

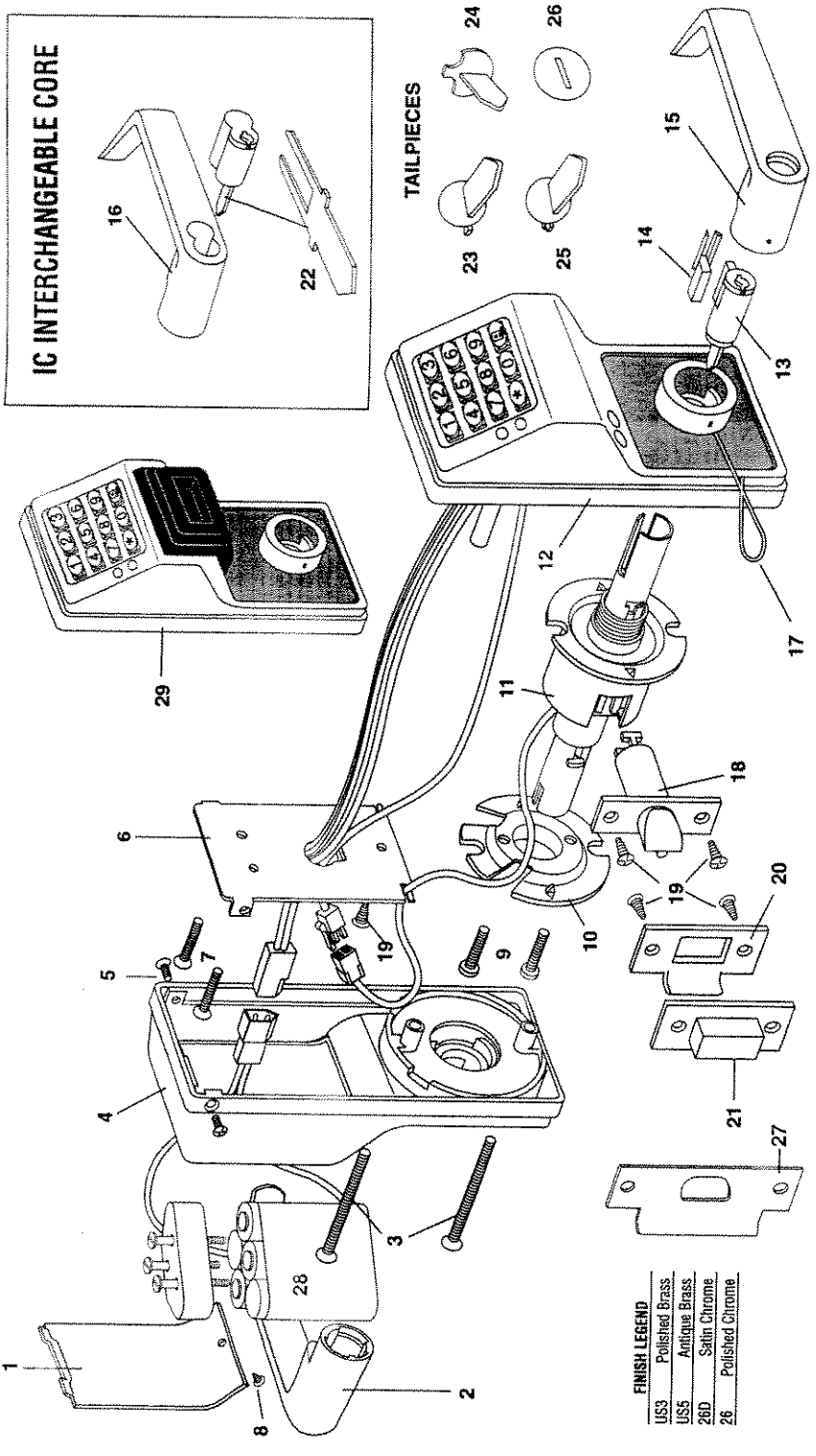
MODEL DL2800 LEVER SETS PARTS LIST

Standard Cylinder and Interchangeable Core Models

| Key Part No. | Description |
|----------------------------------|---|
| 1a | HW592-US3 Battery Cover |
| 1b | HW592-US5 Battery Cover |
| 1c | HW592-26D Battery Cover |
| 1d | HW592-26 Battery Cover |
| 2a | HW615-US3 Inside Lever |
| 2b | HW615-US5 Inside Lever |
| 2c | HW615-26D Inside Lever |
| 2d | HW615-26 Inside Lever |
| Three Bolt/10-32x-1/2", (2) | |
| 3a | SC458-US3 Flat Hd. PH,MS |
| 3b | SC458-US5 Flat Hd. PH,MS |
| 3c | SC458-26D Flat Hd. PH,MS |
| 3f | SC458-26 Flat Hd. PH,MS |
| 4a | S6044-US3 Inside Housing Assy |
| 4b | S6044-US5 Inside Housing Assy |
| 4c | S6044-26D Inside Housing Assy |
| 4d | S6044-26 Inside Housing Assy |
| Inside Mounting Screws (2) | |
| 5a | P1526-US3 #6-32x3/8", Oval Hd |
| 5b | P1526-US5 #6-32x3/8", Oval Hd |
| 5c | P1526-26D #6-32x3/8", Oval Hd |
| 5d | P1526-26 #6-32x3/8", Oval Hd |
| 6 | HW594 Inside Mounting Plate |
| Inside Mounting Plate Screws (2) | |
| 7 | SC459 #8-32 x 1", Flat Hd., PH, MS |
| 8a | P5851-26D #4-40x3/8", Flat Hd., PH, MS |
| 8b | P5851-3 #4-40x3/8", Flat Hd., PH, MS |
| Inside Rose Screws (2) | |
| 9 | SC457 #10-32 x 1", w/#8 Pan Hd., PH, MS |
| 10 | HW564 Inside Rose |
| 11 | S6045 Lock Body Assembly |
| 11a | S6046 IC Lock Body Assembly |
| 12a | S6057-US3 Outside Housing Assy |
| 12b | S6057-US5 Outside Housing Assy |
| 12c | S6057-26D Outside Housing Assy |
| 12d | S6057-26 Outside Housing Assy |
| 13a | HW596-US3 Std. Cylinder Assy |
| 13b | HW596-26D Std. Cylinder Assy |

WI 1122 102

Spring - HW577



FINISH LEGEND

| | |
|-----|-----------------|
| US3 | Polished Brass |
| US5 | Antique Brass |
| 26D | Satin Chrome |
| 26 | Polished Chrome |

| Key Part No. | Description | Key Part No. | Description |
|--------------|-------------------------------------|--------------|--|
| 14 | HW578 Cylinder Retainer | 19c | SC460-26D #8x3/4" Combination screw |
| 15a | HW614-US3 Outside Lever | 19d | SC460-26 #8x3/4" Combination screw |
| 15b | HW614-US5 Outside Lever | 20a | HW577-US3 Strike 2-3/4" x 1-1/8" |
| 15c | HW614-26D Outside Lever | 20b | HW577-US5 Strike 2-3/4" x 1-1/8" |
| 15d | HW614-26 Outside Lever | 20c | HW577-26D Strike 2-3/4" x 1-1/8" |
| 16a | HW616-US3 Outside Lever-IC Core | 20d | HW577-26 Strike 2-3/4" x 1-1/8" |
| 16b | HW616-US5 Outside Lever-IC Core | 21 | P5847 Dust Box |
| 16c | HW616-26D Outside Lever-IC Core | 21 | HW588 IC Tailpiece for Best, Arrow, Falcon |
| 16d | HW616-26 Outside Lever-IC Core | 23 | HW597 Std. Tailpiece |
| 17 | HW618 Lever Release Pin | 24 | HW580 Replacement tailpiece for Schlage |
| 18a | S6034-US3 Latch - 2-3/4" Backset | 25 | HW620 Replacement tailpiece for Lorr |
| 18b | S6034-US5 Latch - 2-3/4" Backset | 26 | WA160 Tailpiece washer for all tailpieces |
| 18c | S6034-26D Latch - 2-3/4" Backset | 27a | HW470-US3 Strike 4-7/8" x 1-1/4" |
| 18d | S6034-26 Latch - 2-3/4" Backset | 27b | HW470-US5 Strike 4-7/8" x 1-1/4" |
| 18e | S6035-US3 Latch - 2-3/8" Backset | 27c | HW470-26D Strike 4-7/8" x 1-1/4" |
| 18f | S6035-US5 Latch - 2-3/8" Backset | 27d | HW470-26 Strike 4-7/8" x 1-1/4" |
| 18g | S6035-26D Latch - 2-3/8" Backset | 28 | S6040 Battery Box Assy |
| 18h | S6035-26 Latch - 2-3/8" Backset | 29 | S6071-US3 Outside housing with Prox. |
| 19a | SC460-US3 #8x3/4" Combination screw | 29 | S6071-US5 Outside housing with Prox. |
| 19b | SC460-US5 #8x3/4" Combination screw | 29 | S6071-26D Outside housing with Prox. |
| | | 29 | S6071-26 Outside housing with Prox. |

MODEL DL 3000WP and MODEL PDL 3000 LEVER SETS PARTS LIST

Standard Cylinder and Interchangeable Core Models

| Item | S Part # | Description | Item | Part # |
|------|-----------|---------------|------|-----------|
| 1a | S6105-US3 | Battery Cover | 1+8 | HW592-US3 |
| 1b | S6105-US5 | Battery Cover | 1+8 | HW592-US5 |
| 1c | S6105-26D | Battery Cover | 1+8 | HW592-26D |
| 1d | S6105-10B | Battery Cover | 1+8 | HW592-10B |
| 2a | S6105-US3 | Inside Lever | | HW615-US3 |
| 2b | S6105-US5 | Inside Lever | | HW615-US5 |
| 2c | S6105-26D | Inside Lever | | HW615-26D |
| 2d | S6105-10B | Inside Lever | | HW615-10B |
| 2e | S6105-10B | Inside Lever | | HW615-10B |

Thin Bolt 10-32x2-1/2", (2)

| | | | | |
|----|-----------|---------------------|-------|-----------|
| 3a | S6104-US3 | Flat Hd. PH.MS | 3-5+9 | SC458-US3 |
| 3b | S6104-US5 | Flat Hd. PH.MS | 3-5+9 | SC458-US5 |
| 3c | S6104-26D | Flat Hd. PH.MS | 3-5+9 | SC458-26D |
| 3d | S6104-10B | Flat Hd. PH.MS | 3-5+9 | SC458-10B |
| 4a | S6044-US3 | Inside Housing Assy | | |
| 4b | S6044-US5 | Inside Housing Assy | | |
| 4c | S6044-26D | Inside Housing Assy | | |
| 4d | S6044-10B | Inside Housing Assy | | |

Inside Mounting Screws (2)

| | | | | |
|----|-----------|-----------------------|-------|-----------|
| 5a | S6104-US3 | #6-32x3/8", Oval Hd | 3-5+9 | P1526-US3 |
| 5b | S6104-US5 | #6-32x3/8", Oval Hd | 3-5+9 | P1526-US5 |
| 5c | S6104-26D | #6-32x3/8", Oval Hd | 3-5+9 | P1526-26D |
| 5d | S6104-10B | #6-32x3/8", Oval Hd | 3-5+9 | P1526-10B |
| 5e | S6104-10B | #6-32x3/8", Oval Hd | 3-5+9 | P1526-10B |
| 6 | S6115 | Inside Mounting Plate | 6+7 | HW594 |

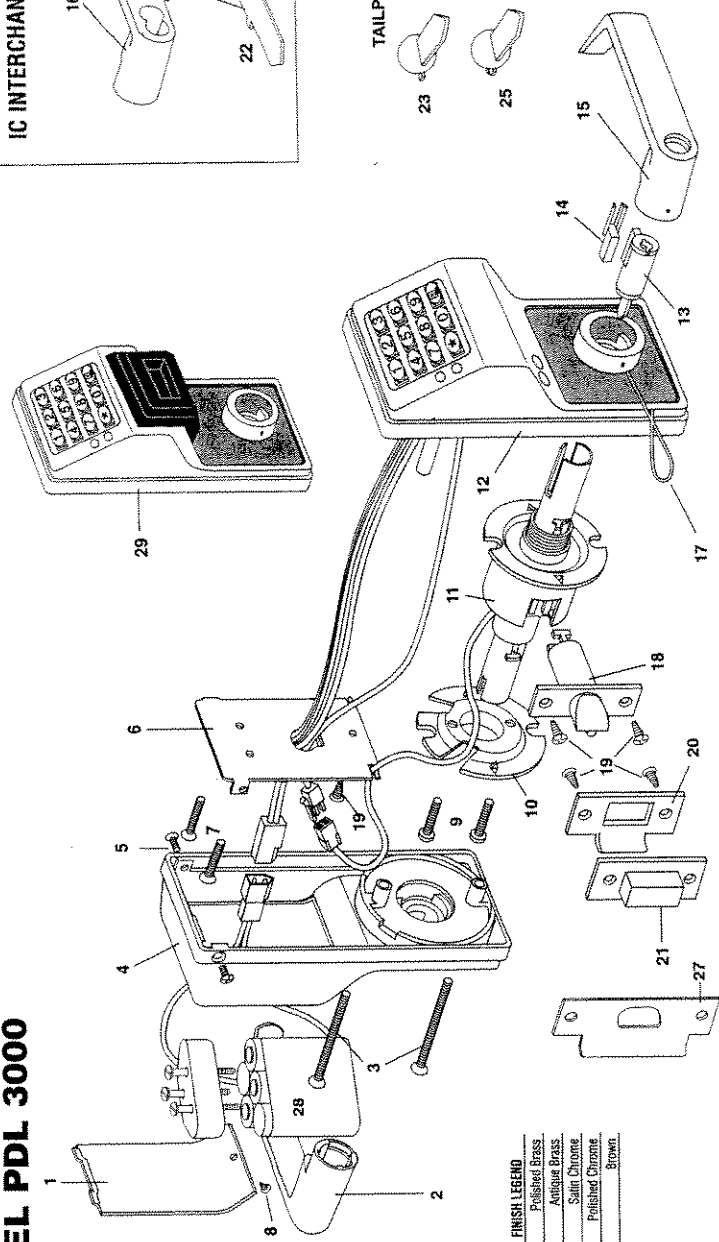
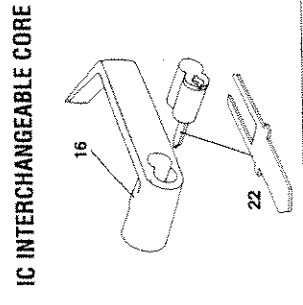
Inside Mounting Plate Screws (2)

| | | | | |
|----|-----------|----------------------------|-----|-----------|
| 7 | S6115 | #6-32 x 1", Flat Hd. PH.MS | 6+7 | SC459 |
| 8a | S6105-US3 | #4-40x1/4", Flat Hd. PH.MS | 1+8 | P5851-US3 |
| 8b | S6105-US5 | #4-40x1/4", Flat Hd. PH.MS | 1+8 | P5851-US5 |
| 8c | S6105-26D | #4-40x1/4", Flat Hd. PH.MS | 1+8 | P5851-26D |
| 8d | S6105-10B | #4-40x1/4", Flat Hd. PH.MS | 1+8 | P5851-10B |
| 8e | S6105-10B | #4-40x1/4", Flat Hd. PH.MS | 1+8 | P5851-10B |

Inside Rise Screws (2)

| | | | | |
|-----|-----------|-------------------------------|-----|-------|
| 9 | S6103 | #10-32 x 1", #8 Pan Hd. PH.MS | 7+9 | SC457 |
| 10 | HW564 | Inside Rise | | |
| 11 | S6045 | Lock Body Assembly | | |
| 11A | S6046 | IC Lock Body Assy | | |
| 12a | S6047-US3 | Outside Housing Assy | | |
| 12b | S6047-US5 | Outside Housing Assy | | |
| 12c | S6047-26D | Outside Housing Assy | | |
| 12d | S6047-10B | Outside Housing Assy | | |
| 12e | S6047-10B | Outside Housing Assy | | |

| | | | | |
|-----|-----------|--------------------|--|-----------|
| 13a | S6111-US3 | Std. Cylinder Assy | | HW596-US3 |
| 13b | S6111-26D | Std. Cylinder Assy | | HW596-26D |
| 14 | HW578 | Cylinder Retainer | | |
| 15a | S6110-US3 | Outside Lever | | HW614-US3 |
| 15b | S6110-26D | Outside Lever | | HW614-26D |
| 15c | S6110-26D | Outside Lever | | HW614-26D |
| 15d | S6110-26 | Outside Lever | | HW614-26 |



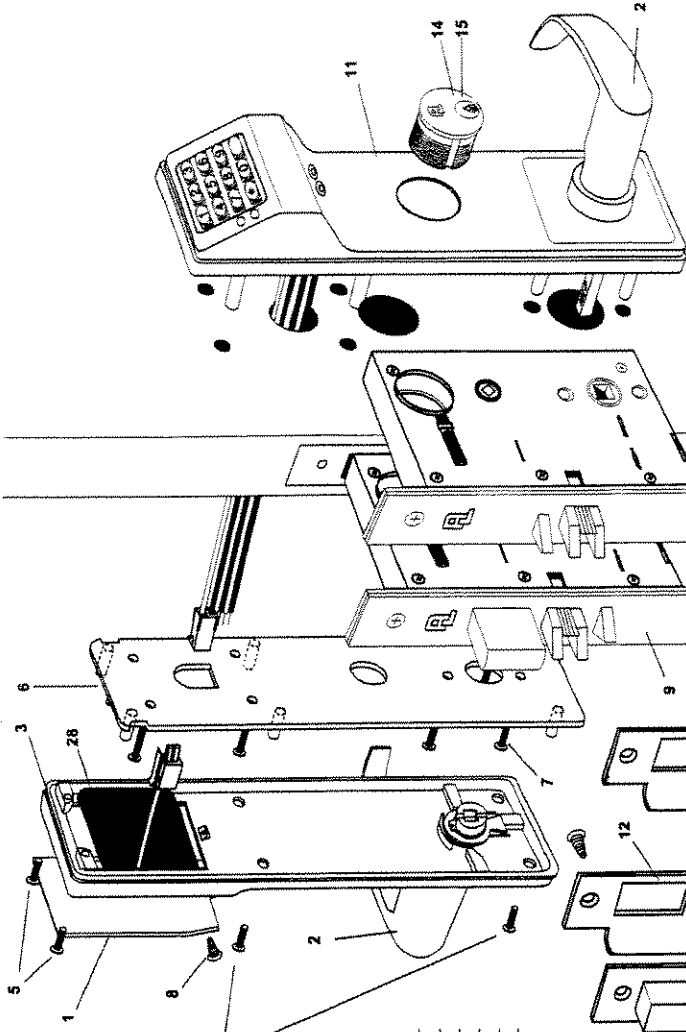
FINISH LEGEND
 US3 Polished Brass
 US5 Antique Brass
 26D Satin Chrome
 26B Polished Chrome
 10B Brown

| Item | S Part # | Description | Item | Part # |
|------|-----------|--------------------------------|-------|-----------|
| 20a | S6114-US3 | Strike 2-3/4" x 1-1/8" | 20+27 | HW577-US3 |
| 20b | S6114-US5 | Strike 2-3/4" x 1-1/8" | 20+27 | HW577-US5 |
| 20c | S6114-26D | Strike 2-3/4" x 1-1/8" | 20+27 | HW577-26 |
| 20d | S6114-10B | Strike 2-3/4" x 1-1/8" | 20+27 | HW577-10B |
| 20e | S6114-10B | Strike 2-3/4" x 1-1/8" | 20+27 | HW577-10B |
| 21 | P5847 | Dust Box | | HW590 |
| 22 | S6070-B | IC Tailpiece-Best Arrow Falcon | | HW597 |
| 23 | S6070-KIL | Std. Tailpiece | | |
| 24 | HW580 | Replace tailpiece-Schlage | | |
| 25 | HW620 | Replace tailpiece-Lori | | |
| 26 | WA160 | Washer for all tailpieces | | |
| 27a | S6114-US3 | Strike 4-7/8" x 1-1/4" | 20+27 | P5846-US3 |
| 27b | S6114-US5 | Strike 4-7/8" x 1-1/4" | 20+27 | P5846-US5 |
| 27c | S6114-26D | Strike 4-7/8" x 1-1/4" | 20+27 | P5846-26D |
| 27d | S6114-10B | Strike 4-7/8" x 1-1/4" | 20+27 | P5846-10B |
| 27e | S6114-10B | Strike 4-7/8" x 1-1/4" | 20+27 | P5846-10B |
| 28 | S6040 | Battery Box Assy | | |
| 29a | S6071-US3 | Outside housing with Prox | | |
| 29b | S6071-US5 | Outside housing with Prox | | |
| 29c | S6071-26D | Outside housing with Prox | | |
| 29d | S6071-26 | Outside housing with Prox | | |
| 29e | S6071-10B | Outside housing with Prox | | |

| Item | S Part # | Description | Item | Part # |
|------|-----------|------------------------|-----------|-----------|
| 15e | S6110-10B | Outside Lever | HW614-10B | |
| 16a | S6107-US3 | Outside Lever-IC Core | HW616-US3 | |
| 16b | S6107-US5 | Outside Lever-IC Core | HW616-US5 | |
| 16c | S6107-26D | Outside Lever-IC Core | HW616-26D | |
| 16d | S6107-26 | Outside Lever-IC Core | HW616-26 | |
| 16e | S6107-10B | Outside Lever-IC Core | HW616-10B | |
| 17 | HW618 | Lever Release Pin | | |
| 18a | S6112-US3 | Latch - 2-3/4" Backset | | |
| 18b | S6112-US5 | Latch - 2-3/4" Backset | | |
| 18c | S6112-26D | Latch - 2-3/4" Backset | | |
| 18d | S6112-26 | Latch - 2-3/4" Backset | | |
| 18e | S6112-10B | Latch - 2-3/4" Backset | | |
| 18a | S6125-US3 | Latch - 2-3/8" Backset | | |
| 18b | S6125-US5 | Latch - 2-3/8" Backset | | |
| 18c | S6125-26D | Latch - 2-3/8" Backset | | |
| 18d | S6125-26 | Latch - 2-3/8" Backset | | |
| 18e | S6125-10B | Latch - 2-3/8" Backset | | |
| 19a | S6104-US3 | #8x3/4" Combo screw | 3-5+19 | SC460-US3 |
| 19b | S6104-US5 | #8x3/4" Combo screw | 3-5+19 | SC460-US5 |
| 19c | S6104-26D | #8x3/4" Combo screw | 3-5+19 | SC460-26D |
| 19d | S6104-26 | #8x3/4" Combo screw | 3-5+19 | SC460-26 |
| 19e | S6104-10B | #8x3/4" Combo screw | 3-5+19 | SC460-10B |

MODEL DL 3500DB & CR (Deadbolt & Classroom Models) PARTS LIST

| Key | S Part # | Description | Key | Part # |
|---|-----------|---------------------------|-------|-----------|
| 1a | S6127-26D | Battery Cover | 1-8 | |
| 1b | S6127-26 | Battery Cover | 1-8 | |
| 1c | S6127-US3 | Battery Cover | 1-8 | |
| 1d | S6127-US5 | Battery Cover | 1-8 | |
| 1e | S6127-26D | Battery Cover | 1-8 | |
| 2a | S6128-26D | In/Out Lever-Straight | | |
| 2b | S6128-26 | In/Out Lever-Straight | | |
| 2c | S6128-US3 | In/Out Lever-Straight | | |
| 2d | S6128-US5 | In/Out Lever-Straight | | |
| 2e | S6128-10B | In/Out Lever-Straight | | |
| 2a | S6129-26D | In/Out Lever-Regal | | |
| 2b | S6129-26 | In/Out Lever-Regal | | |
| 2c | S6129-US3 | In/Out Lever-Regal | | |
| 2d | S6129-US5 | In/Out Lever-Regal | | |
| 2e | S6129-10B | In/Out Lever-Regal | | |
| 3a | S6130-26D | Inside Housing/Ass YDB | | |
| 3b | S6130-26 | Inside Housing/Ass YDB | | |
| 3c | S6130-US3 | Inside Housing/Ass YDB | | |
| 3d | S6130-US5 | Inside Housing/Ass YDB | | |
| 3e | S6130-10B | Inside Housing/Ass YDB | | |
| 3a | S6131-26D | Inside Housing/Ass YCR | | |
| 3b | S6131-26 | Inside Housing/Ass YCR | | |
| 3c | S6131-US3 | Inside Housing/Ass YCR | | |
| 3d | S6131-US5 | Inside Housing/Ass YCR | | |
| 3e | S6131-10B | Inside Housing/Ass YCR | | |
| Mounting Screws (4) | | | | |
| 4a | S6135-26D | #6-32x3/8" Oval Head | 4+6+7 | SC476-26D |
| 4b | S6135-26 | #6-32x3/8" Oval Head | 4+6+7 | SC476-26 |
| 4c | S6135-US3 | #6-32x3/8" Oval Head | 4+6+7 | SC476-US3 |
| 4d | S6135-US5 | #6-32x3/8" Oval Head | 4+6+7 | SC476-US5 |
| 4e | S6135-10B | #6-32x3/8" Oval Head | 4+6+7 | SC476-10B |
| Mounting Screws (2) | | | | |
| 5 | SC478 | #6-32x3/8" Flat Head | 4+5+7 | |
| 6 | SC136 | Inside Mounting Plate | | |
| Inside Mounting Plate Screws (6) | | | | |
| 7 | SC479 | #8-32x1" Flat Hd. PH MS | 4+5+7 | |
| 8a | P5851-26D | #4-40x1/4" Flat Hd. PH MS | 1+8 | |
| 8b | P5851-US3 | #4-40x1/4" Flat Hd. PH MS | 1+8 | |
| Lock Body-Deadbolt (DB) | | | | |
| 9a | S6137-26D | Lock Body-Deadbolt-LH | 9+12 | |
| 9b | S6137-26 | Lock Body-Deadbolt-LH | 9+12 | |
| 9c | S6137-US3 | Lock Body-Deadbolt-LH | 9+12 | |
| 9d | S6137-US5 | Lock Body-Deadbolt-LH | 9+12 | |
| 9e | S6137-10B | Lock Body-Deadbolt-LH | 9+12 | |
| 9a | S6141-26D | Lock Body-Deadbolt-RH | 9+12 | |
| 9b | S6141-26 | Lock Body-Deadbolt-RH | 9+12 | |
| 9c | S6141-US3 | Lock Body-Deadbolt-RH | 9+12 | |
| 9d | S6141-US5 | Lock Body-Deadbolt-RH | 9+12 | |
| 9e | S6141-10B | Lock Body-Deadbolt-RH | 9+12 | |



FINISH LEGEND

| | |
|-----|-----------------|
| US3 | Polished Brass |
| US5 | Anodize Brass |
| 26D | Satin Chrome |
| 26 | Polished Chrome |
| 10B | Brown |

Dust Box
Included
with
lock

| Key | S Part # | Description | Key |
|-----|-----------|----------------------------|----------|
| 13a | S6140-26D | Strike/Face Plate Kit CR | 10+13+15 |
| 13b | S6140-26 | Strike/Face Plate Kit CR | 10+13+15 |
| 13c | S6140-US3 | Strike/Face Plate Kit CR | 10+13+15 |
| 13d | S6140-US5 | Strike/Face Plate Kit CR | 10+13+15 |
| 14a | S6133-26D | Mountise Cyl. Clover Cam | |
| 14b | S6133-26 | Mountise Cyl. Clover Cam | |
| 14c | S6133-US3 | Mountise Cyl. Clover Cam | |
| 14d | S6133-US5 | Mountise Cyl. Clover Cam | |
| 14e | S6133-10B | Mountise Cyl. Clover Cam | |
| 15a | S6134-26D | Mountise Cyl. Straight Cam | |
| 15b | S6134-26 | Mountise Cyl. Straight Cam | |
| 15c | S6134-US3 | Mountise Cyl. Straight Cam | |
| 15d | S6134-US5 | Mountise Cyl. Straight Cam | |
| 15e | S6134-10B | Mountise Cyl. Straight Cam | |
| 16 | S6132 | Battery Pack Assembly | |

| Key | S Part # | Description | Key |
|-----|-----------|--------------------------|---------|
| 11a | S6123-26D | Outside Housing Ass'y | |
| 11b | S6123-26 | Outside Housing Ass'y | |
| 11c | S6123-US3 | Outside Housing Ass'y | |
| 11d | S6123-US5 | Outside Housing Ass'y | |
| 11e | S6123-10B | Outside Housing Ass'y | |
| 12a | S6139-26D | Strike/Face Plate Kit DB | 9+12+14 |
| 12b | S6139-26 | Strike/Face Plate Kit DB | 9+12+14 |
| 12c | S6139-US3 | Strike/Face Plate Kit DB | 9+12+14 |
| 12d | S6139-US5 | Strike/Face Plate Kit DB | 9+12+14 |
| 12e | S6139-10B | Strike/Face Plate Kit DB | 9+12+14 |

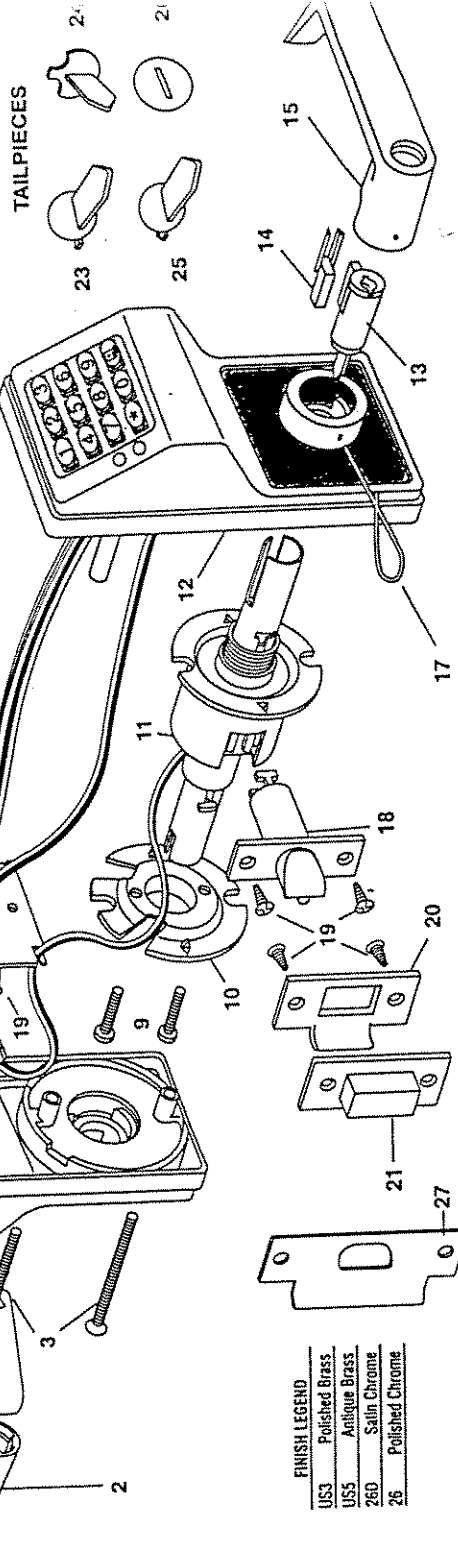
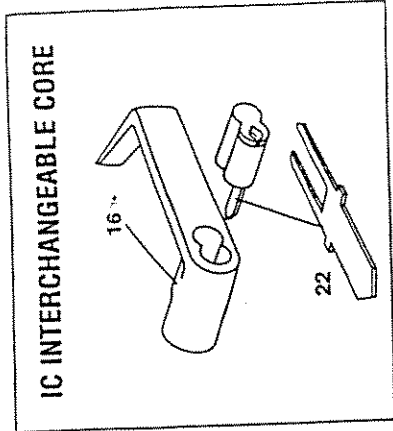
| Key | S Part # | Description | Key |
|-----|-----------|-----------------------|-------|
| 10a | S6138-26D | Lock Body-Deadbolt-LH | 10+13 |
| 10b | S6138-26 | Lock Body-Deadbolt-LH | 10+13 |
| 10c | S6138-US3 | Lock Body-Deadbolt-LH | 10+13 |
| 10d | S6138-US5 | Lock Body-Deadbolt-LH | 10+13 |
| 10e | S6138-10B | Lock Body-Deadbolt-LH | 10+13 |
| 10a | S6142-26D | Lock Body-Deadbolt-RH | 10+13 |
| 10b | S6142-26 | Lock Body-Deadbolt-RH | 10+13 |
| 10c | S6142-US3 | Lock Body-Deadbolt-RH | 10+13 |
| 10d | S6142-US5 | Lock Body-Deadbolt-RH | 10+13 |
| 10e | S6142-10B | Lock Body-Deadbolt-RH | 10+13 |

MODEL DL 2700WP LEVER SETS PARTS LIST

Standard Cylinder and Interchangeable Core Models

| Key Part No. | Description |
|----------------------------------|--|
| 1a | HW592-US3 Battery Cover |
| 1b | HW592-US5 Battery Cover |
| 1c | HW592-26D Battery Cover |
| 1d | HW592-26 Battery Cover |
| 2a | HW615-US3 Inside Lever |
| 2b | HW615-US5 Inside Lever |
| 2c | HW615-26D Inside Lever |
| 2d | HW615-26 Inside Lever |
| Thru Bolt/10-32x2-1/2", (2) | |
| 3a | SC458-US3 Flat Hd., PH, MS |
| 3b | SC458-US5 Flat Hd., PH, MS |
| 3c | SC458-26D Flat Hd., PH, MS |
| 3d | SC458-26 Flat Hd., PH, MS |
| 4a | S6944-US3 Inside Housing Assy |
| 4b | S6944-US5 Inside Housing Assy |
| 4c | S6044-26D Inside Housing Assy |
| 4d | S6044-26 Inside Housing Assy |
| Inside Mounting Screws (2) | |
| 5a | P1526-US3 #6-32x3/8", Oval Hd |
| 5b | P1526-US5 #6-32x3/8", Oval Hd |
| 5c | P1526-26D #6-32x3/8", Oval Hd |
| 5d | P1526-26 #6-32x3/8", Oval Hd |
| 6 | HW594 Inside Mounting Plate |
| Inside Mounting Plate Screws (2) | |
| 7 | SC459 #8-32 x 1", Flat Hd., PH, MS |
| 8a | P5851-26D #4-40x1/4", Flat Hd., PH, MS |
| 8b | P5851-US3 #4-40x1/4", Flat Hd., PH, MS |
| Inside Rose Screws (2) | |
| 9 | SC457 #10-32 x 1", w/1/8 Pan Hd., PH, MS |
| 10 | HW554 Inside Rose |
| 11 | Lock Body Assembly |
| 11A | S6946 IC Lock Body Assembly |
| 12a | S6054-US3 Outside Housing Assy |
| 12b | S6054-US5 Outside Housing Assy |
| 12c | S6054-26D Outside Housing Assy |
| 12d | S6054-26 Outside Housing Assy |

Lever Spring - HW571



FINISH LEGEND

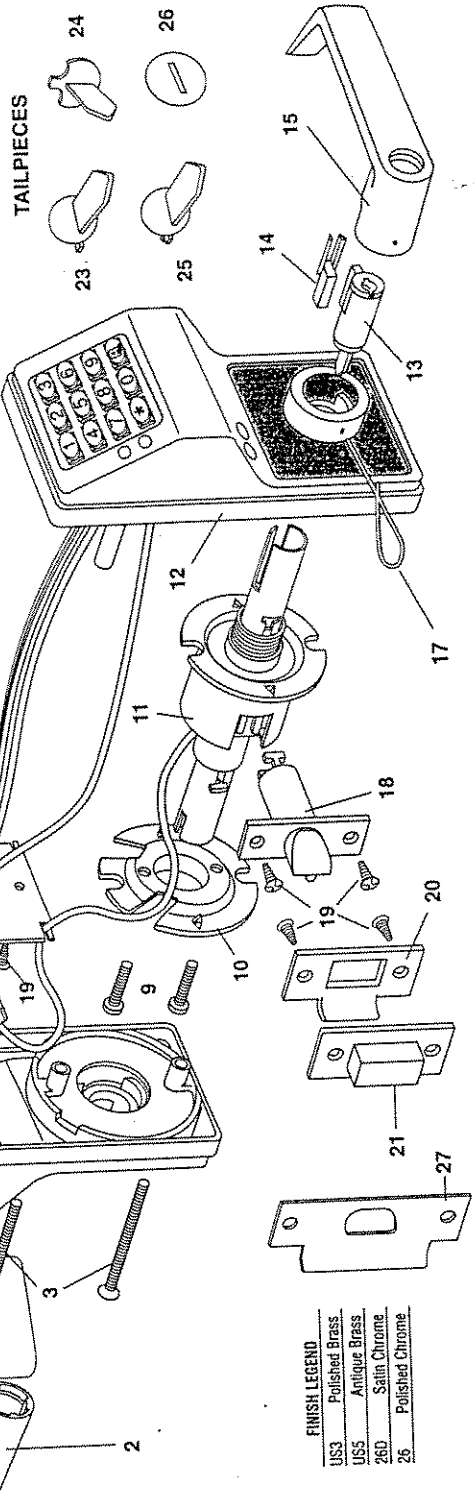
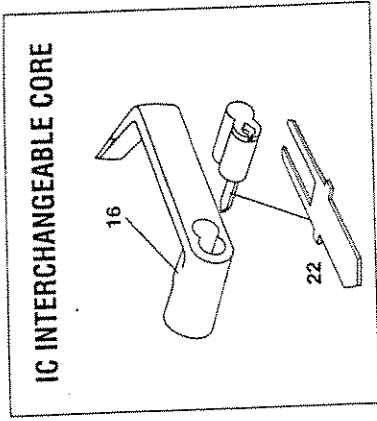
| | |
|-----|-----------------|
| US3 | Polished Brass |
| US5 | Antique Brass |
| 26D | Satin Chrome |
| 26 | Polished Chrome |

| Key Part No. | Description | Key Part No. | Description | Key Part No. | Description |
|--------------|---|--------------|----------------------------------|--------------|--|
| 13a | HW596-US3 Std. Cylinder Assy | 16d | HW616-26 Outside Lever-IC Core | 19a | SC460-US3 #6x3/4" Combination screw |
| 13b | HW596-26D Std. Cylinder Assy | 17 | HW618 Lever Release Pin | 19b | SC460-US5 #8x3/4" Combination screw |
| 14 | HW578 Cylinder Retainer | 18a | S6034-US3 Latch - 2-3/4" Backset | 19c | SC460-26D #8x3/4" Combination screw |
| 15a | HW614-US3 Outside Lever | 18b | S6034-US5 Latch - 2-3/4" Backset | 19d | SC460-26 #8x3/4" Combination screw |
| 15b | HW614-US5 Outside Lever | 18c | S6034-26D Latch - 2-3/4" Backset | 20a | HW577-US3 Strike 2-3/4" x 1-1/8" |
| 15c | HW614-26D Outside Lever | 18d | S6034-26 Latch - 2-3/4" Backset | 20b | HW577-US5 Strike 2-3/4" x 1-1/8" |
| 15d | HW614-26 Outside Lever | 18e | S6035-US3 Latch - 2-3/8" Backset | 20c | HW577-26D Strike 2-3/4" x 1-1/8" |
| 16a | HW616-US3 Outside Lever-IC Core | 18f | S6035-US5 Latch - 2-3/8" Backset | 20d | HW577-26 Strike 2-3/4" x 1-1/8" |
| 16b | HW616-US5 Outside Lever-IC Core | 19g | S6035-26D Latch - 2-3/8" Backset | 21 | P5847 Dust Box |
| 16c | HW616-26D Outside Lever-IC Core | 18h | S6035-26 Latch - 2-3/8" Backset | 22 | HW598 IC Tailpiece for Best, Arrow, Falcon |
| 23 | HW597 Std. Tailpiece | | | | |
| 24 | HW580 Replacement tailpiece for Schage | | | | |
| 25 | HW620 Replacement tailpiece for Lert | | | | |
| 26 | WA160 Tailpiece washer for all tailpieces | | | | |
| 27a | HW470-US3 Strike 4-7/8" x 1-1/4" | | | | |
| 27b | HW470-US5 Strike 4-7/8" x 1-1/4" | | | | |
| 27c | HW470-26D Strike 4-7/8" x 1-1/4" | | | | |
| 27d | HW470-26 Strike 4-7/8" x 1-1/4" | | | | |
| 28 | S6941 Battery Pack Assembly | | | | |

MODEL DL 3000WP LEVER SETS PARTS LIST

Standard Cylinder and Interchangeable Core Models

| Key Part No. | Description |
|----------------------------------|--|
| 1a | HW592-US3 Battery Cover |
| 1b | HW592-US5 Battery Cover |
| 1c | HW592-26D Battery Cover |
| 1d | HW592-26 Battery Cover |
| 2a | HW615-US3 Inside Lever |
| 2b | HW615-US5 Inside Lever |
| 2c | HW615-26D Inside Lever |
| 2d | HW615-26 Inside Lever |
| Three Bolt/70-322-1/2", (2) | |
| 3a | SC458-US3 Flat Hd., PH,MS |
| 3b | SC458-US5 Flat Hd., PH,MS |
| 3c | SC458-26D Flat Hd., PH,MS |
| 3d | SC458-26 Flat Hd., PH,MS |
| 4a | S6044-US3 Inside Housing Assy |
| 4b | S6044-US5 Inside Housing Assy |
| 4c | S6044-26D Inside Housing Assy |
| 4d | S6044-26 Inside Housing Assy |
| Inside Mounting Screws (2) | |
| 5a | P1526-US3 #6-32x3/8", Oval Hd |
| 5b | P1526-US5 #6-32x3/8", Oval Hd |
| 5c | P1526-26D #6-32x3/8", Oval Hd |
| 5d | P1526-26 #6-32x3/8", Oval Hd |
| 6 | HW594 Inside Mounting Plate |
| Inside Mounting Plate Screws (2) | |
| 7 | SC459 #8-32 x 1", Flat Hd., PH, MS |
| 2a | P5851-26D #4-40x1/4", Flat Hd., PH, MS |
| 8b | P5851-3 #4-40x1/4", Flat Hd., PH, MS |
| Inside Rise Screws (2) | |
| 9 | SC457 #10-32 x 1", w/#8 Pan Hd, PH, MS |
| 10 | HW564 Inside Rose |
| 11 | S6045 Lock Body Assembly |
| 11a | S6046 IC Lock Body Assembly |
| 12a | S6047-US3 Outside Housing Assy |
| 12b | S6047-US5 Outside Housing Assy |
| 12c | S6047-26D Outside Housing Assy |
| 12d | S6047-26 Outside Housing Assy |
| 13a | HW596-US3 Std. Cylinder Assy |
| 13b | HW596-26D Std. Cylinder Assy |



FINISH LEGEND

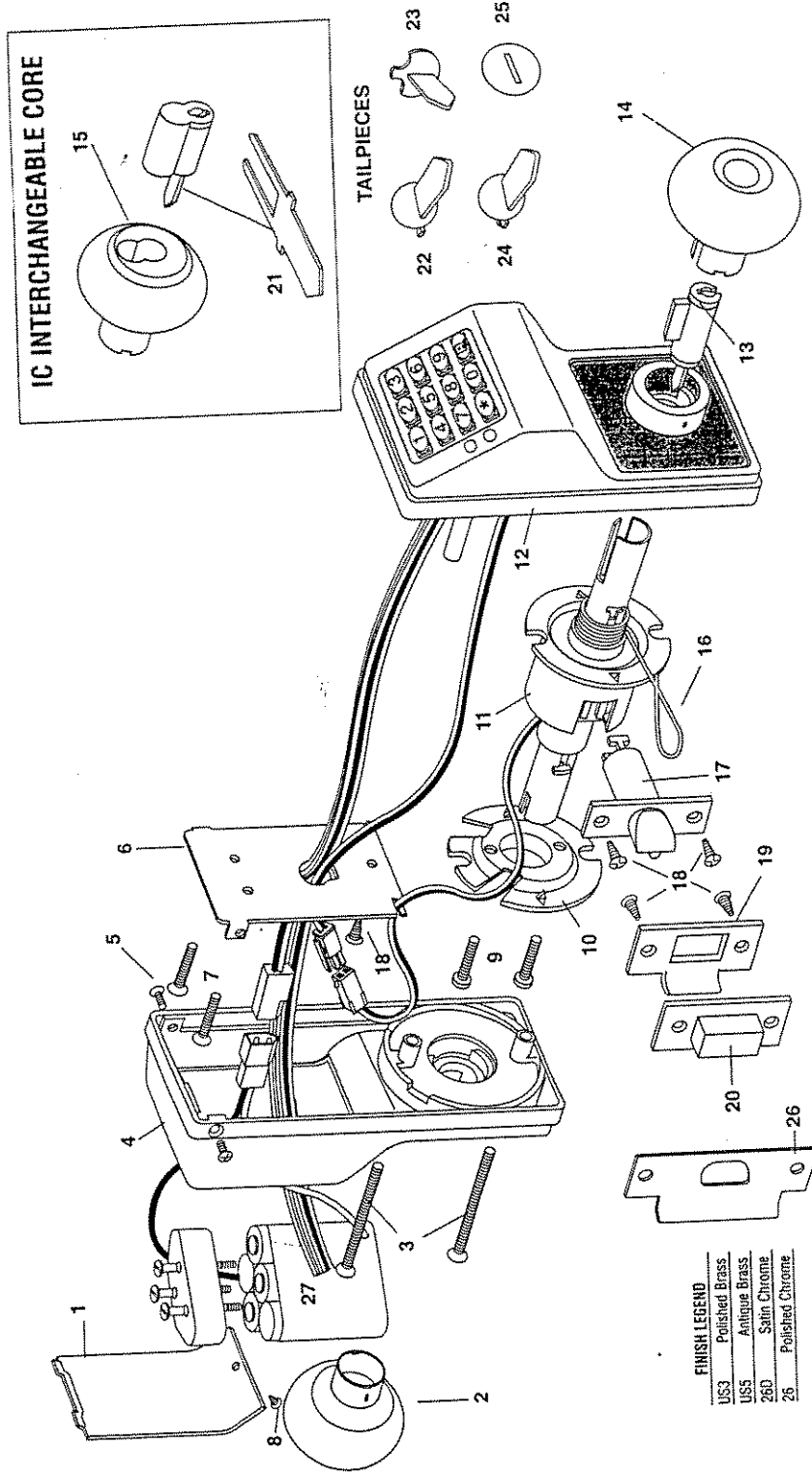
| | |
|-----|-----------------|
| US3 | Polished Brass |
| US5 | Antique Brass |
| 26D | Satin Chrome |
| 26 | Polished Chrome |

| Key Part No. | Description | Key Part No. | Description | Key Part No. | Description |
|--------------|---------------------------------|--------------|-------------------------------------|--------------|--|
| 14 | HW578 Cylinder Retainer | 19a | S6034-US3 Latch - 2-3/4" Backset | 19c | SC460-26D #8x3/4" Combination screw |
| 15a | HW614-US3 Outside Lever | 18b | S6034-US5 Latch - 2-3/4" Backset | 19d | SC460-26 #8x3/4" Combination screw |
| 15b | HW614-26D Outside Lever | 18c | S6034-26D Latch - 2-3/4" Backset | 20a | HW577-US3 Strike 2-3/4" x 1-1/8" |
| 15c | HW614-US3 Outside Lever | 18d | S6034-26 Latch - 2-3/4" Backset | 20b | HW577-US5 Strike 2-3/4" x 1-1/8" |
| 15d | HW614-26 Outside Lever | 18e | S6035-US3 Latch - 2-3/8" Backset | 20c | HW577-26D Strike 2-3/4" x 1-1/8" |
| 16a | HW616-US3 Outside Lever-IC Core | 18f | S6035-US5 Latch - 2-3/8" Backset | 20d | HW577-26 Strike 2-3/4" x 1-1/8" |
| 16b | HW616-US5 Outside Lever-IC Core | 18g | S6035-26D Latch - 2-3/8" Backset | 21 | P5847 Dust Box |
| 16c | HW616-26D Outside Lever-IC Core | 18h | S6035-26 Latch - 2-3/8" Backset | 22 | HW598 IC Tailpiece for Best, Arrow, Falcon |
| 16d | HW616-26 Outside Lever-IC Core | 19a | SC460-US3 #8x3/4" Combination screw | 23 | HW597 Std. Tailpiece |
| 17 | HW618 Lever Release Pin | 19b | SC460-US5 #8x3/4" Combination screw | 24 | HW580 Replacement tailpiece for Schlage |

MODEL DL 2750WP KNOB SET PARTS LIST

Standard Cylinder and Interchangeable Core Models

| Key Part No. | Description |
|----------------------------------|--|
| 1a | HW592-US3 Battery Cover |
| 1b | HW592-US5 Battery Cover |
| 1c | HW592-26D Battery Cover |
| 1d | HW592-26 Inside Knob |
| 2a | S6033-US3 Inside Knob |
| 2b | S6033-US5 Inside Knob |
| 2c | S6033-26D Inside Knob |
| 2d | S6033-26 Inside Knob |
| Thru Bolt/10-32x2-1/2", (2) | |
| 3a | SC458-US3 Flat Hd. PH. MS |
| 3b | SC458-US5 Flat Hd. PH. MS |
| 3c | SC458-26D Flat Hd. PH. MS |
| 3d | SC458-26 Flat Hd. PH. MS |
| 4a | S6037-US3 Inside Housing Ass'y |
| 4b | S6037-US5 Inside Housing Ass'y |
| 4c | S6037-26D Inside Housing Ass'y |
| 4d | S6037-26 Inside Housing Ass'y |
| Inside Mounting Screws (2) | |
| 5a | P1526-US3 #6-32x3/8", Oval Hd |
| 5b | P1526-US5 #6-32x3/8", Oval Hd |
| 5c | P1526-26D #6-32x3/8", Oval Hd |
| 5d | P1526-26 #6-32x3/8", Oval Hd |
| 6 | HWS94 Inside Mounting Plate |
| Inside Mounting Plate Screws (2) | |
| 7 | SC459 #8-32 x 1", Flat Hd., PH. MS |
| 8a | P5851-26D #4-40x1/4", Flat Hd., PH. MS |
| 8b | P5851-US3 #4-40x1/4", Flat Hd., PH. MS |
| Inside Rose Screws (2) | |
| 9 | SC457 #10-32 x 1", w/R Pan Hd., PH. MS |
| 10 | HW584 Inside Rose |
| 11 | S6038 Lock Body Assembly |
| 11a | S6039 IC Lock Body Assembly |
| 12a | S6036-US3 Outside Housing Ass'y |
| 12b | S6036-US5 Outside Housing Ass'y |
| 12c | S6036-26D Outside Housing Ass'y |
| 12d | S6036-26 Outside Housing Ass'y |



| FINISH LEGEND | |
|---------------|-----------------|
| US3 | Polished Brass |
| US5 | Antique Brass |
| 26D | Satin Chrome |
| 26 | Polished Chrome |

| Key Part No. | Description |
|--------------|--------------------------------------|
| 13a | HW736-US3 Std. Cylinder Assembly |
| 13b | HW736-26D Std. Cylinder Assembly |
| 14a | S6031-US3 Outside Knob Assembly |
| 14b | S6031-US5 Outside Knob Assembly |
| 14c | S6031-26D Outside Knob Assembly |
| 14d | S6031-26 Outside Knob Assembly |
| 15a | S6032-US3 Outside Knob-IC Core Ass'y |
| 15b | S6032-US5 Outside Knob-IC Core Ass'y |
| 15c | S6032-26D Outside Knob-IC Core Ass'y |
| 15d | S6032-26 Outside Knob-IC Core Ass'y |

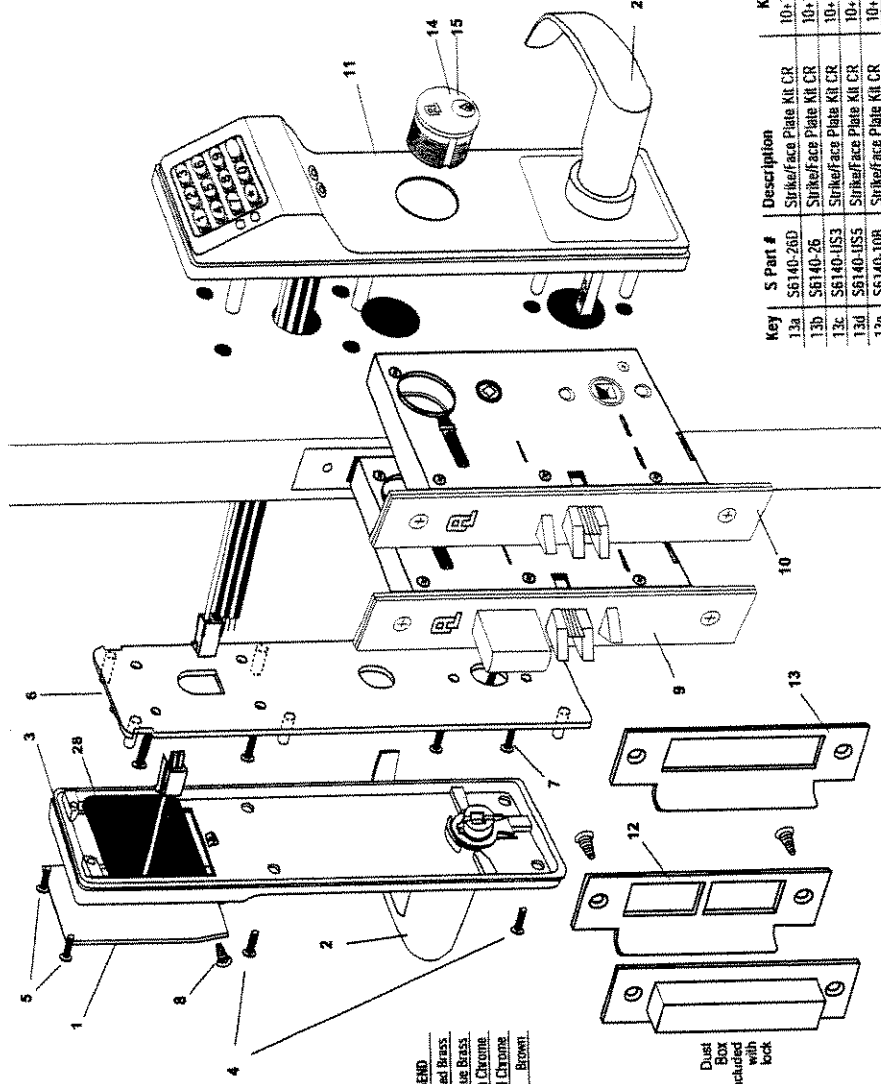
| Key Part No. | Description |
|--------------|----------------------------------|
| 16 | HW618 Knob Release Pin |
| 17a | S6034-US3 Latch - 2-3/4" Backset |
| 17b | S6034-US5 Latch - 2-3/4" Backset |
| 17c | S6034-26D Latch - 2-3/4" Backset |
| 17d | S6034-26 Latch - 2-3/4" Backset |
| 17e | S6035-US3 Latch - 2-3/8" Backset |
| 17f | S6035-US5 Latch - 2-3/8" Backset |
| 17g | S6035-26D Latch - 2-3/8" Backset |
| 17h | S6035-26 Latch - 2-3/8" Backset |

| Key Part No. | Description |
|--------------|--|
| 18a | SC460-US3 #8x3/4" Combination screw |
| 18b | SC460-US5 #8x3/4" Combination screw |
| 18c | SC460-26D #8x3/4" Combination screw |
| 18d | SC460-26 #8x3/4" Combination screw |
| 19a | HW577-US3 Strike 2-3/4" x 1-1/8" |
| 19b | HW577-US5 Strike 2-3/4" x 1-1/8" |
| 19c | HW577-26D Strike 2-3/4" x 1-1/8" |
| 19d | HW577-26 Strike 2-3/4" x 1-1/8" |
| 20 | P5847 Dust Box |
| 21 | HW638 IC Tailpiece for Best, Arrow, Falcon |

| Key Part No. | Description |
|--------------|---|
| 22 | HW597 Std. Tailpiece |
| 23 | HW598 Replacement tailpiece for Schlage |
| 24 | HW620 Replacement tailpiece for Lorr |
| 25 | WA160 Tailpiece washer for all tailpieces |
| 26a | PS846-26D Strike 4-7/8" x 1-1/4" |
| 26b | PS846-US5 Strike 4-7/8" x 1-1/4" |
| 26c | PS846-US3 Strike 4-7/8" x 1-1/4" |
| 26d | PS846-26 Strike 4-7/8" x 1-1/4" |
| 27 | S6040 Battery Pack Ass'y |

MODEL DL 3500DB & CR (DeadBolt & Classroom Models) PARTS LIST

| Key | S Part # | Description | Key | Part # |
|---|-----------|-------------------------------|-------|-----------|
| 1a | S6127-26D | Battery Cover | 1+8 | |
| 1b | S6127-26 | Battery Cover | 1+8 | |
| 1c | S6127-US3 | Battery Cover | 1+8 | |
| 1d | S6127-US5 | Battery Cover | 1+8 | |
| 1e | S6127-26D | Battery Cover | 1+8 | |
| 2a | S6128-26D | In/Out Lever-Straight | | |
| 2b | S6128-26 | In/Out Lever-Straight | | |
| 2c | S6128-US3 | In/Out Lever-Straight | | |
| 2d | S6128-US5 | In/Out Lever-Straight | | |
| 2e | S6128-10B | In/Out Lever-Straight | | |
| 2f | S6129-26D | In/Out Lever-Recptl | | |
| 2g | S6129-26 | In/Out Lever-Recptl | | |
| 2h | S6129-US3 | In/Out Lever-Recptl | | |
| 2i | S6129-US5 | In/Out Lever-Recptl | | |
| 2j | S6129-10B | In/Out Lever-Recptl | | |
| 2k | S6130-26D | Inside Housing Ass YDB | | |
| 2l | S6130-26 | Inside Housing Ass YDB | | |
| 2m | S6130-US3 | Inside Housing Ass YDB | | |
| 2n | S6130-US5 | Inside Housing Ass YDB | | |
| 2o | S6131-26D | Inside Housing Ass YCR | | |
| 2p | S6131-26 | Inside Housing Ass YCR | | |
| 2q | S6131-US3 | Inside Housing Ass YCR | | |
| 2r | S6131-US5 | Inside Housing Ass YCR | | |
| 2s | S6131-10B | Inside Housing Ass YCR | | |
| Mounting Screws (A) | | | | |
| 4a | S6135-26D | #6-32x3/8" Oval Head | 4+6+7 | SC476-26D |
| 4b | S6135-26 | #6-32x3/8" Oval Head | 4+6+7 | SC476-26 |
| 4c | S6135-US3 | #6-32x3/8" Oval Head | 4+6+7 | SC476-US3 |
| 4d | S6135-US5 | #6-32x3/8" Oval Head | 4+6+7 | SC476-US5 |
| 4e | S6135-10B | #6-32x3/8" Oval Head | 4+6+7 | SC476-10B |
| Mounting Screws (Z) | | | | |
| 5 | SC478 | #6-32x3/8" Flat Head | 4+5+7 | |
| 6 | SC136 | Inside Mounting Plate | | |
| Inside Mounting Plate Screws (B) | | | | |
| 7 | SC479 | #8-32x1" Flat Hd. PH. I.M.S | 4+5+7 | |
| 8a | P9851-26D | #4-40x1/4" Flat Hd. PH. I.M.S | 1+8 | |
| 8b | P9851-US3 | #4-40x1/4" Flat Hd. PH. I.M.S | 1+8 | |
| Lock Body-DeadBolt (DB) | | | | |
| 9a | S6137-26D | Lock Body-DeadBolt-LH | 9+12 | |
| 9b | S6137-26 | Lock Body-DeadBolt-LH | 9+12 | |
| 9c | S6137-US3 | Lock Body-DeadBolt-LH | 9+12 | |
| 9d | S6137-US5 | Lock Body-DeadBolt-LH | 9+12 | |
| 9e | S6137-10B | Lock Body-DeadBolt-LH | 9+12 | |
| 9a | S6141-26D | Lock Body-DeadBolt-RH | 9+12 | |
| 9b | S6141-26 | Lock Body-DeadBolt-RH | 9+12 | |
| 9c | S6141-US3 | Lock Body-DeadBolt-RH | 9+12 | |
| 9d | S6141-US5 | Lock Body-DeadBolt-RH | 9+12 | |
| 9e | S6141-10B | Lock Body-DeadBolt-RH | 9+12 | |



| Key | S Part # | Description | Key |
|-----|-----------|----------------------------|----------|
| 13a | S6140-26D | Strike/Face Plate Kit CR | 10+13+15 |
| 13b | S6140-26 | Strike/Face Plate Kit CR | 10+13+15 |
| 13c | S6140-US3 | Strike/Face Plate Kit CR | 10+13+15 |
| 13d | S6140-US5 | Strike/Face Plate Kit CR | 10+13+15 |
| 13e | S6140-10B | Strike/Face Plate Kit CR | 10+13+15 |
| 14a | S6133-26D | Mountise Cyl. Clover Cam | |
| 14b | S6133-26 | Mountise Cyl. Clover Cam | |
| 14c | S6133-US3 | Mountise Cyl. Clover Cam | |
| 14d | S6133-US5 | Mountise Cyl. Clover Cam | |
| 14e | S6133-10B | Mountise Cyl. Clover Cam | |
| 15a | S6134-26D | Mountise Cyl. Straight Cam | |
| 15b | S6134-26 | Mountise Cyl. Straight Cam | |
| 15c | S6134-US3 | Mountise Cyl. Straight Cam | |
| 15d | S6134-US5 | Mountise Cyl. Straight Cam | |
| 15e | S6134-10B | Mountise Cyl. Straight Cam | |
| 16 | S6132 | Battery Pack Assembly | |

| Key | S Part # | Description | Key |
|-----|-----------|--------------------------|---------|
| 11a | S6123-26D | Outside Housing Ass Y | |
| 11b | S6123-26 | Outside Housing Ass Y | |
| 11c | S6123-US3 | Outside Housing Ass Y | |
| 11d | S6123-US5 | Outside Housing Ass Y | |
| 11e | S6123-10B | Outside Housing Ass Y | |
| 12a | S6139-26D | Strike/Face Plate Kit DB | 9+12+14 |
| 12b | S6139-26 | Strike/Face Plate Kit DB | 9+12+14 |
| 12c | S6139-US3 | Strike/Face Plate Kit DB | 9+12+14 |
| 12d | S6139-US5 | Strike/Face Plate Kit DB | 9+12+14 |
| 12e | S6139-10B | Strike/Face Plate Kit DB | 9+12+14 |

| Key | S Part # | Description | Key |
|-----|-----------|-----------------------|-------|
| 10a | S6138-26D | Lock Body-DeadBolt-LH | 10+13 |
| 10b | S6138-26 | Lock Body-DeadBolt-LH | 10+13 |
| 10c | S6138-US3 | Lock Body-DeadBolt-LH | 10+13 |
| 10d | S6138-US5 | Lock Body-DeadBolt-LH | 10+13 |
| 10e | S6138-10B | Lock Body-DeadBolt-LH | 10+13 |
| 10a | S6142-26D | Lock Body-DeadBolt-RH | 10+13 |
| 10b | S6142-26 | Lock Body-DeadBolt-RH | 10+13 |
| 10c | S6142-US3 | Lock Body-DeadBolt-RH | 10+13 |
| 10d | S6142-US5 | Lock Body-DeadBolt-RH | 10+13 |
| 10e | S6142-10B | Lock Body-DeadBolt-RH | 10+13 |

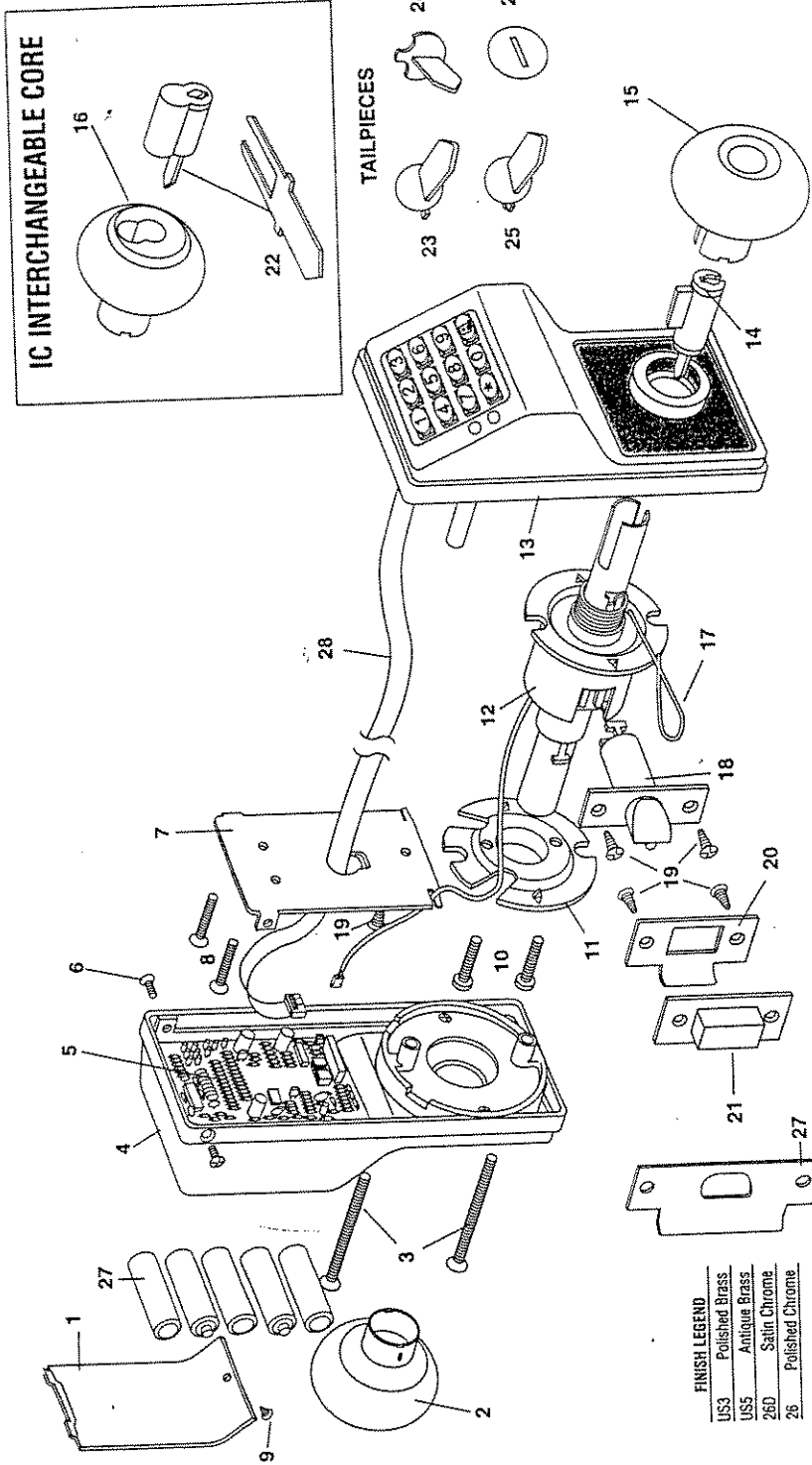
MODEL DL 2750 KNOB SET PARTS LIST

Standard Cylinder and Interchangeable Core Models

| Key Part No. | Description |
|--------------|---------------|
| 1 | Battery Cover |
| 2 | Battery Cover |
| 3 | Battery Cover |
| 4 | Battery Cover |
| 5 | Battery Cover |
| 6 | Battery Cover |
| 7 | Battery Cover |
| 8 | Battery Cover |
| 9 | Battery Cover |
| 10 | Battery Cover |
| 11 | Battery Cover |
| 12 | Battery Cover |
| 13 | Battery Cover |
| 14 | Battery Cover |
| 15 | Battery Cover |
| 16 | Battery Cover |
| 17 | Battery Cover |
| 18 | Battery Cover |
| 19 | Battery Cover |
| 20 | Battery Cover |
| 21 | Battery Cover |
| 22 | Battery Cover |
| 23 | Battery Cover |
| 24 | Battery Cover |
| 25 | Battery Cover |
| 26 | Battery Cover |
| 27 | Battery Cover |
| 28 | Battery Cover |
| 29 | Battery Cover |
| 30 | Battery Cover |
| 31 | Battery Cover |
| 32 | Battery Cover |
| 33 | Battery Cover |
| 34 | Battery Cover |
| 35 | Battery Cover |
| 36 | Battery Cover |
| 37 | Battery Cover |
| 38 | Battery Cover |
| 39 | Battery Cover |
| 40 | Battery Cover |
| 41 | Battery Cover |
| 42 | Battery Cover |
| 43 | Battery Cover |
| 44 | Battery Cover |
| 45 | Battery Cover |
| 46 | Battery Cover |
| 47 | Battery Cover |
| 48 | Battery Cover |
| 49 | Battery Cover |
| 50 | Battery Cover |
| 51 | Battery Cover |
| 52 | Battery Cover |
| 53 | Battery Cover |
| 54 | Battery Cover |
| 55 | Battery Cover |
| 56 | Battery Cover |
| 57 | Battery Cover |
| 58 | Battery Cover |
| 59 | Battery Cover |
| 60 | Battery Cover |
| 61 | Battery Cover |
| 62 | Battery Cover |
| 63 | Battery Cover |
| 64 | Battery Cover |
| 65 | Battery Cover |
| 66 | Battery Cover |
| 67 | Battery Cover |
| 68 | Battery Cover |
| 69 | Battery Cover |
| 70 | Battery Cover |
| 71 | Battery Cover |
| 72 | Battery Cover |
| 73 | Battery Cover |
| 74 | Battery Cover |
| 75 | Battery Cover |
| 76 | Battery Cover |
| 77 | Battery Cover |
| 78 | Battery Cover |
| 79 | Battery Cover |
| 80 | Battery Cover |
| 81 | Battery Cover |
| 82 | Battery Cover |
| 83 | Battery Cover |
| 84 | Battery Cover |
| 85 | Battery Cover |
| 86 | Battery Cover |
| 87 | Battery Cover |
| 88 | Battery Cover |
| 89 | Battery Cover |
| 90 | Battery Cover |
| 91 | Battery Cover |
| 92 | Battery Cover |
| 93 | Battery Cover |
| 94 | Battery Cover |
| 95 | Battery Cover |
| 96 | Battery Cover |
| 97 | Battery Cover |
| 98 | Battery Cover |
| 99 | Battery Cover |
| 100 | Battery Cover |

FINISH LEGEND

| | |
|-----|-----------------|
| US3 | Polished Brass |
| US5 | Antique Brass |
| 26D | Satin Chrome |
| 26 | Polished Chrome |



| Key Part No. | Description |
|--------------|--------------------------------------|
| 13a | S6020-US3 Outside Housing Assy |
| 13b | S6020-US5 Outside Housing Assy |
| 13c | S6020-26D Outside Housing Assy |
| 13d | S6020-26 Outside Housing Assy |
| 14a | HW736-US3 Std. Cylinder Assembly |
| 14b | HW736-26D Std. Cylinder Assembly |
| 15a | S6031-US3 Outside Knob Assembly |
| 15b | S6031-US5 Outside Knob Assembly |
| 15c | S6031-26D Outside Knob Assembly |
| 15d | S6031-26 Outside Knob Assembly |
| 16a | S6032-US3 Outside Knob-I C Core Assy |
| 16b | S6032-US5 Outside Knob-I C Core Assy |
| 16c | S6032-26D Outside Knob-I C Core Assy |
| 16d | S6032-26 Outside Knob-I C Core Assy |
| 17 | HW618 Knob Release Pin |
| 18a | S6034-US3 Latch - 2-3/4" Backset |
| 18b | S6034-US5 Latch - 2-3/4" Backset |
| 18c | S6034-26D Latch - 2-3/4" Backset |
| 18d | S6034-26 Latch - 2-3/4" Backset |
| 19a | S6035-US3 Latch - 2-3/8" Backset |
| 19b | S6035-US5 Latch - 2-3/8" Backset |
| 19c | S6035-26D Latch - 2-3/8" Backset |
| 19d | S6035-26 Latch - 2-3/8" Backset |
| 19e | S6035-US3 Latch - 2-3/8" Backset |
| 19f | S6035-US5 Latch - 2-3/8" Backset |

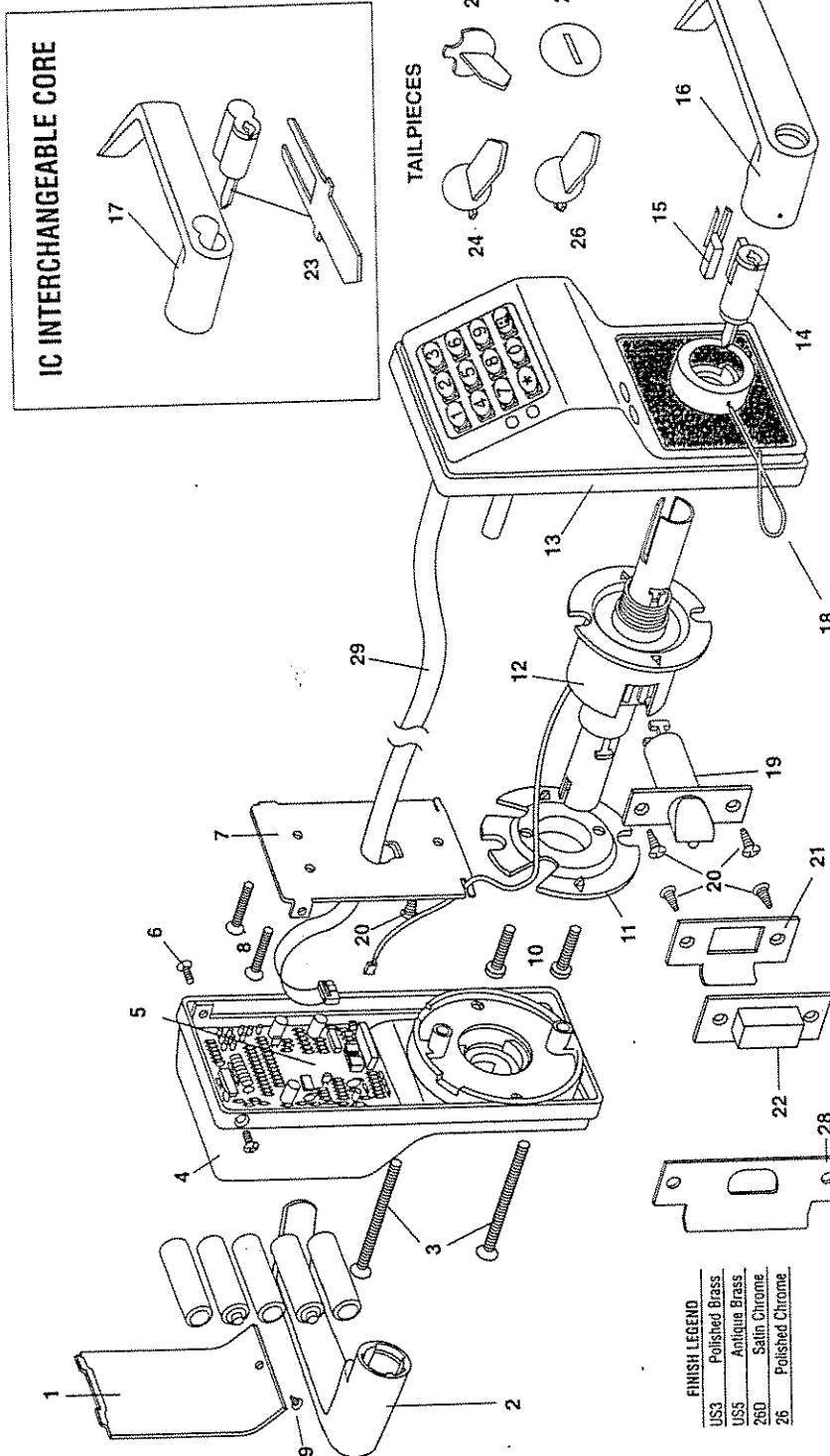
| Key Part No. | Description |
|--------------|-------------------------------------|
| 18g | S6035-26D Latch - 2-3/8" Backset |
| 18h | S6035-26 Latch - 2-3/8" Backset |
| 19a | SC460-US3 #8x3/4" Combination screw |
| 19b | SC460-US5 #8x3/4" Combination screw |
| 19c | SC460-26D #8x3/4" Combination screw |
| 19d | SC460-26 #8x3/4" Combination screw |
| 20a | HW577-US3 Strike 2-3/4" x 1-7/8" |
| 20b | HW577-US5 Strike 2-3/4" x 1-7/8" |
| 20c | HW577-26D Strike 2-3/4" x 1-7/8" |
| 20d | HW577-26 Strike 2-3/4" x 1-7/8" |
| 21 | P5847 Dust Box |

| Key Part No. | Description |
|--------------|---|
| 22 | HW598 IC Tailpiece for Best Arrow, Falcon |
| 23 | HW597 Std. Tailpiece |
| 24 | HW580 Replacement Tailpiece for Schlage |
| 25 | HW620 Replacement Tailpiece for Lof |
| 26 | WA160 Tailpiece washer for all tailpieces |
| 27a | P5846-26D Strike 4-7/8" x 1-1/4" |
| 27b | P5846-US5 Strike 4-7/8" x 1-1/4" |
| 27c | P5846-US3 Strike 4-7/8" x 1-1/4" |
| 27d | P5846-26 Strike 4-7/8" x 1-1/4" |
| 28 | W279 Ribbon Cable Assy |

MODEL DL 3000 LEVER SETS PARTS LIST

Standard Cylinder and Interchangeable Core Models

| Key Part No. | Description |
|--------------|--|
| 1a | HW592-US3 Battery Cover |
| 1b | HW592-US5 Battery Cover |
| 1c | HW592-26D Battery Cover |
| 1d | HW592-26 Battery Cover |
| 2a | HW615-US3 Inside Lever |
| 2b | HW615-US5 Inside Lever |
| 2c | HW615-26D Inside Lever |
| 2d | HW615-26 Inside Lever |
| 3 | THRU Bolt 10-32x2-1/2", (2) |
| 3a | SC458-US3 Flat Hd. PH. MS |
| 3b | SC458-US5 Flat Hd. PH. MS |
| 3c | SC458-26D Flat Hd. PH. MS |
| 3d | SC458-26 Flat Hd. PH. MS |
| 4 | S6059-US3 Inside Housing Assy w/PC Board |
| 4a | S6059-US5 Inside Housing Assy w/PC Board |
| 4c | S6059-26D Inside Housing Assy w/PC Board |
| 4d | S6059-26 Inside Housing Assy w/PC Board |
| 4e | S6044-US3 Inside Housing Assy, less PC Board |
| 4f | S6044-US5 Inside Housing Assy, less PC Board |
| 4g | S6044-26D Inside Housing Assy, less PC Board |
| 4h | S6044-26 Inside Housing Assy, less PC Board |
| 5 | S6053 PC Board Assembly |
| 5a | PC Board Assembly |
| 6a | P1526-US3 #6-32x3/8", Oval Hd |
| 6b | P1526-US5 #6-32x3/8", Oval Hd |
| 6c | P1526-26D #6-32x3/8", Oval Hd |
| 6d | P1526-26 #6-32x3/8", Oval Hd |
| 7 | HW594 Inside Mounting Plate |
| 8 | SC459 #8-32 x 1", Flat Hd. PH. MS |
| 9a | P5851-26D #4-40x1/4", Flat Hd. PH. MS |
| 9b | P5851-3 #4-40x1/4", Flat Hd. PH. MS |
| 10 | SC457 #10-32 x 1", w/8 Part Hd. PH. MS |
| 11 | HW564 Inside Rose |
| 12 | S6014 Lock Body Assembly |
| 12A | S6015 IC Lock Body Assembly |
| 13a | S6048-US3 Outside Housing Assy |
| 13b | S6048-US5 Outside Housing Assy |
| 13c | S6048-26D Outside Housing Assy |
| 13d | S6048-28 Outside Housing Assy |



| FINISH | DESCRIPTION |
|--------|-----------------|
| US3 | Polished Brass |
| US5 | Antique Brass |
| 26D | Salts Chrome |
| 26 | Polished Chrome |

| Key Part No. | Description | Key Part No. | Description | Key Part No. | Description |
|--------------|---|--------------|-------------------------------------|--------------|--|
| 14a | HW596-US3 Std. Cylinder Assy | 18 | HW618 Lever Release Pin | 20c | SC460-26D #8x3/4" Combination screw |
| 14b | HW596-26D Std. Cylinder Assy | 19a | S6034-US3 Latch - 2-3/4" Backset | 20d | SC460-26 #8x3/4" Combination screw |
| 15 | HW578 Cylinder Retainer | 19b | S6034-US5 Latch - 2-3/4" Backset | 21a | HW577-US3 Strike 2-3/4" x 1-1/8" |
| 16a | HW614-US3 Outside Lever | 19c | S6034-26D Latch - 2-3/4" Backset | 21b | HW577-US5 Strike 2-3/4" x 1-1/8" |
| 16b | HW614-US5 Outside Lever | 19d | S6034-26 Latch - 2-3/4" Backset | 21c | HW577-26D Strike 2-3/4" x 1-1/8" |
| 16c | HW614-26D Outside Lever | 19e | S6035-US3 Latch - 2-3/8" Backset | 21d | HW577-26 Strike 2-3/4" x 1-1/8" |
| 16d | HW614-26 Outside Lever | 19f | S6035-US5 Latch - 2-3/8" Backset | 22 | P5847 Dust Box |
| 17a | HW616-US3 Outside Lever-IC Core | 19g | S6035-26D Latch - 2-3/8" Backset | 23 | HW598 IC Tailpiece for Best Arrow Falcon |
| 17b | HW616-US5 Outside Lever-IC Core | 19h | S6035-26 Latch - 2-3/8" Backset | 24 | HW597 Std. Tailpiece |
| 17c | HW616-26D Outside Lever-IC Core | 20a | SC460-US3 #8x3/4" Combination screw | 25 | HW580 Replacement tailpiece for Schlage |
| 17d | HW616-26 Outside Lever-IC Core | 20b | SC460-US5 #8x3/4" Combination screw | 26 | HW620 Replacement tailpiece for Lort |
| 27 | WA160 Tailpiece washer for all tailpieces | | | | |
| 28a | HW470-US3 Strike 4-7/8" x 1-1/4" | | | | |
| 28b | HW470-US5 Strike 4-7/8" x 1-1/4" | | | | |
| 28c | HW470-26D Strike 4-7/8" x 1-1/4" | | | | |
| 28d | HW470-26 Strike 4-7/8" x 1-1/4" | | | | |
| 29 | W280 Ribbon Cable Assy | | | | |