

# Product Catalog & Price List

Innovative | Best Price | Designed in the USA

---





**“ A Company doesn’t last for 135 years by standing still. It endures by reinventing itself, always striving to satisfy its customers, and by winning in the marketplace.**



That’s the story of CCL Security Products®. We started as a Cabinet Lock company, and 35 years later invented the first resettable brass padlock... *and we’ve never stopped innovating.*

Over the last few years, we have expanded our offering with new Laminated Padlocks, Door Rekeyable Padlocks, LFIC Padlocks, IC Padlocks, KIK Padlocks, Storage Locks, Mailbox Locks, IC Cabinet Locks and TSA Accepted Locks. We have continued to grow our channel development in Retail Hardware, Luggage, Industrial, Security Distribution and Contract Hardware.

***We won’t stand still, and we will always challenge ourselves to continue to create new and smart locks for you, the customer.***



Since 1882, CCL has been a manufacturer and supplier of Padlocks, Cabinet Door Locks, Desk Drawer Locks, Cam Locks, Electrical Panel Board Locks, Enclosure Locks and other specialty lock products. CCL is also



known as the originator of the Sesamee Brand 4-wheel combination lock. In 1987 CCL was purchased by The Eastern Company. The Eastern Company was founded in 1858 and is a manufacturer of industrial hardware, security products and metal castings. It operates from locations in the U.S., Canada, Mexico, Taiwan and China. The diversity of the Company’s products enables it to respond to the changing requirements of a broad array of markets.



# Contents

**Laminated  
Padlocks**  
pages 4-6



**Rekeyable  
Padlocks**  
pages 7-13



**Safety  
Lockout  
Padlocks**  
pages 14-17



**IC  
Padlocks**  
pages 18-22



**Storage  
Locks**  
page 23



**Pin Tumbler  
Padlocks**  
pages 24-26



**Resettable  
Padlocks**  
pages 27-30



**Heavy Duty  
Padlocks  
& Discus**  
pages 31-33



**TSA Travel  
Locks**  
pages 34-39



**Cam Locks**  
pages 40-55



**Drawer & Cabinet  
Locks**  
pages 56-61



**SFIC &  
Key-In-Knob  
Cabinet  
Locks**  
pages 62-63



**Draw Pull  
Catches**  
pages 64-67



**Enclosure  
Locks**  
pages 68-69



**Handles**  
pages 70-73



**Sliding Door  
Locks**  
pages 74-75



**Special  
Purpose  
Locks**  
pages 76



**Accessories** pages 77-80  
**Displays** page 81



# DIY



43110

- Commercial grade padlock features superior protection from drilling and prying
- Laminated steel body for superior strength
- Hardened Alloy shackle for superior cut resistance
- Dual locking ball bearing provides extra pry resistance
- Non-rekeyable, 4-pin cylinder helps prevent picking
- Product of Taiwan;
- designed in Wheeling, Illinois
- 4-pin brass cylinder in M1 Keyway
- 420 series is equal to 1, 3, 5 and 7 series
- **Key Blank No.: 430-KB-4PIN-M2 (430 series)**
- **Key Blank No.: 430-KB-4PIN-M1 (420/430 series)**

**Best Used For:**

- Industrial, Storefront & Business Gates
- Tool Cribs
- Construction Sites & Equipment
- Job Boxes & Gang Boxes

**Made to Order:**

- If ordering a Made to Order Key Code please allow for 6 week delivery time
- Made to Order Laminated are ordered with Model Stock# – Code i.e. (43320-A386)

## 430 Series Laminated Padlocks

Compares to #1,#3,#5 & #7 Laminated Locks

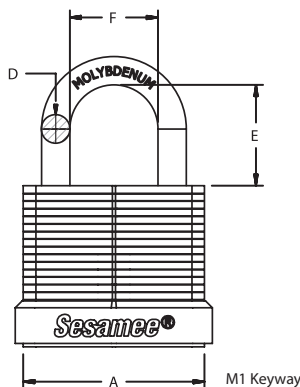
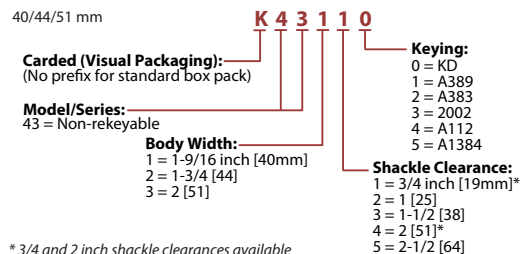
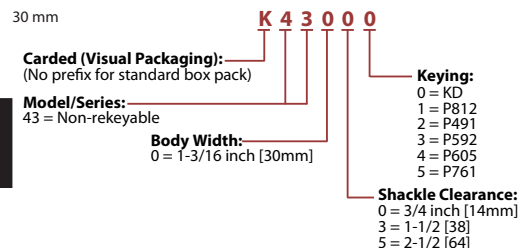
Part#	UPC Code	Shackle Clearance	Keyed	Body Width	Master Lock Part#	Packaging	Shelf Pack	MSRP
<b>Stock Items 48 Hour Shipping:</b>								
<b>K43000</b>	021919003555	9/16"	KD	1-3/16"	#7d	Carded	6	\$7.69
<b>43000</b>	021919430009	9/16"	KD	1-3/16"	#7KD	Box	6	\$7.69
<b>43001</b>	021919430016	9/16"	KA1-P812	1-3/16"	#7KA-p812	Box	6	\$7.69
<b>43002</b>	021919430023	9/16"	KA2-P491	1-3/16"	#7KA-P491	Box	6	\$7.69
<b>43003</b>	021919430030	9/16"	KA3-P592	1-3/16"	#7KA-P592	Box	6	\$7.69
<b>43004</b>	021919430047	9/16"	KA4-P605	1-3/16"	#7KA-P605	Box	6	\$7.69
<b>43005</b>	021919430054	9/16"	KA5-P761	1-3/16"	#7KA-P761	Box	6	\$7.69
<b>K43030</b>	021919003562	1-1/2"	KD	1-3/16"	#7LFd	Carded	6	\$9.89
<b>43030</b>	021919430306	1-1/2"	KD	1-3/16"	#7LF	Box	6	\$9.89
<b>43031</b>	021919430313	1-1/2"	KA1-P812	1-3/16"	#7LF KA-p812	Box	6	\$9.89
<b>43032</b>	021919430320	1-1/2"	KA2-P491	1-3/16"	#7LF KA-P491	Box	6	\$9.89
<b>43033</b>	021919430337	1-1/2"	KA3-P592	1-3/16"	#7LF KA-P592	Box	6	\$9.89
<b>43034</b>	021919430344	1-1/2"	KA4-P605	1-3/16"	#7LF KA-P605	Box	6	\$9.89
<b>43035</b>	021919430351	1-1/2"	KA5-P761	1-3/16"	#7LF KA-P761	Box	6	\$9.89
<b>K43050</b>	021919003579	2-1/2"	KD	1-3/16"	#7LJd	Carded	6	\$10.99
<b>43050</b>	021919430504	2-1/2"	KD	1-3/16"	#7LJ	Box	6	\$10.99
<b>43051</b>	021919430511	2-1/2"	KA1-P812	1-3/16"	#7LJ KA-p812	Box	6	\$10.99
<b>43052</b>	021919430528	2-1/2"	KA2-P491	1-3/16"	#7LJ KA-P491	Box	6	\$10.99
<b>43053</b>	021919430535	2-1/2"	KA3-P592	1-3/16"	#7LJ KA-P592	Box	6	\$10.99
<b>43054</b>	021919430542	2-1/2"	KA4-P605	1-3/16"	#7LJ KA-P605	Box	6	\$10.99
<b>43055</b>	021919430559	2-1/2"	KA5-P761	1-3/16"	#7LJ KA-P761	Box	6	\$10.99
<b>K43110</b>	021919003586	3/4"	KD	1-9/16"	#3d	Carded	6	\$9.89
<b>43110</b>	021919431105	3/4"	KD	1-9/16"	#3	Box	6	\$9.89
<b>43111</b>	021919431112	3/4"	KA1-A389	1-9/16"	#3KA-A389	Box	6	\$9.89
<b>43112</b>	021919431129	3/4"	KA2-A383	1-9/16"	#3KA-A383	Box	6	\$9.89
<b>43113</b>	021919431136	3/4"	KA3-2002	1-9/16"	#3KA-2002	Box	6	\$9.89
<b>43114</b>	021919431143	3/4"	KA4-A112	1-9/16"	#3KA-A112	Box	6	\$9.89
<b>43115</b>	021919431150	3/4"	KA5-A1384	1-9/16"	#3KA-A1384	Box	6	\$9.89
<b>K43130</b>	021919003593	1-1/2"	KD	1-9/16"	#3LFD	Carded	6	\$12.65
<b>43130</b>	021919431303	1-1/2"	KD	1-9/16"	#3LF	Box	6	\$12.65
<b>43131</b>	021919431310	1-1/2"	KA1-A389	1-9/16"	#3LF KA-A389	Box	6	\$12.65
<b>43132</b>	021919431327	1-1/2"	KA2-A383	1-9/16"	#3LF KA-A383	Box	6	\$12.65
<b>43133</b>	021919431334	1-1/2"	KA3-2002	1-9/16"	#3LF KA-2002	Box	6	\$12.65
<b>43134</b>	021919431341	1-1/2"	KA4-A112	1-9/16"	#3LF KA-A112	Box	6	\$12.65
<b>43135</b>	021919431358	1-1/2"	KA5-A1384	1-9/16"	#3LF KA-A1384	Box	6	\$12.65
<b>K43140</b>	021919003609	2"	KD	1-9/16"	#3LHd	Carded	6	\$13.75
<b>43140</b>	021919431402	2"	KD	1-9/16"	#3LH	Box	6	\$13.75
<b>43141</b>	021919431419	2"	KA1-A389	1-9/16"	#3LH KA-A389	Box	6	\$13.75
<b>43142</b>	021919431426	2"	KA2-A383	1-9/16"	#3LH KA-A383	Box	6	\$13.75
<b>43143</b>	021919431433	2"	KA3-2002	1-9/16"	#3LH KA-2002	Box	6	\$13.75
<b>43144</b>	021919431440	2"	KA4-A112	1-9/16"	#3LH KA-A112	Box	6	\$13.75
<b>43145</b>	021919431457	2"	KA5-A1384	1-9/16"	#3LH KA-A1384	Box	6	\$13.75



## 430 Series Laminated Padlocks, *continued*

Compares to #1, #3, #5 & #7 Laminated Locks

Part#	UPC Code	Shackle Clearance	Keyed	Body Width	Master Lock Part#	Packaging	Shelf Pack	MSRP
K43220	021919003616	1"	KD	1-3/4"	#1d	Carded	6	\$12.10
43220	021919432201	1"	KD	1-3/4"	#1	Box	6	\$12.10
43221	021919432218	1"	KA1-A389	1-3/4"	#1 KA-A389	Box	6	\$12.10
43222	021919432225	1"	KA2-A383	1-3/4"	#1 KA-A383	Box	6	\$12.10
43223	021919432232	1"	KA3-2002	1-3/4"	#1 KA-2002	Box	6	\$12.10
43224	021919432249	1"	KA4-A112	1-3/4"	#1 KA-A112	Box	6	\$12.10
43225	021919432256	1"	KA5-A1384	1-3/4"	#1 KA-A1384	Box	6	\$12.10
K43230	021919003623	1-1/2"	KD	1-3/4"	#1LFd	Carded	6	\$13.20
43230	021919432300	1-1/2"	KD	1-3/4"	#1LF	Box	6	\$13.20
43231	021919432317	1-1/2"	KA1-A389	1-3/4"	#1LF KA-A389	Box	6	\$13.20
43232	021919432324	1-1/2"	KA2-A383	1-3/4"	#1LF KA-A383	Box	6	\$13.20
43233	021919432331	1-1/2"	KA3-2002	1-3/4"	#1LF KA-2002	Box	6	\$13.20
43234	021919432348	1-1/2"	KA4-A112	1-3/4"	#1LF KA-A112	Box	6	\$13.20
43235	021919432355	1-1/2"	KA5-A1384	1-3/4"	#1LF KA-A1384	Box	6	\$13.20
K43250	021919003630	2-1/2"	KD	1-3/4"	#1LJd	Carded	6	\$14.30
43250	021919432508	2-1/2"	KD	1-3/4"	#1LJ	Box	6	\$14.30
43251	021919432515	2-1/2"	KA1-A389	1-3/4"	#1LJ KA-A389	Box	6	\$14.30
43252	021919432522	2-1/2"	KA2-A383	1-3/4"	#1LJ KA-A383	Box	6	\$14.30
43253	021919432539	2-1/2"	KA3-2002	1-3/4"	#1LJ KA-2002	Box	6	\$14.30
43254	021919432546	2-1/2"	KA4-A112	1-3/4"	#1LJ KA-A112	Box	6	\$14.30
43255	021919432553	2-1/2"	KA5-A1384	1-3/4"	#1LJ KA-A1384	Box	6	\$14.30
K43320	021919003647	1"	KD	2"	#5d	Carded	6	\$15.40
43320	021919433208	1"	KD	2"	#5	Box	6	\$15.40
43321	021919433215	1"	KA1-A389	2"	#5 KA-A389	Box	6	\$15.40
43322	021919433222	1"	KA2-A383	2"	#5 KA-A383	Box	6	\$15.40
43323	021919433239	1"	KA3-2002	2"	#5 KA-2002	Box	6	\$15.40
43324	021919433246	1"	KA4-A112	2"	#5 KA-A112	Box	6	\$15.40
43325	021919433253	1"	KA5-A1384	2"	#5 KA-A1384	Box	6	\$15.40
K43330	021919003654	1-1/2"	KD	2"	#5LFD	Carded	6	\$16.50
43330	021919433307	1-1/2"	KD	2"	#5LF	Box	6	\$16.50
43331	021919433314	1-1/2"	KA1-A389	2"	#5LF KA-A389	Box	6	\$16.50
43332	021919433321	1-1/2"	KA2-A383	2"	#5LF KA-A383	Box	6	\$16.50
43333	021919433338	1-1/2"	KA3-2002	2"	#5LF KA-2002	Box	6	\$16.50
43334	021919433345	1-1/2"	KA4-A112	2"	#5LF KA-A112	Box	6	\$16.50
43335	021919433352	1-1/2"	KA5-A1384	2"	#5LF KA-A1384	Box	6	\$16.50
K43350	021919003661	2-1/2"	KD	2"	#5LJd	Carded	6	\$17.60
43350	021919433505	2-1/2"	KD	2"	#5LJ	Box	6	\$17.60
43351	021919433512	2-1/2"	KA1-A389	2"	#5LH KA-A389	Box	6	\$17.60
43352	021919433529	2-1/2"	KA2-A383	2"	#5LH KA-A383	Box	6	\$17.60
43353	021919433536	2-1/2"	KA3-2002	2"	#5LH KA-2002	Box	6	\$17.60
43354	021919433543	2-1/2"	KA4-A112	2"	#5LH KA-A112	Box	6	\$17.60
43355	021919433550	2-1/2"	KA5-A1384	2"	#5LH KA-A1384	Box	6	\$17.60



Part#	Body Width (A)	D	E	F	pins (pc)
43000-43005	1-3/16" [30mm]	3/16" [5mm]	9/16" [14mm]	9/16" [14mm]	4
43030-43035	1-3/16" [30mm]	3/16" [5mm]	1-1/2" [38mm]	9/16" [14mm]	4
43050-43055	1-3/16" [30mm]	3/16" [5mm]	2-1/2" [64mm]	9/16" [14mm]	4
43110-43115	1-9/16" [40mm]	1/4" [6.3mm]	3/4" [19mm]	4/5" [20mm]	4
43130-43135	1-9/16" [40mm]	1/4" [6.3mm]	1-1/2" [38mm]	4/5" [20mm]	4
43140-43145	1-9/16" [40mm]	1/4" [6.3mm]	2" [51mm]	4/5" [20mm]	4
43220-43225	1-3/4" [44mm]	5/16" [7mm]	1" [25mm]	5/6" [21.5mm]	4
43230-43235	1-3/4" [44mm]	5/16" [7mm]	1-1/2" [38mm]	5/6" [21.5mm]	4
43250-43255	1-3/4" [44mm]	5/16" [7mm]	2-1/2" [64mm]	5/6" [21.5mm]	4
43320-43325	2" [51mm]	3/8" [8.8mm]	1" [25mm]	15/16" [24mm]	4
43330-43335	2" [51mm]	3/8" [8.8mm]	1-1/2" [38mm]	15/16" [24mm]	4
43350-43355	2" [51mm]	3/8" [8.8mm]	2-1/2" [64mm]	15/16" [24mm]	4

# DIY

## 450 Series Weather Covered Padlocks

Compares to 311 Laminated Locks



45110-Black



45110-Silver



45110-Blue



45110-Red



45110-Green



45110-Yellow



45110-Orange

**K 4 5 1 0 0**

**Carded (Visual Packaging):**  
(No prefix for standard box pack)

**Model/Series:**  
45 = Non-rekeyable/Weather Covered

**Body Width:**  
1 = 1-3/4 inch [44mm]

**Keying:**

- 0 = KD
- 1 = A389
- 2 = A383
- 3 = 2002
- 4 = A112
- 5 = A1384

**Shackle Clearance:**

- 1 = 3/4 inch [19mm]
- 3 = 1-1/2 [38]
- 4 = 2 [51]

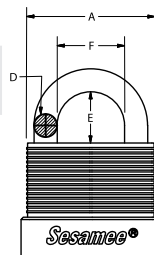
- Laminated lock body with quality plating
- Hardened steel shackle with chrome plating and PVC cover
- Anti-bumping, anti-picking, anti-drilling cylinder
- 4-pin brass cylinder in M1 Keyway
- Quality PVC cover to protect surface and is available in 9 colors
- Sliding plastic bottom plate to protect keyway
- Dual steel ball locking mechanism
- Two keys provided per lock
- Product of Taiwan; designed in Wheeling, Illinois
- **Key Blank No.: 430-KB-4PIN-M1**

Part#	UPC Codes	Shackle Clearance	Keyed	Body Width	Packaging	Shelf Pack	Master Pack	MSRP
-------	-----------	-------------------	-------	------------	-----------	------------	-------------	------

**Stock Items 48 Hour Shipping:**

<b>K45110</b>	021919451103	3/4" [19mm]	KD	1-3/4" [44mm]	Card	6	36	\$13.19
<b>45110</b>	021919002312	3/4" [19mm]	KD	1-3/4" [44mm]	Box	6	36	\$13.19
<b>45111</b>	021919002329	3/4" [19mm]	KA-A389	1-3/4" [44mm]	Box	6	36	\$13.19
<b>45112</b>	021919002343	3/4" [19mm]	KA-A383	1-3/4" [44mm]	Box	6	36	\$13.19
<b>45113</b>	021919002305	3/4" [19mm]	KA-2002	1-3/4" [44mm]	Box	6	36	\$13.19
<b>45114</b>	021919002299	3/4" [19mm]	KA-A112	1-3/4" [44mm]	Box	6	36	\$13.19
<b>45115</b>	021919002336	3/4" [19mm]	KA-A1384	1-3/4" [44mm]	Box	6	36	\$13.19
<b>K45130</b>	021919451301	1-1/2"[38mm]	KD	1-3/4" [44mm]	Card	6	36	\$15.95
<b>45130</b>	021919002732	1-1/2"[38mm]	KD	1-3/4" [44mm]	Box	6	36	\$15.95
<b>45131</b>	021919002749	1-1/2"[38mm]	KA-A389	1-3/4" [44mm]	Box	6	36	\$15.95
<b>45132</b>	021919002763	1-1/2"[38mm]	KA-A383	1-3/4" [44mm]	Box	6	36	\$15.95
<b>45133</b>	021919002725	1-1/2"[38mm]	KA-2002	1-3/4" [44mm]	Box	6	36	\$15.95
<b>45134</b>	021919002718	1-1/2"[38mm]	KA-A112	1-3/4" [44mm]	Box	6	36	\$15.95
<b>45135</b>	021919002756	1-1/2"[38mm]	KA-A1384	1-3/4" [44mm]	Box	6	36	\$15.95
<b>K45140</b>	021919451400	2" [51mm]	KD	1-3/4" [44mm]	Card	6	36	\$17.05
<b>45140</b>	021919003159	2" [51mm]	KD	1-3/4" [44mm]	Box	6	36	\$17.05
<b>45141</b>	021919003166	2" [51mm]	KA-A389	1-3/4" [44mm]	Box	6	36	\$17.05
<b>45142</b>	021919003180	2" [51mm]	KA-A383	1-3/4" [44mm]	Box	6	36	\$17.05
<b>45143</b>	021919003142	2" [51mm]	KA-2002	1-3/4" [44mm]	Box	6	36	\$17.05
<b>45144</b>	021919003135	2" [51mm]	KA-A112	1-3/4" [44mm]	Box	6	36	\$17.05
<b>45145</b>	021919003173	2" [51mm]	KA-A1384	1-3/4" [44mm]	Box	6	36	\$17.05

Part#	Dimension (mm)			
	A	D	E	F
45110-15	45mm	8.1mm	19mm	18mm
45130-35	45mm	8.1mm	38mm	18mm
45140-45	45mm	8.1mm	51mm	18mm



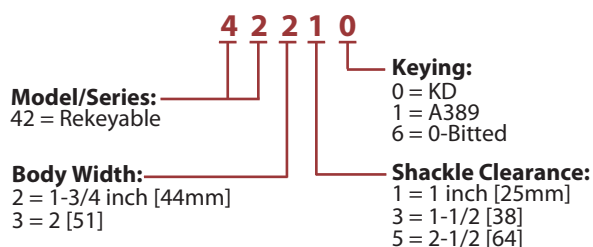
Stock color is Black. For additional color add the color after the Part Number when ordering i.e. 45110-Red

For additional Body widths please contact factory.



## 420 Series Rekeyable Padlocks

Compares to #21, #25 Rekeyable Laminated Locks



- Commercial grade padlock features superior protection from drilling and prying
- Laminated steel body for superior strength
- Hardened alloy shackle for superior cut resistance
- Dual locking ball bearing providing extra pry resistance
- Rekeyable, 4-pin cylinder helps prevent picking
- Drilled 5 pinned 4
- Popular M-1 Keyway

- Product of Taiwan; designed in Wheeling, Illinois
- Key Blank No.: 430-KB-4PIN-M1 (420/430 series)**
- Key Blank No.: 420-KB-5PIN-M16 (420 series)**

### Best Used For:

- Industrial, Storefront & Business Gates
- Tool Cribs
- Construction Sites & Equipment
- Job Boxes & Gang Boxes



42210



Part#	Shackle Clearance	Keyed	Body Width	Number of Pins	Packaging	Shelf Pack	MSRP
-------	-------------------	-------	------------	----------------	-----------	------------	------

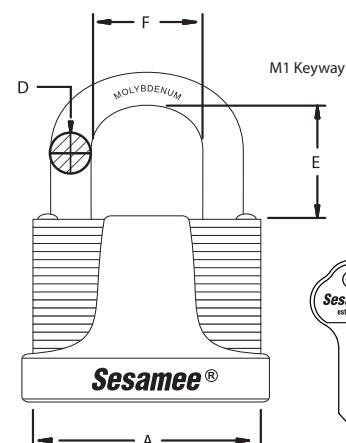
### Stock Items 48 Hour Shipping:

42210	1" [25mm]	KD	1-3/4" [44mm]	4	Box	6	\$18.43
42211	1" [25mm]	KA1-A389	1-3/4" [44mm]	4	Box	6	\$18.43
42216	1" [25mm]	KA6-ZERO	1-3/4" [44mm]	4	Box	6	\$18.43
42230	1-1/2 [38mm]	KD	1-3/4" [44mm]	4	Box	6	\$20.08
42231	1-1/2 [38mm]	KA1-A389	1-3/4" [44mm]	4	Box	6	\$20.08
42236	1-1/2 [38mm]	KA6-ZERO	1-3/4" [44mm]	4	Box	6	\$20.08
42250	2-1/2" [64mm]	KD	1-3/4" [44mm]	4	Box	6	\$23.38
42251	2-1/2" [64mm]	KA1-A389	1-3/4" [44mm]	4	Box	6	\$23.38
42256	2-1/2" [64mm]	KA6-ZERO	1-3/4" [44mm]	4	Box	6	\$23.38
42310	1" [25mm]	KD	2" [51mm]	4	Box	6	\$22.28
42311	1" [25mm]	KA1-A389	2" [51mm]	4	Box	6	\$22.28
42316	1" [25mm]	KA6-ZERO	2" [51mm]	4	Box	6	\$22.28
42330	1-1/2" [38mm]	KD	2" [51mm]	4	Box	6	\$23.93
42331	1-1/2" [38mm]	KA1-A389	2" [51mm]	4	Box	6	\$23.93
42336	1-1/2" [38mm]	KA6-ZERO	2" [51mm]	4	Box	6	\$23.93
42350	2-1/2" [64mm]	KD	2" [51mm]	4	Box	6	\$25.58
42351	2-1/2" [64mm]	KA1-A389	2" [51mm]	4	Box	6	\$25.58
42356	2-1/2" [64mm]	KA6-ZERO	2" [51mm]	4	Box	6	\$25.58

### Accessories

KK420	Laminated Rekeyable Pinning Service Kit	\$440.00
-------	---	----------

Part#	Body Width (A)	D	E	F	pins (pc)
42210-42216	1-3/4" [44mm]	5/16" [7mm]	1" [25mm]	3/4" [19mm]	4
42230-42236	1-3/4" [44mm]	5/16" [7mm]	1-1/2" [38mm]	3/4" [19mm]	4
42250-42256	1-3/4" [44mm]	5/16" [7mm]	2-1/2" [64mm]	3/4" [19mm]	4
42310-42316	2" [51mm]	3/8" [8.8mm]	1" [25mm]	15/16" [24mm]	4
42330-42336	2" [51mm]	3/8" [8.8mm]	1-1/2" [38mm]	15/16" [24mm]	4
42350-42356	2" [51mm]	3/8" [8.8mm]	2-1/2" [64mm]	15/16" [24mm]	4





# DIY



83451



## Brass Rekeyable Door Compatible Lock

Part#	UPC Code	Shackle Clearance	Shackle Diameter	Keyed	Body Width	# of Pins	Packaging	Shelf Pack	MSRP
-------	----------	-------------------	------------------	-------	------------	-----------	-----------	------------	------

**Stock Items 48 Hour Shipping:**

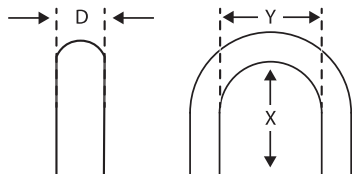
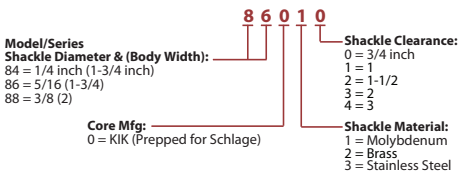
<b>83451-W/O</b>	021919003678	1" [25mm]	5/16" [7.93mm]	Less Cylinder	1-3/4" [45mm]	W/O	Box	6	\$29.40
<b>83451-SCHLAGE</b>	021919003685	1" [25mm]	5/16" [7.93mm]	0-bitted	1-3/4" [45mm]	6/5	Box	6	\$31.50
<b>83451-YALE</b>	021919003739	1" [25mm]	5/16" [7.93mm]	0-bitted	1-3/4" [45mm]	6/5	Box	6	\$31.50
<b>83451-KWIK</b>	021919003852	1" [25mm]	5/16" [7.93mm]	0-bitted	1-3/4" [45mm]	6/5	Box	6	\$31.50
<b>83501-W/O</b>	021919003692	1" [25mm]	3/8" [8.8mm]	Less Cylinder	2" [50mm]	W/O	Box	6	\$36.75
<b>83501-SCHLAGE</b>	021919003708	1" [25mm]	3/8" [8.8mm]	0-bitted	2" [50mm]	6/5	Box	6	\$38.85
<b>83501-YALE</b>	021919003746	1" [25mm]	3/8" [8.8mm]	0-bitted	2" [50mm]	6/5	Box	6	\$38.85
<b>83501-KWIK</b>	021919003869	1" [25mm]	3/8" [8.8mm]	0-bitted	2" [50mm]	6/5	Box	6	\$38.85
<b>Cylinder: 83331</b>	021919003715			0-bitted Schlage			Box	12	\$13.13

- Double Ball Bearing Locking Mechanism
- Quality Chrome Plated Alloy Shackle
- Easy Change to KR with Set Screw Included with each Padlock
- Brass Lock Body
- Cylinder features Anti-Bumping and Anti-Picking Pin Tumbler Brass Cylinder
- Made in Taiwan; Designed in USA

**Lock comes Standard in Schlage C® keyway. For other keyways please specify after part number. Please check with Factory for keyways available.**

## Replacement Shackles\*

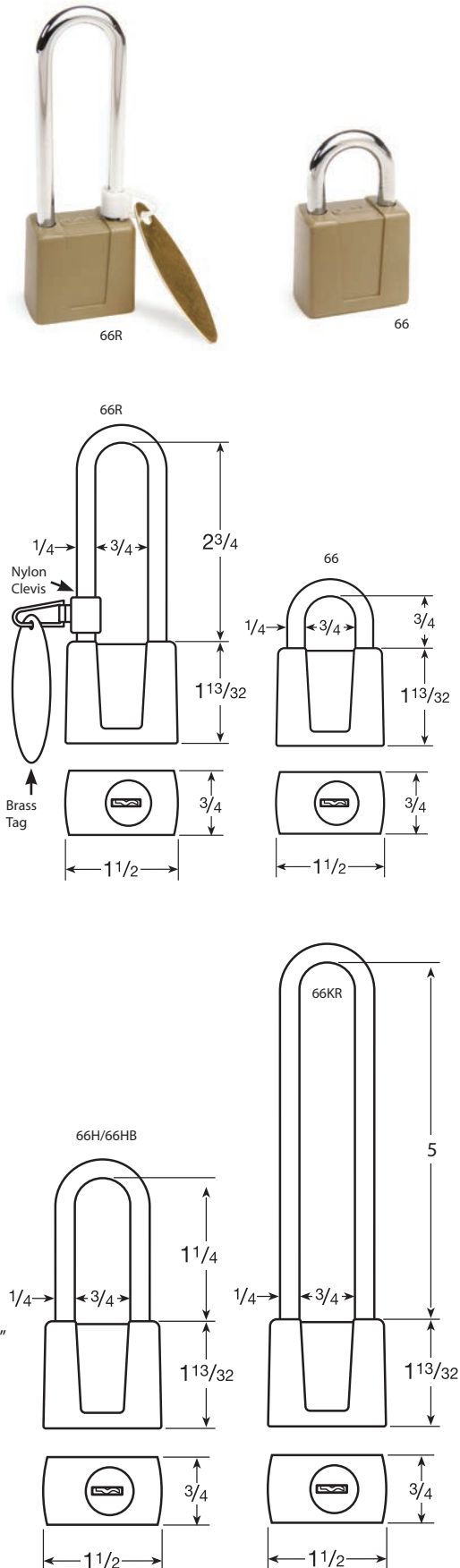
Suitable for Padlock	D	X	Y	Part#	Material	Finish	MSRP
Alloy Shackle	5/16"	3/4"	3/4"	<b>99510</b>	Moly	Chrome	\$5.50
Alloy Shackle	5/16"	1"	3/4"	<b>99511</b>	Moly	Chrome	\$6.60
Alloy Shackle	5/16"	1-1/2"	3/4"	<b>99512</b>	Moly	Chrome	\$7.70
Alloy Shackle	5/16"	2"	3/4"	<b>99513</b>	Moly	Chrome	\$8.80
Alloy Shackle	5/16"	3"	3/4"	<b>99514</b>	Moly	Chrome	\$9.90
Alloy Shackle	5/16"	4"	3/4"	<b>99515</b>	Moly	Chrome	\$11.00
Brass Shackle	5/16"	3/4"	3/4"	<b>99520</b>	Brass	Brass	\$6.05
Brass Shackle	5/16"	1"	3/4"	<b>99521</b>	Brass	Brass	\$7.15
Brass Shackle	5/16"	1-1/2"	3/4"	<b>99522</b>	Brass	Brass	\$8.25
Brass Shackle	5/16"	2"	3/4"	<b>99523</b>	Brass	Brass	\$9.35
Brass Shackle	5/16"	3"	3/4"	<b>99524</b>	Brass	Brass	\$10.45
Brass Shackle	5/16"	4"	3/4"	<b>99525</b>	Brass	Brass	\$11.55
Stainless Steel Shackle	5/16"	3/4"	3/4"	<b>99530</b>	Stainless	Stainless	\$6.05
Stainless Steel Shackle	5/16"	1"	3/4"	<b>99531</b>	Stainless	Stainless	\$7.15
Stainless Steel Shackle	5/16"	1-1/2"	3/4"	<b>99532</b>	Stainless	Stainless	\$8.25
Stainless Steel Shackle	5/16"	2"	3/4"	<b>99533</b>	Stainless	Stainless	\$9.35
Stainless Steel Shackle	5/16"	3"	3/4"	<b>99534</b>	Stainless	Stainless	\$10.45
Stainless Steel Shackle	5/16"	4"	3/4"	<b>99535</b>	Stainless	Stainless	\$11.55



\*560-760-860-83/45

## 66 | 66R | 66KR Padlocks Disc Tumbler Rekeyable

Part#	Shackle Clearance	Keyed	Body Width	Number of Discs	MFT PT #	Shelf Pack	Shelf Pack Weight lbs/oz	MSRP
<b>Stock Items 48 Hour Shipping:</b>								
66	3/4"	KA CAT 60	1-1/2"	5	00094	10	4/0	\$11.00
66	3/4"	KD AUE	1-1/2"	6	03060	10	4/0	\$11.00
66	3/4"	KD & MK M8003	1-1/2"	6	00103	10	4/0	\$11.55
66	3/4"	KA CAT15	1-1/2"	5	00091	10	4/0	\$11.00
66	3/4"	KA CAT30	1-1/2"	5	00092	10	4/0	\$11.00
66	3/4"	KA AUE1	1-1/2"	6	00090	10	4/0	\$11.00
66	3/4"	KA AUE50	1-1/2"	6	00093	10	4/0	\$11.00
K66	3/4"	KD AUE	1-1/2"	6	00088	8	4/0	\$12.10
<b>Made-To-Order Items:</b>								
66	3/4"		1-1/2"	5/6				\$13.34
66H	1-1/4"		1-1/2"	5/6				\$16.98
66HB*	1-1/4"		1-1/2"	5/6				\$16.98
66K	5"		1-1/2"	5/6				\$16.98
66P	2-3/4"		1-1/2"	5/6				\$16.98
Master Keying Charge								\$4.62
<b>Stock Items 48 Hour Shipping:</b>								
66R	2-3/4"	KD AUE	1-1/2"	6	00096	10	4/5	\$14.30
66R	2-3/4"	KD & MK M8003	1-1/2"	6	00098	10	4/5	\$15.40
66R	2-3/4"	KA AUE1	1-1/2"	6	00097	10	4/5	\$14.30
66KR	5"	KD AUE	1-1/2"	6	00099	10	4/5	\$15.40
66KR	5"	KD & MK M8003	1-1/2"	6	00101	10	4/5	\$17.60
66KR	5"	KA AUE1	1-1/2"	6	00100	10	4/5	\$14.30
<b>Made-To-Order Items:</b>								
66R	2-3/4"		1-1/2"	5/6				\$13.95
66KR	5"		1-1/2"	5/6				\$15.16
Clevis & Ring					398F779			\$1.21
Tag					171F252			\$1.21
Master Keying Charge								\$4.62

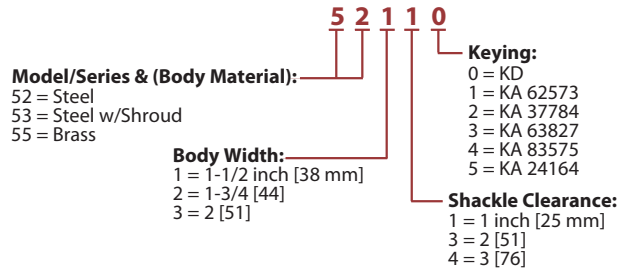


\* 66H available with breakable shackle for emergency entry. Specify on order using suffix "B" (e.g., 66HB)

- Material:** Solid pressure cast, textured military green matte finish. Hardened steel, chrome plated shackle.
- Key Blank No.:** 5865-JVR (5 Disc), 8658-JVR (6 Disc)
- Regular Key Changes:** 200 (5 Disc), 700 (6 Disc)
- Master Keying Key Changes:** 180 (5 Disc), 700 (6 Disc)
- Master Keying:** Available when specified on order
- Chain:** Available with 2217N steel chain assembly, 9" chain. Specify on order suffix "C" (e.g., 66C).
- Stock Items:** Made in Taiwan
- Made-To-Order Items:** Made in the USA

# Commercial

## 500 Series Steel Rekeyable AM3 Keyway



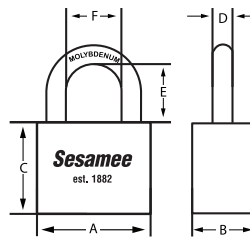
Part#	UPC Code	Body Material	Body Width inch/mm	Shackle Clearance inch/mm	KA/KD	Dimensions						Package	Shelf Pack	Master Pack	MSRP
						A	B	C	D	E	F				
52110	021919521103	Steel	1-1/2" [38mm]	1" [25mm]	KD	40	19	46	6.3	25	20	Box	6	30	\$22.00
52111	021919521110	Steel	1-1/2" [38mm]	1" [25mm]	KA1 - 62573	40	19	46	6.3	25	20	Box	6	30	\$22.00
52112	021919521127	Steel	1-1/2" [38mm]	1" [25mm]	KA2 - 37784	40	19	46	6.3	25	20	Box	6	30	\$22.00
52113	021919521134	Steel	1-1/2" [38mm]	1" [25mm]	KA3 - 63827	40	19	46	6.3	25	20	Box	6	30	\$22.00
52114	021919521141	Steel	1-1/2" [38mm]	1" [25mm]	KA4 - 83575	40	19	46	6.3	25	20	Box	6	30	\$22.00
52115	021919521158	Steel	1-1/2" [38mm]	1" [25mm]	KA5 - 24164	40	19	46	6.3	25	20	Box	6	30	\$22.00
52130	021919521301	Steel	1-1/2" [38mm]	2" [51mm]	KD	40	19	46	6.3	51	20	Box	6	30	\$23.10
52131	021919521318	Steel	1-1/2" [38mm]	2" [51mm]	KA1 - 62573	40	19	46	6.3	51	20	Box	6	30	\$23.10
52132	021919521325	Steel	1-1/2" [38mm]	2" [51mm]	KA2 - 37784	40	19	46	6.3	51	20	Box	6	30	\$23.10
52133	021919521332	Steel	1-1/2" [38mm]	2" [51mm]	KA3 - 63827	40	19	46	6.3	51	20	Box	6	30	\$23.10
52134	021919521349	Steel	1-1/2" [38mm]	2" [51mm]	KA4 - 83575	40	19	46	6.3	51	20	Box	6	30	\$23.10
52135	021919521356	Steel	1-1/2" [38mm]	2" [51mm]	KA5 - 24164	40	19	46	6.3	51	20	Box	6	30	\$23.10
52140	021919521400	Steel	1-1/2" [38mm]	3" [76mm]	KD	40	19	46	6.3	76	20	Box	6	30	\$24.20
52141	021919521417	Steel	1-1/2" [38mm]	3" [76mm]	KA1 - 62573	40	19	46	6.3	76	20	Box	6	30	\$24.20
52142	021919521424	Steel	1-1/2" [38mm]	3" [76mm]	KA2 - 37784	40	19	46	6.3	76	20	Box	6	30	\$24.20
52143	021919521431	Steel	1-1/2" [38mm]	3" [76mm]	KA3 - 63827	40	19	46	6.3	76	20	Box	6	30	\$24.20
52144	021919521448	Steel	1-1/2" [38mm]	3" [76mm]	KA4 - 83575	40	19	46	6.3	76	20	Box	6	30	\$24.20
52145	021919521455	Steel	1-1/2" [38mm]	3" [76mm]	KA5 - 24164	40	19	46	6.3	76	20	Box	6	30	\$24.20
52210	021919522100	Steel	1-3/4" [44mm]	1" [25mm]	KD	44	19	46	8	25	20	Box	6	30	\$24.20
52211	021919522117	Steel	1-3/4" [44mm]	1" [25mm]	KA1 - 62573	44	19	46	8	25	20	Box	6	30	\$24.20
52212	021919522124	Steel	1-3/4" [44mm]	1" [25mm]	KA2 - 37784	44	19	46	8	25	20	Box	6	30	\$24.20
52213	021919522131	Steel	1-3/4" [44mm]	1" [25mm]	KA3 - 63827	44	19	46	8	25	20	Box	6	30	\$24.20
52214	021919522148	Steel	1-3/4" [44mm]	1" [25mm]	KA4 - 83575	44	19	46	8	25	20	Box	6	30	\$24.20
52215	021919522155	Steel	1-3/4" [44mm]	1" [25mm]	KA5 - 24164	44	19	46	8	25	20	Box	6	30	\$24.20
52230	021919522308	Steel	1-3/4" [44mm]	2" [51mm]	KD	44	19	46	8	51	20	Box	6	30	\$25.30
52231	021919522315	Steel	1-3/4" [44mm]	2" [51mm]	KA1 - 62573	44	19	46	8	51	20	Box	6	30	\$25.30
52232	021919522322	Steel	1-3/4" [44mm]	2" [51mm]	KA2 - 37784	44	19	46	8	51	20	Box	6	30	\$25.30
52233	021919522339	Steel	1-3/4" [44mm]	2" [51mm]	KA3 - 63827	44	19	46	8	51	20	Box	6	30	\$25.30
52234	021919522346	Steel	1-3/4" [44mm]	2" [51mm]	KA4 - 83575	44	19	46	8	51	20	Box	6	30	\$25.30
52235	021919522353	Steel	1-3/4" [44mm]	2" [51mm]	KA5 - 24164	44	19	46	8	51	20	Box	6	30	\$25.30
52240	021919522407	Steel	1-3/4" [44mm]	3" [76mm]	KD	44	19	46	8	76	20	Box	6	30	\$26.40
52241	021919522414	Steel	1-3/4" [44mm]	3" [76mm]	KA1 - 62573	44	19	46	8	76	20	Box	6	30	\$26.40
52242	021919522421	Steel	1-3/4" [44mm]	3" [76mm]	KA2 - 37784	44	19	46	8	76	20	Box	6	30	\$26.40
52243	021919522438	Steel	1-3/4" [44mm]	3" [76mm]	KA3 - 63827	44	19	46	8	76	20	Box	6	30	\$26.40
52244	021919522445	Steel	1-3/4" [44mm]	3" [76mm]	KA4 - 83575	44	19	46	8	76	20	Box	6	30	\$26.40
52245	021919522452	Steel	1-3/4" [44mm]	3" [76mm]	KA5 - 24164	44	19	46	8	76	20	Box	6	30	\$26.40



500 Series Steel Rekeyable AM3 Keyway, continued

Part#	UPC Code	Body Material	Body Width inch/mm	Shackle Clearance inch/mm	KA/KD							Package	Shelf Pack	Master Pack	MSRP
						A	B	C	D	E	F				
52310	021919523107	Steel	2" [51mm]	1" [25mm]	KD	15	19	46	9.5	25	20	Box	6	30	\$28.60
52311	021919523114	Steel	2" [51mm]	1" [25mm]	KA1 - 62573	51	19	46	9.5	25	20	Box	6	30	\$28.60
52312	021919523121	Steel	2" [51mm]	1" [25mm]	KA2 - 37784	51	19	46	9.5	25	20	Box	6	30	\$28.60
52313	021919523138	Steel	2" [51mm]	1" [25mm]	KA3 - 63827	51	19	46	9.5	25	20	Box	6	30	\$28.60
52314	021919523145	Steel	2" [51mm]	1" [25mm]	KA4 - 83575	51	19	46	9.5	25	20	Box	6	30	\$28.60
52315	021919523152	Steel	2" [51mm]	1" [25mm]	KA5 - 24164	51	19	46	9.5	25	20	Box	6	30	\$28.60
52330	021919523305	Steel	2" [51mm]	2" [51mm]	KD	51	19	46	9.5	51	20	Box	6	30	\$29.70
52331	021919523312	Steel	2" [51mm]	2" [51mm]	KA1 - 62573	51	19	46	9.5	51	20	Box	6	30	\$29.70
52332	021919523329	Steel	2" [51mm]	2" [51mm]	KA2 - 37784	51	19	46	9.5	51	20	Box	6	30	\$29.70
52333	021919523336	Steel	2" [51mm]	2" [51mm]	KA3 - 63827	51	19	46	9.5	51	20	Box	6	30	\$29.70
52334	021919523343	Steel	2" [51mm]	2" [51mm]	KA4 - 83575	51	19	46	9.5	51	20	Box	6	30	\$29.70
52335	021919523350	Steel	2" [51mm]	2" [51mm]	KA5 - 24164	51	19	46	9.5	51	20	Box	6	30	\$29.70
52340	021919523404	Steel	2" [51mm]	3" [76mm]	KD	51	19	46	9.5	76	20	Box	6	30	\$30.80
52341	021919523411	Steel	2" [51mm]	3" [76mm]	KA1 - 62573	51	19	46	9.5	76	20	Box	6	30	\$30.80
52342	021919523428	Steel	2" [51mm]	3" [76mm]	KA2 - 37784	51	19	46	9.5	76	20	Box	6	30	\$30.80
52343	021919523435	Steel	2" [51mm]	3" [76mm]	KA3 - 63827	51	19	46	9.5	76	20	Box	6	30	\$30.80
52344	021919523442	Steel	2" [51mm]	3" [76mm]	KA4 - 83575	51	19	46	9.5	76	20	Box	6	30	\$30.80
52345	021919523459	Steel	2" [51mm]	3" [76mm]	KA5 - 24164	51	19	46	9.5	76	20	Box	6	30	\$30.80
53210	021919532109	Steel Shrouded	1-3/4" [44mm]	1" [25mm]	KD	44	19	76	8	25	20	Box	6	30	\$39.60
53211	021919532116	Steel Shrouded	1-3/4" [44mm]	1" [25mm]	KA1 - 62573	44	19	76	8	25	20	Box	6	30	\$39.60
53212	021919532123	Steel Shrouded	1-3/4" [44mm]	1" [25mm]	KA2 - 37784	44	19	76	8	25	20	Box	6	30	\$39.60
53213	021919532130	Steel Shrouded	1-3/4" [44mm]	1" [25mm]	KA3 - 63827	44	19	76	8	25	20	Box	6	30	\$39.60
53214	021919532147	Steel Shrouded	1-3/4" [44mm]	1" [25mm]	KA4 - 83575	44	19	76	8	25	20	Box	6	30	\$39.60
53215	021919532154	Steel Shrouded	1-3/4" [45mm]	1" [25mm]	KA5 - 24164	44	19	76	8	25	20	Box	6	30	\$39.60
53310	021919533106	Steel Shrouded	2" [51mm]	1" [25mm]	KD	51	19	76	9.5	25	20	Box	6	30	\$40.70
53311	021919533113	Steel Shrouded	2" [51mm]	1" [25mm]	KA1 - 62573	51	19	76	9.5	25	20	Box	6	30	\$40.70
53312	021919533120	Steel Shrouded	2" [51mm]	1" [25mm]	KA2 - 37784	51	19	76	9.5	25	20	Box	6	30	\$40.70
53313	021919533137	Steel Shrouded	2" [51mm]	1" [25mm]	KA3 - 63827	51	19	76	9.5	25	20	Box	6	30	\$40.70
53314	021919533144	Steel Shrouded	2" [51mm]	1" [25mm]	KA4 - 83575	51	19	76	9.5	25	20	Box	6	30	\$40.70
53315	021919533151	Steel Shrouded	2" [51mm]	1" [25mm]	KA5 - 24164	51	19	76	9.5	25	20	Box	6	30	\$40.70

- Solid Steel Quality Chrome & Duplex Nickel Plated Lock Body
- Quality Chrome Plated Alloy Shackle
- Patented Quick-Change Shackle Design
- Double Ball Bearing Locking Mechanism
- Rekeyable 5 Pin Brass Cylinder with Anti-Pick Pinning
- Anti-Bumping Cylinder
- All padlocks come Non Key Retaining
- Key retaining set screw included with each lock
- Lock Features American Lock® Keyway
- Product of Taiwan; designed in Wheeling, Illinois

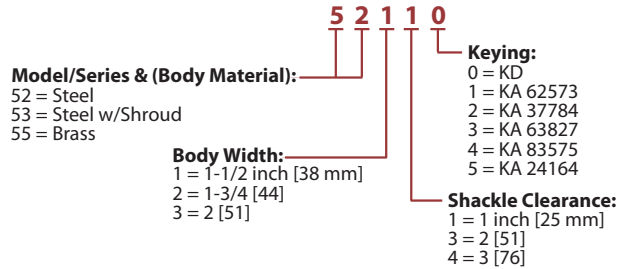


Part#	Body Width (A)	D	E	F
52110-52145	1-1/2" [38mm]	6.3mm	25-51-76mm	20
52210-52245	1-3/4" [44mm]	8.0mm	25-51-76mm	20
52310-52345	2" [51mm]	9.5mm	25-51-76mm	20
53210-53215	1-3/4" [44mm]	8.0mm	25-51-76mm	20
53310-53315	2" [51mm]	9.5mm	25-51-76mm	20



# Commercial

## 500 Series Brass Rekeyable AM3 Keyway

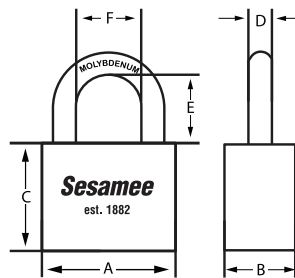


Part#	UPC Code	Body Material	Body Width inch/mm	Shackle Clearance inch/mm	KA/KD	Dimensions						Package	Shelf Pack	Master Pack	MSRP
						A	B	C	D	E	F				
55110	021919551100	Brass	1-1/2" [38mm]	1" [25mm]	KD	40	19	46	6.3	25	20	Box	6	30	\$26.95
55111	021919551117	Brass	1-1/2" [38mm]	1" [25mm]	KA1 - 62573	40	19	46	6.3	25	20	Box	6	30	\$26.95
55112	021919551124	Brass	1-1/2" [38mm]	1" [25mm]	KA2 - 37784	40	19	46	6.3	25	20	Box	6	30	\$26.95
55113	021919551131	Brass	1-1/2" [38mm]	1" [25mm]	KA3 - 63827	40	19	46	6.3	25	20	Box	6	30	\$26.95
55114	021919551148	Brass	1-1/2" [38mm]	1" [25mm]	KA4 - 83575	40	19	46	6.3	25	20	Box	6	30	\$26.95
55115	021919551155	Brass	1-1/2" [38mm]	1" [25mm]	KA5 - 24164	40	19	46	6.3	25	20	Box	6	30	\$26.95
55130	021919551308	Brass	1-1/2" [38mm]	2" [51mm]	KD	40	19	46	6.3	51	20	Box	6	30	\$27.50
55131	021919551315	Brass	1-1/2" [38mm]	2" [51mm]	KA1 - 62573	40	19	46	6.3	51	20	Box	6	30	\$27.50
55132	021919551322	Brass	1-1/2" [38mm]	2" [51mm]	KA2 - 37784	40	19	46	6.3	51	20	Box	6	30	\$27.50
55133	021919551339	Brass	1-1/2" [38mm]	2" [51mm]	KA3 - 63827	40	19	46	6.3	51	20	Box	6	30	\$27.50
55134	021919551346	Brass	1-1/2" [38mm]	2" [51mm]	KA4 - 83575	40	19	46	6.3	51	20	Box	6	30	\$27.50
55135	021919551353	Brass	1-1/2" [38mm]	2" [51mm]	KA5 - 24164	40	19	46	6.3	51	20	Box	6	30	\$27.50
55140	021919551407	Brass	1-1/2" [38mm]	3" [76mm]	KD	40	19	46	6.3	76	20	Box	6	30	\$29.15
55141	021919551414	Brass	1-1/2" [38mm]	3" [76mm]	KA1 - 62573	40	19	46	6.3	76	20	Box	6	30	\$29.15
55142	021919551421	Brass	1-1/2" [38mm]	3" [76mm]	KA2 - 37784	40	19	46	6.3	76	20	Box	6	30	\$29.15
55143	021919551438	Brass	1-1/2" [38mm]	3" [76mm]	KA3 - 63827	40	19	46	6.3	76	20	Box	6	30	\$29.15
55144	021919551445	Brass	1-1/2" [38mm]	3" [76mm]	KA4 - 83575	40	19	46	6.3	76	20	Box	6	30	\$29.15
55145	021919551452	Brass	1-1/2" [38mm]	3" [76mm]	KA5 - 24164	40	19	46	6.3	76	20	Box	6	30	\$29.15
55210	021919552107	Brass	1-3/4" [44mm]	1" [25mm]	KD	44	19	46	8	25	20	Box	6	30	\$29.70
55211	021919552114	Brass	1-3/4" [44mm]	1" [25mm]	KA1 - 62573	44	19	46	8	25	20	Box	6	30	\$29.70
55212	021919552121	Brass	1-3/4" [44mm]	1" [25mm]	KA2 - 37784	44	19	46	8	25	20	Box	6	30	\$29.70
55213	021919552138	Brass	1-3/4" [44mm]	1" [25mm]	KA3 - 63827	44	19	46	8	25	20	Box	6	30	\$29.70
55214	021919552145	Brass	1-3/4" [44mm]	1" [25mm]	KA4 - 83575	44	19	46	8	25	20	Box	6	30	\$27.50
55215	021919552152	Brass	1-3/4" [44mm]	1" [25mm]	KA5 - 24164	44	19	46	8	25	20	Box	6	30	\$27.50
55230	021919552305	Brass	1-3/4" [44mm]	2" [51mm]	KD	44	19	46	8	51	20	Box	6	30	\$29.15
55231	021919552312	Brass	1-3/4" [44mm]	2" [51mm]	KA1 - 62573	44	19	46	8	51	20	Box	6	30	\$29.15
55232	021919552329	Brass	1-3/4" [44mm]	2" [51mm]	KA2 - 37784	44	19	46	8	51	20	Box	6	30	\$29.15
55233	021919552336	Brass	1-3/4" [44mm]	2" [51mm]	KA3 - 63827	44	19	46	8	51	20	Box	6	30	\$29.15
55234	021919552343	Brass	1-3/4" [44mm]	2" [51mm]	KA4 - 83575	44	19	46	8	51	20	Box	6	30	\$29.15
55235	021919552350	Brass	1-3/4" [44mm]	2" [51mm]	KA5 - 24164	44	19	46	8	51	20	Box	6	30	\$29.15
55240	021919552404	Brass	1-3/4" [44mm]	3" [76mm]	KD	44	19	46	8	76	20	Box	6	30	\$29.70
55241	021919552411	Brass	1-3/4" [44mm]	3" [76mm]	KA1 - 62573	44	19	46	8	76	20	Box	6	30	\$29.70
55242	021919552428	Brass	1-3/4" [44mm]	3" [76mm]	KA2 - 37784	44	19	46	8	76	20	Box	6	30	\$29.70
55243	021919552435	Brass	1-3/4" [44mm]	3" [76mm]	KA3 - 63827	44	19	46	8	76	20	Box	6	30	\$29.70

500 Series Brass Rekeyable AM3 Keyway, *continued*

Part#	UPC Code	Body Material	Body Width inch/mm	Shackle Clearance inch/mm	KA/KD							Package	Shelf Pack	Master Pack	MSRP
						A	B	C	D	E	F				
55244	021919552442	Brass	1-3/4" [44mm]	3" [76mm]	KA4 - 83575	44	19	46	8	76	20	Box	6	30	\$29.70
55245	021919552459	Brass	1-3/4" [44mm]	3" [76mm]	KA5 - 24164	44	19	46	8	76	20	Box	6	30	\$29.70
55310	021919553104	Brass	2" [51mm]	1" [25mm]	KD	51	19	46	9.5	25	20	Box	6	30	\$30.80
55311	021919553111	Brass	2" [51mm]	1" [25mm]	KA1 - 62573	51	19	46	9.5	25	20	Box	6	30	\$30.80
55312	021919553128	Brass	2" [51mm]	1" [25mm]	KA2 - 37784	51	19	46	9.5	25	20	Box	6	30	\$30.80
55313	021919553135	Brass	2" [51mm]	1" [25mm]	KA3 - 63827	51	19	46	9.5	25	20	Box	6	30	\$30.80
55314	021919553142	Brass	2" [51mm]	1" [25mm]	KA4 - 83575	51	19	46	9.5	25	20	Box	6	30	\$30.80
55315	021919553159	Brass	2" [51mm]	1" [25mm]	KA5 - 24164	51	19	46	9.5	25	20	Box	6	30	\$30.80
55330	021919553302	Brass	2" [51mm]	2" [51mm]	KD	51	19	46	9.5	51	20	Box	6	30	\$31.90
55331	021919553319	Brass	2" [51mm]	2" [51mm]	KA1 - 62573	51	19	46	9.5	51	20	Box	6	30	\$31.90
55332	021919553326	Brass	2" [51mm]	2" [51mm]	KA2 - 37784	51	19	46	9.5	51	20	Box	6	30	\$31.90
55333	021919553333	Brass	2" [51mm]	2" [51mm]	KA3 - 63827	51	19	46	9.5	51	20	Box	6	30	\$31.90
55334	021919553340	Brass	2" [51mm]	2" [51mm]	KA4 - 83575	51	19	46	9.5	51	20	Box	6	30	\$31.90
55335	021919553357	Brass	2" [51mm]	2" [51mm]	KA5 - 24164	51	19	46	9.5	51	20	Box	6	30	\$31.90
55340	021919553401	Brass	2" [51mm]	3" [76mm]	KD	51	19	46	9.5	76	20	Box	6	30	\$33.00
55341	021919553418	Brass	2" [51mm]	3" [76mm]	KA1 - 62573	51	19	46	9.5	76	20	Box	6	30	\$33.00
55342	021919553425	Brass	2" [51mm]	3" [76mm]	KA2 - 37784	51	19	46	9.5	76	20	Box	6	30	\$33.00
55343	021919553432	Brass	2" [51mm]	3" [76mm]	KA3 - 63827	51	19	46	9.5	76	20	Box	6	30	\$33.00
55344	021919553449	Brass	2" [51mm]	3" [76mm]	KA4 - 83575	51	19	46	9.5	76	20	Box	6	30	\$33.00
55345	021919553456	Brass	2" [51mm]	3" [76mm]	KA5 - 24164	51	19	46	9.5	76	20	Box	6	30	\$33.00

- Brass Lock Body
- Quality Chrome Plated Alloy Shackle
- Patented Quick-Change Shackle Design
- Double Ball Bearing Locking Mechanism
- Rekeyable 5 Pin Brass Cylinder with Anti-Pick Pinning
- Anti-Bumping Cylinder
- All padlocks come Non Key Retaining
- Key retaining set screw included with each lock
- Lock Features American Lock® Keyway
- Product of Taiwan; designed in Wheeling, Illinois



Part#	Body Width (A)	D	E	F
55110-55145	1-1/2" [38mm]	6.3mm	25-51-76mm	20
55210-55245	1-3/4" [44mm]	8.0mm	25-51-76mm	20
55310-55345	2" [51mm]	9.5mm	25-51-76mm	20





# Commercial

## 900 Series Aluminum Safety Lockout Padlocks AM3 Keyway



**Model/Series:**  
90 = Aluminum Safety Lockout

**Keying:**  
1 = KA 62573  
2 = KD  
3 = SFIC  
4 = KA 37784  
5 = KA 63827

**Color:**  
1 = Silver  
2 = Red  
3 = Black  
4 = Blue  
5 = Green  
6 = Yellow  
7 = Orange  
8 = Brown  
9 = Purple

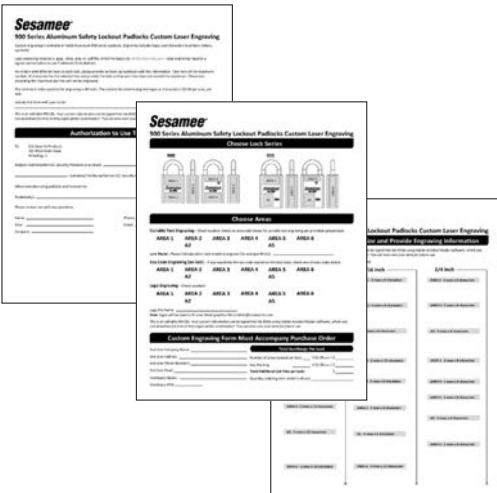
**Shackle Clearance:**  
1 = 1 inch [25 mm]  
2 = 1-1/2 [38]  
4 = 3 [76]  
5 = 4 [102]

### Cross Reference

Base Model	Shackle Clearance	American Lock®
9011	1"	1165
9012	1-1/2"	1166
9014	3"	1167
9015	4"	N/A
9031	1	3105
9032	1-1/2"	3106
9034	3"	3107
9035	4"	N/A

### Custom Laser Engraving :

- Includes logos and characters (numbers, letters, symbols)
- The minimum order quantity for engraving is 48 locks.
- The current list price to engrave logos or characters is \$1.00 per area, per lock.
- Form required and includes complete details.



Part#	UPC Code	Color	Width	Shackle Clearance	Shackle Width	Keyed	Shelf Pack	MSRP
90111	021919901110	Silver	1-1/2"	1"	3/4"	KA	6	\$15.07
90112	021919901127	Red	1-1/2"	1"	3/4"	KA	6	\$15.07
90113	021919901134	Black	1-1/2"	1"	3/4"	KA	6	\$15.07
90114	021919901141	Blue	1-1/2"	1"	3/4"	KA	6	\$15.07
90115	021919901158	Green	1-1/2"	1"	3/4"	KA	6	\$15.07
90116	021919901165	Yellow	1-1/2"	1"	3/4"	KA	6	\$15.07
90117	021919901172	Orange	1-1/2"	1"	3/4"	KA	6	\$15.07
90118	021919901189	Brown	1-1/2"	1"	3/4"	KA	6	\$15.07
90119	021919901196	Purple	1-1/2"	1"	3/4"	KA	6	\$15.07
90211	021919902117	Silver	1-1/2"	1"	3/4"	KD	6	\$15.07
90212	021919902124	Red	1-1/2"	1"	3/4"	KD	6	\$15.07
90213	021919902131	Black	1-1/2"	1"	3/4"	KD	6	\$15.07
90214	021919902148	Blue	1-1/2"	1"	3/4"	KD	6	\$15.07
90215	021919902155	Green	1-1/2"	1"	3/4"	KD	6	\$15.07
90216	021919902162	Yellow	1-1/2"	1"	3/4"	KD	6	\$15.07
90217	021919902179	Orange	1-1/2"	1"	3/4"	KD	6	\$15.07
90218	021919902186	Brown	1-1/2"	1"	3/4"	KD	6	\$15.07
90219	021919902193	Purple	1-1/2"	1"	3/4"	KD	6	\$15.07
90121	021919901219	Silver	1-1/2"	1-1/2"	3/4"	KA	6	\$16.50
90122	021919901226	Red	1-1/2"	1-1/2"	3/4"	KA	6	\$16.50
90123	021919901233	Black	1-1/2"	1-1/2"	3/4"	KA	6	\$16.50
90124	021919901240	Blue	1-1/2"	1-1/2"	3/4"	KA	6	\$16.50
90125	021919901257	Green	1-1/2"	1-1/2"	3/4"	KA	6	\$16.50
90126	021919901264	Yellow	1-1/2"	1-1/2"	3/4"	KA	6	\$16.50
90127	021919901271	Orange	1-1/2"	1-1/2"	3/4"	KA	6	\$16.50
90128	021919901288	Brown	1-1/2"	1-1/2"	3/4"	KA	6	\$16.50
90129	021919901295	Purple	1-1/2"	1-1/2"	3/4"	KA	6	\$16.50
90221	021919902216	Silver	1-1/2"	1-1/2"	3/4"	KD	6	\$16.50
90222	021919902223	Red	1-1/2"	1-1/2"	3/4"	KD	6	\$16.50
90223	021919902230	Black	1-1/2"	1-1/2"	3/4"	KD	6	\$16.50
90224	021919902247	Blue	1-1/2"	1-1/2"	3/4"	KD	6	\$16.50
90225	021919902254	Green	1-1/2"	1-1/2"	3/4"	KD	6	\$16.50
90226	021919902261	Yellow	1-1/2"	1-1/2"	3/4"	KD	6	\$16.50
90227	021919902278	Orange	1-1/2"	1-1/2"	3/4"	KD	6	\$16.50
90228	021919902285	Brown	1-1/2"	1-1/2"	3/4"	KD	6	\$16.50
90229	021919902292	Purple	1-1/2"	1-1/2"	3/4"	KD	6	\$16.50
90141	021919901417	Silver	1-1/2"	3"	3/4"	KA	6	\$17.60
90142	021919901424	Red	1-1/2"	3"	3/4"	KA	6	\$17.60
90143	021919901431	Black	1-1/2"	3"	3/4"	KA	6	\$17.60
90144	021919901448	Blue	1-1/2"	3"	3/4"	KA	6	\$17.60
90145	021919901455	Green	1-1/2"	3"	3/4"	KA	6	\$17.60
90146	021919901462	Yellow	1-1/2"	3"	3/4"	KA	6	\$17.60
90147	021919901479	Orange	1-1/2"	3"	3/4"	KA	6	\$17.60
90148	021919901486	Brown	1-1/2"	3"	3/4"	KA	6	\$17.60
90149	021919901493	Purple	1-1/2"	3"	3/4"	KA	6	\$17.60
90241	021919902414	Silver	1-1/2"	3"	3/4"	KD	6	\$17.60
90242	021919902421	Red	1-1/2"	3"	3/4"	KD	6	\$17.60
90243	021919902438	Black	1-1/2"	3"	3/4"	KD	6	\$17.60
90244	021919902445	Blue	1-1/2"	3"	3/4"	KD	6	\$17.60
90245	021919902452	Green	1-1/2"	3"	3/4"	KD	6	\$17.60
90246	021919902469	Yellow	1-1/2"	3"	3/4"	KD	6	\$17.60
90247	021919902476	Orange	1-1/2"	3"	3/4"	KD	6	\$17.60
90248	021919902483	Brown	1-1/2"	3"	3/4"	KD	6	\$17.60
90249	021919902490	Purple	1-1/2"	3"	3/4"	KD	6	\$17.60
90151	021919901516	Silver	1-1/2"	4"	3/4"	KA	6	\$18.70

## 900 Series Aluminum Safety Lockout Padlocks

AM3 Keyway, *continued*

Part#	UPC Code	Color	Width	Shackle Clearance	Shackle Width	Keyed	Shelf Pack	MSRP
90152	021919901523	Red	1-1/2"	4"	3/4"	KA	6	\$18.70
90153	021919901530	Black	1-1/2"	4"	3/4"	KA	6	\$18.70
90154	021919901547	Blue	1-1/2"	4"	3/4"	KA	6	\$18.70
90155	021919901554	Green	1-1/2"	4"	3/4"	KA	6	\$18.70
90156	021919901561	Yellow	1-1/2"	4"	3/4"	KA	6	\$18.70
90157	021919901578	Orange	1-1/2"	4"	3/4"	KA	6	\$18.70
90158	021919901585	Brown	1-1/2"	4"	3/4"	KA	6	\$18.70
90159	021919901592	Purple	1-1/2"	4"	3/4"	KA	6	\$18.70
90251	021919902513	Silver	1-1/2"	4"	3/4"	KD	6	\$18.70
90252	021919902520	Red	1-1/2"	4"	3/4"	KD	6	\$18.70
90253	021919902537	Black	1-1/2"	4"	3/4"	KD	6	\$18.70
90254	021919902544	Blue	1-1/2"	4"	3/4"	KD	6	\$18.70
90255	021919902551	Green	1-1/2"	4"	3/4"	KD	6	\$18.70
90256	021919902568	Yellow	1-1/2"	4"	3/4"	KD	6	\$18.70
90257	021919902575	Orange	1-1/2"	4"	3/4"	KD	6	\$18.70
90258	021919902582	Brown	1-1/2"	4"	3/4"	KD	6	\$18.70
90259	021919902599	Purple	1-1/2"	4"	3/4"	KD	6	\$18.70
90311	021919903114	Silver	1-1/2"	1"	3/4"	SFIC	6	\$15.07
90312	021919903121	Red	1-1/2"	1"	3/4"	SFIC	6	\$15.07
90313	021919903138	Black	1-1/2"	1"	3/4"	SFIC	6	\$15.07
90314	021919903145	Blue	1-1/2"	1"	3/4"	SFIC	6	\$15.07
90315	021919903152	Green	1-1/2"	1"	3/4"	SFIC	6	\$15.07
90316	021919903169	Yellow	1-1/2"	1"	3/4"	SFIC	6	\$15.07
90317	021919903176	Orange	1-1/2"	1"	3/4"	SFIC	6	\$15.07
90318	021919903183	Brown	1-1/2"	1"	3/4"	SFIC	6	\$15.07
90319	021919903190	Purple	1-1/2"	1"	3/4"	SFIC	6	\$15.07
90321	021919903213	Silver	1-1/2"	1-1/2"	3/4"	SFIC	6	\$16.50
90322	021919903220	Red	1-1/2"	1-1/2"	3/4"	SFIC	6	\$16.50
90323	021919903237	Black	1-1/2"	1-1/2"	3/4"	SFIC	6	\$16.50
90324	021919903244	Blue	1-1/2"	1-1/2"	3/4"	SFIC	6	\$16.50
90325	021919903251	Green	1-1/2"	1-1/2"	3/4"	SFIC	6	\$16.50
90326	021919903268	Yellow	1-1/2"	1-1/2"	3/4"	SFIC	6	\$16.50
90327	021919903275	Orange	1-1/2"	1-1/2"	3/4"	SFIC	6	\$16.50
90328	021919903282	Brown	1-1/2"	1-1/2"	3/4"	SFIC	6	\$16.50
90329	021919903299	Purple	1-1/2"	1-1/2"	3/4"	SFIC	6	\$16.50
90341	021919903411	Silver	1-1/2"	3"	3/4"	SFIC	6	\$17.60
90342	021919903428	Red	1-1/2"	3"	3/4"	SFIC	6	\$17.60
90343	021919903435	Black	1-1/2"	3"	3/4"	SFIC	6	\$17.60
90344	021919903442	Blue	1-1/2"	3"	3/4"	SFIC	6	\$17.60
90345	021919903459	Green	1-1/2"	3"	3/4"	SFIC	6	\$17.60
90346	021919903466	Yellow	1-1/2"	3"	3/4"	SFIC	6	\$17.60
90347	021919903473	Orange	1-1/2"	3"	3/4"	SFIC	6	\$17.60
90348	021919903480	Brown	1-1/2"	3"	3/4"	SFIC	6	\$17.60
90349	021919903497	Purple	1-1/2"	3"	3/4"	SFIC	6	\$17.60
90351	021919903510	Silver	1-1/2"	4"	3/4"	SFIC	6	\$18.70
90352	021919903527	Red	1-1/2"	4"	3/4"	SFIC	6	\$18.70
90353	021919903534	Black	1-1/2"	4"	3/4"	SFIC	6	\$18.70
90354	021919903541	Blue	1-1/2"	4"	3/4"	SFIC	6	\$18.70
90355	021919903558	Green	1-1/2"	4"	3/4"	SFIC	6	\$18.70
90356	021919903565	Yellow	1-1/2"	4"	3/4"	SFIC	6	\$18.70
90357	021919903572	Orange	1-1/2"	4"	3/4"	SFIC	6	\$18.70
90358	021919903589	Brown	1-1/2"	4"	3/4"	SFIC	6	\$18.70
90359	021919903596	Purple	1-1/2"	4"	3/4"	SFIC	6	\$18.70
99760	021919997601	Accessory Key Retainer for SFIC Models				SFIC	25	\$4.40
99900	021919999001	Accessory Key Retainer			25 shelf pack / 100 Master Carton			\$2.75



90116



90117



90114

**Specifications:**

- 1-1/2" Aluminum Body; 1/4" Diam Shackle
- 1-3/4" Aluminum Body; 5/16" Diam Shackle
- 2" Aluminum Body; 3/8" Diam Shackle
- Solid Anodized Aluminum Lock Body
- Quality Chrome Plated Hardened Steel Shackle
- Patented Quick-Change Shackle Design
- All KA and KD come Non Key Retaining
- Double Ball Bearing Locking Mechanism
- 4 shackle sizes; spare shackles ordered separately
- Nine Colors and engraving available
- Features American® Keyway 6 pin cylinder
- Product of Taiwan; designed in Wheeling, Illinois

**Best Used For:**

- Maritime, Agriculture, Oil & Gas, Construction, Food Service

Add -45 for 45mm (1-3/4"); add \$2.50 per lock  
 Add -50 for 50mm (2"); add \$4.00 per lock  
 i.e. 90113-45 would be \$16.20 MSRP

# Commercial

## 910 Series Thermoplastic Safety Lockout Padlocks



91123

**Model/Series:** 91 = Thermoplastic Safety Lockout

**Color:**  
 0 = Teal      5 = Green  
 2 = Red      6 = Yellow  
 3 = Black    7 = Orange  
 4 = Blue     9 = Purple

**Keying:**  
 1 = KA  
 2 = KD

**Shackle Clearance:**  
 2 = 1-1/2 inch [38mm] /Hardened Steel/ 1/4 inch [6.35mm]  
 3 = 1-1/2 [38] /Thermoplastic [PA6]/ 1/4 [6.35]  
 4 = 1-1/2 [38] /Stainless Steel/ 1/4 [6.35]



- 1-1/2" (3.8cm) wide 1-3/4" (4.4cm) tall Thermoplastic black body, shackle w/1-1/2" (3.8cm) clearance
- Designed exclusively for Lockout/Tagout applications
- Durable, lightweight, non-conductive Thermoplastic lock body
- Customize on-site with permanent, write-on labels
- Compliance with OSHA: "one employee, one lock, one key directive"
- High security, reserved-for-safety cylinder
- Key retaining ensures that padlock is not left unlocked
- English, Spanish and French labels included
- Keyed different 6-pin tumbler cylinder
- Commercial boxed packaging, shelf pack qty 6, master carton qty 36



91120

91122



91124

91125

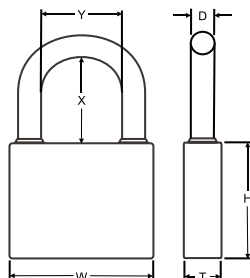


91126

91127

91129

Part#	UPC Code	Color	Width	Shackle Clearance	Keyed	Shelf Pack	MSRP
91120	021919911201	Teal	1-1/2"	1-1/2"	KA	6	\$15.62
91122	021919911225	Red	1-1/2"	1-1/2"	KA	6	\$15.62
91123	021919911232	Black	1-1/2"	1-1/2"	KA	6	\$15.62
91124	021919911249	Blue	1-1/2"	1-1/2"	KA	6	\$15.62
91125	021919911256	Green	1-1/2"	1-1/2"	KA	6	\$15.62
91126	021919911263	Yellow	1-1/2"	1-1/2"	KA	6	\$15.62
91127	021919911270	Orange	1-1/2"	1-1/2"	KA	6	\$15.62
91129	021919911294	Purple	1-1/2"	1-1/2"	KA	6	\$15.62
91220	021919912208	Teal	1-1/2"	1-1/2"	KD	6	\$15.62
91222	021919912222	Red	1-1/2"	1-1/2"	KD	6	\$15.62
91223	021919912239	Black	1-1/2"	1-1/2"	KD	6	\$15.62
91224	021919912246	Blue	1-1/2"	1-1/2"	KD	6	\$15.62
91225	021919912253	Green	1-1/2"	1-1/2"	KD	6	\$15.62
91226	021919912260	Yellow	1-1/2"	1-1/2"	KD	6	\$15.62
91227	021919912277	Orange	1-1/2"	1-1/2"	KD	6	\$15.62
91229	021919912291	Purple	1-1/2"	1-1/2"	KD	6	\$15.62



DIMENSION (inch/mm)					
Lock Body			Shackle		
W	H	T	D	X	Y
1 1/2"	3/4"	1-3/4"	1/4"	1-1/2"	3/4"
38	19	44	6.35	38	19



## Safety Lockout Hasp

Part#	UPC Code	Width	Height	D	X	Package	Shelf Pack	Master Carton	MSRP
<b>CCL90</b>	21919000776	1" [25mm]	4-1/2" [114mm]	3/8" [9mm]	5/32" [4mm]	Box	12	72	\$6.25
<b>CCL902</b>	021919000783	1-1/2" [38mm]	5-1/16" [129mm]	3/8" [9mm]	5/32" [4mm]	Box	12	72	\$6.46

- Steel Lock Out Hasp
- Round design of hasp prevents engagement
- Lockout by multiple workers at each lockout point
- Keeps equipment inoperative while repairs or adjustments are made
- Control cannot be turned on until last worker's padlock is removed from hasp
- Attach device to energy disconnect switch
- Hold up to 6 locks of 3/8" Shackle Diameter



CCL90



CCL902

# Commercial

## 560 Series 1-3/4" LFIC Schlage® Interchangeable Core Padlocks w/o Core

### 560 Series 1-3/4" LFIC Schlage® Brass Interchangeable Core Padlocks w/o Core

- Brass body or chrome plated brass padlock available in 1-3/4"
- Sesamee® 560 Series padlock is supplied without cylinder and accepts Schlage® #23-030 series cylinder
- Bumper for protection
- Double ball bearing locking feature provides superior pull and pry resistance
- Brass, Alloy, Stainless Steel shackle for ultimate strength against shackle cutting
- All products come non-key retaining
- Product of Taiwan; designed in Wheeling, Illinois



56012 front



56012 back



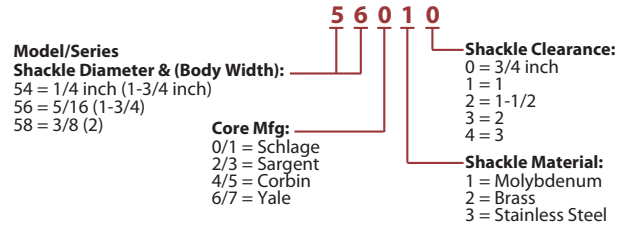
56012



56110



Accepts Schlage® #23-030 series large format interchangeable core cylinders



Part#	UPC Code	Shackle Clearance	Shackle Diameter	Body Width	Shackle Material	Shelf Pack	Master Carton	MSRP
-------	----------	-------------------	------------------	------------	------------------	------------	---------------	------

### 560 Series 1-3/4" LFIC Schlage® Brass Interchangeable Core Padlocks w/o Core

56010	021919560102	3/4"	5/16"	1-3/4"	Alloy	6	30	\$30.80
56011	021919560119	1"	5/16"	1-3/4"	Alloy	6	30	\$31.90
56012	021919560126	1-1/2"	5/16"	1-3/4"	Alloy	6	30	\$33.00
56013	021919560133	2"	5/16"	1-3/4"	Alloy	6	30	\$34.10
56014	021919560140	3"	5/16"	1-3/4"	Alloy	6	30	\$35.20
56020	021919560501	3/4"	5/16"	1-3/4"	Brass	6	30	\$33.00
56021	021919560218	1"	5/16"	1-3/4"	Brass	6	30	\$34.10
56022	021919560225	1-1/2"	5/16"	1-3/4"	Brass	6	30	\$35.20
56023	021919560232	2"	5/16"	1-3/4"	Brass	6	30	\$36.30
56024	021919560249	3"	5/16"	1-3/4"	Brass	6	30	\$37.40
56030	021919560300	3/4"	5/16"	1-3/4"	SS	6	30	\$33.00
56031	021919560317	1"	5/16"	1-3/4"	SS	6	30	\$34.10
56032	021919560324	1-1/2"	5/16"	1-3/4"	SS	6	30	\$35.20
56033	021919560331	2"	5/16"	1-3/4"	SS	6	30	\$36.30
56034	021919560348	3"	5/16"	1-3/4"	SS	6	30	\$37.40

### 561 Series 1-3/4" LFIC Schlage® Chrome Plated Brass Interchangeable Core Padlocks w/o Core

56110	021919561109	3/4"	5/16"	1-3/4"	Alloy	6	30	\$30.80
56111	021919561116	1"	5/16"	1-3/4"	Alloy	6	30	\$31.90
56112	021919561123	1-1/2"	5/16"	1-3/4"	Alloy	6	30	\$33.00
56113	021919561130	2"	5/16"	1-3/4"	Alloy	6	30	\$34.10
56114	021919561147	3"	5/16"	1-3/4"	Alloy	6	30	\$35.20

### 580 Series 2" LFIC Schlage® Brass Interchangeable Core Padlocks w/o Core

58010	021919580100	3/4"	3/8"	2" [50mm]	Alloy	6	30	\$35.20
58011	021919580117	1"	3/8"	2" [50mm]	Alloy	6	30	\$36.30
58012	021919580124	1-1/2"	3/8"	2" [50mm]	Alloy	6	30	\$37.40
58013	021919580131	2"	3/8"	2" [50mm]	Alloy	6	30	\$38.50
58014	021919580148	3"	3/8"	2" [50mm]	Alloy	6	30	\$39.60

### Accessories

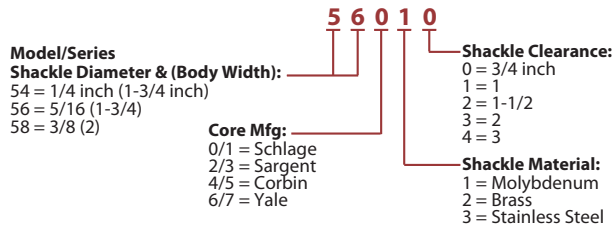
99560	021919995607	Key Retainer				25	100	\$4.40
-------	--------------	--------------	--	--	--	----	-----	--------

Call for Availability for the 540 series with 1/4" diameter shackle price is same as 560 series above.

## 562 Series 1-3/4" LFIC Sargent® Interchangeable Core Padlocks w/o Core

### 562 Series 1-3/4" LFIC Sargent® Brass Interchangeable Core Padlocks w/o Core

- Brass Body or Chrome Plated Brass Padlock available in 1-3/4"
- Sesamee® 562 Series Padlock is supplied without cylinder and accepts Sargent® #6300 series interchangeable core cylinders
- Bumper For Protection
- Double ball locking feature provides added strength to resist pulling and prying
- Brass, Alloy, Stainless Steel shackle materials for weather resistance and added security
- All products come Non Key Retaining
- Product of Taiwan; designed in Wheeling, Illinois



Part#	UPC Code	Shackle Clearance	Shackle Diameter	Body Width	Shackle Material	Shelf Pack	Master Carton	MSRP
-------	----------	-------------------	------------------	------------	------------------	------------	---------------	------

### 562 Series 1-3/4" LFIC Sargent® Brass Interchangeable Core Padlocks w/o Core

56210	021919562106	3/4"	5/16"	1-3/4"	Alloy	6	30	\$30.80
56211	021919562113	1"	5/16"	1-3/4"	Alloy	6	30	\$31.90
56212	021919562120	1-1/2"	5/16"	1-3/4"	Alloy	6	30	\$33.00
56213	021919562137	2"	5/16"	1-3/4"	Alloy	6	30	\$34.10
56214	021919562144	3"	5/16"	1-3/4"	Alloy	6	30	\$35.20
56220	021919562205	3/4"	5/16"	1-3/4"	Brass	6	30	\$33.00
56221	021919562212	1"	5/16"	1-3/4"	Brass	6	30	\$34.10
56222	021919562229	1-1/2"	5/16"	1-3/4"	Brass	6	30	\$35.20
56223	021919562236	2"	5/16"	1-3/4"	Brass	6	30	\$36.30
56224	021919562243	3"	5/16"	1-3/4"	Brass	6	30	\$37.40
56230	021919562304	3/4"	5/16"	1-3/4"	SS	6	30	\$33.00
56231	021919562311	1"	5/16"	1-3/4"	SS	6	30	\$34.10
56232	021919562328	1-1/2"	5/16"	1-3/4"	SS	6	30	\$35.20
56233	021919562335	2"	5/16"	1-3/4"	SS	6	30	\$36.30
56234	021919562342	3"	5/16"	1-3/4"	SS	6	30	\$37.40

### 563 Series 1-3/4" LFIC Sargent® Chrome Plated Brass Interchangeable Core Padlocks w/o Core

56310	021919563103	3/4"	5/16"	1-3/4"	Alloy	6	30	\$30.80
56311	021919563110	1"	5/16"	1-3/4"	Alloy	6	30	\$31.90
56312	021919563127	1-1/2"	5/16"	1-3/4"	Alloy	6	30	\$33.00
56313	021919563134	2"	5/16"	1-3/4"	Alloy	6	30	\$34.10
56314	021919563141	3"	5/16"	1-3/4"	Alloy	6	30	\$35.20

### 582 Series 2" LFIC Sargent® Brass Interchangeable Core Padlocks w/o Core

58210	021919582104	3/4"	3/8"	2" [50mm]	Alloy	6	30	\$35.20
58211	021919582111	1"	3/8"	2" [50mm]	Alloy	6	30	\$36.30
58212	021919582128	1-1/2"	3/8"	2" [50mm]	Alloy	6	30	\$37.40
58213	021919582135	2"	3/8"	2" [50mm]	Alloy	6	30	\$38.50
58214	021919582142	3"	3/8"	2" [50mm]	Alloy	6	30	\$39.60

### Accessories

99560	021919995607	Key Retainer				25	100	\$4.40
-------	--------------	--------------	--	--	--	----	-----	--------



56212 front



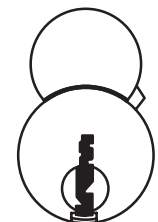
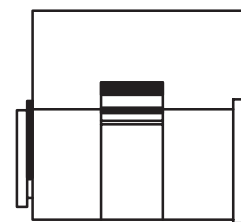
56212 back



56212



56210



Accepts Sargent® #6300 series Interchangeable core cylinders

Call for Availability for the 542 series with 1/4" diameter shackle price is same as above.

SS = Stainless Steel

# Commercial

## 564 Series 1-3/4" LFIC Corbin® Interchangeable Core Padlocks w/o Core



56412 front



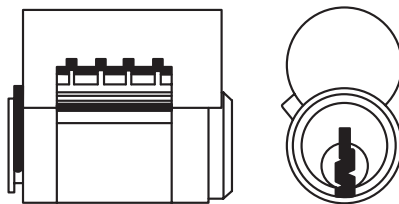
56412 back



56012



56510



Accepts Corbin® #8000 series Interchangeable core cylinders

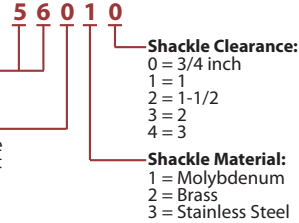
### 564 Series 1-3/4" LFIC Corbin® Brass Interchangeable Core Padlocks w/o Core

- Brass Body or Chrome Plated Brass Padlock available in 1-3/4"
- Sesamee® 564 Series Padlock is supplied without cylinder and accepts Corbin® #8000 series interchangeable core cylinders
- Bumper For Protection
- Double ball locking feature provides added strength to resist pulling and prying
- Brass, Alloy, Stainless Steel shackle materials for weather resistance and added security
- All products come Non Key Retaining
- Product of Taiwan; designed in Wheeling, Illinois

#### Model/Series Shackle Diameter & (Body Width):

- 54 = 1/4 inch (1-3/4 inch)
- 56 = 5/16 (1-3/4)
- 58 = 3/8 (2)

- Core Mfg:**
- 0/1 = Schlage
  - 2/3 = Sargent
  - 4/5 = Corbin
  - 6/7 = Yale



Part#	UPC Code	Shackle Clearance	Shackle Diameter	Body Width	Shackle Material	Shelf Pack	Master Carton	MSRP
-------	----------	-------------------	------------------	------------	------------------	------------	---------------	------

### 564 Series 1-3/4" LFIC Corbin® Brass Interchangeable Core Padlocks w/o Core

56410	021919564100	3/4"	5/16"	1-3/4"	Alloy	6	30	\$30.80
56411	021919564117	1"	5/16"	1-3/4"	Alloy	6	30	\$31.90
56412	021919564124	1-1/2"	5/16"	1-3/4"	Alloy	6	30	\$33.00
56413	021919564131	2"	5/16"	1-3/4"	Alloy	6	30	\$34.10
56414	021919564148	3"	5/16"	1-3/4"	Alloy	6	30	\$35.20
56420	021919564209	3/4"	5/16"	1-3/4"	Brass	6	30	\$33.00
56421	021919564216	1"	5/16"	1-3/4"	Brass	6	30	\$34.10
56422	021919564223	1-1/2"	5/16"	1-3/4"	Brass	6	30	\$35.20
56423	021919564230	2"	5/16"	1-3/4"	Brass	6	30	\$36.30
56424	021919564247	3"	5/16"	1-3/4"	Brass	6	30	\$37.40
56430	021919564308	3/4"	5/16"	1-3/4"	SS	6	30	\$33.00
56431	021919564315	1"	5/16"	1-3/4"	SS	6	30	\$34.10
56432	021919564322	1-1/2"	5/16"	1-3/4"	SS	6	30	\$35.20
56433	021919564339	2"	5/16"	1-3/4"	SS	6	30	\$36.30
56434	021919564346	3"	5/16"	1-3/4"	SS	6	30	\$37.40

### 565 Series 1-3/4" LFIC Corbin® Chrome Plated Brass Interchangeable Core Padlocks w/o Core

56510	021919565107	3/4"	5/16"	1-3/4"	Alloy	6	30	\$30.80
56511	021919565114	1"	5/16"	1-3/4"	Alloy	6	30	\$31.90
56512	021919565121	1-1/2"	5/16"	1-3/4"	Alloy	6	30	\$33.00
56513	021919565138	2"	5/16"	1-3/4"	Alloy	6	30	\$34.10
56514	021919565145	3"	5/16"	1-3/4"	Alloy	6	30	\$35.20

### 584 Series 2" LFIC Corbin® Brass Interchangeable Core Padlocks w/o Core

58410	021919584108	3/4"	3/8"	2" [50mm]	Alloy	6	30	\$35.20
58411	021919584115	1"	3/8"	2" [50mm]	Alloy	6	30	\$36.30
58412	021919584122	1-1/2"	3/8"	2" [50mm]	Alloy	6	30	\$37.40
58413	021919584139	2"	3/8"	2" [50mm]	Alloy	6	30	\$38.50
58414	021919584146	3"	3/8"	2" [50mm]	Alloy	6	30	\$39.60

#### Accessories

99560	021919995607	Key Retainer				25	100	\$4.40
-------	--------------	--------------	--	--	--	----	-----	--------

Call for Availability for the 544 series with 1/4" diameter shackle price is same as above.

SS = Stainless Steel



## 760 Series 1-3/4" SFIC Interchangeable Core Padlocks w/o Core

### 760 1-3/4" SFIC Brass Interchangeable Core Padlocks

- Brass Body Padlock Without Keyed Core
- Works With Small Format IC Such As Arrow/Best/Falcon
- Bumper For Protection
- 1-3/4" Body and 5 Shackle Sizes Available
- All products come Non Key Retaining
- Quality solid brass and stainless steel construction to prevent rusting and extend the life of the padlock
- Double ball locking feature provides added strength to resist pulling and prying
- Brass, Alloy, Stainless Steel shackle materials for weather resistance and added security
- Product of Taiwan; designed in Wheeling, Illinois

**Model/Series Shackle Diameter & (Body Width):**  
 74 = 1/4 inch (1-1/2 inch)  
 76 = 5/16 (1-3/4)  
 78 = 3/8 (2)

**Option:**  
 SH = Shrouded Body Style

**Shackle Clearance:**  
 0 = 3/4 inch    3 = 2  
 1 = 1            4 = 3  
 2 = 1-1/2      5 = 4

**Shackle Material:**  
 1 = Molybdenum  
 2 = Brass  
 3 = Stainless Steel

**Core Mfg:**  
 0 = SFIC (Best or Equivalent)

**New Pricing**

Part#	UPC Code	Shackle Clearance	Shackle Diameter	Body Width	Shackle Material	Shelf Pack	Master Carton	MSRP
<b>760 Series 1-3/4" SFIC Brass Interchangeable Core Padlocks</b>								
76010	021919760106	3/4"	5/16"	1-3/4"	Alloy	6	30	\$25.85
76011	021919760113	1"	5/16"	1-3/4"	Alloy	6	30	\$26.40
76011SH	021919003760	1"	5/16"	1-3/4"	Alloy	6	30	\$48.40
76012	021919760120	1-1/2"	5/16"	1-3/4"	Alloy	6	30	\$26.95
76013	021919760137	2"	5/16"	1-3/4"	Alloy	6	30	\$27.50
76014	021919760144	3"	5/16"	1-3/4"	Alloy	6	30	\$28.05
76015	021919760151	4"	5/16"	1-3/4"	Alloy	6	30	\$28.60
76020	021919760205	3/4"	5/16"	1-3/4"	Brass	6	30	\$27.50
76021	021919760212	1"	5/16"	1-3/4"	Brass	6	30	\$28.05
76022	021919760229	1-1/2"	5/16"	1-3/4"	Brass	6	30	\$28.60
76023	021919760236	2"	5/16"	1-3/4"	Brass	6	30	\$29.15
76024	021919760243	3"	5/16"	1-3/4"	Brass	6	30	\$29.70
76030	021919760304	3/4"	5/16"	1-3/4"	SS	6	30	\$27.50
76031	021919760311	1"	5/16"	1-3/4"	SS	6	30	\$28.05
76032	021919760328	1-1/2"	5/16"	1-3/4"	SS	6	30	\$28.60
76033	021919760335	2"	5/16"	1-3/4"	SS	6	30	\$29.15
76034	021919760342	3"	5/16"	1-3/4"	SS	6	30	\$29.70
760-Cable-18	021919004217	18"	1/4"	1-3/4"	Cable	6	30	\$30.00
<b>760 Series 1-3/4" SFIC Chrome Plated Brass Interchangeable Core Padlocks w/o Core</b>								
76110	021919761103	3/4"	5/16"	1-3/4"	Alloy	6	30	\$25.85
76111	021919761110	1"	5/16"	1-3/4"	Alloy	6	30	\$26.40
76112	021919761127	1-1/2"	5/16"	1-3/4"	Alloy	6	30	\$26.95
76113	021919761134	2"	5/16"	1-3/4"	Alloy	6	30	\$27.50
76114	021919761141	3"	5/16"	1-3/4"	Alloy	6	30	\$28.05
<b>780 Series 2" SFIC Brass Interchangeable Core Padlocks w/o Core</b>								
78010	021919780104	3/4"	3/8"	2"	Alloy	6	30	\$29.15
78011	021919780111	1"	3/8"	2"	Alloy	6	30	\$29.70
78011SH	021919003777	1"	3/8"	2"	Alloy	6	30	\$52.80
78012	021919780128	1-1/2"	3/8"	2"	Alloy	6	30	\$30.25
78013	021919780135	2"	3/8"	2"	Alloy	6	30	\$30.80
78014	021919780142	3"	3/8"	2"	Alloy	6	30	\$31.35
78015	021919780159	4"	3/8"	2"	Alloy	6	30	\$31.90
<b>Accessories</b>								
99760	021919997601	Key Retainer				25	100	\$4.40



Sesame® SFIC Cylinder  
**SFIC Cores available on p.80**

Call for Pricing and Availability for the 740 series with 1/4" shackle diameter. 760 are supplied with 5/16" diameter shackle.

# Commercial

## 860 Series KIK

Prepped for Schlage Style cylinders



86012 front



86012 back



86012



86110



860ACCPK

- Brass Body or Chrome Plated Brass Padlock available in 1-3/4"
- Sesamee® 860 Series Padlock accepts all standard Schlage® Conventional (Classic/ Everest/Everest 29) and Primus(Classic/Everest/ Everest 29) cylinders; includes cylinder bible
- Double ball locking feature provides added strength to resist pulling and prying
- Bumper For Protection
- Brass, Alloy, Stainless Steel shackle materials for weather resistance and added security
- Includes cylinder adaptor kit
- All products come Non Key Retaining
- Product of Taiwan; designed in Wheeling, Illinois

880 are supplied with 3/8" shackle diameter.  
860 are supplied with 5/16" diameter shackle.

See page 80 for 560 | 760 | 860 Replacement Shackles

8 6 0 1 0

Model/Series

Shackle Diameter & (Body Width):  
84 = 1/4 inch (1-3/4 inch)  
86 = 5/16 (1-3/4)  
88 = 3/8 (2)

Core Mfg:  
0 = KIK (Prepped for Schlage)

Shackle Clearance:  
0 = 3/4 inch  
1 = 1  
2 = 1-1/2  
3 = 2  
4 = 3

Shackle Material:  
1 = Molybdenum  
2 = Brass  
3 = Stainless Steel

Part#	UPC Code	Shackle Clearance	Shackle Diameter	Body Width	Shackle Material	Shelf Pack	Master Carton	MSRP
-------	----------	-------------------	------------------	------------	------------------	------------	---------------	------

### 860 Series 1-3/4" KIK Brass Conventional Key-in-Knob w/o Core

86010	021919860103	3/4"	5/16"	1-3/4"	Alloy	6	30	\$35.20
86011	021919860110	1"	5/16"	1-3/4"	Alloy	6	30	\$36.30
86012	021919860127	1-1/2"	5/16"	1-3/4"	Alloy	6	30	\$37.40
86013	021919860134	2"	5/16"	1-3/4"	Alloy	6	30	\$38.50
86014	021919860141	3"	5/16"	1-3/4"	Alloy	6	30	\$39.60
86020	021919860202	3/4"	5/16"	1-3/4"	Brass	6	30	\$36.30
86021	021919860219	1"	5/16"	1-3/4"	Brass	6	30	\$37.40
86022	021919860226	1-1/2"	5/16"	1-3/4"	Brass	6	30	\$38.50
86023	021919860233	2"	5/16"	1-3/4"	Brass	6	30	\$39.60
86024	021919860240	3"	5/16"	1-3/4"	Brass	6	30	\$40.70
86030	021919860301	3/4"	5/16"	1-3/4"	SS	6	30	\$36.30
86031	021919860318	1"	5/16"	1-3/4"	SS	6	30	\$37.40
86032	021919860315	1-1/2"	5/16"	1-3/4"	SS	6	30	\$38.50
86033	021919860332	2"	5/16"	1-3/4"	SS	6	30	\$39.60
86034	021919860349	3"	5/16"	1-3/4"	SS	6	30	\$40.70

### 860 Series 1-3/4" KIK Chrome Plated Brass Conventional Key-in-Knob w/o Core

86110	021919861100	3/4"	5/16"	1-3/4"	Alloy	6	30	\$35.20
86111	021919861117	1"	5/16"	1-3/4"	Alloy	6	30	\$36.30
86112	021919861124	1-1/2"	5/16"	1-3/4"	Alloy	6	30	\$37.40
86113	021919861131	2"	5/16"	1-3/4"	Alloy	6	30	\$38.50
86114	021919861148	3"	5/16"	1-3/4"	Alloy	6	30	\$39.60

### 840 Series 1-3/4" KIK Brass Conventional Key-in-Knob w/o Core

84010	021919840105	3/4"	1/4"	1-3/4"	Alloy	6	30	\$35.75
84011	021919840112	1"	1/4"	1-3/4"	Alloy	6	30	\$36.30
84012	021919840129	1-1/2"	1/4"	1-3/4"	Alloy	6	30	\$37.95
84013	021919840136	2"	1/4"	1-3/4"	Alloy	6	30	\$39.05
84014	021919840143	3"	1/4"	1-3/4"	Alloy	6	30	\$40.15

### 880 Series 2" KIK Brass Padlock w/o Core

88010	021919880101	3/4"	3/8"	2"	Alloy	6	30	\$40.15
88011	021919880118	1"	3/8"	2"	Alloy	6	30	\$40.70
88012	021919880125	1-1/2"	3/8"	2"	Alloy	6	30	\$42.35
88013	021919880132	2"	3/8"	2"	Alloy	6	30	\$43.45
88014	021919880149	3"	3/8"	2"	Alloy	6	30	\$44.55
88015	021919880156	4"	3/8"	2"	Alloy	6	30	\$45.65

### Accessories

99860	021919998608	Key Retainer				25	100	\$4.40
860ACCPK	021919999018	860 Series Accessories Pack				25	100	\$13.20

## 960 Storage Security Padlocks

### Dial and Pushbutton Combination

Part#	UPC Code	Shackle Clearance	Body Width	Type	Shelf Pack	Master Carton	MSRP
-------	----------	-------------------	------------	------	------------	---------------	------

#### Stock Items 48 Hour Shipping:

<b>96006</b>	021919960063	wall mount	3-1/4"	permanent	10	20	\$42.00
<b>96007</b>	021919960070	1-13/32"	3-1/4"	over the door	10	20	\$44.10
<b>96008</b>	021919960087	wall mount	3-1/4"	permanent	10	20	\$34.65
<b>96009</b>	021919960094	1-13/32"	3-1/4"	over the door	10	20	\$37.80

#### Select who can access your property:

- Children after school
- Pool maintenance, cleaning and repair service
- Elder care
- House & pet sitter

#### Best Used for:

- Primary home, timeshare and vacation properties
- Storage shed
- Recreation Vehicles: Bicycle, ATV, boat, motorbike

**Sesamee® 96006** smart design is compact while providing a best in class large storage compartment with the ability to hold up to 20 keys or 8 key cards.

The 96006 has a 10-push button resettable mechanism that allows the user to change the PIN code within seconds and includes wall mounting hardware.

- Large solid metal housing offers more capacity than conventional key safes
- Large hinged front door for maximum convenience
- 10 push-button resettable combination
- Includes wall mounting hardware
- Holds up to 8 cards or 20 keys

**Sesamee® 96007** smart design is compact while providing a best in class large storage compartment with the ability to hold up to 20 keys or 8 key cards. The 96007 has a 10-push button resettable mechanism that allows the user to change the PIN code within seconds and comes with a detachable shackle for locking to door knobs, handrails, etc. The 96007 also has a rubber coated back to protect delicate surfaces from unwanted abrasions.

- Large solid metal housing offers more capacity than conventional key safes
- Comes with a rubber coated detachable shackle for fixing to door knobs, rails, etc.
- Large hinged front door for maximum convenience
- 10 push-button resettable combination
- Shackle for fixing to door knobs, rails, etc.
- Holds up to 8 cards or 20 keys

#### Sesamee® 96008 | 96009

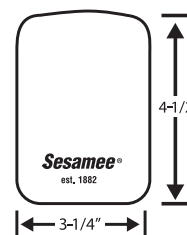
- Holds over 5 door or car keys
- Portable, over the door knob mount for convenience
- Set your own 4-digit combination for keyless convenience
- 3-1/4" (83mm) wide durable metal construction
- Shutter door protects combination dials from weather, dirt and grime
- Molded body and vinyl coated shackle prevent scratching
- Product of Taiwan; designed in Wheeling, Illinois



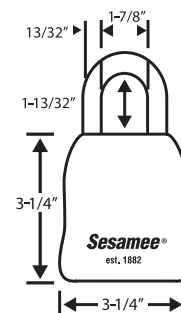
96006 with wall mount



96007 with Shackle



96008 Wall Mount



96009 with Shackle

# DIY

## 600 Series Padlocks Premium Pin Tumbler Solid Brass

Compare to 4120, 4130, 4140 & 4150

New Pricing



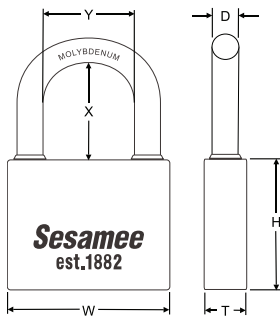
602



604



605



NO. 8618C

Part#	UPC Code	Shackle Clearance	Shackle Material	Keyed	Body Width	# of Pins	Shelf Pack	MSRP
-------	----------	-------------------	------------------	-------	------------	-----------	------------	------

**Stock Items 48 Hour Shipping:**

60201	021919602017	3/8" [10mm]	Alloy	KA1-P812	13/16" [20mm]	4	12	\$4.40
60202	021919602024	3/8" [10mm]	Brass	KA1-P812	13/16" [20mm]	4	12	\$4.40
60203	021919602031	3/8" [10mm]	Brass	KD	13/16" [20mm]	4	12	\$4.40
60204	021919602048	3/8" [10mm]	Alloy	KD	13/16" [20mm]	4	12	\$4.40
60301	021919603014	5/8" [16mm]	Alloy	KA1-P812	1-3/16" [30mm]	4	12	\$8.80
60302	021919603021	5/8" [16mm]	Brass	KA1-P812	1-3/16" [30mm]	4	12	\$8.80
60303	021919603038	5/8" [16mm]	Brass	KD	1-3/16" [30mm]	4	12	\$8.80
60304	021919603045	5/8" [16mm]	Alloy	KD	1-3/16" [30mm]	4	12	\$8.80
60401	021919604011	7/8" [22mm]	Alloy	KA1-CR62573	1-9/16" [40mm]	5	6	\$10.45
60402	021919604028	7/8" [22mm]	Brass	KA1-CR62573	1-9/16" [40mm]	5	6	\$10.45
60403	021919604035	7/8" [22mm]	Brass	KD	1-9/16" [40mm]	5	6	\$10.45
60404	021919604042	7/8" [22mm]	Alloy	KD	1-9/16" [40mm]	5	6	\$10.45
60405	021919604059	2-1/4" [57mm]	Alloy	KA1-CR62573	1-9/16" [40mm]	5	6	\$11.00
60406	021919604066	2-1/4" [57mm]	Brass	KA1-CR62573	1-9/16" [40mm]	5	6	\$11.00
60407	021919604073	2-1/4" [57mm]	Brass	KD	1-9/16" [40mm]	5	6	\$11.00
60408	021919604080	2-1/4" [57mm]	Alloy	KD	1-9/16" [40mm]	5	6	\$11.00
60501	021919605018	1-3/16" [30mm]	Alloy	KA1-CR62573	2" [50mm]	5	6	\$15.40
60502	021919605025	1-3/16" [30mm]	Brass	KA1-CR62573	2" [50mm]	5	6	\$15.40
60503	021919605032	1-3/16" [30mm]	Brass	KD	2" [50mm]	5	6	\$15.40
60504	021919605049	1-3/16" [30mm]	Alloy	KD	2" [50mm]	5	6	\$15.40
60505	021919605056	2-1/4" [57mm]	Alloy	KA1-CR62573	2" [50mm]	5	6	\$16.50
60506	021919605063	2-1/4" [57mm]	Brass	KA1-CR62573	2" [50mm]	5	6	\$16.50
60507	021919605070	2-1/4" [57mm]	Brass	KD	2" [50mm]	5	6	\$16.50
60508	021919605087	2-1/4" [57mm]	Alloy	KD	2" [50mm]	5	6	\$16.50

- **Lock body:** solid brass – 20, 30, 40, 50 mm
- **Shackle Material:** Alloy or brass
- **Locking mechanism:** bolt style, single or double locking available subject to size / style
- **Tumbler:** 4 or 5 pin
- 2 brass nickel plated brass keys provided
- KD or KA available
- 604/605 can be keyed to #2 and 1103 keycodes
- Product of Taiwan; designed in Wheeling, IL

Part#	DIMENSION (mm)					
	Lock Body			Shackle		
	W	H	T	D	X	Y
60201/02/03/04	20	20	10	3.7	10	10
60301/02/03/05	30	27	11	4.8	16	15
60401/02/03/05	40	33	13	6.35	22	22
60501/02/03/05	50	40	14	7.93	30	28
60405/06/07/08	40	33	13	6.35	57	22
60505/06/07/08	50	40	14	7.93	57	28

Key Section	Key Blank	Series	MFG PT #
	8618C-CR (5 Pin)	604 & 605	00651
	(Ilco Keyblank 1092B)	602 & 603	

- Keyway for 602xx and 603xx is W7 cylinder, M2 Keyway, (Ilco Keyblank 1092B)
- Keyway for 604xx and 605xx is CR
- Key Blank NO. S8690-CR will work for matching with Enclosure Lock Applications



## 904 Padlocks Pin Tumbler Solid Brass

Part#	UPC Code	(A) Shackle Clearance	Shackle Material	Keyed	Body Width	# of Pins	MFG PT #	Shelf Pack	MSRP
<b>Stock Items 48 Hour Shipping</b>									
904	021919001384	3/4"	Hardened Steel, Chrome Plated	KD	1-1/2"	5/6	02111	10	\$43.89
904	021919021115	3/4"	Hardened Steel, Chrome Plated	KA BAZ163	1-1/2"	5/6	00138	10	\$43.89
<b>Made-To-Order 2-4 Week Lead Time:</b>									
904		3/4"	Hardened Steel		1-1/2"	5/6			\$46.20
0904-CR		3/4"	Brass	CR	1-1/2"	5/6	0904505		\$46.20
0904-R1		3/4"	Brass	R1	1-1/2"	5/6	0904519		\$46.20
0904-R4		3/4"	Brass	R4	1-1/2"	5/6	0904522		\$46.20
0904		3/4"	Brass		1-1/2"	5/6			\$46.20
0904S-CR		1-1/4"	Brass	CR	1-1/2"	5/6	09045505		\$48.51
0904S-R1		1-1/4"	Brass	R1	1-1/2"	5/6	09045519		\$48.51
0904S-R4		1-1/4"	Brass	R4	1-1/2"	5/6	09045522		\$48.51
0904S-R4-Chain		1-1/4"	Brass	R4	1-1/2"	5/6	09045C522		\$52.91
0904S		1-1/4"	Brass		1-1/2"	5/6			\$48.51
904H-CR		2-1/2"	Hardened Steel		1-1/2"	5/6	904H505		\$49.67
904H-R1		2-1/2"	Hardened Steel		1-1/2"	5/6	904H519		\$49.67
904H-R4		2-1/2"	Hardened Steel		1-1/2"	5/6	904H522		\$49.67
904H		2-1/2"	Hardened Steel		1-1/2"	5/6			\$49.67
2217N			Zinc Plated Chain				422L838144		\$4.34
02217N			Brass Dipped Chain				422L832144		\$4.81
			Master Keying Charge						\$4.62

- **Keyways Available:** CR, R1, R4, VR
- **Number of Pin Tumblers:** 5 or 6
- **Regular Key Changes:** All different
- **Master Keying:** Available when specified on order
- **Special Stamping:** Available with case stamped to customer requirements when specified on order (\$3.15)
- Can be keyed to #2 and 1103 keycodes

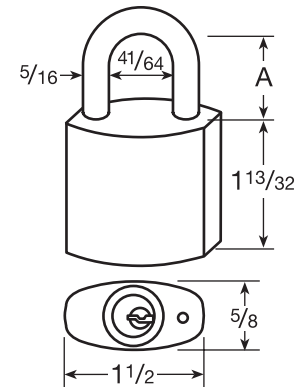
- **Chain:**
  - 904 Series: Available with 9" chain
  - Steel shackle with 2217N chain assembly
  - Brass shackle with 02217N chain assembly
  - Specify on order using suffix "C" (e.g., 904C)
- Unassembled padlocks available in this series
- **Keyblank:** 8618C
- Product of USA

### 9-inch Chain Assemblies for CCL Padlocks

Number	Used with Padlock Series	Material	For Shackle Diameter	Weight per pack of 10 (lbs./oz.)
2217N	904, 436, 437, 500, 95, 66	Steel, zinc plated	0.312	0/8
02217N	0904, 0436, 0437	Brass, dipped	0.312	0/8
2223N	906	Steel, zinc plated	0.375	0/10
02223N	0906	Brass, dipped	0.375	0/10



904 (02111)



### > Raw Materials

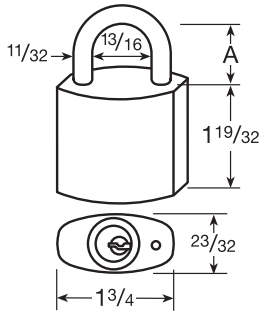


# Commercial

## 906 Padlocks Pin Tumbler Solid Brass



906 (02112)



- **Standard Keyway:** AR. Other keyways available.
- **Number of pin tumblers:** 5
- **Regular key changes:** all different
- **Master Keying:** Available masterkeyed when specified on order.
- **Chain:** can be furnishes with 9-inch chain. Steel shackle with 2223N chain assembly. Brass shackle with 02223N chain assembly. Suffix "C" to number on order, i.e. 9-6C. See p26 for 9-inch Chain Assemblies for CCL Padlocks
- **Special Stamping:** Available with case stamped to customer requirements when so ordered.
- **Unassembled padlocks:** Available in this series.

Part#	Shackle Clearance	Shackle Material	Keyed	Body Width	# of Pins	MFT PT #	Shelf Pack	MSRP
-------	-------------------	------------------	-------	------------	-----------	----------	------------	------

**Stock Items 48 Hour Shipping:**

906	13/16"	Hardened Steel, Chrome Plated	KD	1-3/4"	5/6	02112	10	\$48.51
906	13/16"	Hardened Steel, Chrome Plated	KA2A36485	1-3/4"	5/6	00140	10	\$48.51

**Made-To-Order 2-4 Week Lead Time:**

906-AR	13/16"	Hardened Steel	AR	1-3/4"	5/6	906501		\$48.51
906-WR	13/16"	Hardened Steel	WR	1-3/4"	5/6	906532		\$48.51
906	13/16"	Hardened Steel		1-3/4"	5/6			\$48.51
0906-AR	13/16"	Brass	AR	1-3/4"	5/6	0906501		\$49.67
0906-WR	13/16"	Brass	WR	1-3/4"	5/6	0906532		\$49.67
0906	13/16"	Brass		1-3/4"	5/6			\$49.67
906S-AR	1-1/4"	Hardened Steel	AR	1-3/4"	5/6	9065501		\$49.67
906S	1-1/4"	Hardened Steel		1-3/4"	5/6			\$49.67
0906S-AR-Chain	1-5/32"	Brass	AR	1-3/4"	5/6	0906SCA501		\$55.22
0906S	1-1/4"	Brass		1-3/4"	5/6			\$50.82
906W	1-3/4"	Hardened Steel		1-3/4"	5/6			\$48.51
0906W-AR	1-3/4"	Brass	AR	1-3/4"	5/6	0906W501		\$49.67
0906W	1-3/4"	Brass		1-3/4"	5/6			\$49.67
906H-AR	2-1/2"	Hardened Steel		1-3/4"	5/6	906H501		\$60.50
906H	2-1/2"	Hardened Steel		1-3/4"	5/6			\$60.50
0906H-AR	2-1/2"	Brass	AR	1-3/4"	5/6	0906H501		\$62.70
0906H	2-1/2"	Brass		1-3/4"	5/6			\$60.50
0906L-WR	1-1/2"	Brass	WR	1-3/4"	5/6	0906L532		\$60.50
0906L	1-1/2"	Brass		1-3/4"	5/6			\$60.50

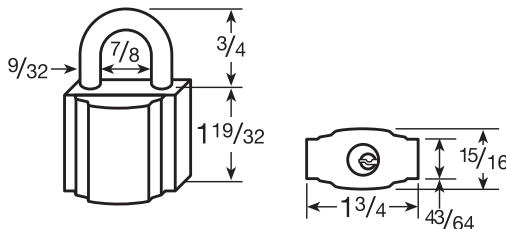
Master Key Charge

\$4.62

## 95 Padlocks Pin Tumbler



P95



Part#	Shackle Clearance	Body Width	# of Pins	MFT PT #	Shelf Pack	MSRP
-------	-------------------	------------	-----------	----------	------------	------

**Made-To-Order 8-10 Week Lead Time:**

95	3/4"	1-3/4"	6			\$29.00
2217N Chain - Zinc Plated				422L838144		\$4.34
02217N Chain - Brass Dipped				422L832144		\$4.81
Master Keying Charge						\$4.63

- **2 Keys Blank No.:** 8687C-CR
- **Keyways Available:** CR
- **Number of Pin Tumblers:** 6
- **Chain:** Available with 2217N steel chain assembly, 9" chain. Specify on order using suffix "C" (e.g., 95C). Can be keyed to #2, 12B and Ex Key Codes
- **Product of Taiwan;** designed in Wheeling, Illinois
- Heel and toe deadlocking security
- **Material:** Solid pressure cast case with silver gray finish
- Hardened steel, chrome plated shackle
- **Regular Key Changes:** All different
- **Master Keying:** Available when specified on order

## 4-Dial Resettable Brass Body with Brass Internal Parts

Part#	UPC Code	Shackle Clearance	# of Dials	Body Width	Finish	Packaging	Shelf Pack	Master Pack	MSRP
<b>Stock Items 48 Hour Shipping:</b>									
<b>K436</b>	021919001131	1"	4 Dial	2"	Brass	Trapped Blister	6	36	\$25.85
<b>436</b>	021919004361	1"	4 Dial	2"	Brass	Boxed	6	36	\$24.75
<b>K437</b>	021919001162	2-1/4"	4 Dial	2"	Brass	Trapped Blister	6	36	\$27.50
<b>437</b>	021919004378	2-1/4"	4 Dial	2"	Brass	Boxed	6	36	\$26.40
<b>K0436</b>	021919001148	1"	4 Dial	2"	Brass	Carded	5	50	\$27.50
<b>K0437</b>	021919027438	2-1/4"	4 Dial	2"	Brass	Carded	5	50	\$28.05
<b>KCR0436</b>	021919001155	1"	4 Dial	2"	Chrome	Carded	5	50	\$28.60
<b>K440</b>	021919004408	4"	4 Dial	2"	Brass	Carded	5	50	\$30.80
Change Pin Regular Sesamee® 576F0180002G									\$1.21

- Set-your-own 4-digit combination for convenience and security
- 10,000 possible combinations which can be easily changed and set
- 2" (51mm) wide solid brass case for superior security and weatherability
- All brass internal locking mechanism
- Tough heel and toe lever locking system
- Hardened steel - chrome plated shackle
- Automatic "0000" stop
- Product of Taiwan; Designed in Wheeling, Illinois

### Best Used for:

- Job boxes & gang boxes
- Utility meters, substations & cable boxes
- Tool chests, boxes and cribs
- Lockers

### 9-inch Chain Assemblies for CCL Padlocks

Number	Used with Padlock Series	Material	For Shackle Diameter	Weight per pack of 10 (lbs./oz.)
2217N	904, <b>436</b> , <b>437</b> , <b>500</b> , 95, 66	Steel, zinc plated	0.312	0/8
02217N	0904, <b>0436</b> , <b>0437</b>	Brass, dipped	0.312	0/8
2223N	906	Steel, zinc plated	0.375	0/10
02223N	0906	Brass, dipped	0.375	0/10

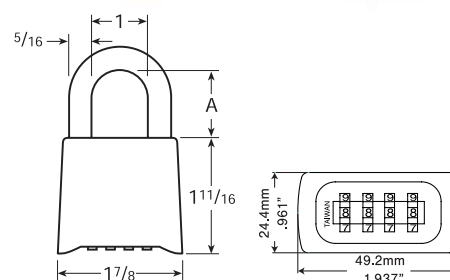
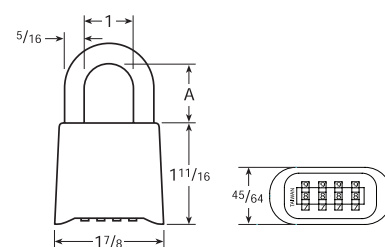
## 4-Dial Resettable Diecast with Brass Internal Parts

Part#	UPC Code	Shackle Clearance (A)	# of Dials	Body Width	Finish	Packaging	Shelf Pack	MSRP
<b>Stock Items 48 Hour Shipping:</b>								
<b>K500 3/4</b>	021919000875	1"	4 Dial	2"	Black	Carded	5	\$20.90
<b>K500 2-1/4</b>	021919000738	2-1/4"	4 Dial	2"	Black	Carded	5	\$22.00
Change Pin Regular Sesamee® 576F0180002G								\$1.21

- Set-your-own 4-digit combination for convenience and security
- 2" (51mm) wide (for 500 series) diecast body for durable security and weatherability
- 1" (25mm) and 2-1/4" [57mm] hardened steel - chrome plated shackle
- 10,000 possible combinations which can be easily changed and set
- All brass internal locking mechanism
- Tough heel and toe lever locking system
- Automatic "0000" stop
- Black epoxy finish

### Best Used for:

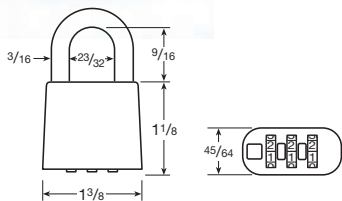
- Job boxes & gang boxes
- Utility meters, substations & cable boxes
- Tool chests, boxes and cribs
- Lockers



# DIY



AB410



## 3-Dial Resettable Diecast

Part#	UPC Code	Shackle Clearance	# of Dials	Body Width	Finish	Packaging	Shelf Pack	MSRP
-------	----------	-------------------	------------	------------	--------	-----------	------------	------

**Stock Items 48 Hour Shipping:**

<b>AB410</b>	021919000769	9/16"	3 Dial	1-3/8"	Black	Carded	5	\$12.10
--------------	--------------	-------	--------	--------	-------	--------	---	---------

- Set-your-own 3-digit combination for convenience and security
- 1" (25mm) wide diecast case for durable security and weatherability
- 1" (25mm) hardened steel chrome-plated shackle
- Set to one of 1,000 possible combinations
- Tough heel and toe lever locking system
- Product of Taiwan; designed in Wheeling, Illinois

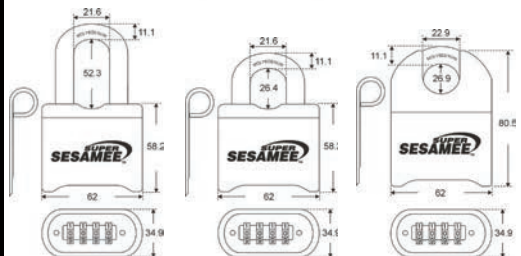
**Best Used for:**

- Job boxes & gang boxes
- Utility meters, substations & cable boxes
- Tool chests, boxes and cribs
- Lockers



K636

K646



## 4-Dial Heavy Duty Super Sesamee®

Part#	UPC Code	Shackle Clearance	# of Dials	Body Width	Finish	Packaging	Shelf Pack	MSRP
-------	----------	-------------------	------------	------------	--------	-----------	------------	------

**Stock Items 48 Hour Shipping:**

<b>K636</b>	021919006464	1"	4	2-1/2"	Black	Carded	5	\$46.20
<b>K637</b>	021919006365	2"	4	2-1/2"	Black	Carded	5	\$48.40
<b>K646</b>	021919006372	1"	4	2-1/2"	Black	Carded	5	\$62.70
<b>Change Pin Super Sesamee® 576F0280002G</b>								\$1.21

- Industrial strength combination lock resists the strongest hammer and pry bar attacks
- Hardened Steel Full Metal Jacket and Shroud
- Weather Resistant Black Electrocoating
- 7/16" Chrome Plated Alloy Shackle
- Inside Shackle Clearances: 1" and 2"
- Shackle Pull Strength: 2,750 pounds
- All Brass Inner Mechanism and Four All Brass Dials
- 10,000 Changeable Combinations

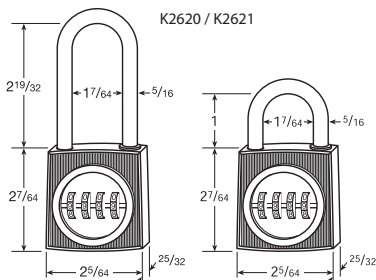
- Quick Delivery: Shipped from Stock
- Product of Taiwan; designed in Wheeling, Illinois

**Best Used for:**

- Job boxes & gang boxes
- Utility meters
- Substations & cable boxes
- Tool chests, boxes and cribs
- Lockers



K2620 / K2621



## 4-Dial Resettable Front Faced Diecast

Part#	UPC	Shackle Clearance	# of Dials	Body Width	Finish	Packaging	Shelf Pack	MSRP
-------	-----	-------------------	------------	------------	--------	-----------	------------	------

**Stock Items 48 Hour Shipping:**

<b>K2620PC</b>	048173026205	1"	4 Dial	2-5/64"	Chrome	Carded	5	\$20.90
<b>K2620PSB</b>	048173226209	1"	4 Dial	2-5/64"	Black	Carded	5	\$20.90
<b>K2621PC</b>	048173026212	2-1/2"	4 Dial	2-5/64"	Chrome	Carded	5	\$21.45
<b>K2621PSB</b>	048173226216	2-1/2"	4 Dial	2-5/64"	Black	Carded	5	\$21.45

- Heavy duty combination padlock
- Diecast housing for durable security and weatherability
- Hardened steel - chrome plated shackle
- 4-dials with 10,000 possible combinations
- Tough heel and toe lever locking system
- Product of Taiwan; designed in Wheeling, Illinois

**Best Used for:**

- Industrial, Storefront & Business Gates
- Manufacturing Environments
- Utility Meters, Substations & Cable Boxes
- Marine Recreation Lockers



## 436L • 437L Resettable Combination Laminated Padlocks

Part#	UPC Code	Shackle Clearance	# of Dials	Body Width	Finish	Packaging	Shelf Pack	MSRP
-------	----------	-------------------	------------	------------	--------	-----------	------------	------

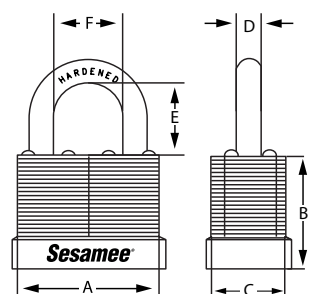
Stock Items 48 Hour Shipping:

<b>436L</b>	021919001261	1"	4	2"	Laminated	Box	6	\$15.40
<b>K436L</b>	021919000851	1"	4	2"	Laminated	Carded	6	\$15.95
<b>437L</b>	021919001278	2-1/4"	4	2"	Laminated	Box	6	\$16.50
<b>K437L</b>	021919000868	2-1/4"	4	2"	Laminated	Carded	6	\$17.05

- 4 dials with 10,000 possible combinations
- Steel shackle with quality plating
- Easy to reset your combination number at any time
- Keyless convenience

**Best Used to Secure:**

- Lockers
- Gates
- Tool chests
- Lockout



Part#	A Body Width mm	B Body Height mm	C Body Depth mm	D Shackle Diameter mm	E Shackle Clearance mm	F Shackle Clearance Width mm
<b>436L</b>	46	38	25	8	25	25
<b>K436L</b>	46	38	25	8	25	25
<b>437L</b>	46	38	25	8	57	25
<b>K437L</b>	46	38	25	8	57	25



436L



437L

## 165 Series Combination Padlocks

Part#	UPC Code	Shackle Clearance	# of Dials	Packaging	Shelf Pack	MSRP
-------	----------	-------------------	------------	-----------	------------	------

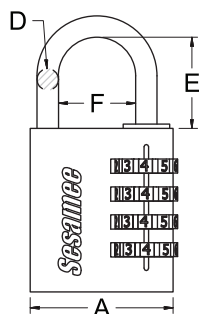
Stock Items 48 Hour Shipping:

<b>16520</b>	021919165208	3/4"	3	Decorative Box	6	\$12.59
<b>16530</b>	021919165307	1"	3	Decorative Box	6	\$13.64
<b>16540</b>	021919165406	1"	4	Decorative Box	6	\$17.84

- Tough Brass Lock Body
- Chrome Plated Shackle
- Keyless Convenience
- Create Your Own Combination
- Made in Taiwan

**Best Used to Secure:**

- Bags and suitcases
- Jewel boxes
- Cash boxes
- Cupboards
- Lockers
- Tool boxes
- Electrical boxes
- Switchboards, etc.



Part#	Body Width (A)	D	E	F	# of Dials
<b>16520</b>	20mm [3/4"]	3.2mm	21.6mm	9mm	3
<b>16530</b>	30mm [13/16"]	4.8mm	24mm	14.3mm	3
<b>16540</b>	40mm [1-9/16"]	6mm	25mm	21.6mm	4



16540



16530



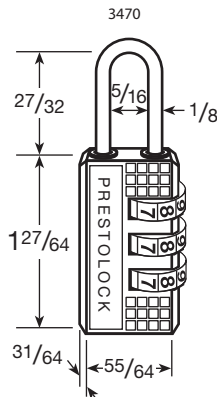
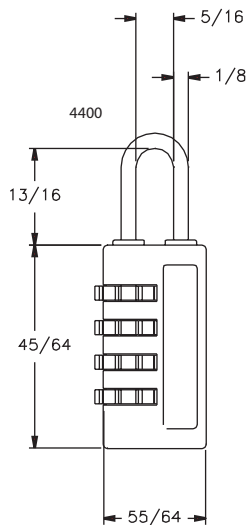
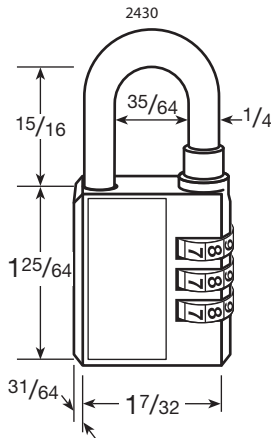
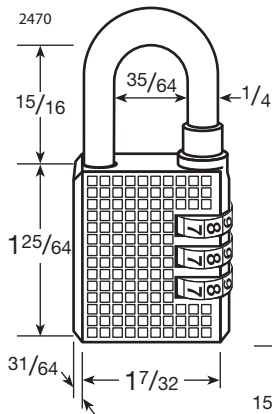
16520

# DIY

## Traditional Combination Padlocks



2470PSB



Part#	UPC Code	Shackle Clearance	# of Dials	Finish	MFT PT#	Shelf Pack	MSRP
-------	----------	-------------------	------------	--------	---------	------------	------

**Stock Items 48 Hour Shipping:**

<b>K1450PSB</b>		27/32"	3 Dial	Black		6	\$5.49
<b>B1450PSB</b>		27/32"	3 Dial	Black		Bulk/100	\$5.49
<b>K2400PSB</b>		27/32"	3 Dial	Black		Bulk/100	\$6.59
<b>B2400PSB</b>		27/32"	3 Dial	Black		Bulk/100	\$6.59
<b>B2430PFO</b>		15/16"	3 Dial	Orange		Bulk/100	\$7.69
<b>K2470BN</b>	048173247013	15/16"	3 Dial	Bright Nickel	<b>24701</b>	6	\$7.69
<b>B2470BN</b>		15/16"	3 Dial	Bright Nickel		Bulk/100	\$6.59
<b>K2470PSB</b>	048173247037	15/16"	3 Dial	Black	<b>24703</b>	6	\$7.69
<b>B2470PSB</b>		15/16"	3 Dial	Black		Bulk/100	\$6.59
<b>K2470BP</b>	048173247020	15/16"	3 Dial	Brass	<b>24702</b>	6	\$7.69
<b>K2470PTR</b>	048173247068	15/16"	3 Dial	Pewter	<b>24706</b>	6	\$7.69
<b>K2470PRD</b>	048173247105	15/16"	3 Dial	Red	<b>24710</b>	6	\$7.69
<b>K2470PFO</b>	048173247075	15/16"	3 Dial	Orange	<b>24707</b>	6	\$7.69
<b>K2470PFG</b>	048173247051	15/16"	3 Dial	Green	<b>24705</b>	6	\$7.69
<b>K3470BN</b>	048173347010	27/32"	3 Dial	Bright Nickel	<b>34701</b>	6	\$6.59
<b>B3470BN</b>		27/32"	3 Dial	Bright Nickel		Bulk/100	\$5.49
<b>K3470BP</b>	048173347027	27/32"	3 Dial	Brass	<b>34702</b>	6	\$6.59
<b>B3470BP</b>		27/32"	3 Dial	Brass	<b>3470BP</b>	Bulk/100	\$5.49
<b>K3470PSB</b>	048173347034	27/32"	3 Dial	Black	<b>34703</b>	6	\$6.59
<b>B3470PSB</b>		27/32"	3 Dial	Black	<b>3470PSB</b>	Bulk/100	\$5.49
<b>K3470PRD</b>	048173347102	27/32"	3 Dial	Red	<b>34710</b>	6	\$6.59
<b>B3470PRD</b>		27/32"	3 Dial	Red	<b>3470PRD</b>	Bulk/100	\$5.49
<b>K3470PFG</b>	048173347058	27/32"	3 Dial	Green	<b>34705</b>	6	\$6.59
<b>B3470PFG</b>		27/32"	3 Dial	Green	<b>3470PFG</b>	Bulk/100	\$5.49
<b>K3470PFO</b>	048173347072	27/32"	3 Dial	Orange	<b>34707</b>	6	\$6.59
<b>K3470PTR</b>	048173347065	27/32"	3 Dial	Pewter	<b>34706</b>	6	\$6.59
<b>K4400BN</b>		27/32"	4 Dial	Bright Nickel		6	\$7.69
<b>B4400BN</b>		27/32"	4 Dial	Bright Nickel		Bulk/100	\$6.59

*K stands for Carded; B stands for Bulk*

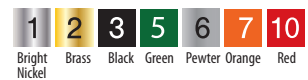
- Set-your-own combination convenience
- Easy to set and reset
- Various solid metal bodies which withstands abuse
- Nickel plated steel shackle for cut resistance
- Product of Taiwan; designed in Wheeling, Illinois

**Best Used For:**

- Storage Lockers
- School, Employee, & Athletic Lockers
- Cabinets

*Final Digit (347XX) denotes color*

**Color**



# Hidden Shackle 5-Pin



Zinc Product Added

Part#	UPC Code	Back	Body Material	Keyed	Body Width	# of Pins	Shelf Pack	Packaging	MSRP Price
<b>Stock Items 48 Hour Shipping:</b>									
93001	021919930011	Stepped	Zinc Diecast	0-bitted	2-7/8"	5	4	Boxed	\$33.00
93001	021919930011	Stepped	Hardened Steel	KA	2-7/8"	5	4	Boxed	\$44.00
93001-Z	021919930035	Stepped	Zinc Diecast	KA	2-7/8"	5	4	Boxed	\$33.00
93002	021919930028	Stepped	Hardened Steel	KD	2-7/8"	5	4	Boxed	\$44.00
93002-Z	021919930158	Stepped	Zinc Diecast	KD	2-7/8"	5	4	Boxed	\$33.00
93004	021919930042	Stepped	Hardened Steel	KD	2-7/8"	5	4	Clamshell	\$44.00
93005	021919930059	Flat Back	Hardened Steel	KA	2-7/8"	5	4	Boxed	\$44.00
93006	021919930066	Flat Back	Hardened Steel	KD	2-7/8"	5	4	Boxed	\$44.00
93007	021919930073	Stepped	Hardened Steel	KA	2-7/8"	5	4	Boxed	\$44.00
93008	021919930080	Stepped	Hardened Steel	KA	2-7/8"	5	4	Boxed	\$44.00
93009	021919930097	Stepped	Hardened Steel	KA	2-7/8"	5	4	Boxed	\$44.00
93010	021919930103	Stepped	Hardened Steel	KA	2-7/8"	5	4	Boxed	\$44.00
930SFIC	021919930110	Flat Back	Hardened Steel	SFIC	2-7/8"	N/A	4	Boxed	\$44.00
930KIK	021919930127	Flat Back	Hardened Steel	KIK	2-7/8"	N/A	4	Boxed	\$46.20
930-Dial-FB	021919003753	Flat Back	Hardened Steel	Dial	2-7/8"	N/A	4	Boxed	\$99.99
930-Dial		Stepped	Hardened Steel	Dial	2-7/8"	N/A	4	Boxed	\$99.99
<b>Accessories:</b>									
93020	021919930202		HASP for Hidden Shackle Padlock				10	Boxed	\$37.40
930-Core-0-bitted	021919930301		0-Bitted core for 930 series w/2 rung keys				10	Boxed	\$12.10
930-Core-KD	021919930356		KD core for 930 series w/2 rung keys				10	Boxed	\$12.10

- High security flat back hidden shackle padlock
- Lock body conceals shackle and defeats attempts to pry and cut
- 2-7/8" (73mm) wide alloy steel body withstands forcible attacks
- 3/8" (9mm) diameter boron alloy shackle
- High security, rekeyable 5-pin cylinder with spool pins is virtually impossible to pick
- Designed for Commercial/Industrial applications
- 930SFIC & 930KIK Housings only; cores are not included
- Product of Taiwan; designed in Wheeling, Illinois

### 930-Dial and 930-Dial-FB:

- Hardened steel lock body with US26D plating
- Snap-back silding dust cover design
- Steel bolt with quality plating
- Combine with the popular types of hasp to silding or swinging door security
- 4 dials with 10,000 possible combinations
- Easy to reset your combination number at any time
- Keyless convenience



93001



93001



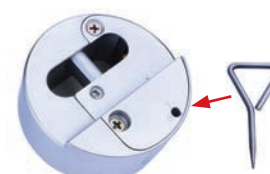
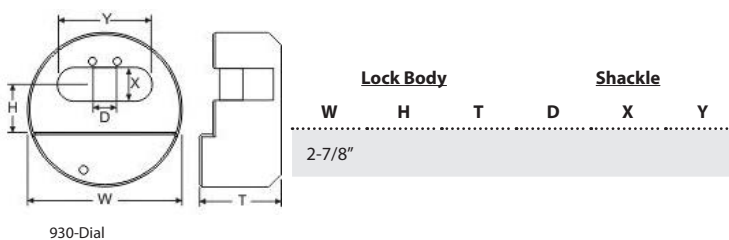
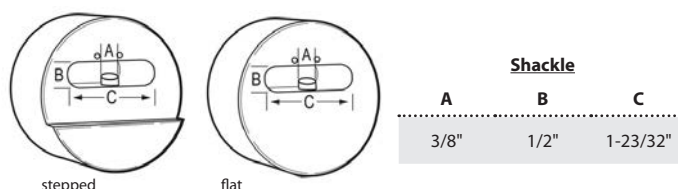
93005



930-Dial



> Puck lock assembly



**Change Code Pin** from this key hole. If you lost this pin, you can also use a flat head screwdriver instead.

# Commercial

## Round Body Hardened Steel

Keyed or SFIC, KIK & LFIC (less cylinder)



937



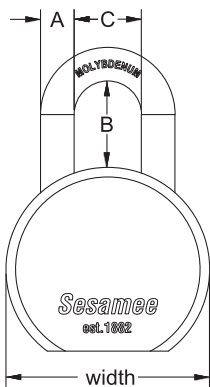
936



93610



Key Retainer



Part#	A	B	C
936	7/16"	1"	7/8"
9361C	7/16"	1-1/8"	7/8"
937	7/16"	2"	7/8"
9371C	7/16"	2-1/8"	7/8"

Part#	UPC Code	Shackle Clearance	Keyed	Body Width	# of Pins	Shelf Pack	Packaging	MSRP
-------	----------	-------------------	-------	------------	-----------	------------	-----------	------

**Stock Items 48 Hour Shipping:**

93601	021919936013	1"	KA62573	2-1/2"	5	6	boxed	\$30.80
93602	021919936020	1"	KD	2-1/2"	5	6	boxed	\$30.80
93604	021919936044	1"	KD	2-1/2"	5	6	clamshell	\$30.80
93610	021919936105	1-1/8"	KIK	2-5/8"	5	6	boxed	\$37.40
93611	021919936112	1-1/8"	LFIC Schlage	2-5/8"	5	6	boxed	\$37.40
93701	021919937010	2"	KA62573	2-1/2"	5	6	boxed	\$31.35
93702	021919937027	2"	KD	2-1/2"	5	6	boxed	\$31.35
93704	021919937041	2"	KD	2-1/2"	5	6	clamshell	\$31.35
93605	021919936051	1"	KA37784	2-1/2"	5	6	boxed	\$30.80
93606	021919936068	1"	KA63827	2-1/2"	5	6	boxed	\$30.80
93607	021919936075	1"	KA83575	2-1/2"	5	6	boxed	\$30.80
93608	021919936082	1"	KA24164	2-1/2"	5	6	boxed	\$30.80
93609	021919936099	1-1/8"	SFIC	2-5/8"	5	6	boxed	\$37.40
93705	021919937058	2"	KA37784	2-1/2"	5	6	boxed	\$31.35
93706	021919937065	2"	KA63827	2-1/2"	5	6	boxed	\$31.35
93707	021919937072	2"	KA83575	2-1/2"	5	6	boxed	\$31.35
93708	021919937089	2"	KA24164	2-1/2"	5	6	boxed	\$31.35
93709	021919937096	2-1/8"	SFIC	2-5/8"	5	6	boxed	\$37.95
93710	021919937102	2-1/8"	KIK	2-5/8"	5	6	boxed	\$37.95
93711	021919937119	2-1/8"	LFIC Schlage	2-5/8"	5	6	boxed	\$37.95

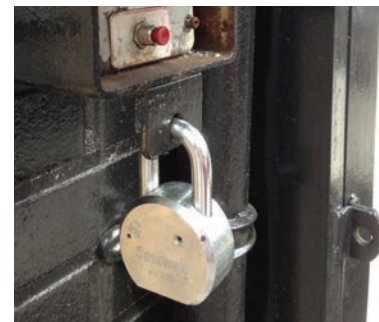
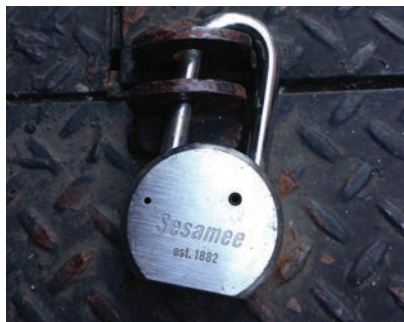
**Replacement Shackles:**

	Material	Diameter	Finish		
99936-1C For 93609, 93610, 93611	Moly	7/16"	Chrome	Stock Qty 10 pcs	\$10.50
99937-1C For 93709, 93710, 93711	Moly	7/16"	Chrome	Stock Qty 10 pcs	\$11.00

- Keyed 936/937 in the popular American® AM3 Keyway
- Alloy shackle is standard
- 2-1/2" (64mm) wide round solid steel body
- Chrome rustproofing provides longer life
- 1-1/8" (28.57mm) or 2" (51mm) tall, 7/16" (11mm) alloy shackle for superior cut resistance
- Dual ball bearing locking mechanism resists pulling & prying
- High security, rekeyable 5-pin cylinder with spool pins virtually impossible to pick
- All padlocks come Non Key Retaining
- Key retaining set screw included with each lock
- Product of Taiwan; designed in Wheeling, Illinois

**Best Used in:**

- Industrial, Storefront & Business Gates
- Manufacturing Environments
- Utility Meters, Substations & Cable Boxes
- Marine Recreation





# Commercial

## 100 Series Discus Padlock

Part#	UPC Code	Body Width	Body Thickness	Shackle Diameter	Clearance Vert.	Clearance Horiz.	Keyed, Box / Carded	Shelf Pack	Master Carton	MSRP
-------	----------	------------	----------------	------------------	-----------------	------------------	---------------------	------------	---------------	------

**Stock Items 48 Hour Shipping:**

10010	021919100100	2-3/4"	1-11/50"	3/8"	3/4"	3/4"	KD, BOX PK	6	30	\$25.30
10011	021919100117	2-3/4"	1-11/50"	3/8"	3/4"	3/4"	1983 KA1, BOX PK	6	30	\$25.30
10012	021919100124	2-3/4"	1-11/50"	3/8"	3/4"	3/4"	1985 KA2, BOX PK	6	30	\$25.30
10013	021919100131	2-3/4"	1-11/50"	3/8"	3/4"	3/4"	1979 KA3, BOX PK	6	30	\$25.30
10014	021919100148	2-3/4"	1-11/50"	3/8"	3/4"	3/4"	1984 KA4, BOX PK	6	30	\$25.30
10015	021919100155	2-3/4"	1-11/50"	3/8"	3/4"	3/4"	1988 KA5, BOX PK	6	30	\$25.30
10016	021919100162	2-3/4"	1-11/50"	3/8"	3/4"	3/4"	MK, BOX PK	6	30	\$25.30
10020	021919100209	2-3/4"	1-11/50"	3/8"	3/4"	3/4"	KD, Carded	6	30	\$25.30

**Accessories: 100-KB-4PIN**

50 to a box each \$1.10

- Fully shrouded design minimizes shackle exposure and protects against bolt cutter attacks
- 2-3/4" (70mm) wide stainless steel lock body resists corrosion
- Hardened steel shackle for extra cut resistance
- Double deadbolt locking for superior pry resistance
- 5-pin cylinder helps prevent picking
- Key retaining feature ensures padlock is not left unlocked
- KD has 978 key changes
- Product of Taiwan; Designed in Wheeling, IL

**Best Used for:**

- Self Storage Units
- Storage Lockers
- Sheds, Workshops & Garages
- Trailers, Vans & Moving Trucks



10010



## K410D Series

### Rotary Dial Combination Padlocks

Part#	UPC Code	Shackle Clearance	Shackle Diameter	Body Width	Shelf Pack	Master Carton	MSRP
-------	----------	-------------------	------------------	------------	------------	---------------	------

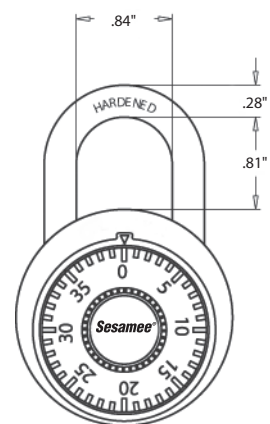
**Stock Items 48 Hour Shipping:**

K410D	021919999025	3/4" [19mm]	.28" [7mm]	1-3/4 [48mm]	6	36	\$6.99
-------	--------------	-------------	------------	--------------	---	----	--------

- Anti-shim feature resists the most common shimming methods
- Aluminum body for greater security and durability
- Hardened steel shackle
- Most cost-effective locking solution
- Other Colors available special order
- All Padlocks have a 1 year warranty from time of shipment
- Requires a padlock hasp of at least 5/16"



K410D



# Travel Security

Featuring the Green / Red SearchAlert® Indicator

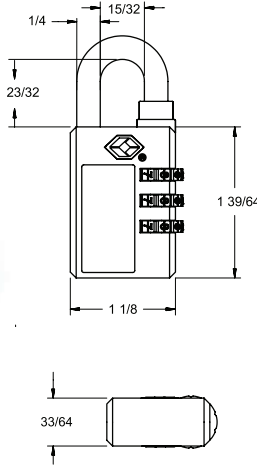


From the moment the airlines handle your checked bags and luggage to the time you leave your bags in your hotel room, with the valet or even in the car, a Sesamee® TSA-Accepted Travel Lock can help keep your personal items safer and make your trip more pleasurable. Sesamee® offers the most complete line of TSA-Accepted Locks you can travel with. Now, the trusted security leader has made remembering your combination easier than ever with the introduction of the new low-cost TSA-Accepted Set-Your-Own combination lock.

- Airport Luggage & Case Security • TSA Accepted • TSA Recognized • Opened Lock Warning • Patented Security Window Prevents Surreptitious Entry • Available from Stock
- 1,000 Re-settable Combinations • Regular and Heavy Duty Shackles • Lock has been Opened • Green Window = Lock has Not Been Opened



K6430BN



## TRAVEL LOCK SearchAlert® Heavy Duty Shackle

Part#	UPC Code	Shackle Clearance	# of Dials	Body Width	Finish	Shelf Pack	MSRP
<b>Stock Items 48 Hour Shipping:</b>							
K6430PSB	048173264300	23/32"	3 Dial	1-1/8"	Black	6	\$12.08
K6430PTR	048173364338	23/32"	3 Dial	1-1/8"	Pewter	6	\$12.08
K6430BN	048173064306	23/32"	3 Dial	1-1/8"	Bright Nickel	6	\$12.08
K6430BP	048173164303	23/32"	3 Dial	1-1/8"	Brass	6	\$12.08

• Product of Taiwan; designed in Wheeling, Illinois



K6435PSB



K6435PTR

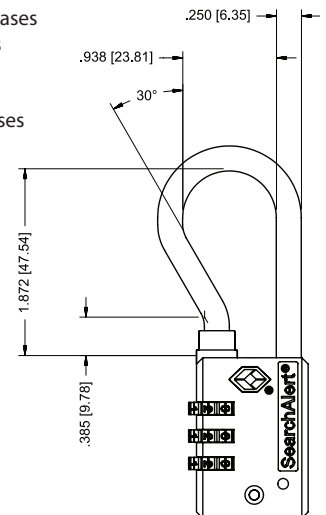
## TRAVEL LOCK SearchAlert® Looped Shackle Case Heavy Duty

Part#	UPC Code	Shackle Clearance	# of Dials	Body Width	Finish	Shelf Pack	MSRP
<b>Stock Items 48 Hour Shipping:</b>							
K6435PSB	048173264355	1-1/2"	3 Dial	1-1/8"	Black	6	\$12.60
K6435PTR	048173364383	1-1/2"	3 Dial	1-1/8"	Pewter	6	\$12.60

- Shackle designed to accommodate security cases
- Security Window cannot be altered with a paper clip
- Security Window can only be reset by a person knowing the combination
- Zinc Die Cast Body (Not Brittle Plastic)
- Steel Shackle is virtually unbreakable
- Product of Taiwan; designed in Wheeling, IL

### Best Used for:

- Hardened Cases
- Music Cases
- Gun Cases
- Luggage
- Golf Bag Cases





Featuring the Green / Red SearchAlert® Indicator

# Travel Security

## TRAVEL LOCK SearchAlert® 747 Series Padlocks

Part#	UPC Code	Shackle Clearance	# of Dials	Body Width	Finish	Packaging	Shelf Pack	Master Pack	MSRP
<b>Stock Items 48 Hour Shipping:</b>									
74701	048173747018	3/4"	3 Dial	1-19/64"	Nickel	Carded	6	36	\$11.03
74702	048173747025	3/4"	3 Dial	1-19/64"	Brass	Carded	6	36	\$11.03
74703	048173747032	3/4"	3 Dial	1-19/64"	Black	Carded	6	36	\$11.03
74703x2	048173747209	3/4"	3 Dial	1-19/64"	Black	Carded	6	36	\$22.05
74704	048173747049	3/4"	3 Dial	1-19/64"	Blue	Carded	6	36	\$11.03
74705	048173747056	3/4"	3 Dial	1-19/64"	Green	Carded	6	36	\$11.03
74706	048173747063	3/4"	3 Dial	1-19/64"	Pewter	Carded	6	36	\$11.03
74706x2	048173747216	3/4"	3 Dial	1-19/64"	Pewter	Carded	6	36	\$22.05
74707	048173747070	3/4"	3 Dial	1-19/64"	Orange	Carded	6	36	\$11.03
74708	048173747087	3/4"	3 Dial	1-19/64"	Pink	Carded	6	36	\$11.03
74709	048173747094	3/4"	3 Dial	1-19/64"	Purple	Carded	6	36	\$11.03
74710	048173747100	3/4"	3 Dial	1-19/64"	Red	Carded	6	36	\$11.03
74710x2	048173747223	3/4"	3 Dial	1-19/64"	Red	Carded	6	36	\$22.05
74711	048173747117	3/4"	3 Dial	1-19/64"	Yellow	Carded	6	36	\$11.03
74712	048173747124	3/4"	3 Dial	1-19/64"	White	Carded	6	36	\$11.03
74713	048173747131	3/4"	3 Dial	1-19/64"	Camouflage	Carded	6	36	\$11.03



74703

- New packaging
- Lighter, Compact Design
- SearchAlert® Feature
- All Colors Available in One Series
- Painted Dials
- Metal Construction
- Designed in USA



# Travel Security

Featuring the Green / Red SearchAlert® Indicator



94506

94510

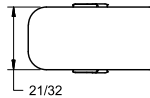
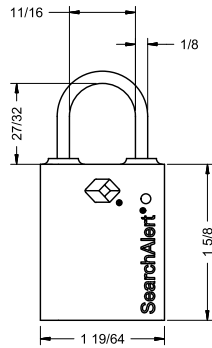
## TRAVEL LOCK SearchAlert® Keyed

Part#	UPC Code	Shackle Clearance	Keyed	Body Width	Finish	Shelf Pack	MSRP
-------	----------	-------------------	-------	------------	--------	------------	------

**Stock Items 48 Hour Shipping:**

94503	048173945032	15/16"	KD	1-19/64"	Black	6	\$9.44
94503x2	048173945209	15/16"	KD	1-19/64"	Black	6	\$18.88
94506	048173945063	15/16"	KD	1-19/64"	Pewter	6	\$9.44
94506x2	048173945216	15/16"	KD	1-19/64"	Pewter	6	\$18.88
94510	048173945100	15/16"	KD	1-19/64"	Red	6	\$9.44
94510x2	048173945223	15/16"	KD	1-19/64"	Red	6	\$18.88

- 3 Colors, Black/Red/Pewter
- 2 Keys
- Steel body provides added resistance to corrosion
- KD and KA available
- Lightweight For Air Travel
- Product of Taiwan; designed in Wheeling, Illinois



## TRAVEL LOCK SearchAlert® 4 Dial Lock

Part#	UPC Code	Shackle Clearance	# of Dials	Body Width	Finish	MFT PT#	Shelf Pack	MSRP
-------	----------	-------------------	------------	------------	--------	---------	------------	------

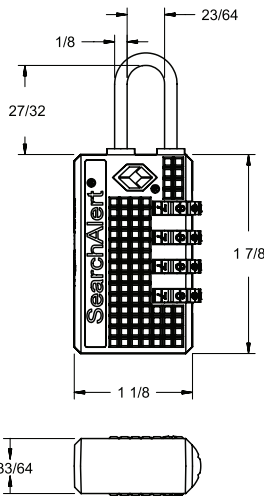
**Stock Items 48 Hour Shipping:**

K8470PSB	048173284704	3/4"	4 Dials	1-1/8"	Black		6	\$12.08
B8470PSB		3/4"	4 Dials	1-1/8"	Black	8470PSB	Bulk/100	\$11.81
K8470PTR	048173384732	3/4"	4 Dials	1-1/8"	Pewter		6	\$11.82
B8470PTR		3/4"	4 Dials	1-1/8"	Pewter	8470PTR	Bulk/100	\$11.81

- Airport Luggage & Case Security
- TSA Accepted
- TSA Recognized
- Opened Lock Warning
- Patented Security Window Prevents Surreptitious Entry
- Red Window = Lock Opened
- Green Window = Lock Not Opened
- 10,000 Re-settable Combinations
- Regular and Heavy Duty Shackles
- Available From Stock
- Product of Taiwan; designed in Wheeling, Illinois



8470PTR







Featuring the Green / Red SearchAlert® Indicator

# Travel Security

## TRAVEL LOCK SearchAlert® 947 Series

Part#	UPC Code	Shackle Clearance	Body Width	Finish	Shelf Pack	MSRP
<b>Stock Items 48 Hour Shipping:</b>						
94703	048173947036	1-1/4"	1"	Black	6	\$19.95
94703x2	048173947203	1-1/4"	1"	Black	6	\$39.90
94706	048173947067	1-1/4"	1"	Pewter	6	\$19.95
94706x2	048173947210	1-1/4"	1"	Pewter	6	\$39.90
94710	048173947104	1-1/4"	1"	Red	6	\$19.95
94710x2	048173947227	1-1/4"	1"	Red	6	\$39.90

- Metal
- Patented Security Window
- Durable Cast Zinc-Alloy Construction
- TSA approved
- Designed in USA, Made in Taiwan
- Flexible Cable



## TRAVEL LOCK SearchAlert® Combination TSA Accepted Non-Indicator



Part#	UPC Code	Shackle Clearance	# of Dials	Body Width	Finish	Shelf Pack	MSRP
<b>Stock Items 48 Hour Shipping:</b>							
50003	048173500033	3/4"	3 Dials	1"	Black	6	\$7.72
50001	048173500019	3/4"	3 Dials	1"	Nickel	6	\$7.72
50002	048173500026	3/4"	3 Dials	1"	Brass	6	\$7.72
50012	048173500125	3/4"	3 Dials	1"	White	6	\$7.72
50006	048173500064	3/4"	3 Dials	1"	Pewter	6	\$7.72
50011	048173500118	3/4"	3 Dials	1"	Yellow	6	\$7.72
50007	048173500071	3/4"	3 Dials	1"	Orange	6	\$7.72
50008	048173500088	3/4"	3 Dials	1"	Pink	6	\$7.72
50005	048173500057	3/4"	3 Dials	1"	Green	6	\$7.72
50004	048173500040	3/4"	3 Dials	1"	Blue	6	\$7.72
50009	048173500095	3/4"	3 Dials	1"	Purple	6	\$7.72
50010	048173500101	3/4"	3 Dials	1"	Red	6	\$7.72



- TSA Accepted
- Airport Luggage & Case Security
- 1,000 Re-settable Combinations
- Regular and Heavy Duty Shackles
- Available From Stock
- Product of Taiwan; designed in Wheeling, Illinois

# Travel Security

Featuring the Green / Red SearchAlert® Indicator



## TRAVEL LOCK SearchAlert® Cable Lock with Indicator



75003



75010



75006

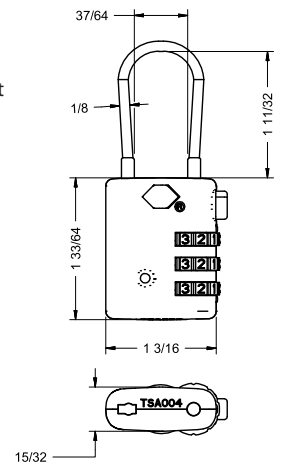
Part#	UPC Code	Shackle Clearance	# of Dials	Body Width	Finish	Shelf Pack	MSRP
-------	----------	-------------------	------------	------------	--------	------------	------

**Stock Items 48 Hour Shipping:**

75003	048173750032	1-1/4"	3 Dials	1-1/2"	Black	6	\$12.60
75006	048173750063	1-1/4"	3 Dials	1-1/2"	Pewter	6	\$12.60
75010	048173750100	1-1/4"	3 Dials	1-1/2"	Red	6	\$12.60

other colors available upon request and are subject to minimum order

- Equipped with a convenient 3-dial, easy-to-set combination of your own choosing
- Has as a flexible cable, allowing TSA screeners to inspect and re-lock baggage without damaging the lock
- Flexible cable resists abuse from airport luggage handling equipment and is built with a 1-1/8 inch (30mm) wide durable metal frame.
- Unique status changing window alerts you if your lock has been opened with a TSA secured tool, or by an unauthorized person using a counterfeit device.
- Product of Taiwan; designed in Wheeling, Illinois



## Easy Open SearchAlert® 751 Series Cable Lock with Indicator



75103



75110



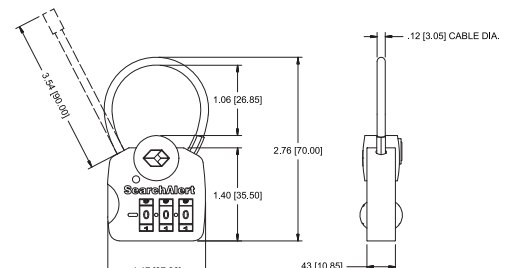
75106

Part#	UPC Code	Shackle Clearance	# of Dials	Body Width	Finish	Shelf Pack	MSRP
-------	----------	-------------------	------------	------------	--------	------------	------

**Stock Items 48 Hour Shipping:**

75103	048173751039	1-1/16"	3 Dials	1-15/32"	Black	6	\$12.60
75106	048173751060	1-1/16"	3 Dials	1-15/32"	Pewter	6	\$12.60
75110	048173751107	1-1/16"	3 Dials	1-15/32"	Red	6	\$12.60

- Large pushbutton for "easy open" access to your luggage.
- Easy read, large horizontal combination dials.
- Combination dials that "click-in" to confirm you're on the number you desire.
- Light weight, sturdy metal body with tough flexible steel locking cable.
- Unique status changing window alerts you if your lock has been
- Opened with a TSA secured tool or by an unauthorized person using a counterfeit device.
- Allows you to scramble combination dials immediately after opening to avoid locking and leaving lock on your combination.
- Product of Taiwan; designed in Wheeling, Illinois.



## Big Tag® Durable Identification Tags

Part#	Description	Shelf Pack	MSRP
<b>Round Colors 4-1/2" Circle</b>			
BT80190	Fluorescent Blue	12	\$6.99
BT80290	Fluorescent Green	12	\$6.99
BT80390	Fluorescent Yellow	12	\$6.99
BT80490	Fluorescent Orange	12	\$6.99
BT80590	Fluorescent Red	12	\$6.99
BT80690	Fluorescent Pink	12	\$6.99
BT80790	Black	12	\$6.99
BT81850	Camouflage	12	\$6.99
BT81100	World	12	\$6.99
<b>Round Sports 4-1/2" Circle</b>			
BT81125	Football	12	\$6.99
BT81225	Basketball	12	\$6.99
BT81325	Baseball	12	\$6.99
BT81425	Tennis Ball	12	\$6.99
BT81525	Soccer Ball	12	\$6.99
BT81625	Golf Ball	12	\$6.99
BT81825	Volleyball	12	\$6.99



- Made of durable impact resistant plastic.
- Available in a variety of colors and sizes:
- Sports-specific Tags are great for identifying teams or individual sports equipment and bags.

Part#	Description	Shelf Pack	MSRP
<b>BTS-4 Sports Personal Security Tag 3-1/2" Circle</b>			
BTS86225	Basketball	12	\$6.99
BTS86325	Baseball	12	\$6.99
BTS86425	Tennis	12	\$6.99
BTS86525	Soccer Ball	12	\$6.99
BTS86625	Golf Ball	12	\$6.99
<b>BTS-5 Sports Personal Security Tag 3-1/2" Circle</b>			
BTS88190	Blue	12	\$6.99
BTS88290	Green	12	\$6.99
BTS88390	Yellow	12	\$6.99
BTS88490	Orange	12	\$6.99
BTS88590	Red	12	\$6.99
BTS88690	Pink	12	\$6.99
BTS86725	Camouflage	12	\$6.99
<b>BTS Oblong Personal Security Tag 2-1/4" x 3-3/8"</b>			
BTS85190	Blue	12	\$6.99
BTS85290	Green	12	\$6.99
BTS85390	Yellow	12	\$6.99
BTS85490	Orange	12	\$6.99
BTS85590	Red	12	\$6.99
BTS85690	Pink	12	\$6.99
BT80790	Black	12	\$6.99



## Prestoseals

Part#	UPC Code	Description	Color	Pieces per card	MSRP
<b>Stock Items 48 Hour Shipping:</b>					
K61900	048173619001	Deluxe Seals – Carded	Black	6	\$4.20
K61901	048173619018	Rugged Seals – Carded	Red	6	\$4.46
K61902	048173619025	Mini Seals – Carded	Yellow	6	\$2.89
61900		Deluxe Seals – Bulk	Black		\$0.70
61901		Rugged Seals – Bulk	Red		\$0.75
61902		Mini Seals – Bulk	Yellow		\$0.48

### 61902 - 61900:

- No sealing tool required
- Numbers and letters are hot stamped
- Tamper-proof shank and collar
- Removable only by destructive means
- Rust and corrosion proof Non-magnetic 100% recyclable

### 61901:

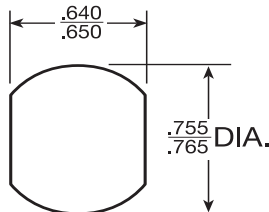
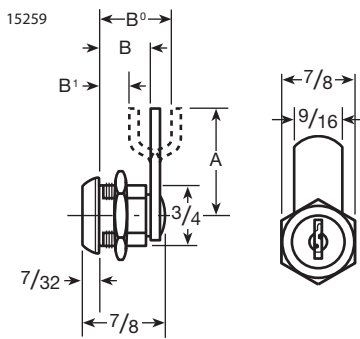
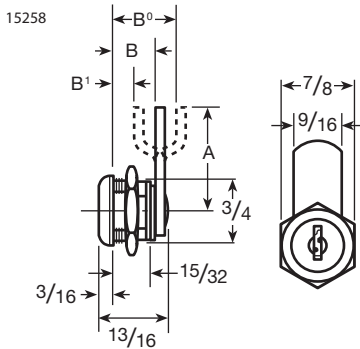
- Plastic body, galvanized wire hasp
- No sealing tool required
- Body can be hot stamped in black (or white) up to 13 characters on each of 3 lines, plus up to 7-digit sequential numbers
- Multiple body colors and hasp designs
- U.S. and U.K. Customs approved
- In-stock seals stamped "SECURED" with sequential numbering
- Recyclable



# Cam Locks

## The Fire Pull Station Lock

## 15258 | 15259 Cam Lock With Spun-On Cam DISC TUMBLER Cannot be Masterkeyed



Part#	Length	Keyed	Master Keyed	Finish	Stock Quantity	MSRP
-------	--------	-------	--------------	--------	----------------	------

**Made-to-Order Items:**

15258	13/16"			US26D		\$8.91
C15258	13/16"			US26D		\$8.91
15259	7/8"			US26D		\$9.08
A15259	7/8"			US26D		\$9.08
C15259	7/8"			US26D		\$9.08
AC15259	7/8"			US26D		\$9.08

- **Material:** Pressure Cast
- **Cams:** See dimension in table. Cams measured from center of cylinder to end of cam. Cam cannot be removed.
  - **15258 Cam Positions:** Regularly furnished with cam mounted in locked position at 12 o'clock. Specify on order if different position required.
  - **15259 Cam Positions:** Regularly furnished with cam mounted in locked position at 12 o'clock. Specify on order if different position required. End of cylinder plug milled square. Cams punched with square hole to allow cam to be applied in any one of four positions.
- **Cam Rotation:** Furnished with 90 or 180 degree rotation. Specify on order. (Regular rotation 90 degrees counter clockwise from 12 to 9 o'clock).
  - **15258:** 180 degree stop cam allows key to throw cam 180 degrees which permits key to be withdrawn in both locked and unlocked positions. 90 degree stop cam allows key to throw cam 90 degrees which permits key to be removed in locked position only.
  - **15259:** Key removable in both locked and unlocked positions.
- **Clip:** Also available with clip.
- **A15259:** Same as 15259 except cam is affixed with nut. C15259 or AC15259 available with clip

Cam No.	Length	Distance Under Head to Cam					
		No. 15258*			No. 15259*		
		B	B'	B <sup>o</sup>	B	B'	B <sup>o</sup>
C2S	7/8"	15/32"			1/2"		
C2L	1 1/4"	15/32"			1/2"		
C3S	7/8"		11/32"			3/8"	
C3L	1 1/4"		11/32"			3/8"	
C4S	7/8"		7/32"			1/4"	
C4L	1 1/4"		7/32"			1/4"	
C5S	7/8"				19/32"		5/8"
C5L	1 1/4"				19/32"		5/8"
C6S	7/8"				23/32"		7/8"
C6L	1 1/4"				23/32"		7/8"

\*Specify cam required on order, i.e., 15258 x C2S.

Part No./Cyl Length	MKYD	US2G	US26D	US14	Stock Qty	Approx Wt. (lbs./oz.)
15258	.	.				
C15258	.	.				
15259	.	.				
A15259	.	.				
C15259	.	.				
AC15259	.	.				
15295D	.		.			
15295A Cam		.				
15295D Cam		.				

\*Other keypulls and keying available with minimum quantity orders. Check with Customer Service.



## 15295D Cam Lock

DISC TUMBLER Cannot be Masterkeyed

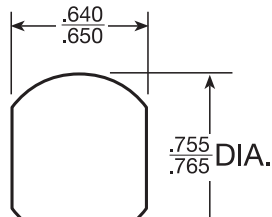
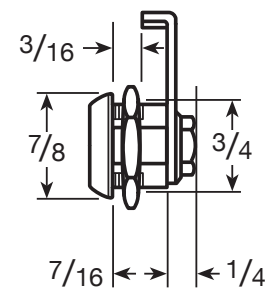
Made-to-Order Items:		Finish	MFT PT #	MSRP
15295D	7/16"	US26D		\$9.08
15295D	Cam	US2G	308F9280002G	\$1.80
15295A	Cam		329F6680002G	\$1.80
S16597	Cam		349F4880002G	\$1.80

- **Material:** Pressure Cast
- **Cam Positions:** Regularly furnished with cam mounted in locked position at 12 o'clock. Specify on order if different position required.
- **Cam Rotation:** 180 degree rotation only available. 12-6 or 6-12

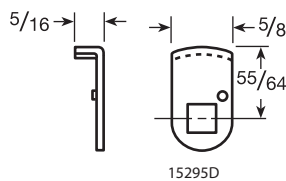
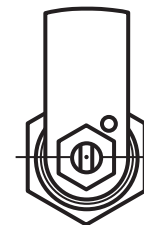
Part No/Cyl Length	MKYD	US2G	US26D
15295D	.	.	.
15295A Cam	.	.	.
15295D Cam	.	.	.



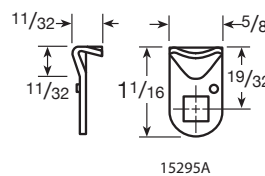
15295D



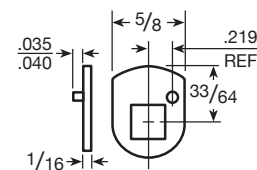
Mounting Cutout: "Double D" - Standard cutout for Disc Tumbler Cam Locks



15295D



15295A



S16597

# Cam Locks

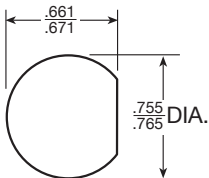
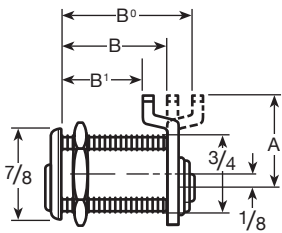
## 15748 & 15749 Cam Lock PIN TUMBLER Can be Masterkeyed Compares to Olympus DCR1



15748



15749



**Mounting Cutout:**  
"Single D" – Standard  
cutout for RH & LH Pin  
Tumbler Cam Locks

Made-to-Order Items:	Keyed	Finish	MSRP
15748	4-Pin	US4	\$44.49
15748	4-Pin	US14	\$44.49
15748	4-Pin	US26D	\$44.49
15749	5-Pin	US4	\$48.65
15749	5-Pin	US14	\$48.65
15749	5-Pin	US26D	\$48.65
Master Keying Charge			\$4.41

- **Keyways Available:** R1 & CR
- **Material:** Brass
- **Cylinder:** Slabbed on one side
- **Regular Key Changes:** All different
- **Key Blank No.:**  
8632C-R1 (4 pin) for 15748  
8618C-R1 (5 pin) for 15749  
8618C-R1 (5-Pin) for 15783
- **Cam Rotation:**  
Furnished with 90 degree rotation  
(12 o'clock to 3 o'clock standard).  
Key removable in locked  
position only.

Part No./Cyl Length	MKYD	US4	US14	US26D
15748	.	.	.	.
15749	.	.	.	.

Cam No.	Length	Distance Under Head to Cam					
		No.15748*			No. 15749*		
		B	B'	B''	B	B'	B''
C2S	7/8"	5/8"			13/16"		
C2L	1-1/4"	5/8"			13/16"		
C3S	7/8"		1/2"			1 1/16"	
C3L	1-1/4"		1/2"			1 1/16"	
C4S	7/8"		3/8"			9/16"	
C4L	1-1/4"		3/8"			9/16"	
C5S	7/8"			3/4"			15/16"
C5L	1-1/4"			3/4"			15/16"
C6S	7/8"			7/8"			1-1/16"
C6L	1-1/4"			7/8"			1-1/16"

\*Specify cam required on order, i.e. 15748 x C2S

## 15751 | 15752 | 15753 Cam Lock

DISC TUMBLER Can be Masterkeyed

Part#	Length	Keyed	Master Keyed	Finish	MFT PT #	Stock Quantity	Boxed Weight lbs/oz	MSRP
-------	--------	-------	--------------	--------	----------	----------------	---------------------	------

**Stock Items 48 Hour Shipping:**

<b>B15751</b>	5/8"	KD AUE		US26D	<b>00218</b>	25	5/9	\$6.68
<b>B15751</b>	5/8"	KA CAT 30		US26D	<b>00219</b>	25	5/9	\$6.68
<b>B15751</b>	5/8"	KA CAT 60		US26D	<b>02656</b>	25	5/9	\$6.68
<b>B15751</b>	5/8"	KD MKY M8003		US26D	<b>02654</b>	25	5/9	\$7.89
<b>B15752</b>	13/16"	KD AUE		US26D	<b>02645</b>	25	5/9	\$7.89
<b>B15752</b>	13/16"	KACAT 30		US26D	<b>02660</b>	25	5/9	\$7.89
<b>B15752</b>	13/16"	CAT60		US26D	<b>02661</b>	25	5/9	\$7.89
<b>B15752</b>	13/16"	MKY M8003(KD)		US26D	<b>02662</b>	25	5/9	\$9.10

**Made-to-Order Items:**

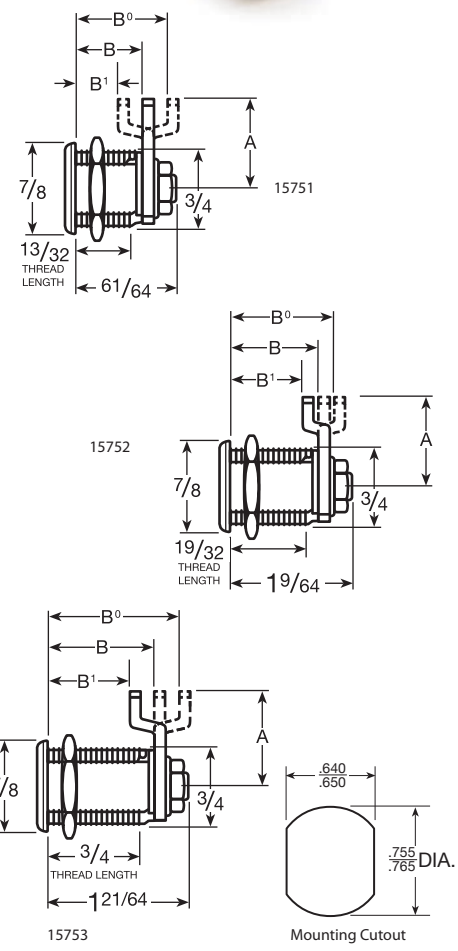
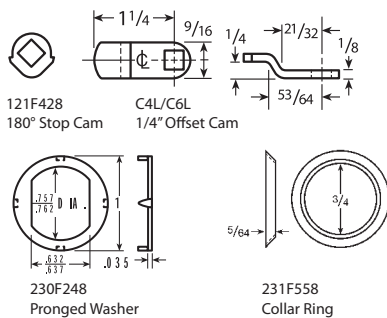
<b>15751</b>	5/8"			US4				\$8.40
<b>15751</b>	5/8"			US26D				\$8.40
<b>B15751</b>	5/8"			US4				\$10.50
<b>B15751</b>	5/8"			US26D				\$10.50
<b>C15751</b>	5/8"			US4				\$8.40
<b>C15751</b>	5/8"			US26D				\$8.40
<b>15752</b>	13/16"			US4				\$9.45
<b>15752</b>	13/16"			US26D				\$9.45
<b>B15752</b>	13/16"			US4				\$10.50
<b>B15752</b>	13/16"			US26D				\$10.50
<b>15753</b>	1"			US26D				\$10.50
Master Keying Charge								\$4.41

- **Material:** Pressure cast
- **Regular Key Changes:** 200 with key blank 5865JVR (5 disc), 700 with key blank 8658JVR (6 disc)
- **Masterkeyed Key Changes:** 180 with key blank 5860KS (5 disc), 700 with key blank 5861KS (6 disc)
- **Cam Positions:** Regularly furnished with cam mounted at 12 o'clock locked position. Cam may be mounted at 3, 6, 9, or 12 o'clock locked position.

- **Cam Rotation:** Regular rotation 90 degrees from 12 to 9 o'clock, key removable only in locked position at 12. Also available with 180 degree rotation from 12 to 6 o'clock so key can be withdrawn in both locked and unlocked positions.
- **Cylinder:** Slabbed on both sides

- **B15751 & B15752:** Lock is Polybagged and in US26D finish. The parts included with Camlock are CDL cam, 2 keys, 180 degree stop cam, 1/4" Offset cam, Pronged washer and Collar ring.

**Package Includes:**



Cam No.	Length	No. 15751*			No. 15752*			No. 15753*Cam		
		B	B'	B <sup>0</sup>	B	B'	B <sup>0</sup>	B	B'	B <sup>0</sup>
C2S	7/8"	5/8"			13/16"			1"		
C2L	1-1/4"	5/8"			13/16"			1"		
C3S	7/8"		1/2"		11/16"			7/8"		
C3L	1-1/4"		1/2"		11/16"			7/8"		
C4S	7/8"		3/8"		9/16"			3/4"		
C4L	1-1/4"		3/8"		9/16"			3/4"		
C5S	7/8"			3/4"			15/16"			1-1/8"
C5L	1-1/4"			3/4"			15/16"			1-1/8"
C6S	7/8"			7/8"			1 1/16"			1-1/4"
C6L	1-1/4"			7/8"			1 1/16"			1-1/4"

\*Specify cam required on order, i.e., 15751 x C2S.



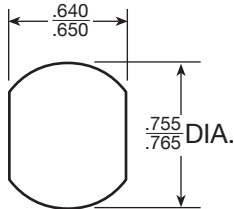
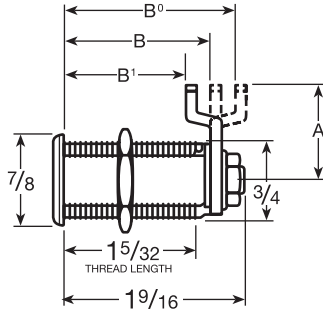
# Cam Locks

## 15760 Cam Lock

DISC TUMBLER Can be Masterkeyed

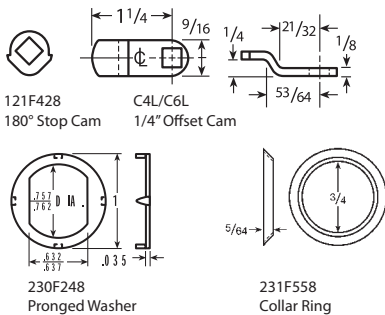


15760



Mounting Cutout

**B15760 Package Includes:**



Part#	Length	Keyed	Master Keyed	Finish	MFT PT #	Stock Quantity	Boxed Weight lbs/oz	MSRP
-------	--------	-------	--------------	--------	----------	----------------	---------------------	------

**Stock Items 48 Hour Shipping:**

<b>B15760</b>		KD		US26D	<b>00220</b>	25	5/9	\$8.49
<b>B15760</b>		AUE 1		US26D	<b>02664</b>	25	5/9	\$8.49
<b>B15760</b>		KA CAT 30		US26D	<b>02908</b>	25	5/9	\$8.49
<b>B15760</b>		KA CAT 60		US26D	<b>02659</b>	25	5/9	\$8.49
<b>B15760</b>		MKY M8003(KD)		US26D	<b>02665</b>	25	5/9	\$9.70
<b>K15760</b>		KD		US26D	<b>00222</b>	8	2/2	\$9.70
<b>KB15760A</b>		KA CAT 30		US26D	<b>00223</b>	8	2/2	\$9.70

**Made-to-Order Items:**

<b>15760</b>				US4				\$10.50
<b>15760</b>				US26D				\$10.50
<b>B15760</b>				US4				\$12.60
<b>B15760</b>				US26D				\$12.60
<b>C15751</b>				US26D	<b>099F268</b>			\$1.38
								Master Keying Charge \$4.41

- **Material:** Pressure cast
- **Regular Key Changes:** 200 with key blank 5865JVR (5 disc), 700 with key blank 8658JVR (6 disc)
- **Masterkeyed Key Changes:** 180 with key blank 5860KS (5 disc), 700 with key blank 5861KS (6 disc)
- **Cam Positions:** Regularly furnished with cam mounted at 12 o'clock locked position. Cam may be mounted at 3, 6, 9, or 12 o'clock locked position.
- **Cam Rotation:** Regular rotation 90 degrees from 12 to 9 o'clock, key removable only in locked position at 12. Also available with 180 degree rotation from 12 to 6 o'clock so key can be withdrawn in both locked and unlocked positions.
- **Cylinder:** Slabbed on both sides

- **B15760:** Lock is Polybagged and in US26D finish. The parts included with Camlock are CDL cam, 2 keys, 180 degree stop cam, 1/4" Offset cam, Pronged washer and Collar ring.

Cam No.	Cam Length	Distance Under Head to Cam B	B'	B <sup>0</sup>
C2S	7/8"	1-1/4"		
C2L	1-1/4"	1-1/4"		
C3S	7/8"		1-1/8"	
C3L	1-1/4"		1-1/8"	
C4S	7/8"		1"	
C4L	1-1/4"		1"	
C5S	7/8"			1-3/8"
C5L	1-1/4"			1-3/8"
C6S	7/8"			1-1/2"
C6L	1-1/4"			1-1/2"

\*Specify cam required on order, i.e., 15751 x C2S.

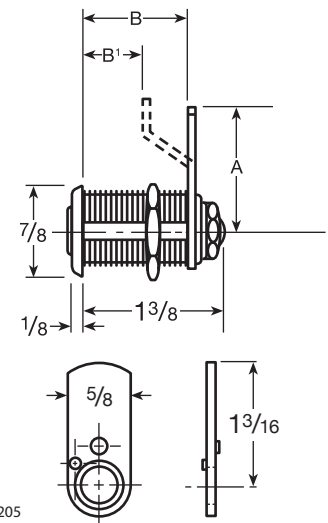


## 15783 Cam Lock Lazy Cam Function PIN TUMBLER Can be Masterkeyed Compares to Olympus DCR1

Part#	Length	Keyed	Master Keyed	Finish	MFT PT #	Stock Quantity	Boxed Weight lbs/oz	MSRP
<b>Made-to-Order Items:</b>								
15783				US14				\$49.61
15783				US26D				\$49.61
205 Cam – 12 to 9 or 6 to 3 (LH)			15783	Zinc	263F1480002G			\$2.21
205 Cam – 12 to 3 or 6 to 9 (RH)			15783	Zinc	263F1380002G			\$2.21
206 Cam – 12 to 9 or 6 to 3 (LH)			15783	Zinc	263F1880002G			\$2.21
206 Cam – 12 to 3 or 6 to 9 (RH)			15783	Zinc	263F1780002G			\$2.21
207 Cam – 12 to 9 or 6 to 3 (LH)			15783	Zinc	263F2080002G			\$2.21
207 Cam – 12 to 3 or 6 to 9 (RH)			15783	Zinc	263F1980002G			\$2.21
208 Cam – 12 to 9 or 6 to 3 (LH)			15783	Zinc	263F2280002G			\$2.21
208 Cam – 12 to 3 or 6 to 9 (RH)			15783	Zinc	263F2180002G			\$2.21
209 Cam – 12 to 9 or 6 to 3 (LH)			15783	Zinc	263F1280002G			\$2.21
210 Cam – 12 to 9 or 6 to 9 (LH)			15783	Zinc	263F1680002G			\$2.21
210 Cam – 12 to 3 or 6 to 9 (RH)			15783	Zinc	263F1580002G			\$2.21
Master Keying Charge								\$4.41

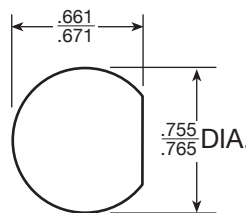
- **Keyways Available:** R1 & CR
- **Material:** Brass
- **Key Blank No.:** 8618C - R1 (5-Pin)
- **Cam Rotation:** Furnished with 90 degree rotation clockwise from 12 to 3 o'clock, 3 to 6 o'clock, 6 to 9 o'clock, or 9 to 12 o'clock. Specify cam rotation on order.

- **Operation:** Lock operated by full turn of key. Key removable in locked or unlocked position. Can also be set so that key is removable in locked position only with 90 degree cam rotation.
- **Cylinder:** Slabbed on one side

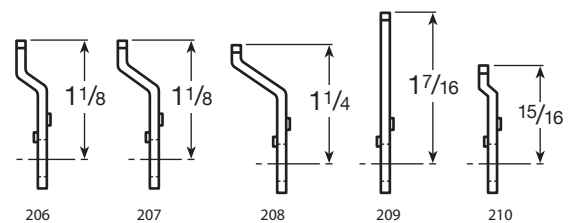


Cam No.	Cam Length	Distance Under Head to Cam B	Distance Under Head to Cam B'
205	1-3/16"	1"	
206	1-1/8"	25/32"	
207	1-1/8"	11/16"	
208	1-1/4"	9/16"	
209	1-7/16"	1"	
210	15/16"	29/32"	

\*Specify cam required on order, i.e., 15783 x 205.



Mounting Cutout:  
"Single D" – Standard cutout for RH & LH Pin Tumbler Cam Locks



## Bulk Items for 15751 | 15752 | 15760 Cam Locks

Part#	MFT PT #	MSRP
<b>Stock Items 48 Hour Shipping:</b>		
180° Stop Cam	121F4280002G	\$1.38
C4L/C6L – 1/2" Offset Cam	026F2180002G	\$1.44
Pronged Washer	230F2480002G	\$1.44
Collar Ring	231F2580002G	\$1.44

# Cam Locks

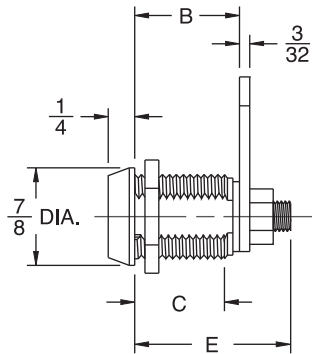
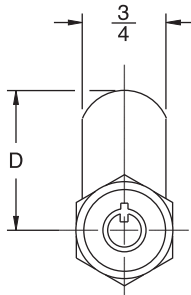
## C-510-XS | C-510-S | C-510-M | C-510-L

### Die Cast Tubular Cam Lock

PIN TUMBLER Cannot be Masterkeyed



BDB510S



Lock #	B	C	E
C510XS	7/16"	5/16"	3/4"
C510S	23/32"	9/16"	1"
C510M	29/32"	3/4"	1-15/32"
C510L	1-1/8"	27/32"	1-17/32"

Part#	UPC Code	Length	Keyed	Finish	MFT PT #	Stock Quantity	Boxed Weight lbs/oz	MSRP
-------	----------	--------	-------	--------	----------	----------------	---------------------	------

**Stock Items 48 Hour Shipping:**

<b>BDB510XS</b>	021919510008	7/16"	KD	US26	<b>51000</b>	25	6/5	\$14.70
<b>BDB510XS</b>	021919510015	7/16"	KA-A0001	US26	<b>51001</b>	25	6/5	\$14.70
<b>BDB510XS</b>	021919510022	7/16"	KA-A0002	US26	<b>51002</b>	25	6/5	\$14.70
<b>BDB510XS</b>	021919510039	7/16"	KA-A0003	US26	<b>51003</b>	25	6/5	\$14.70
<b>BDB510XS</b>	021919510046	7/16"	KA-A0004	US26	<b>51004</b>	25	6/5	\$14.70
<b>BDB510S</b>	021919510107	23/32"	KD	US26	<b>51010</b>	25	6/5	\$14.70
<b>BDB510S</b>	021919510114	23/32"	KA-A0001	US26	<b>51011</b>	25	6/5	\$14.70
<b>BDB510S</b>	021919510121	23/32"	KA-A0002	US26	<b>51012</b>	25	6/5	\$14.70
<b>BDB510S</b>	021919510138	23/32"	KA-A0003	US26	<b>51013</b>	25	6/5	\$14.70
<b>BDB510S</b>	021919510145	23/32"	KA-A0004	US26	<b>51014</b>	25	6/5	\$14.70
<b>BDB510M</b>	021919510206	29/32"	KD	US26	<b>51020</b>	25	6/5	\$14.70
<b>BDB510M</b>	021919510213	29/32"	KA-A0001	US26	<b>51021</b>	25	6/5	\$14.70
<b>BDB510M</b>	021919510220	29/32"	KA-A0002	US26	<b>51022</b>	25	6/5	\$14.70
<b>BDB510M</b>	021919510237	29/32"	KA-A0003	US26	<b>51023</b>	25	6/5	\$14.70
<b>BDB510M</b>	021919510244	29/32"	KA-A0004	US26	<b>51024</b>	25	6/5	\$14.70
<b>BDB510L</b>	021919510305	1-1/8"	KD	US26	<b>51030</b>	25	6/5	\$14.70
<b>BDB510L</b>	021919510312	1-1/8"	KA-A0001	US26	<b>51031</b>	25	6/5	\$14.70
<b>BDB510L</b>	021919510329	1-1/8"	KA-A0002	US26	<b>51032</b>	25	6/5	\$14.70
<b>BDB510L</b>	021919510336	1-1/8"	KA-A0003	US26	<b>51033</b>	25	6/5	\$14.70
<b>BDB510L</b>	021919510343	1-1/8"	KA-A0004	US26	<b>51034</b>	25	6/5	\$14.70

- **Material:** Zinc die cast housing, brass plug & spindle
- **Operation:** Push key and turn to desired position for locking and unlocking. Key removeable at various locations depending on mounting configurations.
- **Specifications:** Tubular cam lock available with removeable style cam only. Engineered for use in metal or fiberglass products.
- **Mechanism:** 7 Pin tumbler mechanism utilizing a tubular key which offers over 750,000 combinations.
- Various cams, rotations, key pulls and finishes.
- Available keyed-alike or keyed-different in multiple lengths.
- Master Keying available with 3,000 piece minimum

**Package Includes:**

- (1) (7 Pin) cylinder (w / key pulls at 12, 3, and 9 positions)
- (2) keys (KA or KD)
- (1) Straight cam 1-1/8"
- (1) Straight cam 7/8"
- (1) Offset cam 1-1/8" (1/8" offset)
- (1) Offset cam 1-1/8" (1/4" offset)
- (1) 90 Degree stop cam
- (1) 180 Degree stop cam
- (1) cam securing hex nut
- (1) cam securing lock

## C520L Die Cast Brass Tubular Cam Lock

PIN TUMBLER Cannot be Masterkeyed

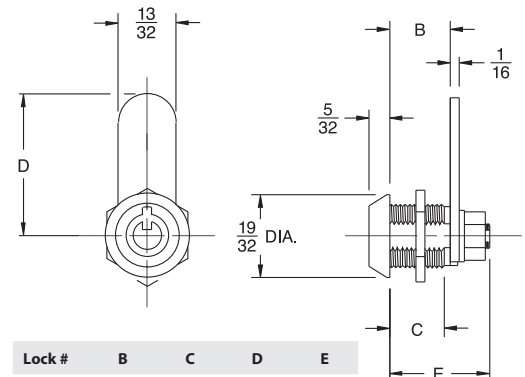
Part#	Length	Keyed	Master Keyed	Finish	MFT PT #	Stock Quantity	Boxed Weight lbs/oz	MSRP
<b>Stock Items 48 Hour Shipping:</b>								
C520XS	.295"	KA601		US26		10	.9/0	\$8.40
C520XS	.295"	KD		US26		10	.9/0	\$8.40
C520S	13/32"	KA601		US26		10	.9/0	\$8.40
C520S	13/32"	KD		US26		10	.9/0	\$8.40
C520M	1/2"	KA601		US26		10	.9/0	\$8.40
C520M	1/2"	KD		US26		10	.9/0	\$8.40
C520L	5/8"	KA601		US26	52001	10	.9/0	\$8.40
C520L	5/8"	KD		US26	52020	10	.9/0	\$8.40

- **Material:** Zinc die cast
- **Operation:** Push key and turn 90 degrees to desired position for locking and unlocking. Key removeable at 12:00 position only.
- **Specifications:** Miniature tubular cam lock with removable style cam only. Engineered for use in metal or fiberglass products.

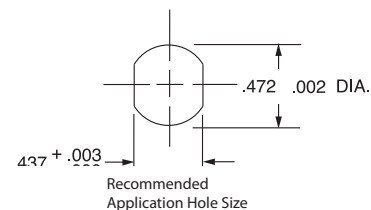
- **Mechanism:** 4 Pin tumbler mechanism utilizing a tubular key which offers 150 combinations.
- Compact Design – Fits Tight Spaces
- Standard chamfered head design

**All In-Stock Cam Locks Supplied with following Hardware:**

- Cam Nut
- Mounting Nut
- 1-1/8" x 1/8" Offset Cam
- 1-1/8" straight cam



Lock #	B	C	D	E
C520XS	.295"	.248"	1-1/8"	.448" 1-1/8"
C520S	13/32"	11/32"	1-1/8"	21/32"
C520M	1/2"	7/16"	1-1/8"	3/4"
C520L	5/8"	9/16"	1-1/8"	7/8"



# Cam Locks



C1091A

## C1091A Miniature Cam Lock Package

DISC TUMBLER Cannot be Masterkeyed

Part#	Length	Keyed	Master Keyed	Finish	MFT PT #	Stock Quantity	Boxed Weight lbs/oz	MSRP
-------	--------	-------	--------------	--------	----------	----------------	---------------------	------

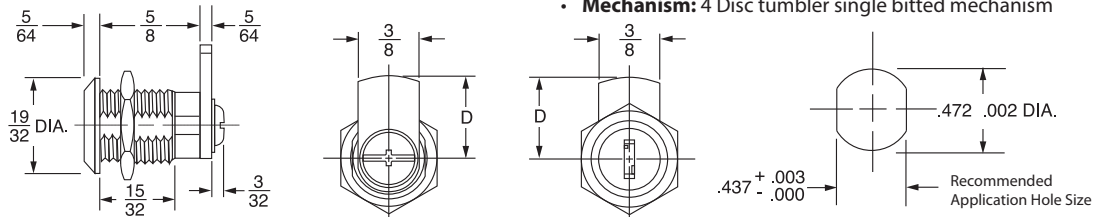
**Stock Items 48 Hour Shipping:**

C1091A	5/8"	KA to 105		US14	10911	10	.7/0	\$10.50
C1091A	5/8"	KD		US14	10910	10	.7/0	\$10.50

- Compact design – fits tight spaces
- 20 combinations available
- Available keyed alike or keyed different

- **Material:** Zinc die cast cylinders
- **Specifications:** Miniature cam lock available with removable style cam only. Engineered for use in metal or fiberglass products
- **Mechanism:** 4 Disc tumbler single bitted mechanism

Lock #	D
C1091A	1-1/8"



DSL3092L

DTL3091L

## Miniature Wing Handles and Miniature Slot Locks

Part#	UPC Code	Length	Finish	Stock Quantity	Boxed Weight lbs/oz	MSRP
-------	----------	--------	--------	----------------	---------------------	------

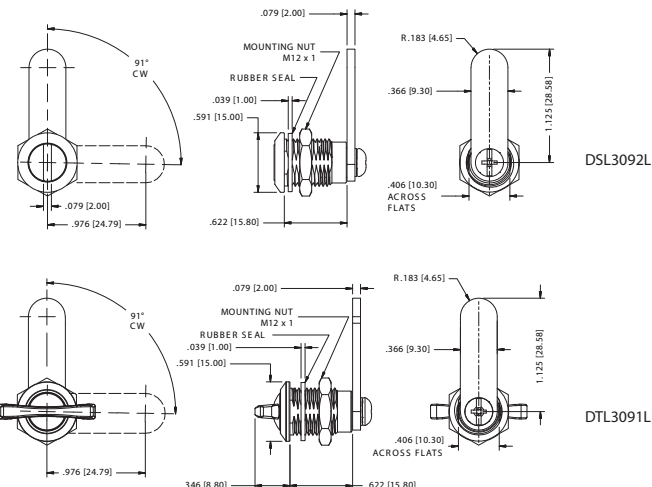
**Stock Items 48 Hour Shipping:**

DSL3092L-CHROME	021919003814	5/8"	US14	10	.7/0	\$10.50
DSL3092L-BLACK	021919003838	5/8"		10	.7/0	\$10.50
DSL3092L-NICKEL	021919003821	5/8"	US15	10	.7/0	\$10.50
DTL3091L-CHROME	021919003784	5/8"	US14	10	.7/0	\$10.50
DTL3091L-BLACK	021919003807	5/8"		10	.7/0	\$10.50
DTL3091L-NICKEL	021919003791	5/8"	US15	10	.7/0	\$10.50

- Non-locking ¼ turn solution
- Easy operation using thumb and finger (DTL3091 Series)
- Easy operation with a screw driver or coin (DSL3092 Series)
- Small size fits into tight spaces
- Internal O-ring
- Ball and spring detent
- Suitable for outdoor and indoor application

**All In-Stock Cam Locks Supplied with following Hardware:**

- Cam Screw
- Mounting Nut
- 1-1/8" x 11/32" Offset Cam
- 1-1/8" Straight Cam
- Key pulls at 12:00 and 3:00 positions
- 90 degree rotation





## CK2113 | CK3113 | CK4113 Rotary Combination Cam Lock

Part#	Length	Keyed	Finish	MFT PT #	Stock Quantity	Boxed Weight lbs/oz	MSRP
-------	--------	-------	--------	----------	----------------	---------------------	------

**Stock Items 48 Hour Shipping:**

CK2113CD	5/8"	CD	Zinc	03211	10	2/2	\$13.65
CK2113CA	5/8"	CA	Zinc	03230	10	2/2	\$13.65
CK3113CD	7/8"	CD	Zinc	03212	10	2/4	\$15.23
CK3113CA	7/8"	CA	Zinc	03231	10	2/4	\$15.23
CK4113CD	1-1/8"	CD	Zinc	03213	10	2/6	\$16.28
CK4113CA	1-1/8"	CA	Zinc	03232	10	2/6	\$16.28

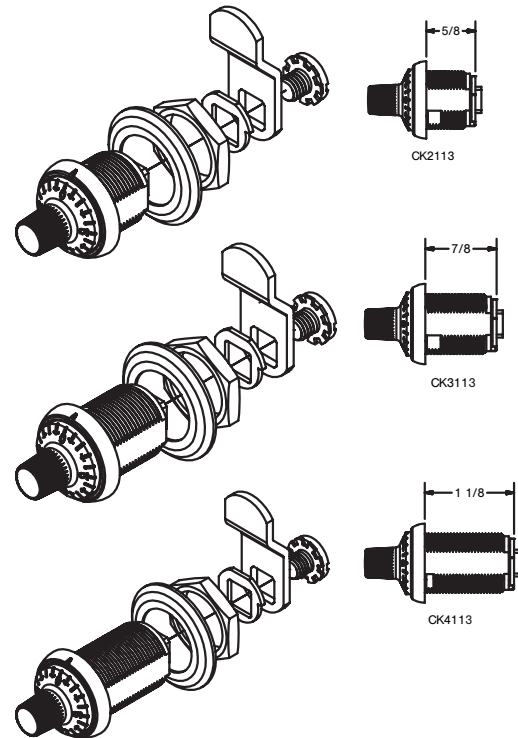
- **Vault Knob:** Die-cast zinc; zinc and yellow chromate-finished, then black polyurethane painted, plus over painted white numbers
- **Shell:** Die-cast zinc; polished plus copper and nickel-plated
- **Cylinder & Mounting Nut:** Die-cast zinc; zinc and clear chromate-finished
- **Combination Discs:** Carbon steel; case-hardened and nickel-plated



CK4114



CK4114



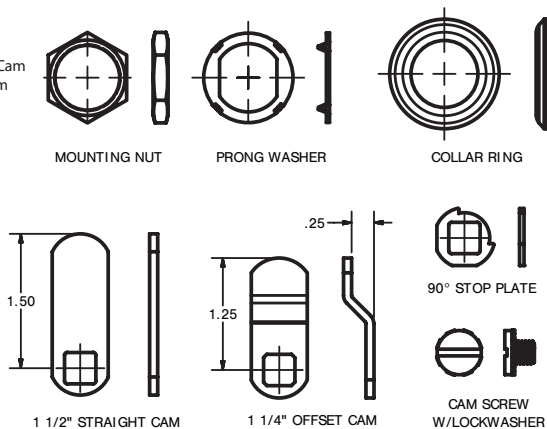
CK2113

CK3113

CK4113

**Contents**

- Screw Lockwasher
- COF25001/4" Offset Cam
- CFL1500 Straight Cam
- 90° Stop Cam
- 3/4" Cylinder Nut
- Pronged Washer
- Collar Ring



MOUNTING NUT

PRONG WASHER

COLLAR RING

90° STOP PLATE

CAM SCREW W/LOCKWASHER

1 1/2" STRAIGHT CAM

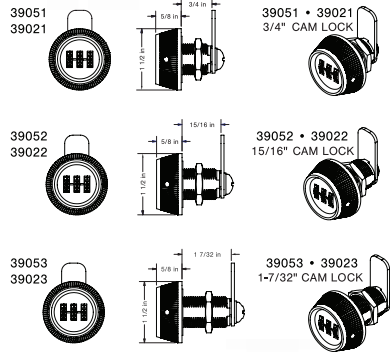
1 1/4" OFFSET CAM

Cam No.	Cam Length	CK2113			CK3113			CK4113		
		B	B <sup>1</sup>	B <sup>0</sup>	B	B <sup>1</sup>	B <sup>0</sup>	B	B <sup>1</sup>	B <sup>0</sup>
CFL1500	1-1/2"	5/8"			7/8"			1-1/8"		
COF2500	1-1/4"		3/8"	7/8"		5/8"	1-1/8"		7/8"	1-3/8"

# Cam Locks



## 390XX Series Dial Combination Cam Lock



Part#	UPC Code	Length	Keyed	Master Keyed	Finish	MFT PT #	Stock Quantity	MSRP
-------	----------	--------	-------	--------------	--------	----------	----------------	------

**Stock Items 48 Hour Shipping:**

<b>39051</b>	021919390518	3/4"	3 Dials	1,000	Chrome	<b>39051</b>	25	\$11.55
<b>39052</b>	021919390525	15/16"	3 Dials	1,000	Chrome	<b>39052</b>	25	\$12.08
<b>39053</b>	021919390532	1-7/32"	3 Dials	1,000	Chrome	<b>39053</b>	25	\$12.60
<b>39021</b>	021919390211	3/4"	3 Dials	1,000	Black	<b>39021</b>	25	\$11.55
<b>39022</b>	021919390228	15/16"	3 Dials	1,000	Black	<b>39022</b>	25	\$12.08
<b>39023</b>	021919390235	1-7/32"	3 Dials	1,000	Black	<b>39023</b>	25	\$12.60

- Secure with 1,000 Possible Combinations
- Durable All-metal Construction
- Easy to Use and Recombinate
- Housing: Zinc alloy diecast
- Bright chrome plated standard
- Multiple Rotations

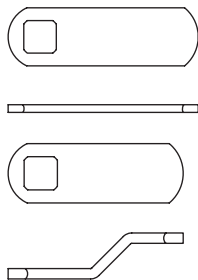
**Best Used For:**

- Works in any application that has a standard keyed cam lock
- Metal/non-metal wooden doors
- Cabinets
- Boxes
- Drawers

## 59020 | 59021 | 59022 Padlockable Cam Lock



59020



Drawings above represent accessory cams

Part#	UPC Code	Length	Keyed	Master Keyed	Finish	MFT PT #	Stock Quantity	MSRP
-------	----------	--------	-------	--------------	--------	----------	----------------	------

**Stock Items 48 Hour Shipping:**

<b>59020</b>	021919590208	1-3/4"			Chrome	<b>59020</b>	25	\$11.55
<b>59021</b>	021919590215	1-3/4"			Black	<b>59021</b>	25	\$11.55
<b>59022</b>	021919590222	1-3/4"			Brass	<b>59022</b>	25	\$11.55

**Made-to-Order Items:**

<b>S58</b>		5/8"		Straight Cam	Zinc	<b>S58</b>		\$1.10
<b>S78</b>		7/8"		Straight Cam	Zinc	<b>S78</b>		\$1.10
<b>S125</b>		1-1/4"		Straight Cam	Zinc	<b>S125</b>		\$1.10
<b>S150</b>		1-1/2"		Straight Cam	Zinc	<b>S150</b>		\$1.10
<b>S175</b>		1-3/4"		Straight Cam	Zinc	<b>S175</b>		\$1.10
<b>S200</b>		2"		Straight Cam	Zinc	<b>S200</b>		\$1.10
<b>S225</b>		2-1/4"		Straight Cam	Zinc	<b>S225</b>		\$1.10
<b>F100-25</b>		1"		Offset Cam	1/4" Zinc	<b>F100-25</b>		\$1.10
<b>F125-25</b>		1-1/4"		Offset Cam	1/4" Zinc	<b>F125-25</b>		\$1.10
<b>F118-18</b>		1-1/8"		Offset Cam	1/8" Zinc	<b>F118-18</b>		\$1.10
<b>F138-38</b>		1-3/8"		Offset Cam	3/8" Zinc	<b>F138-38</b>		\$1.10
<b>F150-25</b>		1-1/2"		Offset Cam	1/4" Zinc	<b>F150-25</b>		\$1.10
<b>F178-50</b>		1-7/8"		Offset Cam	1/2" Zinc	<b>F178-50</b>		\$1.10

- Fits standard lock mounting holes
- Retrofits any DCP padlockable cam lock latch
- Accepts padlocks with shackle diameter up to 3/8"
- Functions on doors and drawers
- Ideal for locker applications
- Max. material thickness: 1-1/8"
- Barrel diameter: 3/4"

- Available in 3 finishes:  
 US3 - Bright Brass, Stock ID # 59022  
 US19 - Black, Stock ID # 59021  
 US26 - Bright Chrome, Stock ID # 59020

**Best used for:**

- Apartments, Condominiums, Schools, Lobbies

## RAPIDCAM™ Spring Bolt Cam Adapter

Part#	UPC Code	Cam Boss size	Screw size	Shelf Pack	MSRP
-------	----------	---------------	------------	------------	------

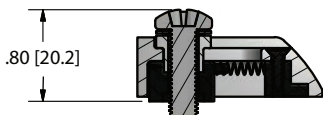
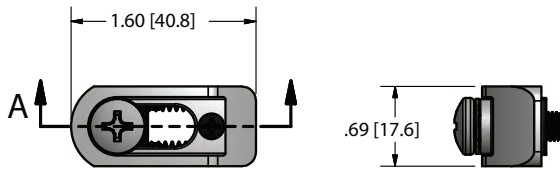
**Stock Items 48 Hour Shipping:**

<b>RAPIDCAM315*</b>	021919055028	fits locks with .315" boss	M4-0.7 x 20mm	25	\$7.99
<b>RAPIDCAM350*</b>	021919055035	fits locks with .350" boss	1/4-28 x .750	25	\$7.99

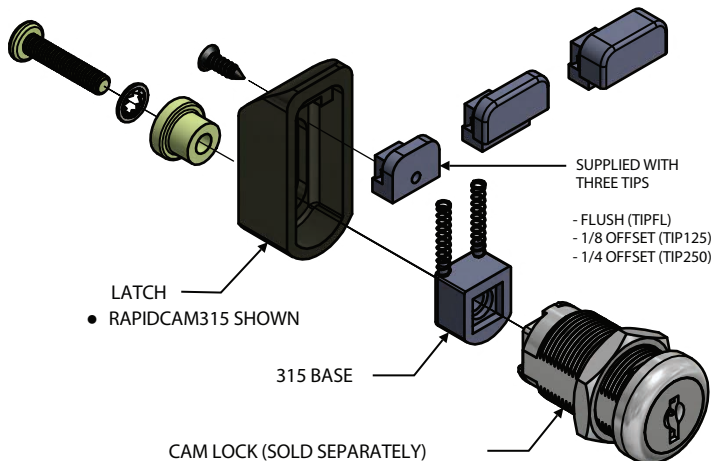
- Locks into self-locking, latch bolt
- Innovative RAPIDCAM™ replaces the traditional steel cam and allows for slam shut feature when locked
- Reduces the risk of cam scratching the application when door is closed and in the locked position
- Simple, push to close and lock functionality
- Eliminates metal on metal (cam to metal application)
- Ends issue of cam bending on application frame when closed in locked position
- Material and Finish  
Latch: PA66 + GF15% (Nylon 66, 15% glass filled)  
Base: White POM+PTFE

\*Rapidcam315 works with ilock 901,902

\*Rapidcam350 works with ilock 903, 650, 622, 633 series and the Fort 230 series



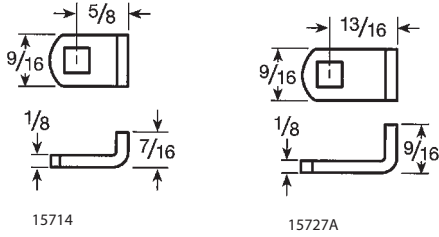
• RAPIDCAM350 SHOWN



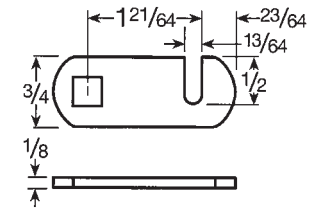
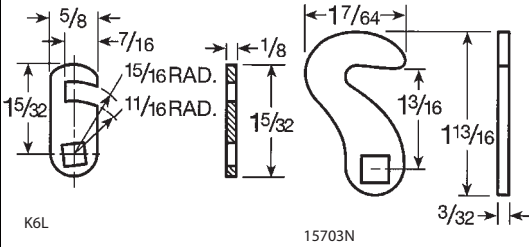
# Cam Locks

## Cams – Bent | Straight | Offset | Hook

### Bent Cams

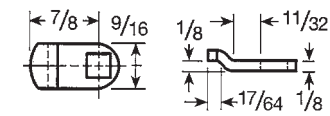


### Hook Cams

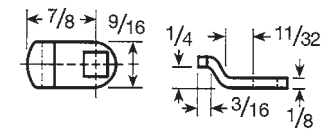


15751A

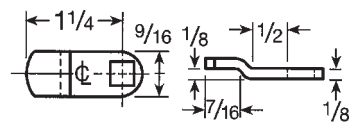
### Offset Cams



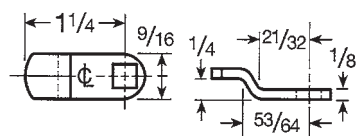
C3S / C5S



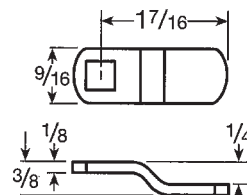
C4S / C6S



C3SL / C5L



C4L/C6L



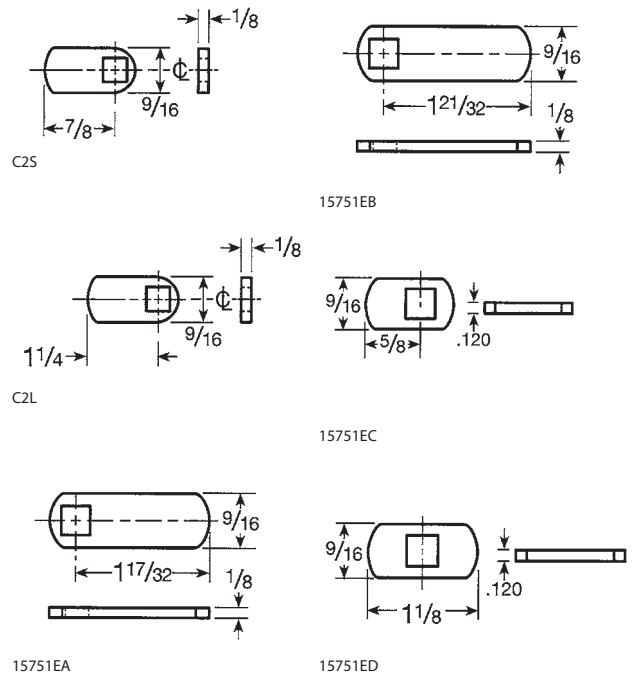
15751E

Part#	Length / Description	Finish	MFT PT #	Stock Quantity	Boxed Weight lbs/oz	MSRP
<b>Made-to-Order Items:</b>						
15714	5/8" 7/16" Bent Cam	Zinc	346F7780002G	100		\$1.44
15727A	13/16" 9/16" Bent Cam	Zinc	231F9480002G	100		\$1.44
K6L	1- 5/32" Hook Cam	Zinc	141F0080002G	100		\$1.44
15751A	1-21/64" Hook Cam	Zinc	119F1080002G	100		\$1.44
15703N	1-7/64" Hook Cam	Zinc	330F6480002G	100		\$1.44
C3S / C5S	7/8" with 1/8" Offset Cam	Zinc	026F1880002G	100		\$1.44
C3L / C5L	1-1/4" with 1/8" Offset Cam	Zinc	026F1980002G	100		\$1.44
C4S / C6S	7/8" with 1/4" Offset Cam	Zinc	026F2080002G	100		\$1.44
C4L / C6L	1-1/4" with 1/4" Offset Cam	Zinc	026F2180002G	100		\$1.44
15751E	1-7/16" with 3/8" Offset Cam	Zinc	234F7180002G	100		\$1.44
C2S	7/8" Straight Cam	Zinc	026F1780002G	100		\$1.44
C2L	1-14" Straight Cam	Zinc	168F4380002G	100		\$1.44
15751EA	1-17/32" Straight Cam	Zinc	Z34F7280002G	100		\$1.44
15751EB	1-21/32" Straight Cam	Zinc	119F8780002G	100		\$1.44
15751EC	5/8" Straight Cam	Zinc	142F6280002G	100		\$1.44
15751ED	1-1/8" Straight Cam	Zinc	142F6380002G	100		\$1.44

### Part No. US2G

C2L	.
C2S	.
C3L	.
C3S	.
C4L	.
C4S	.
C5L	.
C5S	.
C6L	.
C6S	.
K6L	.
15703N	.
15714	.
15727A	.
15751A	.
15751E	.
15751EA	.
15751EB	.
15751EC	.
15751ED	.

### Straight Cams





## Weather Resistant Cam Lock

Part#	UPC Code	Length	Keyed	Key# (stamped on key)	Finish	MFT PT #	Stock Quantity	Boxed Weight lbs/oz	MSRP
<b>Stock Items 48 Hour Shipping:</b>									
WRC-62200	021919622008	7/8"	KA	203R	US14	62200	25	5/9	\$10.50
WRC-62201	021919622015	7/8"	KA	208R	US14	62201	25	5/9	\$10.50
WRC-62202	021919622022	7/8"	KA	209R	US14	62202	25	5/9	\$10.50
WRC-62203	021919622039	7/8"	KA	212R	US14	62203	25	5/9	\$10.50
WRC-62204	021919622046	7/8"	KA	200R	US14	62204	25	5/9	\$10.50
WRC-62205	021919622053	5/8"	KA	203R	US14	62205	25	5/9	\$10.50
WRC-62206	021919622060	5/8"	KA	208R	US14	62206	25	5/9	\$10.50
WRC-62207	021919622077	5/8"	KA	200R	US14	62207	25	5/9	\$10.50
WRC-62208	021919622084	5/8"	KA	209R	US14	62208	25	5/9	\$10.50
WRC-62209	021919622091	5/8"	KA	212R	US14	62209	25	5/9	\$10.50
WRC-62214	021919622145	7/8"	KD	200R-399R	US14	62214	25	5/9	\$10.50
WRC-62217	021919622176	5/8"	KD	200R-399R	US14	62217	25	5/9	\$10.50
C622-KEYBLANKS						C622-KEYBLANKS	50		\$0.74

- 5/8" or 7/8" diecast camlock, keyed alike or different
- Used for any outdoor application requiring resistance to water intrusion, dust, salt, and extreme temperatures.
- Stainless steel dust shutter and internal o-ring prevents water penetration through the lock. Includes rubber gasket to provide water-tight seal under head of lock allowing no moisture to enter enclosure.
- Long lasting chrome over double nickel finish with stainless steel capped lock head and face for superior weather resistance.
- 5 Disc tumbler - single bitted mechanism.
- Automotive style dust shutter
- Automotive style reversible key with optional plastic over molding
- 200 Key changes
- 90°/180°, clockwise/counter-clockwise cam rotation options.
- Supplied with selection of three cams, two stop plates, mounting nut, trim washer, rubber gasket and cam screw. Includes two ringed keys.

### KA codes:

200R (PN: 62204/62207)(1-2-0-2-1)(read bow-to-tip)  
 203R (PN: 62200/62205)(2-0-1-0-2)  
 208R (PN: 62201/62206)(0-2-0-1-2)  
 209R (PN: 62202/62208)(1-0-1-0-2)  
 212R (PN: 62203/62209)(0-1-0-2-1)

### KEY CUTS (Bitting):

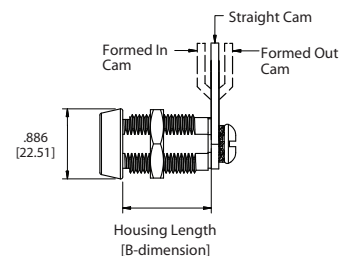
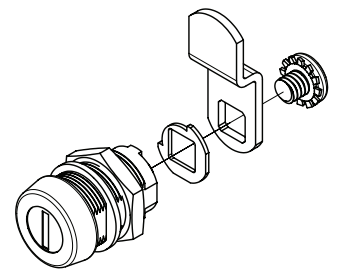
0 = 7.0mm  
 1 = 5.5mm  
 2 = 4.0mm

**CUT SPACING** = .157-.256-.354-.453-.551

These are single-bittd (reversible keys)



62207



# Cam Locks

## 82010 | 82011 | 82013 | 82014 | 820-3950 Mailbox Lock



82010



82011



82013 & 82014



MBL820-3950



MBLCAM-RIO3950

Part#	UPC Code	Keyed	Finish	MFT PT #	Stock Quantity	Boxed Weight lbs/oz	MSRP
-------	----------	-------	--------	----------	----------------	---------------------	------

**Stock Items 48 Hour Shipping:**

<b>MBL82010</b>	021919820107	KD	US14	<b>82010</b>	25	5/9	\$8.39
<b>MBL82011</b>	021919820114	KD	US14	<b>82011</b>	25	5/9	\$8.39
<b>MBL82013</b>	021919820138	KD	US14	<b>82013</b>	25	5/9	\$12.60
<b>MBL82014</b>	021919820145	KD	US14	<b>82014</b>	25	5/9	\$12.60
<b>MBL820-3950</b>	021919004200	KD	US14	<b>820-3950</b>	25	5/4	\$6.99
<b>MBLCAM-RIO3950</b>					50		\$7.00
<b>S7124</b>	021919003722		US14	<b>S7124</b>	25		\$2.10

Formed Hook Cam for 82013/82014

**MBL82010 | MBL82011**

- **Interior:** Nut or clip mounted.
- Key removable in locked position only.
- Supplied with selection of five cams, two keys, mounting nut, mounting clip, lock washer and cam screw.
- **Exterior:** Stainless steel dust shuttered keyway helps to prevent water penetration into the lock.
- Speed clip mounting of lock for fast assembly onto mailbox.
- Key removable in locked position only.
- Supplied with selection of five cams, two keys, mounting clip, lock washer and cam screw.
- CCL Security Mailbox Locks use the National D4292, or Ilco 1069LB

**MBL82013 | MBL82014**

- Stainless steel dust shuttered keyway helps to prevent water penetration into the lock.
- 90° clockwise cam turn (MBL82013) or 90° counter clockwise cam turn (MBL82014) to open.
- Key removable in locked position only.
- Speed clip mounting of lock for fast assembly onto mailbox.
- Supplied with three keys, mounting clip, lock washer and cam nut, and formed hook cam.
- 1,000 key changes
- CCL Security Mailbox Locks use the National D4292, or Ilco 1069LB

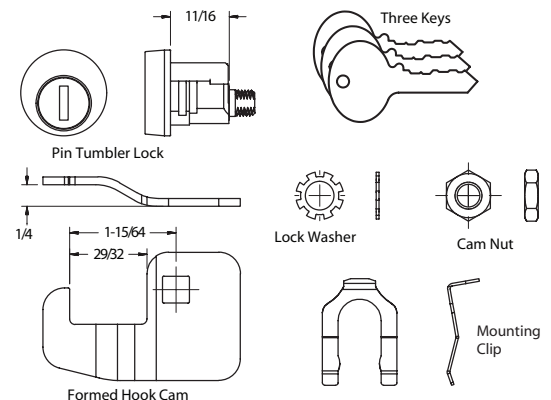
**MBL820-3950**

- **Interior:** Nut or clip mounted.
- Key removable in locked position only.
- Supplied with 1 cam, two keys, mounting nut, mounting clip, lock washer and cam screw.
- CCL Security Mailbox Locks use the National D4292, or Ilco 1069LB

**Best Used in:**

- Apartments, Condominiums, Schools, Lobbies, Pedestal-mounted neighborhood boxes (exterior)

**82013/82014 come with the attached contents:**



**New**



**Fits Into Latest Application Hole Design**

**New added feature**



## 650 | 651 Series Cam Lock

Part#	UPC Code	Keyed, Key Numbers	Lock size*	Lock Series	Stock Quantity	MSRP
<b>Stock Items 48 Hour Shipping:</b>						
65101	021919651015	KA-C415A	7/16"	C651XS	25	\$6.83
65001	021919650018	KA-C415A	5/8"	C650S	25	\$6.83
65002	021919650025	KA-C415A	7/8"	C650M	25	\$6.83
65003	021919650032	KA-C415A	1-1/8"	C650L	25	\$6.83
65102	021919651022	KA-8025	7/16"	C651XS	25	\$6.83
65004	021919650049	KA-8025	5/8"	C650S	25	\$6.83
65005	021919650056	KA-8025	7/8"	C650M	25	\$6.83
65006	021919650063	KA-8025	1-1/8"	C650L	25	\$6.83
65103	021919651039	KD-700-724	7/16"	C651XS	25	\$6.83
65007	021919650070	KD-700-724	5/8"	C650S	25	\$6.83
65008	021919650087	KD-700-724	7/8"	C650M	25	\$6.83
65009	021919650094	KD-700-724	1-1/8"	C650L	25	\$6.83
65104	021919651046	KA-CH751	7/16"	C651XS	25	\$6.83
65010	021919650100	KA-CH751	5/8"	C650S	25	\$6.83
65011	021919650117	KA-CH751	7/8"	C650M	25	\$6.83
65012	021919650124	KA-CH751	1-1/8"	C650L	25	\$6.83
65105	021919651053	KA-LS300	7/16"	C651XS	25	\$6.83
65013	021919650131	KA-LS300	5/8"	C650S	25	\$6.83
65014	021919650148	KA-LS300	7/8"	C650M	25	\$6.83
65015	021919650155	KA-LS300	1-1/8"	C650L	25	\$6.83
65106	021919651060	KA-217	7/16"	C651XS	25	\$6.83
65016	021919650162	KA-217	5/8"	C650S	25	\$6.83
65017	021919650179	KA-217	7/8"	C650M	25	\$6.83
65018	021919650186	KA-217	1-1/8"	C650L	25	\$6.83
65107	021919651077	KA-221	7/16"	C651XS	25	\$6.83
65019	021919650193	KA-221	5/8"	C650S	25	\$6.83
65020	021919650209	KA-221	7/8"	C650M	25	\$6.83
65021	021919650216	KA-221	1-1/8"	C650L	25	\$6.83
65108	021919651084	KA-224	7/16"	C651XS	25	\$6.83
65022	021919650223	KA-224	5/8"	C650S	25	\$6.83
65023	021919650230	KA-224	7/8"	C650M	25	\$6.83
65024	021919650247	KA-224	1-1/8"	C650L	25	\$6.83
65109	021919651091	KA-237	7/16"	C651XS	25	\$6.83
65025	021919650254	KA-237	5/8"	C650S	25	\$6.83
65026	021919650261	KA-237	7/8"	C650M	25	\$6.83
65027	021919650278	KA-237	1-1/8"	C650L	25	\$6.83
65110	021919651107	KA-238	7/16"	C651XS	25	\$6.83
65028	021919650285	KA-238	5/8"	C650S	25	\$6.83
65029	021919650292	KA-238	7/8"	C650M	25	\$6.83
65030	021919650308	KA-238	1-1/8"	C650L	25	\$6.83

**C610-Keys** C610 key blank must be ordered with specific key code i.e. (C610-224). Key codes available: National (415A), CH751, Fort (217,221,224,237,238), Illinois Lock (8025), LSDA(300) \$0.74

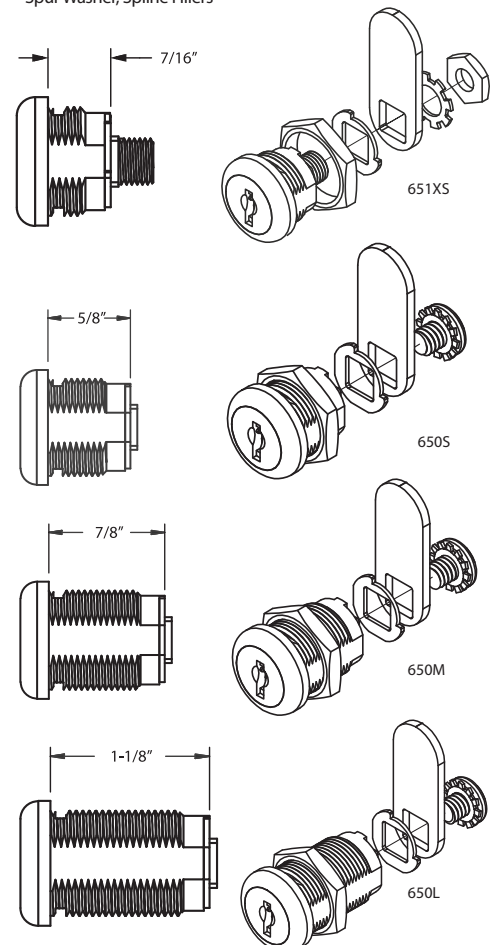
Sold in Qty 50pc

\* Dimensions are approximate +/- .039" (1mm)

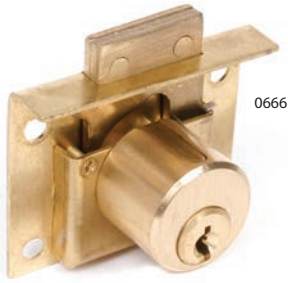


65002

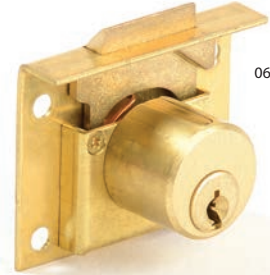
- **Features the following Key Numbers:** National (415A), CH751, Fort (217,221,224,237,238), Illinois Lock (8025), LSDA(300)
- Economical die cast cam locks for every day use
- Various cams, rotations, key pulls and finishes
- Available keyed alike or keyed different in multiple lengths
- **Material and Finish:** Housing: Zinc Alloy  
Finish: Bright Chrome US26 [standard]; Satin Nickel US15, Black E-coat optional
- **Mechanism:** 5 Disc tumbler single bitting mechanism which offers 200 combinations and master keying.
- Can be used in metal or wood application, easy to mount with supplied barrel nut.
- Used on drawers, cabinet doors, storage boxes, gun racks, chests, cashboxes, etc.
- Key Pull 90° rotation may be configured for one or two key pulls.
- All In-stock cam locks supplied with following Hardware: 180° Stop Plate, 90° Stop Plate, Cam Screw, Mounting Nut, 1-1/8" x 1/4" Offset Cam, 1-1/4" straight cam, Trim Washer, Spur Washer, Spline Fillers



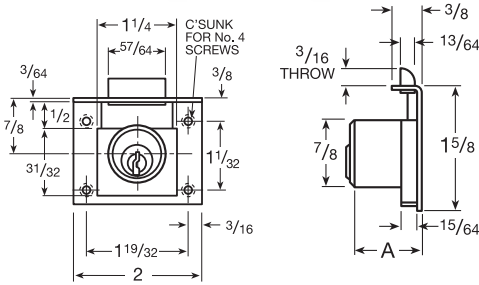
# Drawer Locks



0666



0666 1/2



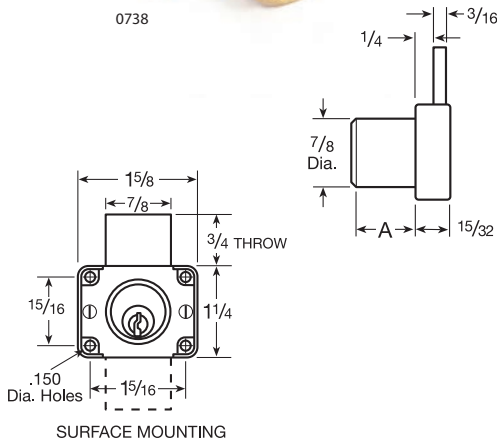
## 0666 | 0666 1/2 Drawer Locks PIN TUMBLER Can be Masterkeyed Compares to Olympus 996

Part#	Length	Keyed	Finish	MFT PT #	Stock Quantity	Boxed Weight lbs/oz	MSRP
<b>Stock Items 48 Hour Shipping:</b>							
0666	7/8"	KD	US4	00124	10	3/3	\$34.65
0666	7/8"	KA 4T37526	US4	02698	10	3/3	\$34.65
0666 1/2	7/8"	KD	US4	00125	10	3/3	\$40.95
0666 1/2	7/8"	KA 4T37526	US4	02706	10	3/3	\$40.95
<b>Made-to-Order Items:</b>							
0666	7/8"		US4				\$38.85
0666	7/8"		US26D				\$38.85
0666 1/2	7/8"		US4				\$43.05
0666 1/2	7/8"		US26D				\$43.05
1005			US4	045F922			\$1.84
CCL21	Plastic Spacer for 7/8" diameter locks, 3/32" thickness, WP21 Olympus Conversion, 10 shelf pack						\$2.10
	Master Keying Charge						\$4.41

- **Material:** All brass
- **Keyways Available:** R1 & CR
- **Operation:** Reversible for either hand door
- **Rekeying:** Plug removal access hole added to allow for removal of plug assembly for rekeying purposes. To remove plug, insert key and rotate 90 degrees. Insert end of small tool (e.g., paper clip) into access hole and depress retainer while pulling key and plug out.
- **Strike No.:** Brass US4 only, furnished only when ordered; Strike 12s included for part number 0666; Strike 100S included for part number 0666 1/2
- **For Thickness of Material (A) Regular:** 7/8"
- **Key Blank No.:** 8618C-R1, 8618C-CR



0738



## 0738 Drawer Lock PIN TUMBLER Can be Masterkeyed Compares to Olympus 600DW

Part#	Length	Keyed	Master Keyed	Finish	MFT PT #	Stock Quantity	Boxed Weight lbs/oz	MSRP
<b>Stock Items 48 Hour Shipping:</b>								
0738	7/8"	KD		US4	00129	10	4/3	\$34.65
0738	7/8"	KA 4T37526		US4	02704	10	4/3	\$34.65
<b>Made-to-Order Items:</b>								
0738	3/4"			US4				\$44.10
0738	3/4"			US26				\$44.10
0738	3/4"			US26D				\$44.10
0738	7/8"			US4				\$42.00
0738	7/8"			US26				\$42.00
0738	7/8"			US26D				\$42.00
0738	1-1/8"			US4				\$42.00
0738	1-1/8"			US26				\$42.00
0738	1-1/8"			US26D				\$42.00
0738	1-3/8"			US4				\$42.00
0738	1-3/8"			US26				\$42.00
0738	1-3/8"			US26D				\$42.00
2540				US4	00196	25	0/4	\$1.84
CCL21	Plastic Spacer for 7/8" diameter locks, 3/32" thickness, WP21 Olympus Conversion, 10 shelf pack							\$2.10
	Master Keying Charge							\$4.41



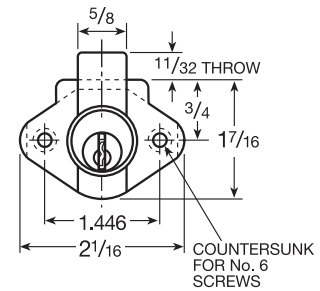
# Drawer Locks

## 02063 Drawer Locks PIN TUMBLER Can be Masterkeyed Compares to Olympus R078

Part#	Length	Keyed	Master Keyed	Finish	MFT PT #	Stock Quantity	Boxed Weight lbs/oz	MSRP
<b>Made-to-Order Items:</b>								
02063	7/8"	KD		US4				Call Factory for Quote 100pc Min.
02063	7/8"	KA-4T37526		US4				Call Factory for Quote 100pc Min.
02063	7/8"			US4				Call Factory for Quote 100pc Min.
02063	7/8"			US26				Call Factory for Quote 100pc Min.
02063	7/8"			US26D				Call Factory for Quote 100pc Min.
02063	1-1/8"			US4				Call Factory for Quote 100pc Min.
02063	1-1/8"			US26				Call Factory for Quote 100pc Min.
02063	1-1/8"			US26D				Call Factory for Quote 100pc Min.
02063A	7/8"			US4				Call Factory for Quote 100pc Min.
02063A	7/8"			US26				Call Factory for Quote 100pc Min.
02063A	7/8"			US26D				Call Factory for Quote 100pc Min.
02063A	1-1/8"			US4				Call Factory for Quote 100pc Min.
02063A	1-1/8"			US26				Call Factory for Quote 100pc Min.
02063A	1-1/8"			US26D				Call Factory for Quote 100pc Min.



02063



**CCL21** Plastic Spacer for 7/8" diameter locks, 3/32" thickness, WP21 Olympus Conversion, 10 shelf pack \$2.10  
 Master Keying Charge \$4.41  
 Call Factory for Quote and Minimum Order Qty

- **Keyways Available:** R1 & CR
- **Material:** Pressure Cast Case, Steel Backplate and Bolt, Brass Cylinder and Plug
- **If longer bolt is required, specify 02063A (Bolt length unlocked: 1-1/8" from centerline of lock to end)**
- **Strike:** No. 7S, brass, US4 only, furnished only when ordered

## 02065 | 02065 1/2 Drawer Locks DISC TUMBLER 7/8"

Part#	Length	Keyed	Master Keyed	Finish	MFT PT #	Stock Quantity	Boxed Weight lbs/oz	MSRP
<b>Stock Items 48 Hour Shipping:</b>								
02065	7/8"	KD		US4	00152	25	5/14	\$9.45
02065	7/8"	KA CAT30		US4	02673	25	5/14	\$9.45
02065	7/8"	KA AUE1		US4	00153	25	5/14	\$9.45
02065	7/8"	KA CAT30		US26D	02674	25	5/14	\$9.45
K02065	7/8"	KD Carded		US4	00151	8	6/8	\$9.45
02065 1/2	7/8"	KD		US4	00155	25	6/0	\$9.45
02065 1/2	7/8"	KA CAT30		US4	02677	25	6/0	\$9.45
02065 1/2	7/8"	KA AUE1		US4	02678	25	6/0	\$9.45
02065 1/2	7/8"	KA CAT30		US26D	02679	25	6/0	\$9.45



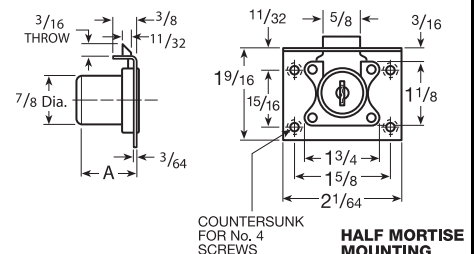
02065 Finish: US26D



02065

02065 1/2

Part#	Length	Keyed	Master Keyed	Finish	MFT PT #	Stock Quantity	Boxed Weight lbs/oz	MSRP
<b>Made-to-Order Items:</b>								
02065	7/8"		Y	US4				\$10.50
02065	7/8"		Y	US26D				\$10.50
02065-1/2"	7/8"		Y	US4				\$10.50
02065-1/2"	7/8"		Y	US26D				\$10.50
265				US4	016F542			\$1.84



**CCL21** Plastic Spacer for 7/8" diameter locks, 3/32" thickness, WP21 Olympus Conversion, 10 shelf pack \$2.10  
 Master Keying Charge \$4.41

- 7/8" can be masterkeyed
- **Material:** Brass plated steel backplate, cylinder and bolt, pressure cast
- **Strike No.:** 7S, brass US4 only, furnished only when ordered
- **Rekeying:** Plug removal hole added to allow for removal of plug assembly for rekeying purposes. To remove plug, insert key and rotate 90 degrees. Insert end of small tool (e.g., paper clip) into access hole and depress retainer while pulling key and plug out.



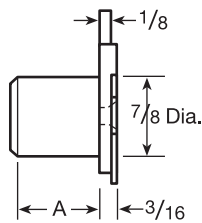
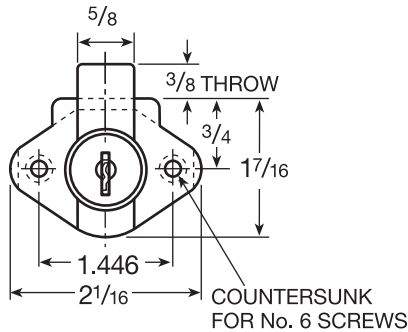
# Drawer Locks



02066 Finish: US26D



02066



## 02066 Drawer Locks DISC TUMBLER Can be Masterkeyed

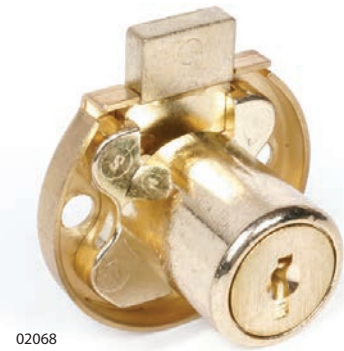
Part#	Length	Keyed	Master Keyed	Finish	MFT PT #	Stock Quantity	Boxed Weight lbs/oz	MSRP
<b>Stock Items 48 Hour Shipping:</b>								
02066	3/4"	KD		US4	00166	25	6/2	\$7.88
02066	3/4"	KA CAT30		US4	02676	25	6/2	\$7.88
02066	3/4"	KA AUE1		US4	00168	25	6/2	\$7.88
02066	3/4"	KA CAT30		US26D	02682	25	6/2	\$7.88
02066	7/8"	KD		US4	00160	25	6/2	\$7.88
02066	7/8"	KA CAT 30		US4	00162	25	6/2	\$7.88
02066	7/8"	KA CAT 60		US4	02680	25	6/2	\$7.88
02066	7/8"	KA AUE1		US4	00161	25	6/2	\$7.88
02066	7/8"	KD & MK 8003		US4	00165	25	6/2	\$7.88
02066	7/8"	KD		US26D	00163	25	6/2	\$7.88
02066	7/8"	KA CAT30		US26D	00164	25	6/2	\$7.88
02066	7/8"	KA CAT60		US26D	02644	25	6/2	\$7.88
K02066	7/8"	KD Carded		US4	00156	8	6/2	\$7.88
K02066	7/8"	KA Carded	CAT30	US4	00157	8	6/13	\$7.88
02066	1-1/8"	KD (AUE)		US4	00169	25	6/13	\$7.88
02066	1-1/8"	KA CAT30		US4	02687	25	6/13	\$7.88
02066	1-1/8"	KA CAT60		US4	02688	25	6/13	\$7.88
02066	1-1/8"	KA CAT30		US26D	02689	25	6/13	\$7.88
<b>Made-to-Order Items:</b>								
02066	7/8"		Y	US4				\$8.40
02066	7/8"		Y	US26D				\$8.40
02066B	7/8" 2" Bolt		Y	US4				\$12.60
02066B	7/8" 2" Bolt		Y	US26D				\$12.60
S16596	7/8" Gang Lock		Y	US4				\$26.25
S16596	7/8" Gang Lock		Y	US26D				\$26.25
02066	1-1/8"		Y	US4				\$8.40
02066	1-1/8"		Y	US26D				\$8.40
02066B	1-1/8" 2" Bolt		Y	US4				\$12.60
02066B	1-1/8" 2" Bolt		Y	US26D				\$12.60
2" Bolt	2"				120F902			\$3.15
CCL21	Plastic Spacer for 7/8" diameter locks, 3/32" thickness, WP21 Olympus Conversion, 10 shelf pack							\$2.10
	Master Keying Charge							\$4.41

- **Material:** Brass plated steel backplate and bolt, pressure cast cylinder
- If longer bolt is required, specify 02066B (Bolt length unlocked: 2" from centerline of lock to end). Gang lock
- **S16596:** 12" overall bolt length. Bolt extends from both ends of lock (Unlocked: 6.3" from top of lock; 4.2" from bottom of lock).
- **Strike No.:** 7S, brass US4 only, furnished only when ordered

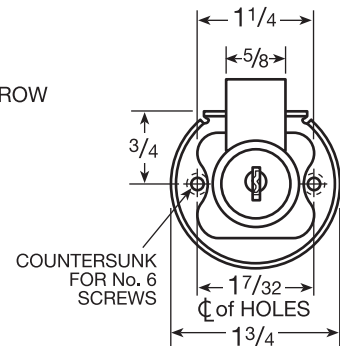
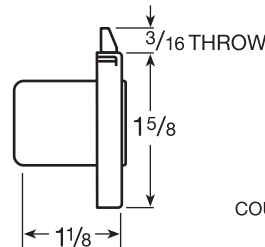
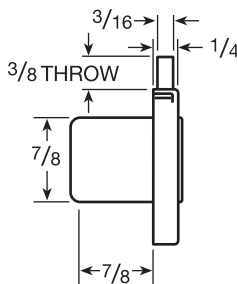
## 02068 | 02068 1/2 Drawer Locks

DISC TUMBLER Cannot be Masterkeyed

Part#	Length	Keyed	Master Keyed	Finish	MFT PT #	Stock Quantity	Boxed Weight lbs/oz	MSRP
<b>Stock Items 48 Hour Shipping:</b>								
02068	7/8"	KD		US4	00180	25	6/13	\$9.45
02068	7/8"	KA CAT30		US4	02686	25	6/13	\$9.45
02068 1/2	7/8"	KD		US4	02691	25	6/13	\$9.45
02068 1/2	7/8"	KA CAT30		US4	02692	25	6/13	\$9.45
<b>Made-to-Order Items:</b>								
02068	7/8"			US4				\$10.50
02068	1-1/8"			US4				\$10.50
02068 1/2	7/8"			US4				\$10.50
02068 1/2	7/8"			US26D				\$10.50
CCL21	Plastic Spacer for 7/8" diameter locks, 3/32" thickness, WP21 Olympus Conversion, 10 shelf pack							\$2.10



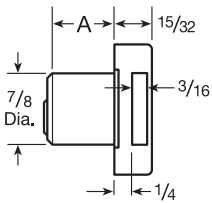
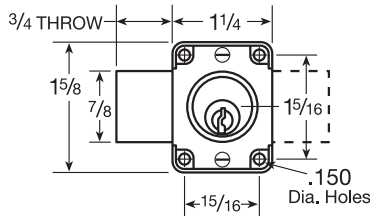
- 7/8" can be masterkeyed
- 1-1/8" cannot be masterkeyed
- **Material:** Brass plated steel backplate, cylinder and bolt, pressure cast
- **Rekeying:** Plug removal hole added to allow of for removal of plug assembly for rekeying purposes. To remove plug, insert key and rotate 90 degrees. Insert end of small tool (e.g., paper clip) into access hole and depress retainer while pulling key and plug out.
- **Strike No.:** 7S, brass US4 only, furnished only when ordered



# Cabinet Locks



0737



- Can be Masterkeyed
- Keyways Available: R1 & CR
- **Material:** Pressure Cast Case, Brass Cylinder
- **Operation:** Bolt moves right and left for either hand door
- **Strike:** No. 2540, brass, US4 only, furnished only when ordered

## 0737 Cabinet Lock PIN TUMBLER Can be Masterkeyed Compares to Olympus 500 DR

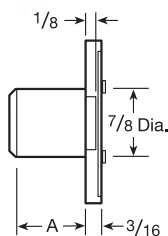
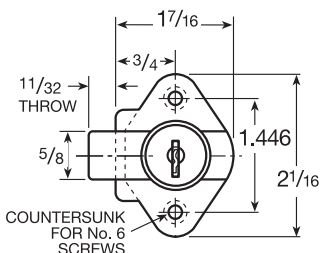
Part#	Length	Keyed	Master Keyed	Finish	MFT PT #	Stock Quantity	Boxed Weight lbs/oz	MSRP	
<b>Stock Items 48 Hour Shipping:</b>									
0737	7/8"	KD		US4	00128	10	4/3	\$34.65	
0737	7/8"	KA 4T37526		US4	02708	10	4/3	\$34.65	
0737	1-1/8"	KA 4T37526		US4	02705	10	4/10	\$35.70	
<b>Made-to-Order Items:</b>									
0737	3/4"			US26				\$38.85	
0737	3/4"			US26D				\$38.85	
0737	7/8"			US4				\$38.85	
0737	7/8"			US26				\$38.85	
0737	7/8"			US26D				\$38.85	
0737	1-1/8"			US4				\$38.85	
0737	1-1/8"			US26				\$38.85	
0737	1-1/8"			US26D				\$38.85	
0737	1-3/8"			US4				\$38.85	
0737	1-3/8"			US26				\$38.85	
0737	1-3/8"			US26D				\$38.85	
		<b>2540 STRIKE</b>		US4	<b>00196</b>		1/4	\$1.84	
		<b>CCL21</b>	Plastic Spacer for 7/8" diameter locks, 3/32" thickness, WP21 Olympus Conversion, 10 shelf pack						\$2.10
			Master Keying Charge						\$4.41



02067  
Finish US26D



02067  
Finish US4



## 02067 Cabinet Lock DISC TUMBLER Can be Masterkeyed

Part#	Length	Keyed	Master Keyed	Finish	MFT PT #	Stock Quantity	Boxed Weight lbs/oz	MSRP	
<b>Stock Items 48 Hour Shipping:</b>									
02067	7/8"	KD		US4	00171	25	6/2	\$8.40	
02067	7/8"	KA CAT 30		US4	00173	25	6/2	\$8.40	
02067	7/8"	KA CAT 60		US4	02696	25	6/2	\$8.40	
02067	7/8"	KA AUE 1		US4	00172	25	6/2	\$8.40	
02067	7/8"	KD&MK M8003		US4	02697	25	6/2	\$8.40	
02067	7/8"	KD (AUE)		US26D	00174	25	6/2	\$8.40	
02067	7/8"	KA CAT 30		US26D	02694	25	6/2	\$8.40	
02067	7/8"	KA CAT 60		US26D	02685	25	6/2	\$8.40	
02067	1-1/8"	KD (AUE)		US4	00177	25	6/13	\$8.40	
02067	1-1/8"	KA CAT 30		US4	02700	25	6/13	\$8.40	
02067	1-1/8"	KA CAT 60		US4	02701	25	6/13	\$8.40	
02067	1-1/8"	KA CAT 30		US26D	02702	25	6/13	\$8.40	
<b>Made-to-Order Items:</b>									
02067	3/4"			US4				\$9.45	
02067	7/8"			US4				\$9.45	
02067	7/8"			US26D				\$9.45	
02067	1-1/8"			US4				\$9.45	
02067	1-1/8"			US26D				\$9.45	
		<b>7S Strike</b>		US4 Strike	<b>00082</b>	25	0/4	\$1.84	
		<b>CCL21</b>	Plastic Spacer for 7/8" diameter locks, 3/32" thickness, WP21 Olympus Conversion, 10 shelf pack						\$2.10
			Master Keying Charge						\$4.41

# Cabinet Locks

## Electronic Cabinet Lock **NEW** Product Series

Part#	UPC Code	Handing	H	W	D	Finish	Use/Mode	Stock Quantity	MSRP
<b>Stock Items 48 Hour Shipping:</b>									
E901RSS	021919055042	Horizontal	93mm	25mm	32mm	ABS Material	Standard Use/Mode	ea.	\$82.95
E901R1S	021919055066	Horizontal	93mm	25mm	32mm	ABS Material	One Time Use /Mode	ea.	\$82.95
E901VSS	021919055059	Vertical	93mm	25mm	32mm	ABS Material	Standard Use/Mode	ea.	\$82.95
E901V1S	021919055073	Vertical	93mm	25mm	32mm	ABS Material	One Time Use /Mode	ea.	\$82.95
E902RSS		Horizontal	55mm	124mm	25mm	Silver Powder Coat	Standard Use/Mode	ea.	\$150.00
E902R1S		Horizontal	55mm	124mm	25mm	Silver Powder Coat	One Time Use /Mode	ea.	\$150.00
E902VSS		Vertical	124mm	55mm	25mm	Silver Powder Coat	Standard Use/Mode	ea.	\$150.00
E902V2S		Vertical	124mm	55mm	25mm	Silver Powder Coat	One Time Use /Mode	ea.	\$150.00
E903VMB		Vertical	120mm	37mm	21.5mm	Black Powder Coat	Multi-Use	ea.	\$169.00

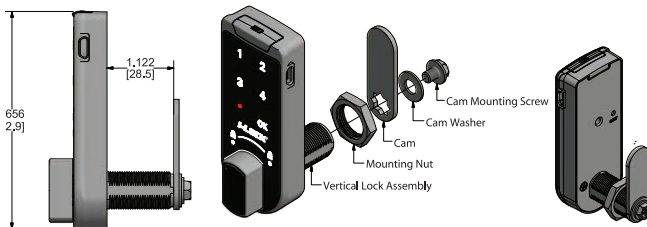


### E901 & E902

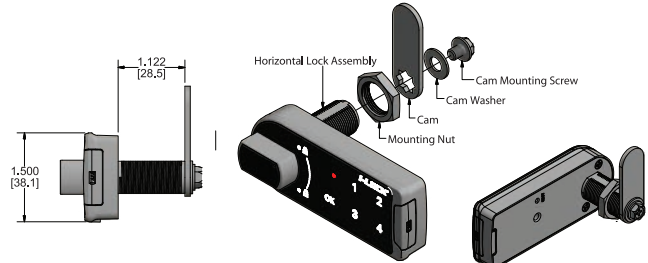
- 4 button electronic lock with simple touch screen entry
- Use on metal and wood doors with thickness of 0.6mm-22mm
- Low power consumption with 1 year battery life powered by single button cell
- Made from UV protected ABS material
- 1 to 8 digit PIN code with 87,380 possible codes
- Standard single use mode or one time use mode (factory programmed)
- Audible alarm when incorrect code is entered 4 times
- Audible low battery warning when 200 cycles remain
- Standard Use – Enter a user code and it remains until re-set
- One Time Use – Enter a user code to lock and unlock only once
- Works in any application that has a standard keyed cam lock

### E903

- Ideal for new installations, or a quick retrofit for keyed cam locks
- Suitable applications include: cabinets, cupboards, medical carts, lockers, etc.
- Keypad with 12 individual buttons (0-9, C, #)
- Easily programmable codes: 1 Master Code, 1 Sub-master Code, & 30 User Codes
- Configurable code length – 4 to 6 digits
- 15,000 operations on 2 x AAA batteries (included)
- Non-volatile memory
- Battery failure override using a 9V battery and Master Code
- Three Operation Modes available: Multiple User mode, Code Free mode, & Single Use Mode (locker mode)



E901 Horizontal



E901 Vertical



# Small Format Interchangeable Core

## 72 Series IC Core



Sesame® SFIC Cylinder

**SFIC Cores available on p.80**

**Model/Series:**  
72 = SFIC

**Style:**  
0 = Dead Latching  
1 = Housing  
2 = Ratchet  
3 = Plunger/Deadbolt  
4 = Cabinet  
5 = Mortise/Deadbolt  
6 = Mortise/Latchbolt  
7 = Rim/Deadbolt  
8 = Rim/Latchbolt  
9 = Cam Lock

**Option:**

0 = None  
1 = Door RH/LH multi-function  
2 = Drawer VH/IH multi-function  
3 = Door RH  
4 = Door LH  
5 = Drawer VH (top locking)  
6 = Drawer IH (bottom locking)  
7 or 8 = Brass Housing

**Function:**

1 = Drawer Lock  
2 = Door Lock  
3 = DW/DR multi-function  
4 = Sliding Door/TBM  
5 = Sliding Door/Non-TBM

\*Stock Locks are NKR. To order KR please add -KR to the part number with exception of 72357/72347 that include KR set screw.

Part#	UPC Code	Style	Function	Option	Finish	Olympus Conversion	Best Conversion	Shelf Pack	MSRP
72412	021919724122	Cabinet	Drawer Lock	Drawer VH/IH multi-function	US26	721DW	3L7RD2	10	\$36.75
72421	021919724214	Cabinet	Door Lock	Door RH/LH multi-function	US26	721DR	N/A	10	\$36.75
72515	021919725150	Mortise/Deadbolt	Drawer Lock	Drawer VH (top locking)	US26	725MD-DW-VH	5L7MD2	10	\$36.75
72516	021919725167	Mortise/Deadbolt	Drawer Lock	Drawer IH (bottom locking)	US26	725MD-DW-IH	5L7MD5	10	\$36.75
72524	021919725242	Mortise/Deadbolt	Door Lock	Door LH	US26	725MD-DR-LH	N/A	10	\$36.75
72523	021919725235	Mortise/Deadbolt	Door Lock	Door RH	US26	725MD-DR-RH	N/A	10	\$36.75
72615	021919726157	Mortise/Latchbolt	Drawer Lock	Drawer VH (top locking)	US26	725ML-DW-VH	5L7ML2	10	\$36.75
72616	021919726164	Mortise/Latchbolt	Drawer Lock	Drawer IH (bottom locking)	US26	725ML-DW-IH	5L7ML5	10	\$36.75
72624	021919726249	Mortise/Latchbolt	Door Lock	Door LH	US26	725ML-DR-LH	N/A	10	\$36.75
72623	021919726232	Mortise/Latchbolt	Door Lock	Door RH	US26	725ML-DR-RH	N/A	10	\$36.75
72715	021919727154	Rim/Deadbolt	Drawer Lock	Drawer VH (top locking)	US26	725RD-DW-VH	5L7RD2	10	\$36.75
72716	021919727161	Rim/Deadbolt	Drawer Lock	Drawer IH (bottom locking)	US26	725RD-DW-IH	5L7RD5	10	\$36.75
72724	021919727246	Rim/Deadbolt	Door Lock	Door LH	US26	725RD-DR-LH	N/A	10	\$36.75
72723	021919727239	Rim/Deadbolt	Door Lock	Door RH	US26	725RD-DR-RH	N/A	10	\$36.75
72815	021919728151	Rim/Latchbolt	Drawer Lock	Drawer VH (top locking)	US26	725RL-DW-VH	5L7RL2	10	\$36.75
72816	021919728168	Rim/Latchbolt	Drawer Lock	Drawer IH (bottom locking)	US26	725RL-DW-IH	5L7RL5	10	\$36.75
72824	021919728243	Rim/Latchbolt	Door Lock	Door LH	US26	725RL-DR-LH	N/A	10	\$36.75
72823	021919728236	Rim/Latchbolt	Door Lock	Door RH	US26	725RL-DR-RH	N/A	10	\$36.75
72938	021919729387	Cam Lock	DW/DR multi-function	Brass Housing	US26	720B		10	\$36.75
72357	021919723576	Plunger/Deadbolt	Sliding Door/Non-TBM-NKR/KR	Brass Housing	US26	722S	2S	10	\$47.25
72347	021919723477	Plunger/Deadbolt	Sliding Door/TBM-NKR/KR	Brass Housing	US26	722S-TBM	2S-TBM	10	\$47.25
72221	021919722210	Ratchet	Door Lock	Door RH/LH multi-function	US26	729R	3S	10	\$36.75
72150	021919721503	Housing	Sliding Door/TBM	None	US26	723IC	4S	10	\$31.50
72012	021919720124	Dead Latching	Drawer Lock	Drawer VH/IH multi-function	US26	950IC	N/A	10	\$42.00

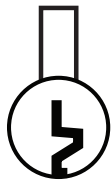
Product of Taiwan; designed in Wheeling, Illinois





# Key-in-Knob Cabinet Locks

## 70 Series Key-in-Knob Prepped for Schlage®



For Schlage style original or replacement cylinders

### Model/Series

Cylinder Length: \_\_\_\_\_  
 70 = KIK 1-9/16 Inch Cyl Length

### Style:

0 = Dead-Latching  
 4 = Cabinet  
 9 = Cam Lock

### Function:

1 = Drawer Lock  
 2 = Door Lock  
 3 = DW/DR multi-function

### Keying: \*

KD = keyed-different  
 KA101 = keyed-alike to 101  
 KA102 = keyed-alike to 102  
 ZERO = supplied 0-bitted

\* less cylinder omit keying information from part number

### Option:

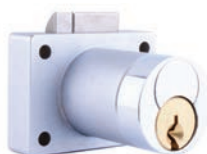
1 = Door RH/LH multi-function  
 2 = Drawer VH/IH multi-function  
 3 = Drawer VH (top locking)  
 8 = Brass Housing

**\*Stock Locks are NKR. To order KR please add -KR to the part number**

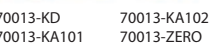
Part#	UPC Code	Style	Function	Option	Keyed	Finish	Olympus Conversion	Shelf Pack	MSRP
70013	021919004002	Dead-Latching	Drawer Lock	Drawer VH (top locking)	No Core	US26	850SC	10	\$42.00
70013-KD	021919004019	Dead-Latching	Drawer Lock	Drawer VH (top locking)	KD	US26	850SC	10	\$52.50
70013-KA101	021919004026	Dead-Latching	Drawer Lock	Drawer VH (top locking)	KA 101	US26	850SC	10	\$52.50
70013-KA102	021919004033	Dead-Latching	Drawer Lock	Drawer VH (top locking)	KA 102	US26	850SC	10	\$52.50
70013-ZERO	021919004040	Dead-Latching	Drawer Lock	Drawer VH (top locking)	0-Bit	US26	850SC	10	\$52.50
70412	021919004057	Cabinet	Drawer Lock	Drawer VH/IH multi-function	No Core	US26	800SC	10	\$42.00
70412-KD	021919004064	Cabinet	Drawer Lock	Drawer VH/IH multi-function	KD	US26	800SC	10	\$52.50
70412-KA101	021919004071	Cabinet	Drawer Lock	Drawer VH/IH multi-function	KA 101	US26	800SC	10	\$52.50
70412-KA102	021919004088	Cabinet	Drawer Lock	Drawer VH/IH multi-function	KA 102	US26	800SC	10	\$52.50
70412-ZERO	021919004095	Cabinet	Drawer Lock	Drawer VH/IH multi-function	0-Bit	US26	800SC	10	\$52.50
70421	021919004101	Cabinet	Door Lock	Door RH/LH multi-function	No Core	US26	700SC	10	\$42.00
70421-KD	021919004118	Cabinet	Door Lock	Door RH/LH multi-function	KD	US26	700SC	10	\$52.50
70421-KA101	021919004125	Cabinet	Door Lock	Door RH/LH multi-function	KA 101	US26	700SC	10	\$52.50
70421-KA102	021919004132	Cabinet	Door Lock	Door RH/LH multi-function	KA 102	US26	700SC	10	\$52.50
70421-ZERO	021919004149	Cabinet	Door Lock	Door RH/LH multi-function	0-Bit	US26	700SC	10	\$52.50
70938	021919004156	Cam Lock	DW/DR multi-function	Brass Housing	No Core	US26	820SC	10	\$42.00
70938-KD	021919004163	Cam Lock	DW/DR multi-function	Brass Housing	KD	US26	820SC	10	\$52.50
70938-KA101	021919004170	Cam Lock	DW/DR multi-function	Brass Housing	KA 101	US26	820SC	10	\$52.50
70938-KA102	021919004187	Cam Lock	DW/DR multi-function	Brass Housing	KA 102	US26	820SC	10	\$52.50
70938-ZERO	021919004194	Cam Lock	DW/DR multi-function	Brass Housing	0-Bit	US26	820SC	10	\$52.50



70013



70013-KD  
70013-KA101



70013-KA102  
70013-ZERO



70412



70421



70938-KD  
70938-KA101

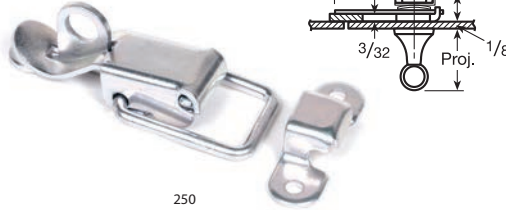


70938

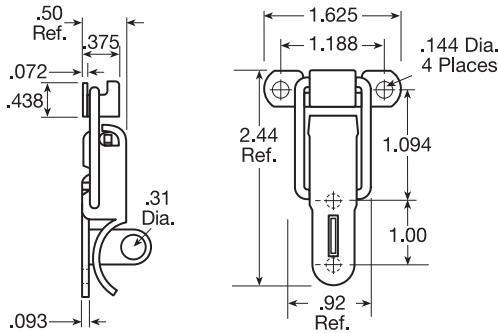
# Draw Pull Catches

## 250 | 250W | 641 | 642 | 643 | 794 Draw Pull Catch

### 250 | 250W Draw Pull Catch



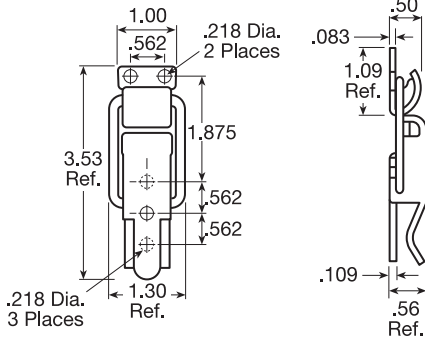
250



### 641 | 642 | 643 Draw Pull Catch with Compression Springs



641



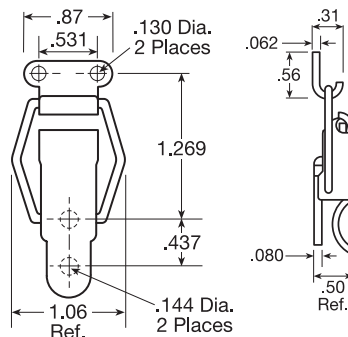
Part#	Length	Keyed	Master Keyed	Finish	MFT PT #	Stock Quantity	Boxed Weight lbs/oz	MSRP
<b>250, 250W Draw Pull Catch</b>								
<b>Stock Items 48 Hour Shipping:</b>								
250				US2G	00107	25	2/3	\$4.10
<b>Accessories:</b>								
S250 STRIKE				US2G				\$0.84
<b>641, 642, 643 Draw Pull Catch with Compression Strings</b>								
<b>Stock Items 48 Hour Shipping:</b>								
641				US2G	00121		4/7	\$5.57
642				US2G	00122		5/3	\$6.20
643				US2G	00123		5/0	\$5.62
<b>Accessories:</b>								
S641				US2G	040F0780002G			\$1.05
S644				US2G	040F3080002G			\$1.05
<b>794 Draw Pull Catch</b>								
<b>Stock Items 48 Hour Shipping:</b>								
794				US2G	00130	25	2/3	\$2.42
<b>Accessories:</b>								
S794				US2G	032F5780002G			\$1.05

Made in USA

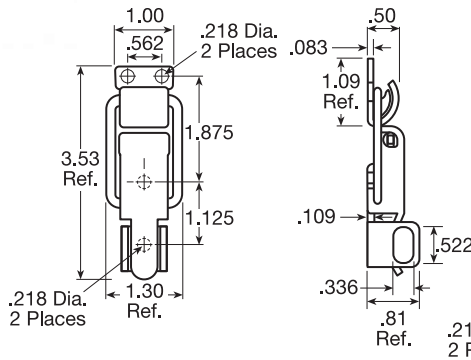
### 794 Draw Pull Catch



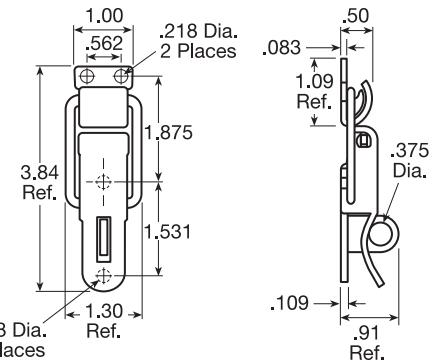
794



642



643



# Draw Pull Catches

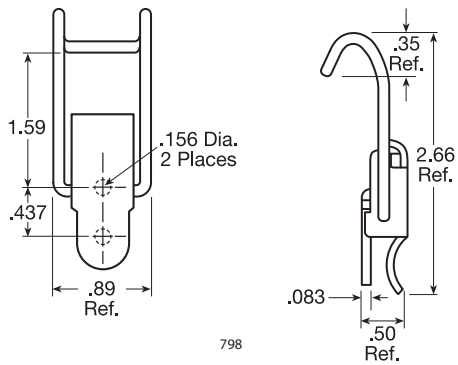
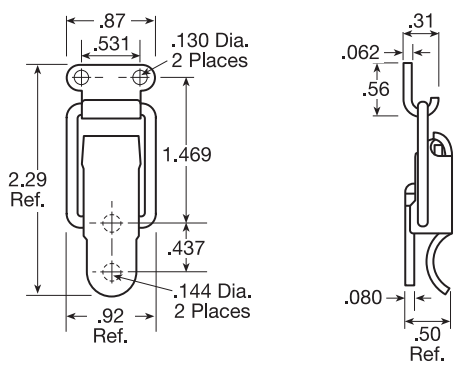
## 797 | 798 | Draw Pull Catch

Part#	Length	Keyed	Master Keyed	Finish	MFT PT #	Stock Quantity	Boxed Weight lbs/oz	MSRP
<b>797, 0797, 797W Draw Pull Catch</b>								
<b>Stock Items 48 Hour Shipping:</b>								
797				US2G	00131	25	1/7	\$2.42
0797		W/S/L		US3				\$3.26
<b>Accessories:</b>								
5794				US2G	032F5780002G			\$1.05
<b>798 Draw Pull Catch (NO STRIKE INCLUDED)</b>								
<b>Stock Items 48 Hour Shipping:</b>								
798				US2G	00132	25	1/7	\$2.42

Made in USA



797 Draw Pull Catch



798 Draw Pull Catch (NO STRIKE INCLUDED)



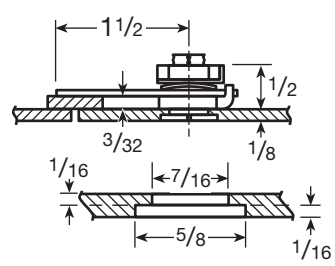
## 2504 Flush Metal Catch

Part#	Length	Keyed	Master Keyed	Finish	MFT PT #	Stock Quantity	Boxed Weight lbs/oz	MSRP
<b>Stock Items 48 Hour Shipping:</b>								
2504	Catch			US26	00591	10	0/15	\$10.50
<b>Made-to-order Items:</b>								
2504				US10				\$10.50
2504				US26D				\$11.55
2506	Cam			US2G	135F8080002G			\$1.47
2506D	Ass'y Plate			US2G	106F968			\$1.26

Made in USA



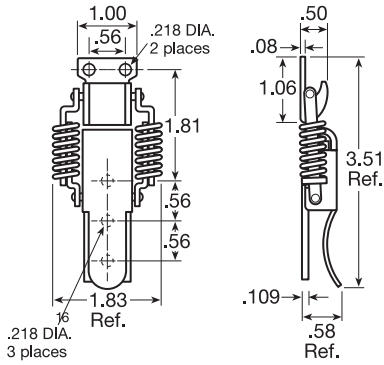
2405



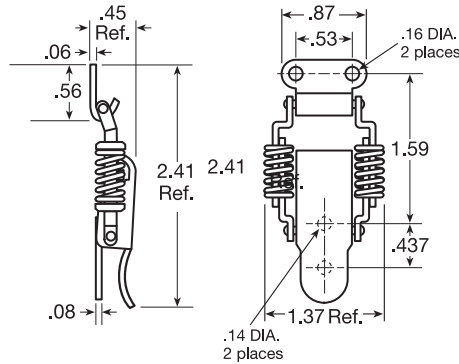
# Compression Springs



804 Draw Pull Catch



824 Draw Pull Catch



Made in USA

## 804 | 824 Draw Pull Catches with Compression Springs

Part#	Length	Keyed	Master Keyed	Finish	MFT PT #	Stock Quantity	Boxed Weight lbs/oz	MSRP
-------	--------	-------	--------------	--------	----------	----------------	---------------------	------

### 804 Draw Pull Catch

Stock Items 48 Hour Shipping:

804				US2G	00134	25	4/0	\$12.60
-----	--	--	--	------	-------	----	-----	---------

Accessories:

5641				US2G	040F0780002G			\$1.05
------	--	--	--	------	--------------	--	--	--------

### 824 Draw Pull Catch

Stock Items 48 Hour Shipping:

824				US2G	00135	25	2/0	\$8.66
-----	--	--	--	------	-------	----	-----	--------

Accessories:

5794 Strike				US2G	032F5780002G			\$1.05
-------------	--	--	--	------	--------------	--	--	--------

## 834 | 834S | 834U Draw Pull Catches with Concealed Compression Springs

Part#	Length	Keyed	Master Keyed	Finish	MFT PT #	Stock Quantity	Boxed Weight lbs/oz	MSRP
-------	--------	-------	--------------	--------	----------	----------------	---------------------	------

### 834, 834S, 834U Draw Pull Catches – with Concealed Compression Springs

Stock Items 48 Hour Shipping:

834				US2G	03059	25	2/3	\$13.65
-----	--	--	--	------	-------	----	-----	---------

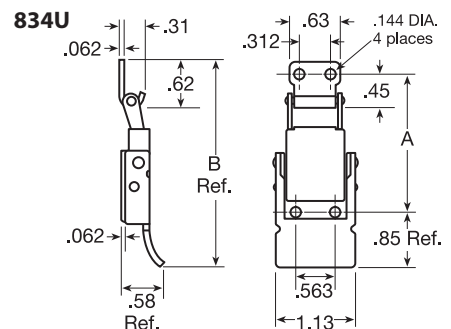
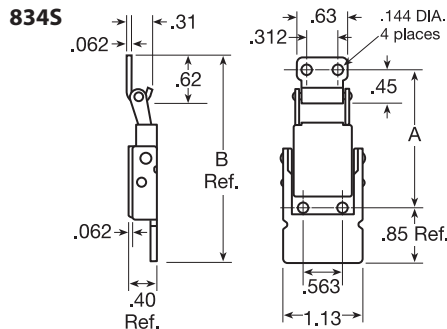
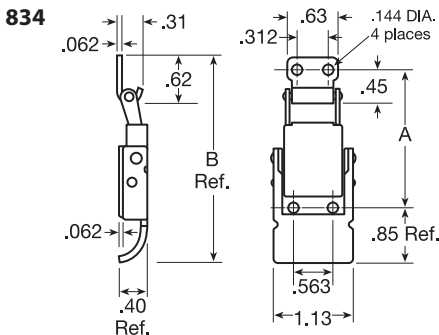
Accessories:

834S Strike				US2G				Call For Quote 1,000 pc Minimum
-------------	--	--	--	------	--	--	--	---------------------------------

Made in USA



834 Draw Pull Catch



# Multi-Purpose Suitcase Catches

## 1771 | 1778 Multipurpose Suitcase Catches

Part#	Length	Keyed	Master Keyed	Finish	MFT PT #	Stock Quantity	Boxed Weight lbs/oz	MSRP
-------	--------	-------	--------------	--------	----------	----------------	---------------------	------

### 1771 & 1778 Catch – MULTIPURPOSE SUITCASE CATCHES

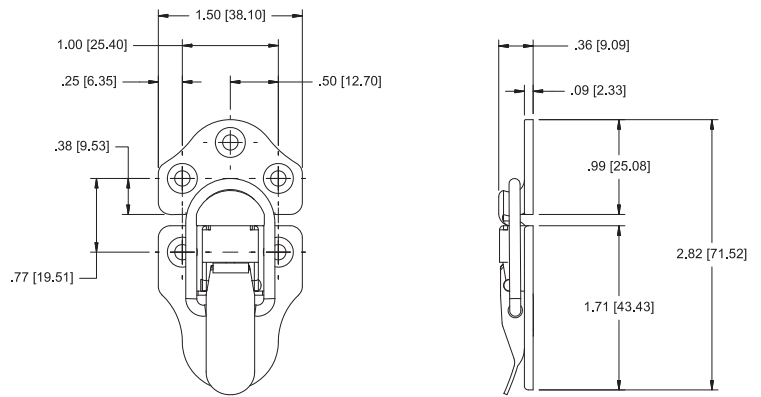
Stock Items 48 Hour Shipping:

1771				US3	00147	25	1/7	\$2.42
1771				US14	00148	25	1/7	\$2.42
1778				US3	00149	25	2/8	\$2.42
1778				US14	00150	25	2/8	\$2.42

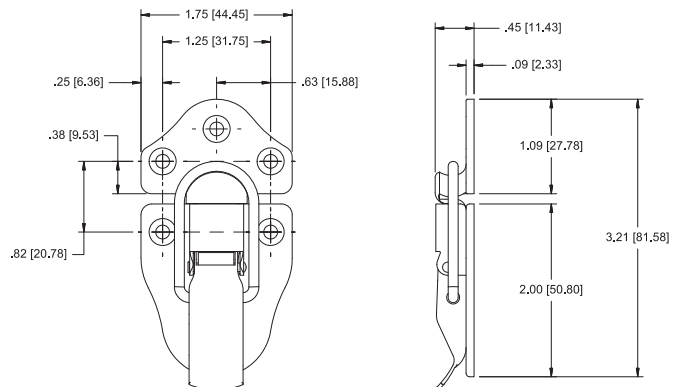
Made in USA



1771 Catch



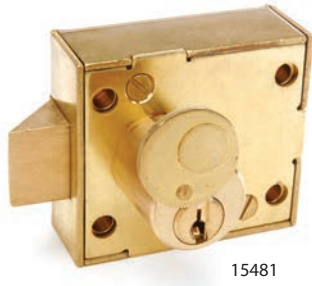
1778 Catch





# Enclosure Locks

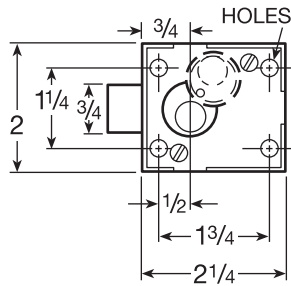
## 15481 Enclosure Lock PIN TUMBLER & WARDED



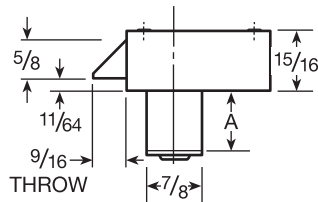
15481



A15481



15481



Part#	Handing	Description	Master Keyed	Finish	MFT PT #	Stock Quantity	Boxed Weight lbs/oz	MSRP
-------	---------	-------------	--------------	--------	----------	----------------	---------------------	------

**Stock Items 48 Hour Shipping:**

55481	RH	Latch Bolt	#2 Key Only	US2G	S11112			\$36.75
A55481	RH	Dead Bolt	#2 Key Only	US2G	S11111			\$36.75
15481	RS	Latch Bolt	#2 Key Only		15482			\$68.25
15481	LS	Latch Bolt	#2 Key Only		15484			\$68.25
A15481	RS	Dead Bolt	#2 Key Only		15483			\$68.25
A15481	LS	Dead Bolt	#2 Key Only		15485			\$68.25

For large volume please contact factory for quote

Dust Cover						465F062		\$2.78
------------	--	--	--	--	--	---------	--	--------

**Made-to-Order Items:**

15481	RS-LS	Latch Bolt		US4				\$68.25
A15481	RS-LS	Dead Bolt		US4				\$68.25

Master Keying Charge								\$4.41
----------------------	--	--	--	--	--	--	--	--------

**15481**

- Can be masterkeyed
  - Keyways Available: CR
  - **Material:** All Brass
  - **Operation:** 1/4 turn of key retracts latch bolt.
- Regularly furnished with Dust Cap to cover keyway. Also available without Dust Cap.

**55481**

- Cannot be masterkeyed
- **Material:** Zinc Die Cast
- **Operation:** Available Right Hand, Keyed Alike #2 in CR Keyway Only

> Enclosure Lock Manufacture & Assembly Station Wheeling, Illinois.



## 15767 | 15768 | 15867 | 15868 Enclosure (Panelboard)

DISC TUMBLER Can be Masterkeyed

Part#	Handing	Description	Master Keyed	Finish	MFT PT #	Stock Quantity	Boxed Weight lbs/oz	MSRP
<b>Stock Items 48 Hour Shipping:</b>								
15767	RH	KA CAT45		US26D	00224	25	9/5	\$11.13
15767	RH	KA CAT60		US26D	00225	25	9/5	\$11.13
15768	Non-Locking			US26D	00226	25	9/5	\$7.35
<b>15867 (Reversible) CAT60</b>				US26D	00227	25	7/12	\$11.13
<b>Made-to-Order Items:</b>								
15767	RH/LH			US26D				\$12.18
15768RH	RH/LH NON-LOCKING			US26D				\$7.35
<b>15867 (Reversible) CAT60</b>				US26D				\$12.18
<b>15868</b>				US26D				\$9.24
<b>Mounting Clip</b>					<b>199F838</b>			\$1.31
Master Keying Charge								\$4.41



15767



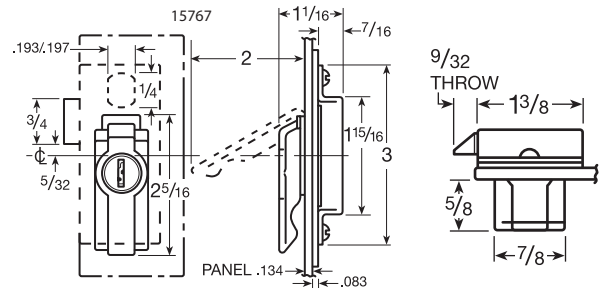
15867

### 15767 & 15768

- **Material:** Pressure Cast Lift Lever & Bolt, Steel Case, Zinc Plated Standard
- Regularly furnished right hand, left hand available when specified
- **Operation:** Self Latching. Latch bolt retracted by lifting up on lift lever except when lever is locked down by key. Key is removable in both locked and unlocked positions. 15768: same as 15767 except without key locking mechanism

### 15867 & 15868

- **Material:** Pressure Cast Lift Lever, Steel Case, Zinc Plated Standard
- Reversible for right or left hand door
- **Operation:** Self Latching. Latch bolt retracted by lifting up on lift lever except when lever is locked down by key. Key is removable in either locked and unlocked positions. Easy installation with steel mounting clip 199F83. 15868: same as 15867 except without key locking mechanism

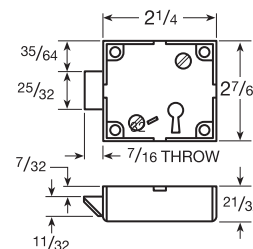


## R357SGS Enclosure Lock WARDED CONSTRUCTION

Part#	Handing	Description	Master Keyed	Finish	MFT PT #	Stock Quantity	Boxed Weight lbs/oz	MSRP
<b>Stock Items 48 Hour Shipping:</b>								
R357SGS	1 Short Key R4277			Brass	02612	10	4/6	\$39.48
R557SGS	1 Short Key R4277			Diecast	03192	10	4/12	\$22.05
R557SGS	2 Long Keys R4266			Diecast	05572	10	5/0	\$22.05
<b>Made-to-Order Items:</b>								
R357SGS	1 Long Key			Brass				\$39.48
R4266	Long Key			Brass	313F162			\$6.25
R4277	Short Key			Brass	313F142			\$6.25
R4266	Long Key	3-9/32"		Brass	02613	25	1/7	\$7.30
R4277	Short Key	2-25/64"		Brass	02614	25	1/3	\$8.35



R357SGS



R4266

R4277

### R357SGS

- Cannot be masterkeyed
- **Material:** Brass, Cast Zinc Alloy Bolt, Police Call Box Lock
- **Operation:** Self Latching, latch bolt retracted by key

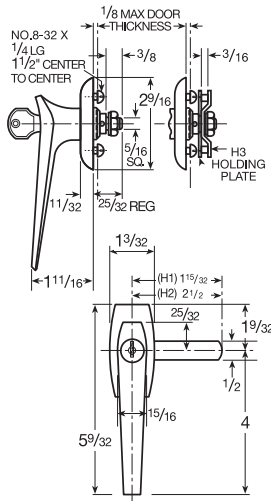
### R557SGS

- Cannot be masterkeyed
- **Material:** Zinc Die Cast Case & Bolt Furnished Right Hand Only
- **Operation:** Self Latching, latch bolt retracted by key

# Disc Tumblers



1000 RH



- Material:** Pressure Cast Handle, Steel Zinc Plated Spindle
- Operation:** Furnished for one, two or three point locking, right or left hand doors, with 90 or 180 degrees rotation (90 deegred RH regularly furnished)
- Cam Positioning:** Square spindle allows cams to be mounted at 12, 3, 6, and 9 o'clock
- Rods and Guides:** Not furnished
- Spindle Length:** Regularly furnished 25/32" and 3 1/2" long (measured from back of escutcheon). Also available in 1/4" increments from 1" to 3 1/2".
- Surface Mounting:** In addition to mounting shown, handles are available with attaching holes through face of escutcheon for surface mounting - 1 1/2" c. to c., countersunk for #10-32 screws. When ordering, suffix S to number (1001S). Screws not furnished.
- Rekeying:** Plug removal access hole added to shank of handle to allow for removal of plug assembly for rekeying purposes. To remove plug, insert key and rotate 90 degrees. Insert small tool (e.g., paper clip) in access hole and depress retainer while pulling key and plug out of handle.

## 1000 Series Lever Handle

DISC TUMBLER Can be Masterkeyed

Part#	Spindle Length	Keyed	Finish	MFT PT #	Stock Quantity	Boxed Weight lbs/oz	MSRP
-------	----------------	-------	--------	----------	----------------	---------------------	------

**Stock Items 48 Hour Shipping:**

1000 RH	25/32"	KA CAT60	US26D	00586	10	5/10	\$16.80
1000 RH	3-1/2"	KA CAT45	US26D	02653	10	5/10	\$17.85
1000 RH	3-1/2"	KA CAT60	US26D	02368	10	5/10	\$17.85
1000A RH	25/32"	NON LOCKING	US26D	00587	10	5/10	\$10.50
1000A RH	3-1/2"	NON LOCKING	US26D	02369	10	5/10	\$11.55

**Made-to-Order Items:**

Spindle	25/32"			123F7180002G			\$1.68
Spindle	1"			123F7380002G			\$1.68
Spindle	1-1/4"			123F7580002G			\$1.68
Spindle	1-1/2"			123F7780002G			\$1.68
Spindle	1-3/4"			123F7980002G			\$1.68
Spindle	2"			123F8180002G			\$1.68
Spindle	2-1/4"			123F8380002G			\$1.68
Spindle	2-1/2"			123F8580002G			\$1.68
Spindle	2-3/4"			123F8780002G			\$1.68
Spindle	3"			123F8980002G			\$1.68
Spindle	3-1/2"			123F9380002G			\$1.68

1000 RH or LH Pick Length			US26D				\$17.85
1000A RH Pick Length Non-Locking			US26D				\$11.55
1000AS	Surface Non-Locking		US26D				\$12.60
1000B	Non-Lock Rigid		US26D				\$10.50
1000S RH or LH Pick Length			US26D				\$18.90
H1 Cam	1-15/32"		US26	255F7480002G	10		\$1.31
H2 Cam	2-1/2"		US26	255F7580002G	10		\$1.31
H3 Holding Plate			US26	255F7680002G	10		\$1.31
S14441 Cam			US2G	328F9080002G			\$1.68
S14452 Cam			US2G	354F638			\$1.68
S14271 Cam			US2G	328F888			\$1.68
Master Keying Charge							
\$4.41							

**Cams & Holding Plates for 1000 & 1000 Series Handles**

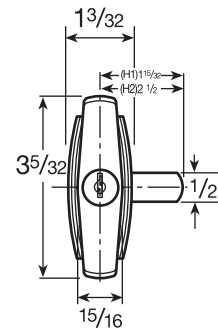
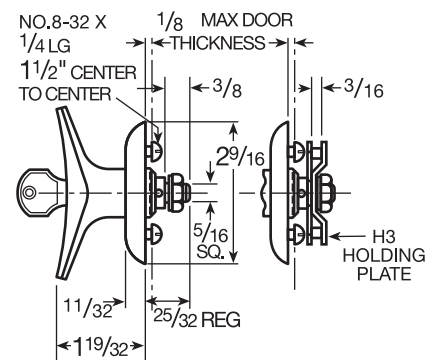
**Made-to-Order Items:**

H1 Cam	1-15/32"		US2G	00074	10		\$1.31
H2 Cam	2-1/2"		US2G	00075	10		\$1.31
H3 Holding Plate			US2G	00076	10		\$1.31
H1 Cam	1-15/32"		US2G	255F7480002G			\$1.31
H2 Cam	2-1/2"		US2G	255F7580002G			\$1.31
H3 Holding Plate			US2G	255F7680002G			\$1.31
S14441 Cam			US2G	328F9080002G			\$1.68
S14452 Cam			US2G	354F638			\$1.68
S14271 Cam			US2G	328F888			\$1.68

# 1001 Series Tee Handle

DISC TUMBLER Can be Masterkeyed

Part#	Spindle Length	Keyed	Finish	MFT PT #	Stock Quantity	Boxed Weight lbs/oz	MSRP
<b>Stock Items 48 Hour Shipping:</b>							
1001 RH	25/32"	KA CAT45	US26D	02650	10	5/10	\$17.85
1001 RH	25/32"	KA CAT60	US26D	00588	10	5/10	\$17.85
1001 RH	3-1/2"	KA CAT45	US26D	02655	10	5/10	\$17.85
1001 RH	3-1/2"	KA CAT60	US26D	02370	10	5/10	\$17.85
1001A RH	25/32"	NON-LOCKING	US26D	00589	10	5/10	\$10.50
1001A RH	3-1/2"	NON-LOCKING	US26D	02367	10	5/10	\$11.55
Spindle	25/32"			123F7180002G			\$1.68
Spindle	1"			123F7380002G			\$1.68
Spindle	1-1/4"			123F7580002G			\$1.68
Spindle	1-1/2"			123F7780002G			\$1.68
Spindle	1-3/4"			123F7980002G			\$1.68
Spindle	2"			123F8180002G			\$1.68
Spindle	2-1/4"			123F8380002G			\$1.68
Spindle	2-1/2"			123F8580002G			\$1.68
Spindle	2-3/4"			123F8780002G			\$1.68
Spindle	3"			123F8980002G			\$1.68
Spindle	3-1/2"			123F9380002G			\$1.68
H1 Cam	1-15/32"		US2G	00074	10		\$1.31
H2 Cam	2-1/2"		US2G	00075	10		\$1.31
H3 Holding Plate			US2G	00076	10		\$1.31
<b>Made-to-Order Items:</b>							
1001 RH			US26D				\$18.90
1001A RH	Non-Lock Pick Length		US26D				\$11.55
1001AS RH	Non-Lock Rigid		US26D				\$11.55
1001B RH	Non-Lock Rigid		US26D		500pc Minimum		\$11.55
1001S			US26D				\$18.90
H1 Cam	1-15/32"		US2G	00074	10		\$1.31
H2 Cam	2-1/2"		US2G	00075	10		\$1.31
H3 Holding Plate			US2G	00076	10		\$1.31
S14441 Cam			US2G	328F9080002G			\$1.68
S14452 Cam			US2G	354F638			\$1.68
S14271 Cam			US2G	328F888			\$1.68
Master Keying Charge							\$4.41

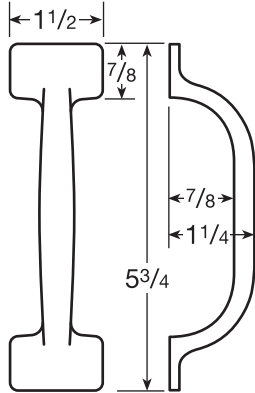


# Pull Handles

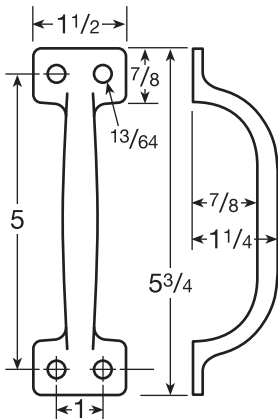
## 3284 | S14810 Pull Handle



3284



S14810



Part#	Spindle Length	Keyed	Finish	MFT PT #	Stock Quantity	Boxed Weight lbs/oz	MSRP
-------	----------------	-------	--------	----------	----------------	---------------------	------

**Stock Items 48 Hour Shipping:**

3284			PS	02005	100	13/3	\$138.60
------	--	--	----	-------	-----	------	----------

**Made-to-Order Items:**

3284			US2G	349F2580002G	Sold in qty. of 100pc		\$189.21
S14810			US2G	349F2480002G	Sold in qty. of 100pc		\$116.43
S14810			PS	349F248	Sold in qty. of 100pc		\$102.90



# 3 Point Tee Handles

## 15766 3 Point Tee Handle

DISC TUMBLER Can be Masterkeyed

Part#	Spindle Length	Keyed	Finish	MFT PT #	Stock Quantity	Boxed Weight lbs/oz	MSRP
-------	----------------	-------	--------	----------	----------------	---------------------	------

**Stock Items 48 Hour Shipping:**

15766 RH		KA CAT 60	US26D	00593			\$14.39
----------	--	-----------	-------	-------	--	--	---------

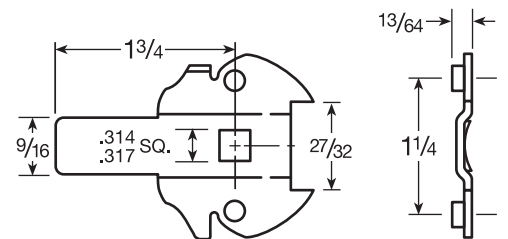
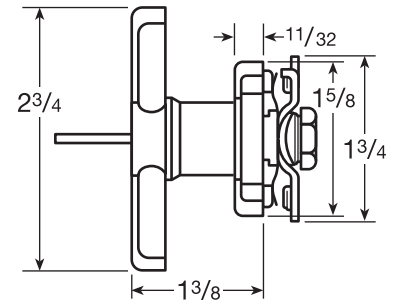
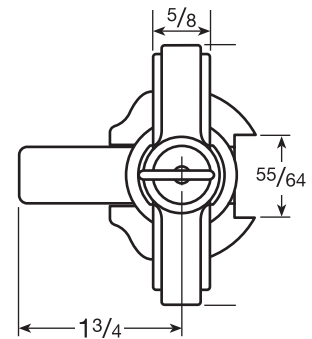
**Made-to-Order Items:**

15766			US26D				\$14.39
3 Point Cam LH			Zinc	262F8080002G			\$4.15
3 Point Cam RH				262F7980002G			\$4.15
Master Keying Charge							\$4.41

- **Material:** Pressure Cast, Steel Zinc Plated Cam
- **Operation:** Top and bottom bolts and cam are operated by quarter turn of handle, except when handle is locked by key. Key removable in either locked or unlocked position.
- **Metal Thickness:** 1/8" Maximum
- **Regular Key Changes:** 200 with key blank 5865JVR
- **Master Key Changes:** 180 with key blank 5860KS
- **Rods and Guides:** Not furnished
- **Hand:** Regularly furnished right hand
- **Rekeying:** Plug removal access hole added to shank of handle to allow for removal of plug assembly for rekeying purposes. To remove plug, insert key and rotate 90 degrees. Insert small tool (e.g., paper clip) in access hole and depress retainer while pulling key and plug out of handle.



15766



# Sliding Door Locks



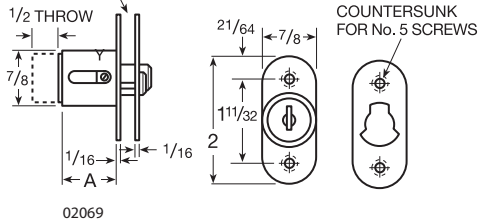
02069  
Finish: US26D



02069  
Finish: US4



GAP BETWEEN PLATE AND STRIKE CAN VARY FROM 1/16" TO 1/4"



02069

## 02069 Push & Turn Sliding Door Lock

DISC TUMBLER Can be Masterkeyed

Part#	Length	Keyed	Finish	MFT PT #	Stock Quantity	Boxed Weight lbs/oz	MSRP
-------	--------	-------	--------	----------	----------------	---------------------	------

**Stock Items 48 Hour Shipping:**

02069	7/8"	KD	US4	02699	25	5/10	\$16.80
02069	7/8"	KA CAT30	US4	02703	25	5/10	\$16.80

**Made-to-Order Items:**

02069	7/8"		US4				\$18.90
02069	7/8"		US26D				\$18.90
02069	1-3/8"		US4		250 minimum		\$18.90
02069	1-3/8"		US26D		250 minimum		\$18.90
02069K	7/8"		US4				\$18.90
02069K	7/8"		US26D				\$18.90
02069K	1-3/8"		US4		250 minimum		\$18.90
02069K	1-3/8"		US26D		250 minimum		\$18.90

Master Keying Charge

\$4.41

## 02290 Sliding Door Lock

PIN TUMBLER Can be Masterkeyed

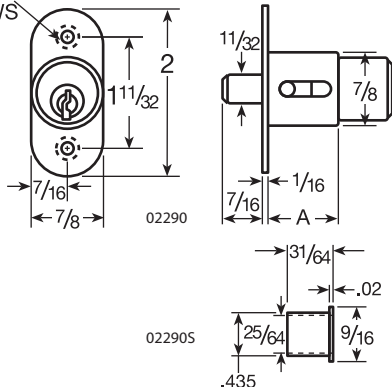


02290  
Finish: US4



022905

C'SUNK FOR No. 5 SCREWS



02290

022905

Part#	Length	Keyed	Finish	MFT PT #	Stock Quantity	Boxed Weight lbs/oz	MSRP
-------	--------	-------	--------	----------	----------------	---------------------	------

**Made-to-Order Items:**

02290	7/8"	R1	US4				\$42.00
02290	7/8"		US26		249 Minimum		\$42.00
02290	7/8"	R1	US26D				\$42.00
022905	BRASS CUP STRIKE			233F522			\$1.84

Master Keying Charge

\$4.41

- Keyways Available: R1
- **Material:** All Brass
- **Operation:** Push bolt type. To lock, push end of cylinder. To unlock, use key. As regularly furnished, key is removable in locked or unlocked position. Strike: No. 022905, brass, US4 only, regularly furnished

# Sliding Door Locks

## 02291 Sliding Door Lock PIN TUMBLER Can be Masterkeyed Compares to Olympus 400SD

Part#	Length	Keyed	Finish	MFT PT #	Stock Quantity	Boxed Weight lbs/oz	MSRP
<b>Stock Items 48 Hour Shipping:</b>							
02291	7/8"	KD R1	US4	00185	10	3/2	\$44.10
02291	7/8"	KA 4T37526	US4	02652	10	3/2	\$44.10
02291	7/8"	KA4R64264	US4	00186	10	3/2	\$44.10
02291	7/8"	KA 4T37526	US26D	02667	10	3/2	\$44.10
<b>Made-to-Order Items:</b>							
02291	7/8"		US4		10	3/2	\$46.20
02291	7/8"		US26D		10	3/2	\$46.20
02291A	7/8"		US4		10	3/2	\$46.20
Master Keying Charge							\$4.41

### 02291

- **Keyways Available:** R1 & CR
- **Material:** All Brass
- **Operation:** Push bolt type.  
To lock, push end of cylinder. To unlock, use key.

### 02291A

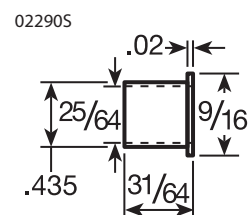
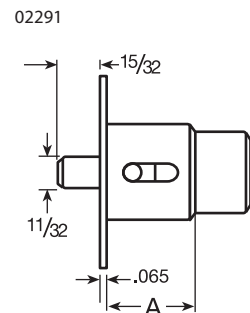
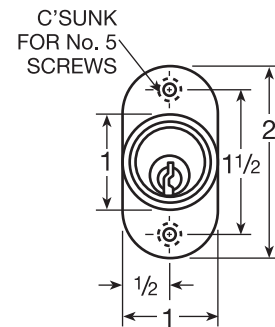
- **Keyways Available:** R1 & CR
- **Material:** All Brass
- **Operation:** Push bolt type.  
Key is used to both lock and unlock the mechanism
- **Strike:** No.02290S, brass,
- US4 only, regularly furnished



02291  
Finish: US26D



02291  
Finish: US4

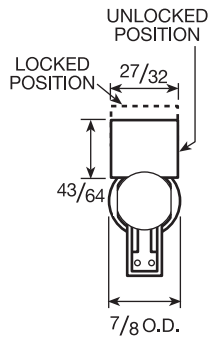
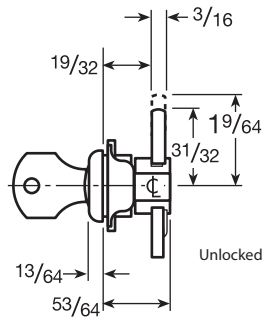
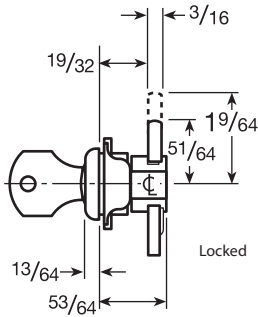


# Special Purpose

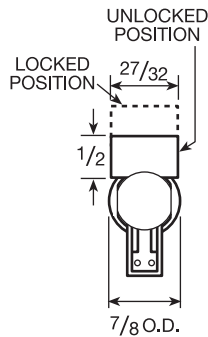
## 2060 Series Special Purpose Locks DISC TUMBLER with Spring-In Bolt



2060N



S2060GF



S2060C

Part#	Length	Keyed	Finish	MFT PT #	Stock Quantity	Boxed Weight lbs/oz	MSRP
-------	--------	-------	--------	----------	----------------	---------------------	------

**Stock Items 48 Hour Shipping:**

<b>S2060NC</b>		KD	US26D	<b>02666</b>	25	3/12	\$12.65
<b>S2060NC</b>		KA CAT 30	US26D	<b>02663</b>	25	3/12	\$12.65

**Made-to-Order Items:**

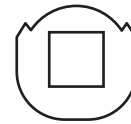
<b>2060C</b>	CAT ONLY		US26D				\$12.18
<b>2060N</b>	CAT ONLY		US26D				\$9.88
<b>S2060C</b>	CAT ONLY		US26D				\$10.15
<b>S2060GF</b>	CAT ONLY		US26D				\$13.41
<b>S2060N</b>	CAT ONLY		US26D				\$10.15

Master Keying Charge

\$4.41

## Miscellaneous Items

Part#	Length	Keyed	Master Keyed	Finish	MFT PT #	Stock Quantity	Boxed Weight lbs/oz	MSRP
<b>Made-to-Order Items:</b>								
02069S								\$2.21
02290S	Brass Cup Strike				233F522			\$1.84
90°	Stop Cam			US2G	108F5580002G			\$1.31
180°	Stop Cam			US2G	121F4280002G			\$1.38
	Plug Lockwasher			US2G	218F908			\$1.31
	Pronged Washer (Pin Tumbler Locks)				253F2680002G			\$1.31
	Pronged Washer For Disc Tumbler (2 Flats)				230F2480002G			\$1.44
	Internal Tooth Lockwasher				236F458			\$0.63
	Mounting Clip (For 15867&15868 Panel)				199F838			\$1.31
	Mounting Clip For Cam Locks				099F268			\$1.38
	Plug Nut				096F40200014			\$1.31
	Collar Ring			US4	231F5580004			\$1.31
	Collar Ring			US26D	52301A			\$1.31
	Cylinder Lock Washer				253F0980002G			\$1.31
	Cylinder Spacer Washer				271F138			\$1.31
	Cylinder Nut				407F718000DICH			\$1.31
	3 Point Cam RH (15766 Tee Handle)				262F7980002G			\$4.15
	3 Point Cam LH (15766 Tee Handle)				262F8080002G			\$4.15
	Tumbler Spring				026F757			\$16.28



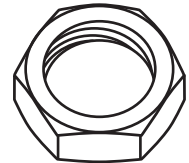
Stop Cam 108F558  
For 90° throw of cam.



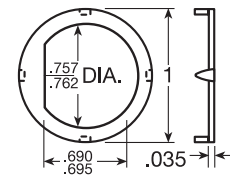
Stop Cam 121F428  
For 180° throw of cam.



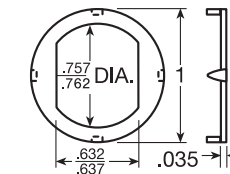
096F402 Plug Nut  
(Disc and Pin Tumbler)



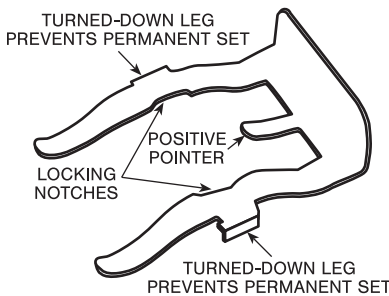
407F78 Cylinder Nut  
(Disc and Pin Tumbler)  
3/4 - 24NC - 2



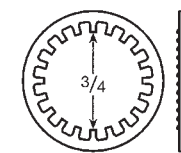
Pronged Washer 253F2680002G  
Pin tumbler for single flat



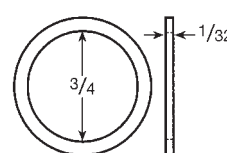
Pronged Washer 230F2480002G  
For use with disc tumbler camlocks.



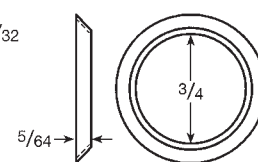
Mounting Clip for  
Cam Locks 099F268



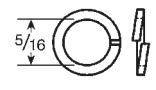
253F09  
Cylinder Lock Washer



271F138  
Cylinder Spacer Washer



231F558  
Collar Ring



218F90  
Plug Lock Washer

### Mounting Clip:

- Made of tempered spring steel. Locks and snaps into place with an assuring click. An exclusive design holds clip securely in place; notches on clip engage notches on cylinder. For 18, 20, and 22 gauge metal. Available for:
  - 2060C
  - C15751
  - S2060NC
  - C15258
  - S2060GF
  - C15259

### Washers:

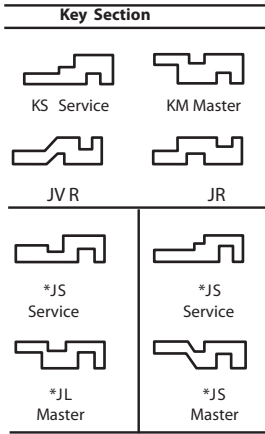
- For use under nut on wood application to prevent cylinder from turning. 100 per box.



# Accessories



936-KB-5PIN

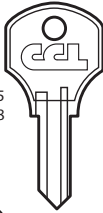


\*Only key blanks available

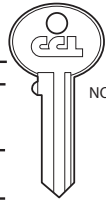
Key Section	Key Blank Number
	4193C -AR
	4193C -BR 4195C -BR
	4193C -BL
	4193C -WR
	4193C -WL
	8632C -CR (4 Pin) 8618C -CR (5 Pin) 8687C -CR (6 Pin)
	8632C -R1 (4 Pin) 8618C -R1 (5 Pin) 8687C -R1 (6 Pin)
	8618C -R4 (5 Pin)



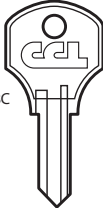
NO. 5860  
NO. 5861



NO. 5865  
NO. 8658



NO. 4193C



NO. 8618C



NO. 58690  
AVAILABLE IN  
CR only  
(GR available  
with special  
order)



## Disc Tumbler Key Blanks

Part#	Length	MFT PT #	Stock Qty	MSRP
<b>Stock Items 48 Hour Shipping:</b>				
5860KM	M7000 Series MK5 DISC	263K282517		\$0.74
5860KS	FAB Series M7000 5 DISC	00643		\$0.74
5861KM	M8000 Series MK 5 DISC	02710		\$0.74
5861KS	GEK Series M8000 5 DISC	00644		\$0.74
5865JL	5 DISC	414K332511		\$0.79
5865JR	BGM 5 DISC	00645		\$0.74
5865JVL	MK Blank 5 DISC	03147		\$0.74
5865JVR	5865JVR 5 DISC	00646		\$0.74
C622-KEYBLANKS	5 Disc	C622-KEYBLANKS		\$0.74

## Pin Tumbler Key Blanks

Part#	Length	MFT PT #	Stock Qty	MSRP
<b>Stock Items 48 Hour Shipping:</b>				
430-KB-4PIN-M2 (430 series)	4 Pin		50	\$0.74
430-KB-4PIN-M1 (420/430 series)	4 Pin		50	\$0.84
420-KB-5PIN-M16 (420 series)	5 Pin		50	\$0.84
936-KB-5PIN-A700 (936/937/900/500 series)	5 Pin		50	\$0.84
936-KB-6PIN-A700 (936/937/900/500 series)	6 Pin		50	\$1.05
4193C-AR	5 Pin (2A)	00641	50	\$0.89
4193C-BR	5 Pin	242K252503		\$0.89
4193C-WR	5 Pin	242K252532		\$0.89
5862C-R1	3 Pin	230K322519		\$0.89
5862C-CR	3 Pin	230K322505		\$1.05
8618C-CR	5 Pin (4R B4R)	00651	50	\$1.05
8618C-R1	5 Pin (4T)	00652	50	\$0.84
8618C-CL	5 Pin	230K332504		\$0.84
8618C-R3	5 Pin	230K332521		\$1.05
8618C-R4	5 Pin	230K332522		\$0.89
8618C-R12	5 Pin	230K332523		\$0.89
8618C-R14	(47T & MK)	00653	50	\$0.89
8618C-VR	5 Pin	230K332530		\$0.84
8632C-CR	4 Pin	00654	50	\$0.89
8632C-R1	4 Pin	230K342519		\$0.84
8632C-CL	4 Pin	230K342504		\$0.89
8687C-CR	6 Pin	00658	50	\$0.89
8687C-R1	6 Pin	00659	50	\$0.95
8687C-R14	6 Pin	230K352525		\$0.95
58690-CR	5 Pin	238K064505		\$0.95
58690-GR	5 Pin	238K064508		\$2.89
58690-R1	5 Pin - LIMITED QUANTITIES	238K064519		\$2.89
58690-VR	5 Pin	238K064530		\$2.89
S1-26-3	3 Pin - LIMITED QUANTITIES			\$1.05
Service Key (Extra) Pin Tumbler Purchased w/ Lock				
Service Key (Extra) Pin Tumbler Purchased w/o Lock				
#2 Key		238K064505CUT		\$5.15
<b>Made-to-Order Items:</b>				
R4266	LONG KEY 3-9/32" (Skeleton key)	02613	25	\$6.25
R4266	LONG KEY 3-9/32" (Skeleton key)	313F162		\$6.25
R4277	SHORT KEY 2-25/64" (Skeleton key)	02614	25	\$6.25
R4277	SHORT KEY 2-25/64" (Skeleton key)	313F142		\$6.25

## Strikes

Part#	Length	Keyed	Master Keyed	Finish	MFT PT #	Stock Quantity	Boxed Weight lbs/oz	MSRP
<b>Stock Items 48 Hour Shipping:</b>								
75				US4	00082	25	0/4	\$1.84
125				US4	00083	25	0/4	\$1.84
215				US4	201F112			\$1.84
265				US4	016F542			\$1.84
495				US4	265F912			\$1.84
525				US4	113F872			\$1.84
695				US4	00102	25	0/8	\$1.84
1005				US4	045F922			\$1.84
2540				US4	00196	25	1/4	\$1.84



## Miscellaneous Keying Kits & Cut Keys

Stock Items 48 Hour Shipping:	MFT PT #	MSRP
OLYMP-1 Pin Tumbler (NOT 906)	03153	\$210.00
KK125 Disc Tumbler Keying Kit	00569	\$120.75
KK420 Laminated Rekeyable Pinning Service Kit		\$440.00

### OLYMP-1 Pin Tumbler Keying Kit Contents:

- Service Tumblers
- Master Tumblers
- Cams
- Lock Retainers
- Cylinder Nuts
- Pronged Washers
- Escutcheons
- Plug Nuts
- Stop Cams
- Tumbler Springs
- Lock Washers



### KK125 Disc Tumbler Keying Kit Contents:

- For rekeying CCL's "4T", "B4R", and "4R" type bitting requiring .095 diameter pins, and "OLYMPUS" D4219 keyway in .101 diameter pins. NOTE: CCL's "4T" and "B4R" have the same bitting.
- 100 Bottom Pins, size 0-8 ("4R" type)
  - 100 Bottom Pins, size 0-9 ("B4R" type)
  - 100 Bottom Pins, size 0-9 (D4219 Keyway)
  - 100 Master Pins, size 2-9 ("4R" & "B4R" type)
  - 100 Master Pins, size 2-7 (D4219 Keyway)
  - 100 Top Pins, size 0 & 5 ("4R" type)
  - 100 Top Pins, size 1-4 (D4219 Keyway)
  - 100 Tumbler Springs .095 diameter
  - 100 Tumbler Springs .101 diameter
  - 1 Tweezer • 1 Follower

### KK420 Laminated Rekeyable Pinning Service Kit Contents:

Brass Bottom Pin #3 Part #: KK420-BB-P3 Picture: 100PCS 20160000311	Brass Bottom Pin #1 Part #: KK420-BB-P1 Picture: 100PCS 20160000312	Brass Bottom Pin #2 Part #: KK420-BB-P2 Picture: 100PCS 20160000313	Brass Bottom Pin #3 Part #: KK420-BB-P3 Picture: 100PCS 20160000314	Brass Bottom Pin #4 Part #: KK420-BB-P4 Picture: 100PCS 20160000315	Brass Bottom Pin #5 Part #: KK420-BB-P5 Picture: 100PCS 20160000316	Brass Bottom Pin #6 Part #: KK420-BB-P6 Picture: 100PCS 20160000317	Brass Bottom Pin #7 Part #: KK420-BB-P7 Picture: 100PCS 20160000318
Steel Bottom Pin #0 Part #: KK420-SB-P0 Picture: 100PCS 20160000320	Steel Bottom Pin #1 Part #: KK420-SB-P1 Picture: 100PCS 20160000321	Steel Bottom Pin #2 Part #: KK420-SB-P2 Picture: 100PCS 20160000322	Steel Bottom Pin #3 Part #: KK420-SB-P3 Picture: 100PCS 20160000323	Steel Bottom Pin #4 Part #: KK420-SB-P4 Picture: 100PCS 20160000324	Steel Bottom Pin #5 Part #: KK420-SB-P5 Picture: 100PCS 20160000325	Steel Bottom Pin #6 Part #: KK420-SB-P6 Picture: 100PCS 20160000326	Steel Bottom Pin #7 Part #: KK420-SB-P7 Picture: 100PCS 20160000327
Steel Top Pin Part #: KK420-STP Picture: 100PCS 20150000063	Mushroom Pin Part #: KK420-MP Picture: 100PCS 20150000030	Anti-Jumping Pin Part #: KK420-AJP Picture: 100PCS 201600000287	Tumbler Spring Part #: KK420-TSPRING Picture: 100PCS 201000000003	C Clip Part #: KK420-CClip Picture: 20PCS 205100810001	Bottom Plate Nut Part #: KK420-SPLATENUT Picture: 10PCS 202100000019	Bottom Plate Screw Part #: KK420-SPLATESCR Picture: 10PCS 202000000154	Bottom Plate Part #: KK420-SPLATE Picture: 10PCS 202800000095
W27 Keyway Cylinder Plug Part #: KK420-CYLPLUG-W27 Picture: 10PCS 20	W27 5 Pin Keypad Part #: KK420-5B-PIN-H16 Picture: 10PCS 20	H1 Keyway Cylinder Plug Part #: KK420-CYLPLUG-H1 Picture: 10PCS 2003000600056	H1 4 Pin Keypad Part #: KK420-4B-PIN-H1 Picture: 10PCS 2005000600027	Cylinder Housing Part #: KK420-CYLHOU Picture: 18PCS 202400060023	Seal - 422 Part #: KK420-SEAL422 Picture: 26PCS 208400000029	Seal - 423 Part #: KK420-SEAL423 Picture: 20PCS 208400000023	Repin Gauge Set Part #: KK420-GRS Picture: 1 PCS PK001 1 PCS PK002 1 PCS PK003
							T Shape Tool Part #: KK420-TST Picture: 1 PCS 20

## M8003 Master Key

Stock Items 48 Hour Shipping:	MFT PT #	MSRP
8658JR 6 DISC	00655	\$0.74
8658JVL 6 DISC	00656	\$0.74
8658JVR AUE 6 DISC	00657	\$0.74
Service Key (Extras) Disc Tumbler (Cut Key with Locks) Purchased with Locks		\$1.79
M8003 Master Key (DISC) Key	02838	\$4.57



## Parts for Disc Tumblers

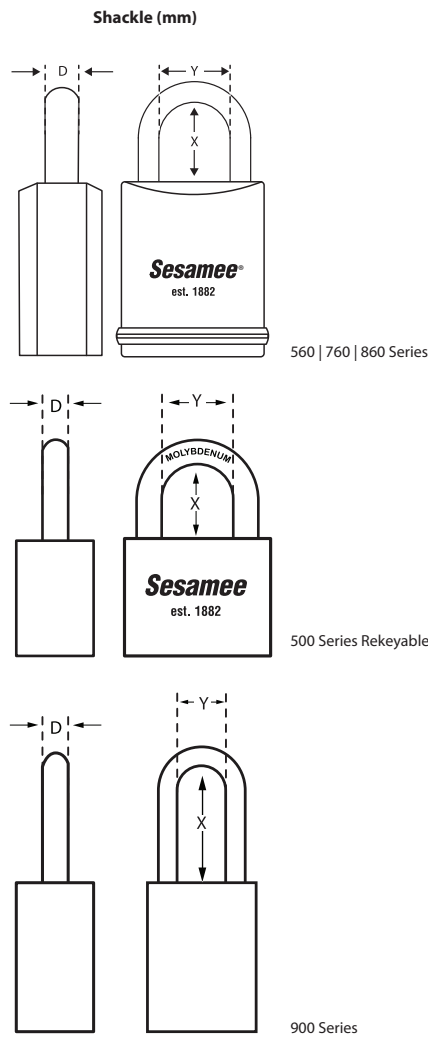
Part#	Description
#0 thru #2	Service Disc
#0-1 thru #2-1 Keying KT	Master Disc
C-2065	Spring for Disc Tumblers

\* Only supplied in quantities of 100

## Parts for Pin Tumblers

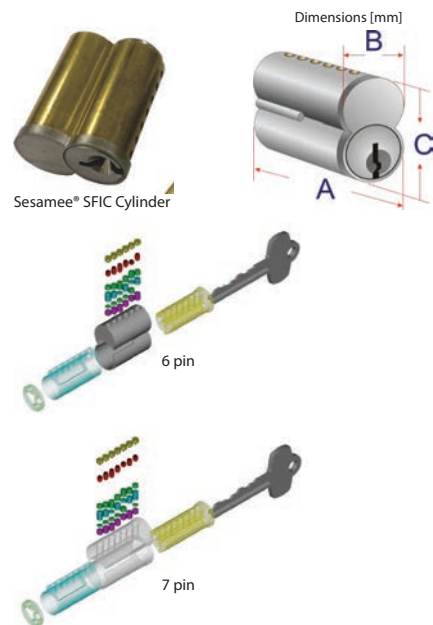
Part#	Description	Part#	Description
#0 thru #8	Ball End Pin Tumbler for "4R" type Bitting	026F757	Tumbler Spring
#2 thru #8	Master Pin Tumbler for "4R" type Bitting	0665 - 3/4"	Cylinder Slide
#0 thru #9	Ball End Pin Tumbler for "4T" & "B4R" type Bitting	0665 - 7/8"	Cylinder Slide
#2 thru #9	Ball End Pin Tumbler for "4T" & "B4R" type Bitting	0665 - 1-1/16"	Cylinder Slide
#0 thru #5	Driver for "4T", "B4R", "4R" type Bitting		

# Accessories



## Replacement Shackles

Suitable for Padlock	D	X	Y	Part#	Material	Finish	MSRP
<b>560   760   860 Series</b>							
IC Alloy Shackle	5/16"	3/4"	3/4"	<b>99510</b>	Moly	Chrome	\$5.50
IC Alloy Shackle	5/16"	1"	3/4"	<b>99511</b>	Moly	Chrome	\$6.60
IC Alloy Shackle	5/16"	1-1/2"	3/4"	<b>99512</b>	Moly	Chrome	\$7.70
IC Alloy Shackle	5/16"	2"	3/4"	<b>99513</b>	Moly	Chrome	\$8.80
IC Alloy Shackle	5/16"	3"	3/4"	<b>99514</b>	Moly	Chrome	\$9.90
IC Alloy Shackle	5/16"	4"	3/4"	<b>99515</b>	Moly	Chrome	\$11.00
IC Brass Shackle	5/16"	3/4"	3/4"	<b>99520</b>	Brass	Brass	\$6.05
IC Brass Shackle	5/16"	1"	3/4"	<b>99521</b>	Brass	Brass	\$7.15
IC Brass Shackle	5/16"	1-1/2"	3/4"	<b>99522</b>	Brass	Brass	\$8.25
IC Brass Shackle	5/16"	2"	3/4"	<b>99523</b>	Brass	Brass	\$9.35
IC Brass Shackle	5/16"	3"	3/4"	<b>99524</b>	Brass	Brass	\$10.45
IC Brass Shackle	5/16"	4"	3/4"	<b>99525</b>	Brass	Brass	\$11.55
IC Stainless Steel Shackle	5/16"	3/4"	3/4"	<b>99530</b>	Stainless	Stainless	\$6.05
IC Stainless Steel Shackle	5/16"	1"	3/4"	<b>99531</b>	Stainless	Stainless	\$7.15
IC Stainless Steel Shackle	5/16"	1-1/2"	3/4"	<b>99532</b>	Stainless	Stainless	\$8.25
IC Stainless Steel Shackle	5/16"	2"	3/4"	<b>99533</b>	Stainless	Stainless	\$9.35
IC Stainless Steel Shackle	5/16"	3"	3/4"	<b>99534</b>	Stainless	Stainless	\$10.45
IC Stainless Steel Shackle	5/16"	4"	3/4"	<b>99535</b>	Stainless	Stainless	\$11.55
<b>500   900 Series</b>							
IC Alloy Shackle	1/4"	3/4"	3/4"	<b>99410</b>	Moly	Chrome	\$5.23
IC Alloy Shackle	1/4"	1"	3/4"	<b>99411</b>	Moly	Chrome	\$6.33
IC Alloy Shackle	1/4"	1-1/2"	3/4"	<b>99412</b>	Moly	Chrome	\$7.43
IC Alloy Shackle	1/4"	2"	3/4"	<b>99413</b>	Moly	Chrome	\$8.53
IC Alloy Shackle	1/4"	3"	3/4"	<b>99414</b>	Moly	Chrome	\$9.63
IC Alloy Shackle	1/4"	4"	3/4"	<b>99415</b>	Moly	Chrome	\$10.73
<b>93609, 93610, 93611, 93709, 93710, 93711</b>				<b>stock qty:</b>			
99936-IC	7/16"	1"	3/4"	10 pcs	Moly	Chrome	\$10.50
99937-IC	7/16"	2"	3/4"	10 pcs	Moly	Chrome	\$11.00



## SFIC Cores

CCL Model #	Finish	Dimensions [mm]			Keyway	Shelf Pack	Master Pack	MSRP
		A	B	C				
<b>SSIC-6 Pin</b>								
SFIC6-UC(kwy)	US4, 26D	27.2	14.1	24.3	*see below	6	36	\$18.90
SFIC6-C(kwy)	US4, 26D	27.2	14.1	24.3	*see below	6	36	\$39.90
<b>SSIC-7 Pin</b>								
SFIC7-UC(kwy)	US4, 26D	30.8	14.1	24.3	*see below	6	36	\$19.43
SFIC7-C(kwy)	US4, 26D	30.8	14.1	24.3	*see below	6	36	\$40.95
<b>Key Blank</b>								
SFIC-KB	Big Clover Brass Key Blank with Nickel Plating for SSIC-6 and SSIC-7				100		1,000	\$2.10

Note: UC means "uncombined", without pinning and without key.

\* The keyway is available for A, B, C, D, E, F, G, H, J, K, L, M, Q, 1C, 1D, KMT300, N, DD keyways.

\* Must specify Key Way to left when ordering →

- Brass cylinder
- High quality plating with US26D or US4
- Each combined cylinder comes with 3 keys:
  - 2 keys for opening the lock
  - 1 control key for taking off the core
- **Money Saving:** With this IC Core System, only the core needs replacing instead of a whole new lock.
- **Easy to Manage:** Interchangeable cores provide versatility, allowing each key holder to use their own core.

Keyway No	Description	Keyway No	Description
A	Best Lock A Keyway	J	Best Lock J Keyway
B	Best Lock B Keyway	K	Best Lock K Keyway
C	Best Lock C Keyway	L	Best Lock L Keyway
D	Best Lock D Keyway	M	Best Lock M Keyway
E	Best Lock E Keyway	Q	Best Lock Q Keyway
F	Best Lock F Keyway	1C	Best Lock 1C Keyway
G	Best Lock G Keyway	1D	Best Lock 1D Keyway
H	Best Lock H Keyway	T300	Best Lock KMT300 Keyway

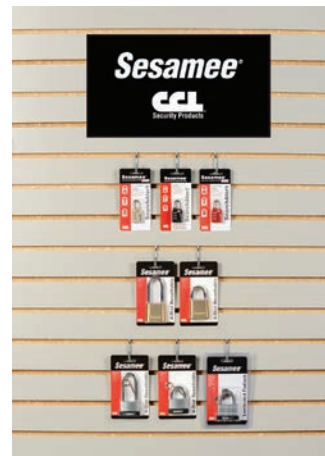
## DISPLAYS Mailbox & Cam | Small Format IC Core 72 Series Locks

Part#	Display Contents (Lock Part Number)	MSRP
<b>Mailbox &amp; Cam Lock:</b>		
03402	82010, 82011, 82013, 82014, 65008, 65007, 62214, 62217, 59020, 59021, 39053, 39023	\$732.90
<b>Small Format IC Core 72 Series:</b>		
03405	72412, 72421, 72724, 72938, 72357, 72012	\$236.25

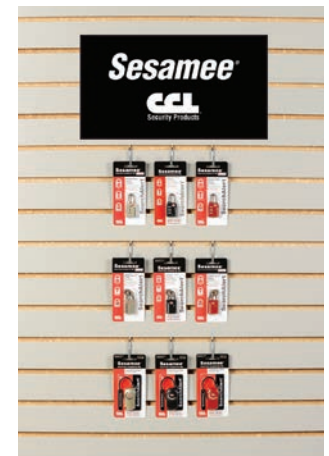


## Plan-O-Grams

Includes Part#	Description	Qty	Total
<b>#1 Hot Selling Products (Part # 03420)</b>			<b>\$131.25</b>
K436	4-Dial Brass Resetable 1"	1	\$24.68
K437	4-Dial Brass Resetable 2-1/4"	1	\$26.25
K436L	4-Dial Laminated Resetable 1"	1	\$15.23
K437L	4-Dial Laminated Resetable 2-1/4"	1	\$16.28
K43320	2" Wide Laminated M1 w/ 1"	1	\$15.75
74703	Black 3-Dial Combination TSA w/Searchalert	1	\$11.03
74706	Pewter 3-Dial Combination TSA w/Searchalert	1	\$11.03
74710	Red 3-Dial Combination TSA w/Searchalert	1	\$11.03
03415	Header Sign with Sesamee by CCL Security	1	\$0.00
<b>#2 Travel Lock Assortment (Part # 03421)</b>			<b>\$121.24</b>
74703	Black 3-Dial Combination TSA w/Searchalert	1	\$11.03
74706	Pewter 3-Dial Combination TSA w/Searchalert	1	\$11.03
74710	Red 3-Dial Combination TSA w/Searchalert	1	\$11.03
94503	Black Keyed TSA w/Searchalert	1	\$9.44
94506	Pewter Keyed TSA w/Searchalert	1	\$9.44
94510	Red Keyed TSA w/Searchalert	1	\$9.44
94703	Black Cable Keycard TSA w/Searchalert	1	\$19.95
94706	Pewter Cable Keycard TSA w/Searchalert	1	\$19.95
94710	Red Cable Keycard TSA w/Searchalert	1	\$19.95
03415	Header Sign with Sesamee by CCL Security	1	\$0.00
<b>#3 Weather Covered Lock Assortment (Part # 03422)</b>			<b>\$81.84</b>
K45110	Black Weather Covered Laminated w/Slider M1	1	\$13.64
K45110-Red	Red Weather Covered Laminated w/Slider M1	1	\$13.64
K45110-Blue	Blue Weather Covered Laminated w/Slider M1	1	\$13.64
K45110-Green	Green Weather Covered Laminated w/Slider M1	1	\$13.64
K45110-Yellow	Yellow Weather Covered Laminated w/Slider M1	1	\$13.64
K45110-Orange	Orange Weather Covered Laminated w/Slider M1	1	\$13.64
K45110-Silver	Silver Weather Covered Laminated w/Slider M1	1	\$13.64
03415	Header Sign with Sesamee by CCL Security	1	\$0.00
<b>#4 Laminated Lock Assortment (Part # 03423)</b>			<b>\$47.23</b>
K43000	Laminated 1-1/8" Body 9/16" Shackle M1	1	\$8.39
K43110	Laminated 1-1/2" Body 3/4" Shackle M1	1	\$10.49
K43220	Laminated 1-3/4" Body 1" Shackle M1	1	\$12.60
K43320	Laminated 2" Body 1" Shackle M1	1	\$15.75
03415	Header Sign with Sesamee by CCL Security	1	\$0.00



#1 Hot Selling Products



#2 Travel Lock Assortment



#3 Weather Covered Lock Assortment



#4 Laminated Lock Assortment

## Sesamee | CCL Header Card

Part#	Works with	MSRP
03415	Plan-O-Grams	\$21.00



03415



# Index

Laminated Padlocks	Part or MFGPT #	Page
430 Series Laminated Padlocks	K43000 – 43355	4-5
450 Series Weather Covered Padlocks	45010 – 45141	6
<b>Rekeyable Padlocks</b>		
420 Series ReKeyable Padlocks	42210 – 42356	7
Brass Rekeyable Door Compatible Lock	83451-W/O – 83501-KWIK	8
Replacement Shackles	560-760-860-83/45	8
66   66R   66KR Padlocks Disc Tumbler Rekeyable	00094 – 00100	9
500 Series Steel Rekeyable	52110 – 53315	10-11
500 Series Brass Rekeyable	55110 – 53345	12-13
<b>Safety Lockout Padlocks</b>		
900 Series Aluminum Safety Lockout Padlocks	90111 – 90359	14-15
910 Series Thermoplastic Safety Lockout Padlocks	91120 – 91129	16
Safety Lockout Hasp	CCL90, CCL902	17
<b>IC Padlocks</b>		
560 Series 1-3/4" LFIC Schlage®	56010 – 58014	18
562 Series 1-3/4" LFIC Sargent®	56210 – 58214	19
564 Series 1-3/4" LFIC Corbin®	56410 – 58414	20
760 Series 1-3/4" SFIC	76010 – 78015	21
860 Series KIK	86010 – 86114	22
840 Series 1-3/4" KIK Brass	84010 – 84014	22
880 Series 2" KIK Brass	88010 – 88015	22
<b>Storage Locks</b>		
960 Storage Security Padlocks	96006 – 96009	23
<b>Pin Tumbler Padlocks</b>		
600 Series Padlocks	60201 – 60508	24
904 Padlocks	904 – 904H	25
906 Padlocks	906 – 0906L	26
95 Padlocks	95	26
<b>Resettable Padlocks</b>		
4-Dial Resettable Brass Body with Brass Internal Parts	K436 - K440	27
4-Dial Resettable Diecast with Brass Internal Parts	K500 3/4, K500 2-1/4	27
3-Dial Resettable Diecast	AB410	28
4-Dial Heavy Duty Super Sesamee®	K636, K637, K646	28
4-Dial Resettable Front Faced Diecast	K2620, K2621	28
436L • 437L Resettable Combination Laminated Padlocks	436L, K436L, 437L, K437L	29
165 Series Combination Padlocks	16520, 16530, 16540	29
Traditional Combination Padlocks	K1450 – K4400	30
<b>Heavy Duty Padlocks &amp; Discus</b>		
Hidden Shackle 5-Pin	930-0-BITTED-Z – 930Dial	31
Round Body Hardened Steel – Keyed or SFIC, KIK, LFIC	93601 – 93711	32
100 Series Discus Padlock	10010 – 10020	33
K410D Series Rotary Dial Combination Padlocks	K410D	33
<b>TSA Travel Locks</b>		
SearchAlert® Heavy Duty Shackle	K6430	34
SearchAlert® Looped Shackle Case Heavy Duty	K6435	34
SearchAlert® 747 Series Padlocks	74701 – 74713	35
SearchAlert® Keyed	94503, 94506, 94510	36
SearchAlert® 4-Dial Lock	K8470, B8470	36
SearchAlert® 947 Series Lock	94703, 94706, 94710	37
SearchAlert® Combination TSA Accepted Non-Indicator	50003 – 50010	37
SearchAlert® Cable Lock with Indicator	75003, 75006, 75010	38
Easy Open SearchAlert® 751 Series Cable Lock with Indicator	75103, 75106, 75110	38
Big Tag® Durable Identification Tags	BT80190 – BT80790	39
Prestoseals	61900, 61901, 61902	39

<b>Cam Locks</b>			
15258   15259 Cam Lock With Spun-On Cam	15258 – AC15259	40	
15295D Cam Lock	15295D – S16597	41	
15748 & 15749 Cam Lock	15748 – 15749	42	
15751   15752   15753 Cam Lock	B15751 – 15753	43	
15760 Cam Lock	B15760 – C15751	44	
15783 Cam Lock Lazy Cam Function	15783, 205 – 210 Cams	45	
Bulk Items for 15751   15752   15760 Cam Locks		45	
C-510-XS   C-510-S   C-510-M   C-510-L Die Cast Tubular Cam Lock	BDB510XS – BDB510L	46	
C520L Die Cast Brass Tubular Cam Lock	C520L	47	
C1091A Miniature Cam Lock Package	C1091A	48	
Miniature Wing Handles and Miniature Slot Locks	DSL3091 – DSL3092	48	
CK2113   CK3113   CK4113 Rotary Combination Cam Lock	CK2113CD – CK4113CA	49	
390XX Series Dial Combination Cam Lock	39051 – 39053, 39021 – 39023	50	
59020   59021   59022 Padlockable Cam Lock	59020 – 59022	50	
Straight Cams for Padlockable Cam Lock	S58 – S225	51	
<b>RAPIDCAM™ Spring Bolt Cam Adapter</b>	RAPIDCAM 315, 350	51	
Offset Cams for Padlockable Cam Lock	F100-25 – F178-50	51	
Cams – Bent   Straight   Offset   Hook	15714 – 15751ED	52	
Weather Resistant Cam Lock	WRC-62200 – WRC-62217	53	
82010   82011   82013   82014   MBL820-3950 Mailbox Lock	MBL82010 – MBL820-3950	54	
650   651 Series Cam Lock	65001 – 65110	55	
<b>Drawer Locks</b>			
0666   0666 1/2 Drawer Locks PIN TUMBLER	0666 – 0666 1/2, 1005	56	
0738 Drawer Lock PIN TUMBLER	0738, 2540 Strike	56	
02063 Drawer Locks PIN TUMBLER	02063 – 02063A	57	
02065   02065 1/2 Drawer Locks DISC TUMBLER 7/8"	02065 – 02065 1/2, 265	57	
02066 Drawer Locks DISC TUMBLER	02066 – 02066B, 2" Bolt	58	
02068   02068 1/2 Drawer Locks DISC TUMBLER	02068 – 02068 1/2	59	
<b>Cabinet Locks</b>			
0737 Cabinet Lock PIN TUMBLER	0737, 2540 Strike	60	
02067 Cabinet Lock DISC TUMBLER	02067, 7S Strike	60	
Electronic Cabinet Lock	E901RSS, E901R1S, E901VSS, E901V1S	61	
<b>Small Format Interchangeable Core (SFIC) &amp; Key-In-Knob Cabinet Locks</b>			
72 Series IC Core	72412 – 72012	62	
70 Series Key-in-Knob	70013 – 70938-ZERO	63	
<b>Draw Pull Catches</b>			
250   250W   641   642   643   794 Draw Pull Catch	250 – 5794, S250 Strike	64	
797   798   Draw Pull Catch	797 – 798	65	
2504 Flush Metal Catch	2504 – 2506D	65	
804   824 Draw Pull Catches w/Compression Springs	804 – 824, S641, S794 Strike	66	
834   834S   834U Draw Pull Catches w/Concealed Compression Springs	834, 834S Strike	66	
1771   1778 Multipurpose Suitcase Catches	1771 – 1778	67	
<b>Enclosure Locks</b>			
15481 Enclosure Lock	55481 – A15481, Dust Cover	68	
15767   15768   15867   15868 Enclosure (Panelboard)	15767 – 15868	69	
R357SGS Enclosure Lock	R357SGS – R4277	69	
<b>Handles</b>			
1000 Series Lever Handle DISC TUMBLER	1000 RH, 1000A RH, Spindle	70	
	1000AS, 1000B, 1000S	70	
	H1, H2 Cam, H3 Holding Plate	70	
	S14441, S14452, S14271	70	
1001 Series Tee Handle	1001 RH, 1001A RH, Spindle, 1001AS RH, 1001B RH, 1001S	71	
	H1 Cam, H2 Cam, H3 Holding Plate	71	
	S14441, S14452, S14271	71	



# Terms & Conditions

Handles (continued)	Part or MFGPT #	Page
3284   S14810 Pull Handle	3284, S14810	72
15766 3 Point Tee Handle	15766 RH, 15766, 3 Point Cam	73
<b>Sliding Door Locks</b>		
02069 Push & Turn DISC TUMBLER	02069, 02069K	74
02290 PIN TUMBLER	02290, 02290S	74
02291 PIN TUMBLER	02291, 02291A	75
<b>Special Purpose Locks</b>		
2060 Series DISC TUMBLER with Spring-In Bolt	S2060NC, 2060C, 2060N	76
	S2060C, S2060GF, S2060N	76
<b>Accessories</b>		
Miscellaneous Items	02069S, 02290S	77
	90° Stop Cam, 180° Stop Cam	77
	Plug Lockwasher	77
	Pronged Washer for Pin & Disc	77
	Internal Tooth Lockwasher	77
	Mounting Clips, Plug Nut	77
	Collar Rings	77
	Cylinder Lock & Spacer Washer	77
	Cylinder Nut	77
	3 Point Cam RH / LH	77
	Tumbler Spring	77
Disc Tumbler Key Blanks	5860KM, 5860KS, 5861KM	78
	5861KS, 5865JL, 5865JR	78
	5865JVL, 5865JVR	78
	430, 420, 950/500KB	78
Pin Tumbler Key Blanks	430-KB, 420-KB, 936-KB	78
	4193C-AR, 4193C-BR, 4193C-WR	78
	5862C-R1, 5862C-CR	78
	8618C-CR, 8618C-R1	78
	8618C-CL, 8618C-R3	78
	8618C-R4, 8618C-R12	78
	8618C-R14, 8618C-VR	78
	8632C-CR, 8632C-R1,	78
	8632C-R14, 58690-CR	78
	58690-GR, 58690-R1	78
	58690-VR, S1-26-3	78
	Service Key, #2 Key	78
	R4266, R4267	78
Strikes	7S, 12S, 21S, 26S, 49S, 52S	79
	69S, 100S, 2540	79
Miscellaneous Keying Kits & Cut Keys	OLYMP-1 Pin Tumbler	79
	KK125 Disc Tumbler Keying KT	79
	KK420 Laminated Rekeyable Pinning Service Kit	79
M8003 Master Key	8658JR, 8658JVL, 8658JVR	79
	Service Key, M8003 Master Key	79
Parts for Disc & Pin Tumblers		79
Replacement Shackles	For Series: 560   760   860   500   900	80
SFIC Cores	6-pin and 7-pin	80
<b>Displays</b>		
DISPLAY Mailbox & Cam Lock	03402	81
DISPLAY Small Format IC Core 72 Series	03405	81
Sesame   CCL Security Header Card	03415	81
Plan-O-Grams for Various Assortments		81

## ORDER SPECIFICATIONS

With our broad product range we hope to fill your needs with our product line. However, if specials are needed CCL Security can handle those requirements. There may be additional charges to cover the expense of producing these orders.

- Fax or email request for special quotations. 847-537-1881 or info@cclsecurity.com
- Specify keyed alike, keyed different or keyed different and master keyed when ordering. Specify finish.
- Specify key codes for keyed alike orders
- Authorized Distributors may order broken box or split case quantities but will be subject to a 10% convenience fee.

## KEYING CHARGES

- |                          |                    |
|--------------------------|--------------------|
| • Keyed Differently (KD) | No Charge          |
| • Keyed Alike (KA)       | No Charge          |
| • Masterkeyed            | \$4.41 MSRP / Lock |
| • Stamping               | \$3.15 / Lock      |

## DELIVERY & TERMS

Shipping Location: 301 West Hintz Road, Wheeling, IL 60090

- Net 30 days
- Prices are subject to change without notice
- Service Policy: In-Stock Items shipped 95% complete within 48 hours
- Minimum Annual Purchases for Distributor \$20,000
- Minimum Annual Purchases for Authorized Distributor \$50,000
- Minimum Annual Purchases for Gold Distributor \$100,000
- All Locks are to be ordered in either Shelf Pack and or Master Pack Quantities.

## FREIGHT POLICY

- Freight is prepaid on shipments of CCL Security Products with a total invoice value of \$2,000 for Distributors within the Continental US.
- Freight is prepaid on shipments of CCL Security Products with a total invoice value of \$1,000 (based on net prices) to a single destination within the contiguous United States or Canada for Authorized and Gold Distributors. \$500 for Luggage Dealers within the Continental US.

## MINIMUM ORDER

A convenience fee of \$15.00 will be added to all orders under \$50.00 net cost.

## RETURNS AND CANCELLATIONS:

No CCL product or part can be returned for credit unless written authorization has been given in advance.

Merchandise returned must be identified as to original date of purchase, purchase order number, and shipper's name and address.

Service and handling charge is 25% for stock and 40% for non-stock items, of net billing price, except in the case of defective parts.

Any freight paid by CCL will be deducted from the amount of credit issued, except in the case of defective parts.

Merchandise returned in unsaleable condition will not be acceptable.

The return of obsolete, discontinued, modified or special parts is not permissible.

CCL reserves the right to charge for all work completed or materials purchased when an order is cancelled or reduced prior to shipment, where special or modified parts are involved.

CCL reserves the right to assess an additional cancellation charge, other than the normal 25% handling charge, in the event the quantity cancelled is in excess of our normal stock requirements.

## Customer Service Hours:

Weekdays 8:00 a.m. to 4:30 p.m. Central Standard Time (C.S.T.). Orders may be faxed or emailed 24 hours a day. All orders received weekdays by 2:00 p.m. C.S.T. will be entered the same day.

## EDI

CCL Security Products is able to accept purchase orders, transmit invoices and Advance Ship Notices (ASN), and receive forecast and Point of Sale (POS) data via EDI.

## CLAIMS:

CCL will not be responsible for goods lost in transit. Purchaser is solely responsible for filing claims with the carrier for losses. Claims for shortages in shipment not chargeable to the carrier, must be reported within ten (10) days from receipt of merchandise.

## LIMITED WARRANTY AND EXCLUSIONS:

CCL strives to produce quality products at reasonable prices. If you are not satisfied with our product because of a defect, we will repair or replace the defective part or parts free of charge for a period of one year from the date of purchase. In the event you claim that the product contains a defect, simply notify CCL of the defect, and we will arrange for repair or replacement. The sole and exclusive remedy against CCL relating in any way to a product defect shall be the repair or replacement of defective parts as provided for under this LIMITED WARRANTY. No other remedy, including, but not limited to, incidental or consequential loss, is available.

This LIMITED WARRANTY shall not be deemed to have failed of its essential purpose so long as CCL is willing and able to repair or replace defective parts in the manner prescribed in this LIMITED WARRANTY.

Any action for breach relating to the sale of an CCL product must be commenced within one year after the cause of action has accrued. This LIMITED WARRANTY IS IN LIEU OF ANY OTHER WARRANTY, EXPRESS OR IMPLIED, AND ALL SUCH WARRANTIES ARE EXCLUDED, INCLUDING, BUT NOT LIMITED TO, ANY IMPLIED WARRANTY OF MERCHANTABILITY OR FITNESS FOR A PARTICULAR PURPOSE.

LOST COMBINATIONS ARE NOT COVERED BY WARRANTY.

©Copyright 2017 CCL Security Products, Inc.

# Product Catalog & Price List

Smart | Profitable | Exclusive

▶ *Now Keyed  
KIK and SFIC*



▶ *Now keyed  
KIK, SFIC & LFIC*



▶ *Laminated  
AND  
Rekeyable*



▶ *Easy to reset  
at any time*



▶ *Standard in  
Schlage C®  
keyway*



▶ *Universally-understood  
color improves security  
identification*



▶ *Uses the same, reliable  
SearchAlert® Feature  
with New packaging  
and a Lighter,  
Compact Design*



▶ *Uses a Keycard  
to open the  
flexible cable*

