

# **TRINE**

**ACCESS TECHNOLOGY®**

**REVOLUTIONARY DESIGNS  
TRANSFORMING THE INDUSTRY**



**AND IT'S JUST THE BEGINNING**

**2018 PRICEBOOK  
CATALOG**

Prices effective  
June 1, 2018  
Prices Subject to change  
without notice.

# Table of Contents

## The NEW Specialized Solutions Series

- 4100DBDL pg.4-5
- 3275VRP-LC pg. 6
- 3250SOM-LC “Strike-O-Matic™” pg.7



## Axion Premium Electric Strikes

- 4100 Series pg. 9-12
- 4200 Series pg. 13-17
- 4800 Series pg. 18-24
- EN Series pg. 24-31
- 3000 Series pg. 32-43



## Light Commercial Electric Strikes

- 00 Series pg. 44-46
  - 01 Series pg. 47
  - 2000 Series pg. 48-49
  - 1000 Series pg. 49
- Where it all began.**

## Accessories

- 4850ITL / ANSI ITL pg. 51
- Latchbolt Monitoring pg. 52
- Wireless Chimes pg. 53
- 017TDC-4/018-4 Series pg. 54
- Door Alarms/Switches pg. 55
- Chimes/Bells/Buzzers pg. 56
- Low V. Transformers pg. 57
- Pushbuttons pg. 58

## Other

- Glossary pg. 59
- Strike Selector pg. 60-61
- Conditions of Sale pg. 62
- Cross Reference pg. 63

## Whats New!!!

- 323478F-LC & 323478FX-LC - The Smallest Electric Strike in the world is now FIRE RATED
- 3250SOM-LC - “Strike-O-Matic™” - The smallest solution for use with the Door-O-Matic™.
- 3275VRP-LC -
- ANSI-ITL - now with an 2-3/4” installation tool - All-in-one ANSI prep installation tool.
- 41-4200-AK - replaces 4100-AK - now for both 4100 & 4200 electric strikes.

## Discontinued

- 478-ITL - Replaced by ANSI-ITL
- 4100-AK - Replaced by 41-4200-AK

**EFFECTIVE DATE || June 1<sup>st</sup>, 2018**

# SPECIALIZED SOLUTIONS

## ELECTRIC STRIKE SERIES

SOLUTIONS FOR UNIQUE INSTALLATIONS  
THAT ONLY WE CAN PROVIDE

**NEW!**

### 3250SOM-LC STRIKE-O-MATIC™

**THE  
DOOR-O-MATIC™  
SOLUTION**

THE SMALLEST ELECTRIC STRIKE  
IN THE WORLD...  
DOES IT AGAIN!



### 4100DBDL

**THE  
DEADBOLT  
SPLIT LATCH  
SOLUTION**

Provides emergency  
deadbolt override!

AND NIGHT LATCH FUNCTION FOR  
MORTISE LOCKS WITH DEADBOLTS

### 3275VRP

**THE VERTICAL  
ROD LATCH  
SOLUTION**

**&**



**SMALLEST RIM PANIC  
SOLUTION AVAILABLE**

# THE DEADBOLT SPLIT LATCH SOLUTION



## 4100DBDL

**SPECIALIZED SOLUTIONS**  
ELECTRIC STRIKE SERIES

The only electric strike with two locking mechanisms that function separately.



Designed for deadbolt **privacy**, allowing for an emergency **override**.

Can be used for a night-latch function as well (Leave the deadbolt latch un-powered).

**4 Faceplates included**

Great places the 4100DBDL can be used:



## Key Features:

- Two independently operated latch systems.
- Use with mortise locks with dead bolts up to 1" projection.
- **Flexible:** Always be prepared!
  - 4 faceplates included
  - 12 & 24DC, 12-24 AC, Low Current Draw
  - 1 Trim Skirt (matching finish)
- **Strong:** 2,000 lbs. holding force on each latch
- **Durable:** Exceeds 1,000,000 Life Cycles
- Works with the Schlage® L Series & Yale® 8700 Series **without** relocating mounting tabs.
- 1 - 11/16" backset.



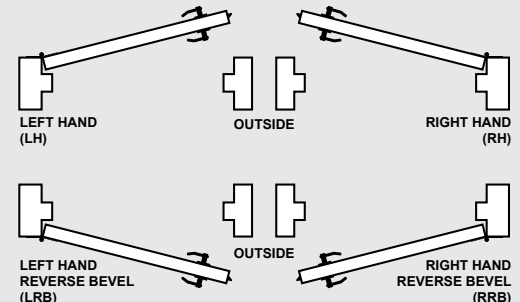
## Standards:

- 3-hour fire rated – **UL10C**, Fire Tests of Door Assemblies.
- BHMA Grade 1: ANSI/BHMA A156.5
- **UBC 7-2**, Uniform Building Code.
- **CAN4 S104**, Standard Method for Fire Tests of Door Assemblies.
- **NFPA 252** - Issue: 1999/01/01 Standard Methods of Fire Tests of Door Assemblies.
- ANSI/BHMA A156.31-2007
- Patent Pending



<b>Electric Characteristics *Per latch*</b>				
Voltage	Current/Amps	Ohms	Duty	Sound
12DC	0.240	50	Intm./Cont.	Silent
24DC	0.114	210	Intm./Cont.	Silent
12AC @ 60hz	0.210	50	Intm.	Buzz
16AC @ 60hz	0.280	50	Intm.	Buzz
24AC @ 60hz	0.420	50	Intm.	Buzz

## HOW TO ORDER



HANDING OF DOOR IS ALWAYS DETERMINED FROM THE OUTSIDE.

**Unit is Handed**

### Price:

**4100DBDL-32D** (Satin Stainless Steel – BHMA630) **\$558**

### The following finishes are:

- **4100DBDL-US4** (Satin Brass – BHMA606) **\$639**
- **4100DBDL-US10** (Satin Bronze – BHMA612)
- **4100DBDL-US10B** (Dark Bronze – BHMA613)

### The following finishes are:

- **4100DBDL-32** (Polished Stainless Steel – BHMA629) **\$699**
- **4100DBDL-US3** (Bright Brass – BHMA605)

To order Fail-safe see table to the right →

**RS price same as above.**

## 4100DBDL Handing and Failsafe Chart

*Both latches Fail Secure (unlocks with power):*  
4100DBDL-LH-(finish)  
4100DBDL-RH-(finish)

*Both latches Fail Safe (locks with power):*  
4100DBDL-RS-LH-(finish)  
4100DBDL-RS-RH-(finish)

*Top latch (only) is Fail Safe (locks with power):*  
4100DBDL-RST-LH-(finish)  
4100DBDL-RST-RH-(finish)

*Bottom latch (only) is Fail Safe (locks with power):*  
4100DBDL-RSB-LH-(finish)  
4100DBDL-RSB-RH-(finish)

# THE VERTICAL ROD SOLUTION

**TRINE**  
ACCESS TECHNOLOGY.

## 3275VRP-LC

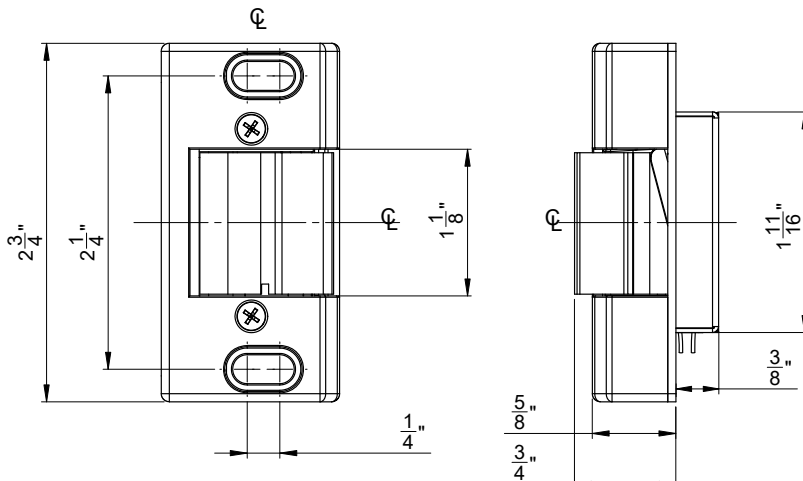
The 3275VRP is the smallest electric strike solution for vertical rod latches.

Utilizes the reliable 3000 series mechanism.

For Use with:

- Sargent 97/68
- Arrow 3700/S1150/600
- Cal-Royal 9860V/F9860V
- Town Steel ED1200F
- Von Duprin 33/35
- Von Duprin 98/99 (Without the Deadlocking option)

VOLTAGE	PULL IN/HOLD AMPS	OHMS
12VDC	.743/.298	13
12VAC	.715/.277	13
24VDC	.397/.170	13
24VAC	.378/.173	13
<b>DUTY:</b> Intermittent/Continuous		



**LC100**  
included (with surge  
& kickback protection)

### Features:

- All stainless steel construction
- BHMA Grade 1
- 1,500 lbs holding force
- 500,000+ life cycles
- Horizontal adjustment
- 1/16" spacer plate provided

## SPECIALIZED SOLUTIONS ELECTRIC STRIKE SERIES

### Finishes:

**275VRP-LC-ALUM**  
(Aluminum Powder Coat)

**275VRP-LC-DKBZ**  
(Dark Bronze Powder Coat)

LC100 included

**Price:**  
**\$349**

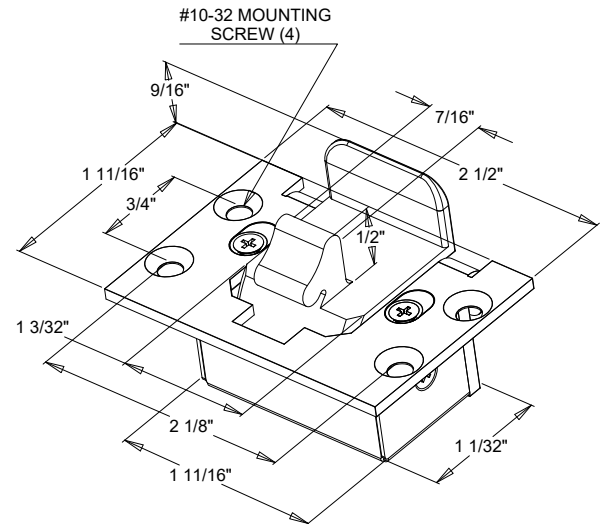
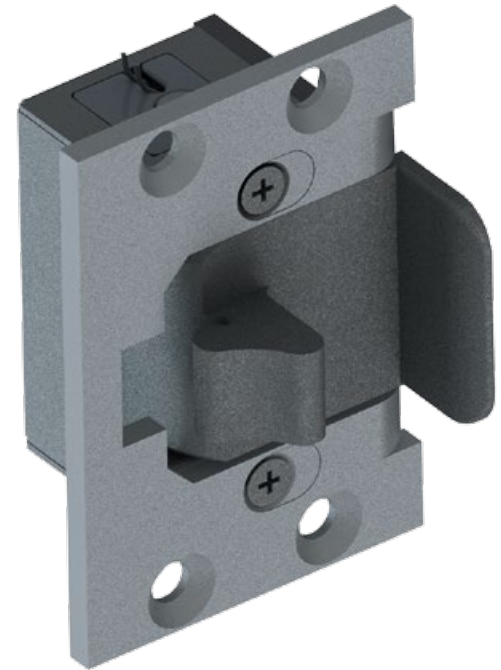
Available  
September 2018

# 3250SOM-LC (STRIKE-O-MATIC™)

The only electric strike for use with Door-O-Matic®

- Utilizes the reliable 3000 series mechanism.
- 1/8" Horizontal adjustment included.
- LC100 included for surge and kickback protection

VOLTAGE	PULL IN/HOLD AMPS	OHMS
12VDC	.743/.298	13
12VAC	.715/.277	13
24VDC	.397/.170	13
24VAC	.378/.173	13
<b>DUTY:</b> Intermittent/Continuous		



**Features:**

- Two faceplates provided in aluminum and dark bronze finish
- BHMA Grade 1
- 1,500 lbs holding force
- 500,000+ life cycles
- Horizontal adjustment
- Patented

**Finishes:**  
**3250SOM-LC-ALDB**  
 (Aluminum & Dark Bronze Powder Coated Faceplates)

**Price:**  
**\$389**

**LC100 included**

**Available**  
**September 2018**

# THE COMPLETE LINE OF ONE BOX SOLUTIONS

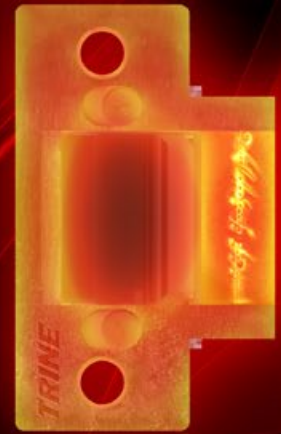
**\*NEW\***  
**323478F-LC**

**FOR CYLINDRICAL  
LOCKSETS**

**THE SMALLEST FIRE  
RATED ELECTRIC STRIKE  
IN THE WORLD**

**3 HOUR  
FIRE RATED**

3 Faceplates included



**FOR CYLINDRICAL &  
MORTISE LOCKS**

**4100**

**4 FACEPLATES  
INCLUDED**



**3 HOUR  
FIRE RATED**



**4850**

**FOR RIM PANIC  
EXIT DEVICES**

**HANDLES BOTH 1/2"  
& 3/4" LATCHES**

**NOW WITH 3  
SPACER PLATES**



**AVAILABLE  
4850PoE & 4850LCD**



**FOR RIM  
PANIC EXIT  
DEVICES**

**4800F**

**3 HOUR  
FIRE RATED**

**FIRE RATED  
AT NO  
ADDITIONAL  
COST**



**4200 FOR CYLINDRICAL &  
DEADLATCHES**



**THE MOST FLEXIBLE STRIKE AVAILABLE!**

**EN400MRP**

**THE GATE SOLUTION  
FOR CYLINDRICAL,  
MORTISE, & RIM  
PANIC EXIT DEVICES**

**OUTDOOR  
RATED**



**3 HOUR  
FIRE RATED**



**323478LC**

**FOR CYLINDRICAL  
LOCKSETS**



**THE SMALLEST ELECTRIC STRIKE IN THE WORLD**

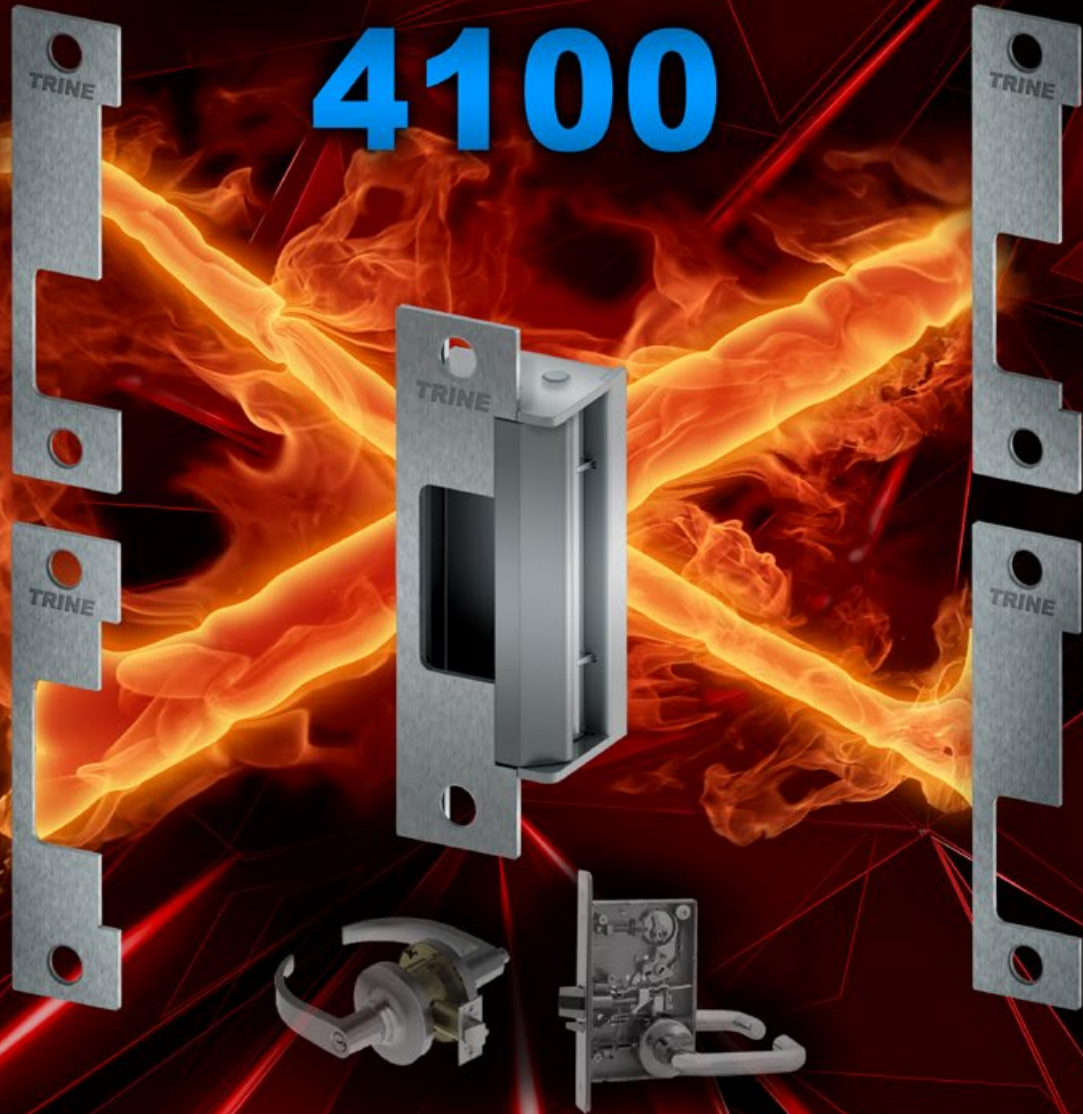




# THE ONE BOX SOLUTION

FOR CYLINDRICAL AND MORTISE LOCKS

# 4100



DON'T MISS THE  
**4100RX**

RAMP EXTENSION  
FOR THE 4100

WHEN YOU NEED THAT  
EXTRA 1/4" ON RACO™  
FRAMES (OR SIMILAR)

**NOW AVAILABLE**

# 4100LBSM

LATCHBOLT AND  
STRIKE MONITORING

MICROSWITCHES ARE A THING  
OF THE PAST!

**SUPERIOR  
PATENTED DESIGN**

# THE ONE BOX SOLUTION FOR CYLINDRICAL AND MORTISE LOCKS

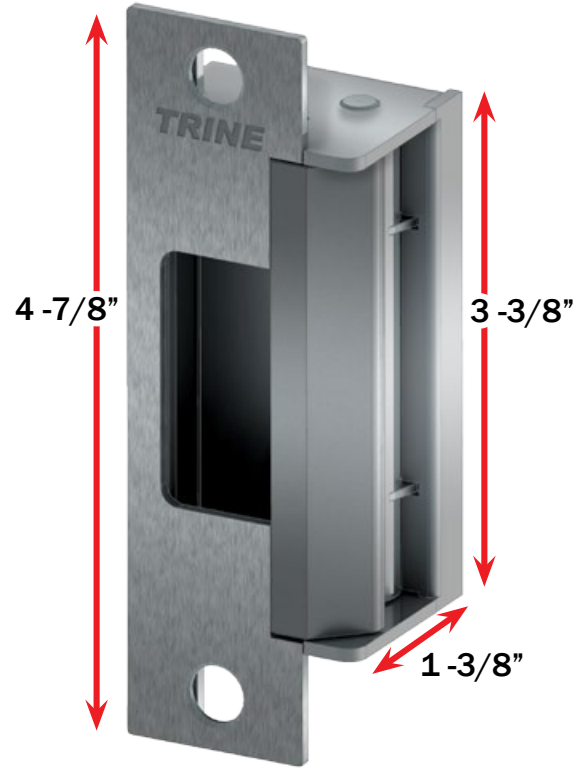


## Key Features:

- Use with cylindrical locksets, mortise locks without dead bolts and mortise exit devices.
- 1 - 3/8" shallow backset allows the 4100 to be used in 2" fire rated frames with 1/2" sheetrock ingress.
- **Flexible:** Always be prepared!
  - 4 faceplates included
  - 12 & 24DC, 12-24 AC, Low Current Draw
  - 1 Trim Skirt (matching finish) which covers competitor cutouts
- **Strong:** 3,000 lbs. of Holding Force (factory tested)
- **Durable:** Exceeds 1,000,000 Life Cycles
- Works with the Schlage® L Series & Yale® 8700 Series **without** relocating mounting tabs.



# The 4100



## Standards:

- 3-hour fire rated – UL10C, Fire Tests of Door Assemblies.
- Listed for UL1034 Burglary Resistant Electric Locking Mechanism, Grade 1
- 294 (6th Edition) Listed
- BHMA Grade 1: ANSI/BHMA A156.5
- UBC 7-2, Uniform Building Code.
- CAN4 S104, Standard Method for Fire Tests of Door Assemblies.
- NFPA 252 - Issue: 1999/01/01 Standard Methods of Fire Tests of Door Assemblies.
- USPT Patented #US20110241361
- ANSI/BHMA A156.31-2007

NOTE: WH fire listing is void when using fail safe action.



**Everything included.**



Premium trimskirt



www.trineonline.com

**Need an  
Installation Tool**

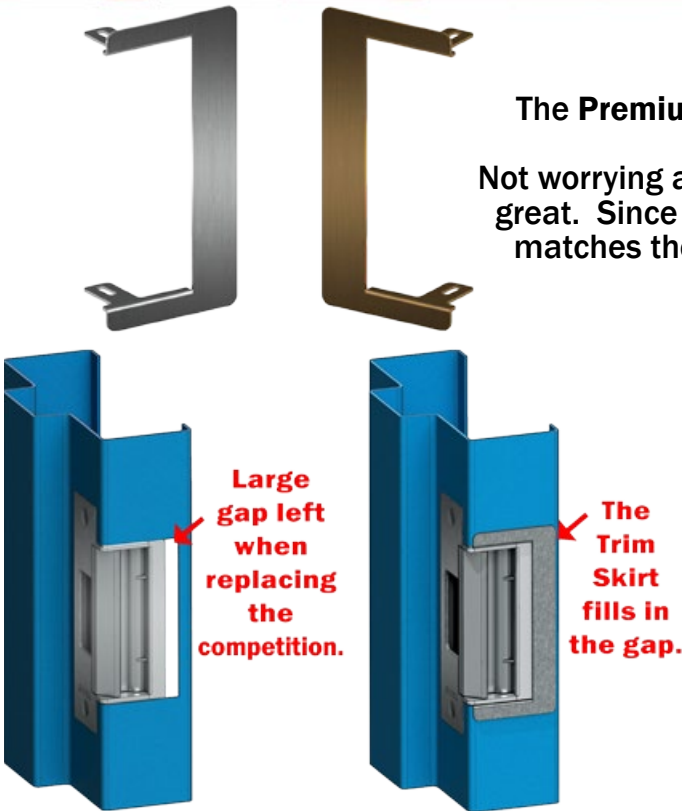
**See page 51**

The best way to mark and cut for the 4100... use the ANSI-ITL.

## Aesthetics Matter

The Premium stainless steel trim skirt cleans up the cut line.

Not worrying about a perfect cut on the face saves time and looks great. Since aesthetics matter, the premium trim skirt ALWAYS matches the finish on the faceplates and electric strike body.



## Cutting Matters

1 - 3/8" Low profile backset provides ease of installation. Why cut for a deadbolt 100% of the time when they are only used 5% of the time.



## Electric Characteristics

Voltage	Current/Amps	Ohms	Duty	Sound
12DC	0.240	50	Intm./Cont.	Silent
24DC	0.114	210	Intm./Cont.	Silent
12AC @ 60hz	0.210	50	Intm.	Buzz
16AC @ 60hz	0.280	50	Intm.	Buzz
24AC @ 60hz	0.420	50	Intm.	Buzz

No additional "pacs" required.

## Power Matters

Low Current Draw  
.240 Amp at 12DC makes it very PoE Friendly

12 & 24DC :: 12 through 24AC  
All the low voltage flexibility you need.

Low current draw, under 300 mA for 12DC, solves a number of installation and network load issues.



## Price:

**4100-32D** (Satin Stainless Steel – BHMA630) **\$499**

## The following finishes are:

- **4100-US4** (Satin Brass – BHMA606) **\$589**
- **4100-US10** (Satin Bronze – BHMA612)
- **4100-US10B** (Dark Bronze – BHMA613)

## The following finishes are:

- **4100-32** (Polished Stainless Steel – BHMA629) **\$648**
- **4100-US3** (Bright Brass – BHMA605)

For Fail-safe action (locks with power) add "RS" to the item number. EX: 4100RS-32D **RS price same as above.**

Faceplates, strike body, mounting screws, latch, and trim skirt all match the finish.

# 4100 Accessories

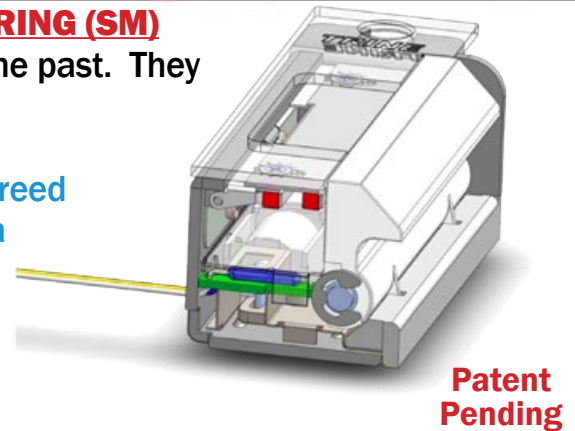


## 4100LB & 4100DBDL-LB & NOW WITH STRIKE MONITORING (SM)

The microswitches you've used for 30 years are a thing of the past. They are affected by moisture and fail sooner than you expect.

The Trine LB AND LBSM makes use of a sealed magnetic reed switch that is moisture and environmentally resistant with a life cycle count in excess of 2 million.

Stop replacing strikes due to low cost microswitches and start using a real **Latchbolt Monitoring Solution.**



Patent Pending

<b>4100LB/LBSM CHARACTERISTICS:</b>		<b>CONTACT RESISTANCE</b>	
CONTACT FORM:	C	STATIC:	150 MILLIOHM
CONTACT RATING:	10W	BREAKDOWN VOLTAGE:	200 VDC
SWITCHING VOLTAGE:	30V MAX AC/DC	OPERATING TEMP:	-40° - 130° C
SWITCHING CURRENT:	0.5 A	RATE:	2,000,000+ CYCLES

<b>Price:</b>	
<b>4100LB</b>	<b>4100LBSM</b>
<i>add \$80 to the list price.</i>	<i>add \$99 to the list price.</i>

### 4100RX-250

- 1/4" stainless steel ramp extensions.
- Perfect for Raco® frames or similar.
- Extension acts like a trim skirt to hide the cut line pocket.



<b>Finishes:</b>	<b>Price:</b>
<b>4100RX-250-32D</b> (Satin Stainless Steel - BHMA630)	<b>\$48</b>
<b>US32</b> (Polished Stainless - BHMA629)	<b>\$73</b>
<b>US10B</b> (Dark Bronze - BHMA613)	<b>\$73</b>

### 41-4200-AK: Accessories Kit

- Standard and Torx® screws
- 4100 & 4200 Latch shims
- Plug-in style wire connectors
- Sealed crimp connectors

**Price: \$29**

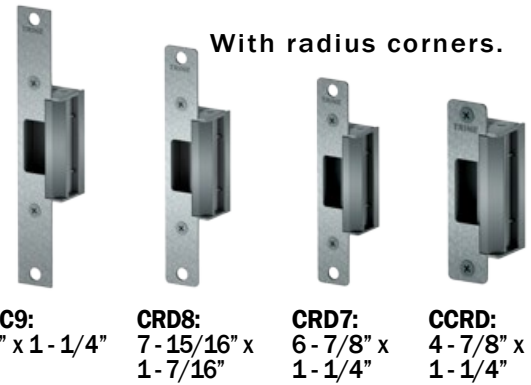
### Piezo Buzzers:

- **BZ-12:** Audible buzzer for 12DC power -- or --
- **BZ-24:** Audible buzzer for 24DC power

**DC VOLTAGE ONLY** **Price: \$14**

### Additional Faceplates:

**Aluminum Solution**  
We offer 3 faceplate sizes to meet the demands of aluminum installations.  
All faceplates can be used with the 4200.



<b>Finish:</b>				
32D (Satin Stainless - BHMA630)	<b>\$40</b>	<b>\$30</b>	<b>\$30</b>	<b>\$25</b>
<b>The following finishes are:</b>				
32 (Polished Stainless - BHMA629)	<b>\$70</b>	<b>\$60</b>	<b>\$60</b>	<b>\$55</b>
US3 (Bright Brass - BHMA605)				
<b>The following finishes are:</b>				
US4 (Satin Brass - BHMA606)				
US10 (Satin Bronze - BHMA612)	<b>\$60</b>	<b>\$50</b>	<b>\$50</b>	<b>\$45</b>
US10B (Dark Bronze - BHMA613)				

www.trineonline.com

Prices for faceplates only

# THE ONE BOX SOLUTION

FOR CYLINDRICAL AND DEADLATCHES



## 4200

THE BEST  
**LOW CURRENT DRAW**  
MOST FLEXIBLE  
*FRAME MATCHING*  
ELECTRIC STRIKE  
ON THE MARKET

## 4200CC-10B-32D

2 FINISHES - 1 BOX

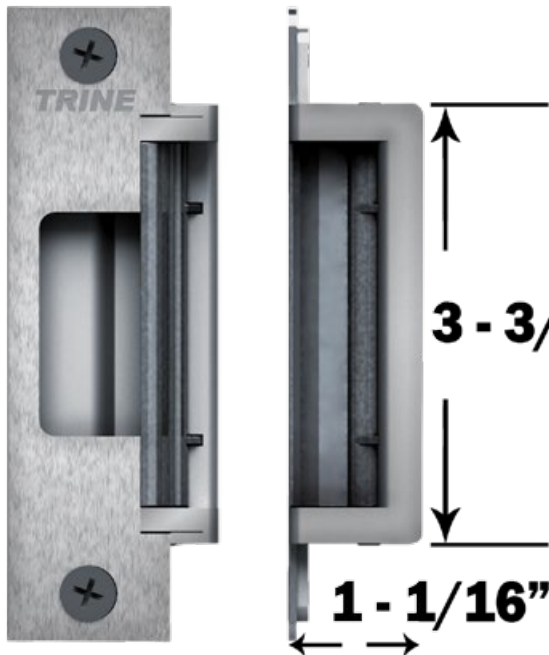


# THE ONE BOX SOLUTION FOR CYLINDRICAL AND DEADLATCHES



## THE FLEXIBLE STRIKE

### The 4200



#### Key Features:

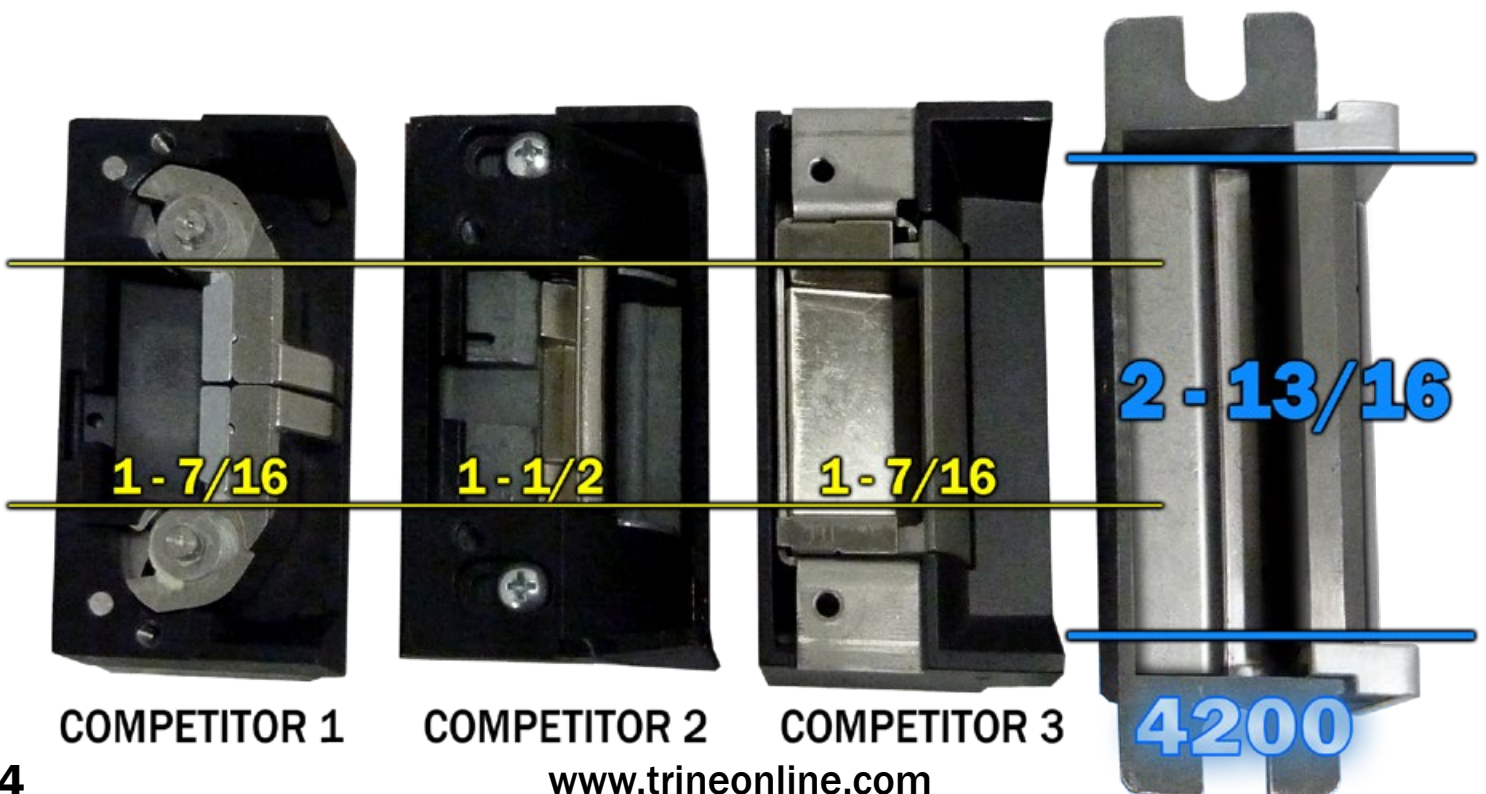
- Use with cylindrical locksets & dead latches in aluminum, metal, and wood frames. The 4200 **solves** problems auxiliary latch "pins" found on Adams Rite® locks.
- Tall Cavity **solves** door sag problems. Tallest latch in its class.
- 1 - 1/16" shallow backset **solves** frame depth problems.
- 4 faceplates included
- 12 & 24DC, 12-24 AC
- Trim Skirt Included - color matched trimskirts **SOLVE** bad cuts.
- **Removeable Fascia:** Change colors in the field to match your frame.

#### Standards:

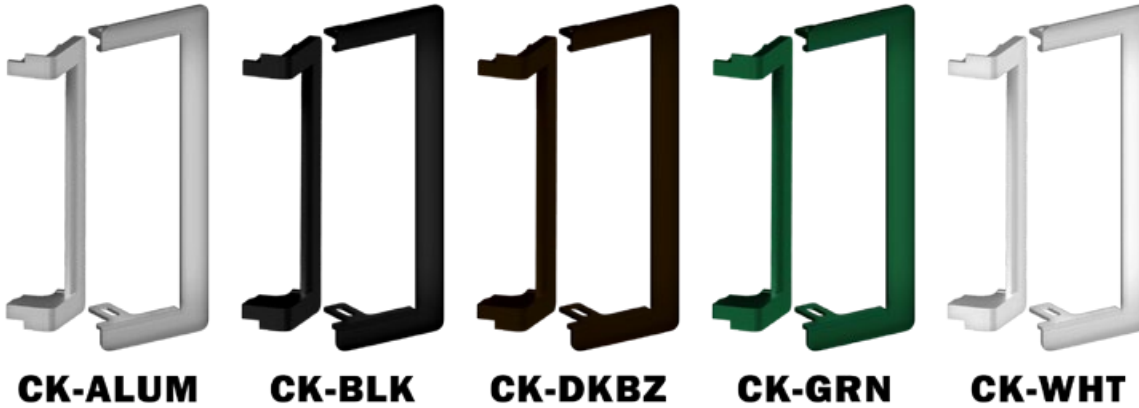
- ANSI/BHMA Grade 1 - A156.31-2007
- ETL Listed for UL1034 Burglary Resistant Electric Locking Mechanism
- ETL Listed for UL294 (6th edition)



## FLEXIBLE CAVITY



# FLEXIBLE FINISH



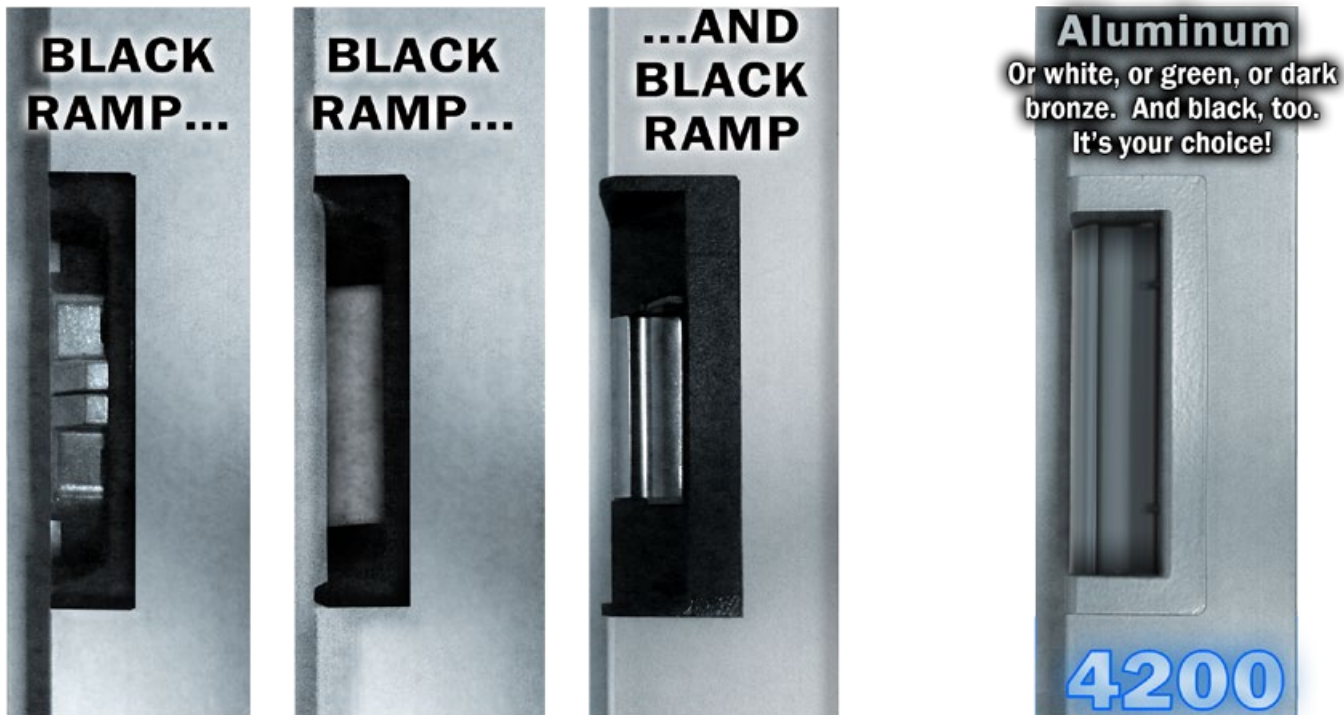
**Need an  
Installation Tool**

**See page 51**

The best way to  
mark and cut for  
the 4200...  
use the ANSI-HTL.

**Henry Ford once said,  
“you can have any color you want,  
so long as it’s black.”**

**And the competition agrees**

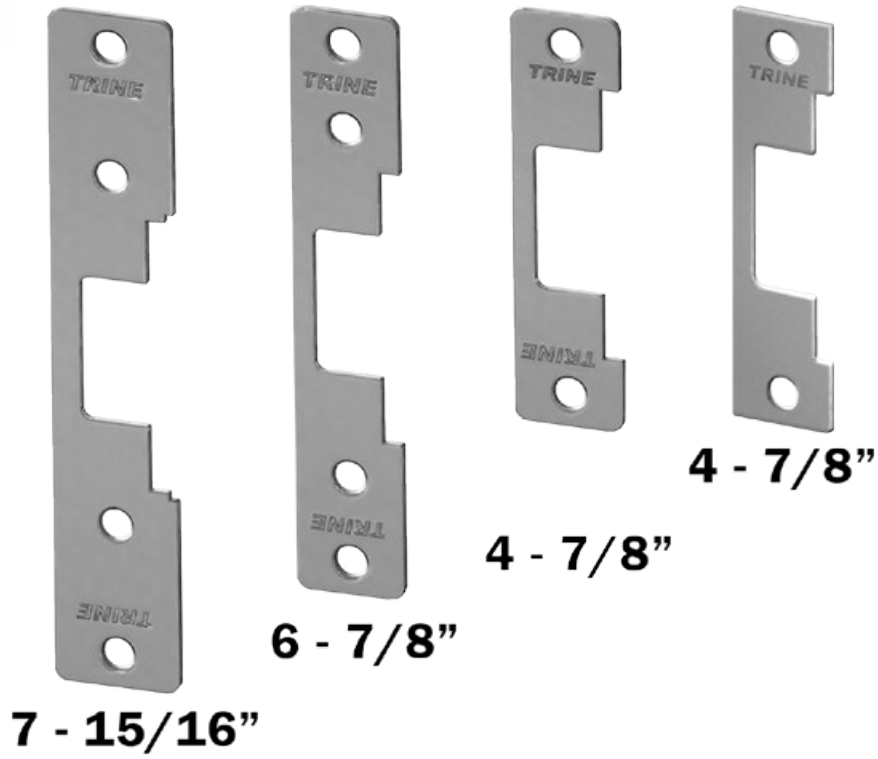


**CHANGE FINISH IN THE FIELD WITH OUR CK SYSTEM**

# THE ONE BOX SOLUTION FOR CYLINDRICAL AND DEADLATCHES



## FLEXIBLE FACEPLATES



**THE BEST SOLUTION  
FOR ALUMINUM  
FRAMES**

**ALL 4 FACEPLATES  
INCLUDED**

**AVAILABLE IN 6  
FINISHES**

**41-4200-AK: Accessories Kit**

- Standard and Torx® screws
- 4100 & 4200 Latch shims
- Plug-in style wire connectors
- Sealed crimp connectors

**Price: \$29**

## FLEXIBLE POWER

Electric Characteristics				
Voltage	Current/Amps	Ohms	Duty	Sound
12DC	0.240	50	Intm./Cont.	Silent
24DC	0.114	210	Intm./Cont.	Silent
12AC @ 60hz	0.210	50	Intm.	Buzz
16AC @ 60hz	0.280	50	Intm.	Buzz
24AC @ 60hz	0.420	50	Intm.	Buzz

### Power Matters

Low Current Draw  
.240 Amp at 12DC makes it  
very PoE Friendly

12 & 24DC :: 12 through 24AC  
All the low voltage flexibility  
you need.



**Price: \$199**

**4200-32D:** Stainless Steel Faceplates with Black Fascia – Use with the CK System ->

**4200-ALUM:** Aluminum Faceplates & Fascia

**4200-BLK:** Black Faceplates & Fascia

**4200-DKBZ:** Dark Bronze Faceplates & Fascia

**4200-GRN:** Green Faceplates & Fascia

**4200-WHT:** White Faceplates & Fascia

Add "RS" for Fail-safe model (ex: 4200RS-32D)

**CK System Price: \$25**

**CK-ALUM:** Aluminum Fascia/Trimskirt

**CK-BLK:** Black Fascia/Trimskirt

**CK-DKBZ:** Dark Bronze Fascia/Trimskirt

**CK-GRN:** Green Fascia/Trimskirt

**CK-WHT:** White Fascia/Trimskirt

---

**CK-PK:** This pack includes 4 Fascia & Trimskirt finish (except black) **Price: \$80**

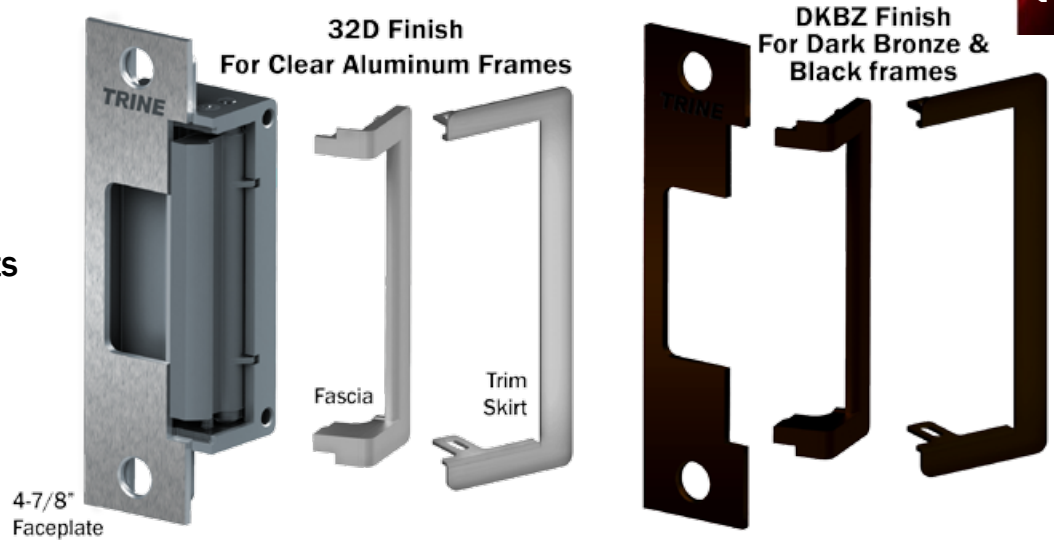


# The 4200CC-10B-32D

## Key Features:

- Two finish options in one box means you're ready for most frames.
- Tall Cavity solves door sag problems. Tallest latch in its class.

**ALL ITEMS SHOWN ARE INCLUDED**



4200CC-10B-32D (squared corners)

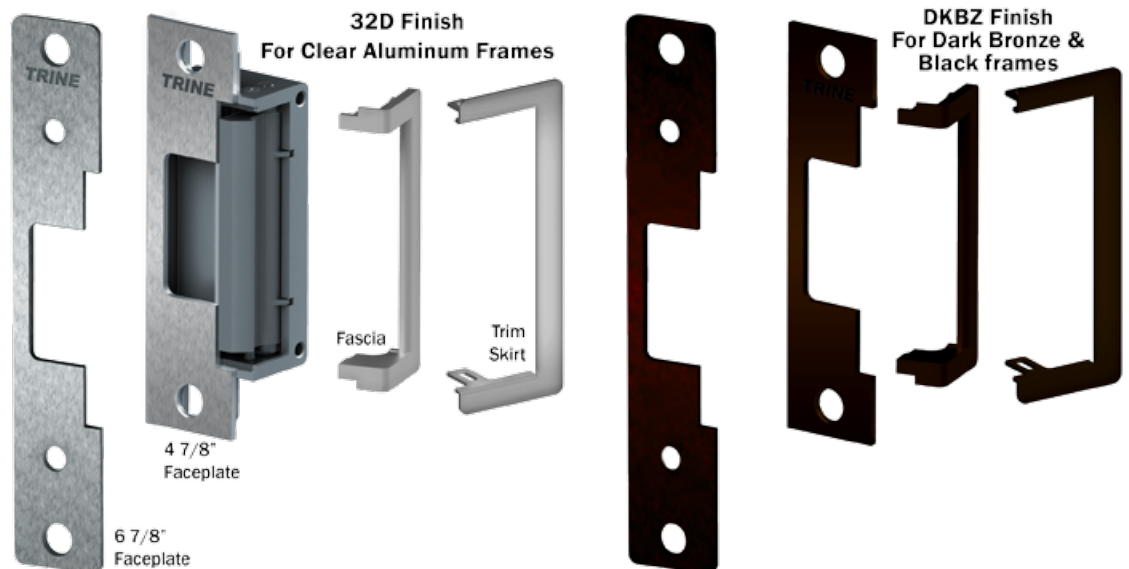
4200CCRD-10B-32D (rounded corners)

**Price: \$179**

# The 4200CC7-10B-32D

## Key Features:

- The two most common faceplate sizes for aluminum frames plus two finish options all in one box.
- Solves door sag problems. Tallest latch in its class.



**ALL ITEMS SHOWN ARE INCLUDED**

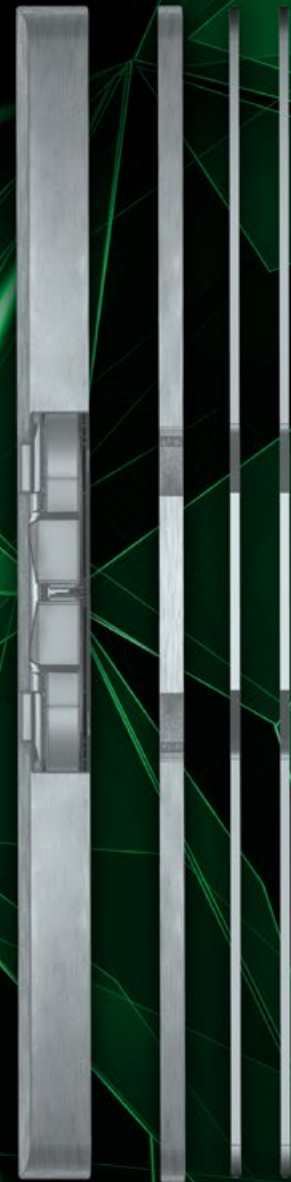
**Price: \$199**

# THE ONE BOX SOLUTION

FOR RIM PANIC EXIT DEVICES

## 4800F

## 4850



**THE 3/4" SOLUTION**  
FIRE RATED AT A  
NON-FIRE RATED COST

**THE 1/2" SOLUTION**  
3 SPACERS INCLUDED  
6 THICKNESSES CREATED

## The 4800F

**FIRE RATING IS THE  
EVERDAY STANDARD**

- For use with surface mounted rim exit devices with up to 1" throw. For use in new or replacement installations in wood or metal door frames and tight installs.
- Comes with Trine's Patented 4-Pin Anchoring System for strength and stability. (See page 23 for details)
- Cavity is completely open – which means the 4800 allows for an incremental depth up to a 1" throw – **Competitor back plates do not allow for this versatility.**
- Built-in electronics automatically allow 11 through 28 AC and DC Voltage input – with surge and kickback protection.
- Contains a one piece locking mechanism with one solenoid.  
**Less parts mean less problems.**
- Fail-safe/Fail-secure field selectable. *WH fire listing is void when using fail safe action.*

### Standards:

Class A, 3 Hour Single door / frame configuration

- UL10C, Fire Tests of Door Assemblies
- UBC 7-2, Uniform Building Code
- CAN4 S104, Standard Method for Fire Tests of Door Assemblies  
NFPA 252

Issue: 1999/01/01 Standard Methods of Fire Tests of Door Assemblies

- BHMA Grade 1 Electric Strike



**Need an  
Installation Tool**  
**See page 51**

The best way to mark and drill for the 4800F is the 4850-ITL.

### Electronics allow for PLUG and PLAY capability

Electric Characteristics			
Voltage	Pull In/Hold Amps	Duty	Sound
12DC	0.566/0.217	Intm./Cont.	Silent
24DC	0.253/0.099	Intm./Cont.	Silent
12AC	0.509/0.181	Intm./Cont.	Silent
16AC	0.405/0.149	Intm./Cont.	Silent
24AC	0.215/0.087	Intm./Cont.	Silent

### Price:

**4800F-32D** (Satin Stainless Steel – BHMA630) **\$489**

**4800F-DKBZ** (Dark Bronze Powder Coated – BHMA613E) **\$514**

**4800F-US4** (Satin Brass – BHMA606) **\$565**

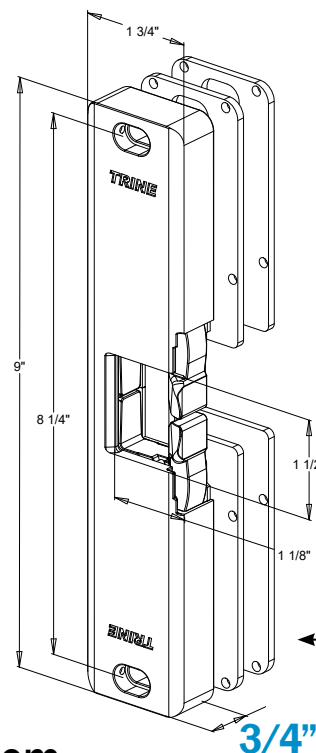
**4800F-US10** (Satin Bronze – BHMA612) **\$565**

**4800F-US10B** (Dark Bronze – BHMA613) **\$565**

**4800F-32** (Polished Stainless Steel – BHMA629) **\$580**

**4800F-US3** (Bright Brass – BHMA605) **\$580**

See Page 23 for options.



**NO CUTTING  
OF THE  
FRAME**

**Two (2) 1/16\"**  
**Spacer  
included**



# THE ONE BOX SOLUTION FOR RIM PANIC EXIT DEVICES



- For use with surface mounted rim exit devices with up to a 1" throw.
- Cavity is completely open – which means the 4850 allows for an incremental depth up to a 1" throw - **Competitor back plates do not allow for this versatility.**
- Built-in electronics automatically allow **11 through 28** DC voltage input – with surge and kickback protection
- Comes with Trine's **Patented 6-Pin Anchoring System** for strength and stability. (See page 23 for details)
- Contains a one piece locking mechanism with one solenoid – **less parts mean less problems.**
- Fail-safe/Fail-secure field selectable.
- BHMA Grade 1 Electric Strike

## The 4850

1/2" 1/4" 1/16"



**Need an Installation Tool**  
**See page 51**  
The best way to mark and drill for the 4850 is the 4850-ITL.

<b>Electric Characteristics</b>			
Voltage	Pull In/Holding		Sound
	Current/Amps	Duty	
12DC	0.500/0.178	Intm./Cont.	Silent
16DC	0.385/0.131	Intm./Cont.	Silent
24DC	0.255/0.084	Intm./Cont.	Silent

<b>Price:</b>	
<b>4850-32D</b> (Satin Stainless Steel – BHMA630)	<b>\$495</b>
<b>4850-DKBZ</b> (Dark Bronze Powder Coated – BHMA613E)	<b>\$525</b>
<b>4850-US4</b> (Satin Brass – BHMA606)	
<b>4850-US10</b> (Satin Bronze – BHMA612)	<b>\$571</b>
<b>4850-US10B</b> (Dark Bronze – BHMA613)	
<b>4850-32</b> (Polished Stainless Steel – BHMA629)	
<b>4850-US3</b> (Bright Brass – BHMA605)	<b>\$584</b>

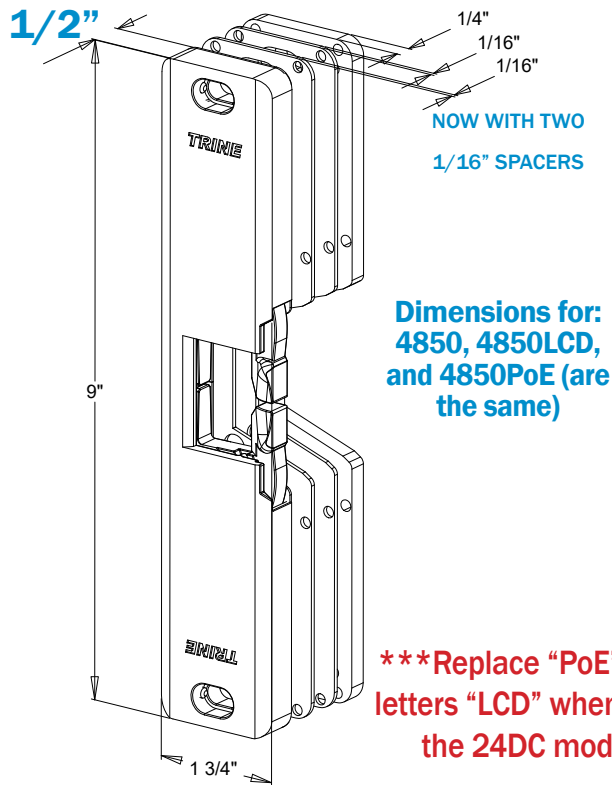
See Page 23 for options.

**3 Spacers included,  
6 Thicknesses created,  
1 Box solution provided.**

# The 4850PoE & LCD

Low Current Draw means smaller or no additional power supply is required for most installations.

Electric Characteristics					
Item	Voltage	Amps	Watts	Duty	Sound
4850PoE	12DC	0.260	3.12	Intm./Cont.	Silent
4850LCD	24DC	0.135	3.24	Intm./Cont.	Silent
Other surface mounted strikes start at:				<b>Don't Forget Amperage Drop! Compensate with a Low Current Draw Strike.</b>	
	12DC	0.450	5.40		
	24DC	0.250	6.00		



**\*\*\*Replace "PoE" with the letters "LCD" when ordering the 24DC model\*\*\***



Price:	
<b>4850PoE-32D</b> (Satin Stainless Steel – BHMA630)	<b>\$495</b>
<b>4850PoE-DKBZ</b> (Dark Bronze Powder Coated – BHMA613E)	<b>\$525</b>
<b>4850PoE-US4</b> (Satin Brass – BHMA606)	
<b>4850PoE-US10</b> (Satin Bronze – BHMA612)	<b>\$571</b>
<b>4850PoE-US10B</b> (Dark Bronze – BHMA613)	
<b>4850PoE-32</b> (Polished Stainless Steel – BHMA629)	
<b>4850PoE-US3</b> (Bright Brass – BHMA605)	<b>\$584</b>

See Page 23 for options.

# THE 'BOLT' STRIKE SOLUTION THE LATCHBOLT MONITORING SOLUTION



## 4801 - "Bolt" Strike

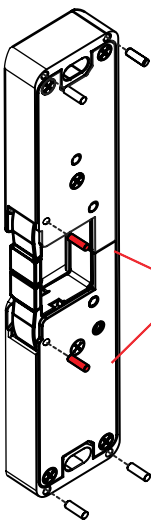
- For use with the Yale Squarebolt® or Corbin Russwin Securebolt™ in new or replacement installations with wood or metal door frames.
- Use with surface mounted rim device with up to 1" throw.
- Cavity Opening -  
Height: 1 17/32"  
Width: 1 5/32"
- 6-Pin Anchor system provided to handle the toughest installations.
- Electronics and BHMA rating same as the 4800F - see page 19.



## Latchbolt Monitoring (LB Option)



- IR optical sensor
- Single pole, double throw, form "C" Relay, rated at 1-amp at 12-24 AC-DC
- N/O and N/C relay contacts
- Module power source  
• 12-24 DC
- Current consumption is:  
12v: standby 12.7ma  
activate 22.8ma  
24v: standby 19.4ma  
activate 34.4ma
- All other features are the same as the base model.



**\*Must Install  
2 middle  
pins on the  
4801/4801LB**

**Price:**

<b>4801-32D</b> (Satin Stainless Steel – BHMA630)	<b>\$520</b>
<b>4801-DKBZ</b> (Dark Bronze Powder Coated – BHMA613E)	<b>\$545</b>
<b>4801-US4</b> (Satin Brass – BHMA606)	<b>\$594</b>
<b>4801-US10</b> (Satin Bronze – BHMA612)	
<b>4801-US10B</b> (Dark Bronze – BHMA613)	
<b>4801-32</b> (Polished Stainless Steel – BHMA629)	<b>\$599</b>
<b>4801-US3</b> (Bright Brass – BHMA605)	

**Price:**

Add "LB" to any 4800 series electric strike

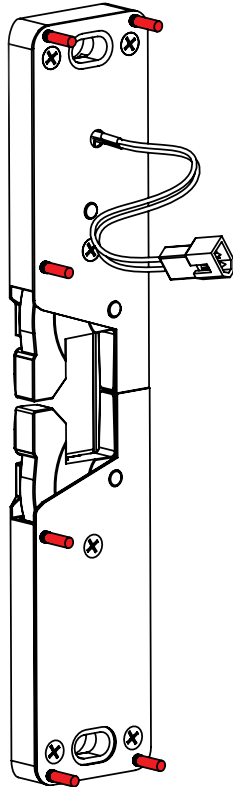
**add  
\$99.00  
to the price of  
the base unit.**

**Example:**

- 4800FLB-32D
- 4850LB-10B
- 4801LB-32

## PATENTED ANCHORING SYSTEM

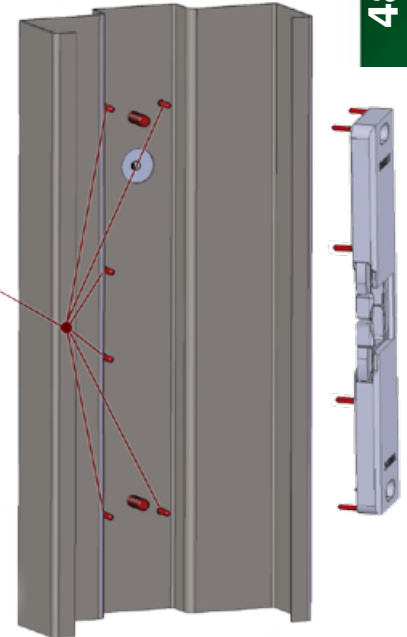
- Included in every 4800 series strike.
- Prevents strike from shifting on the frame for the most secure installation.
- Two center pins suggested for installs in high traffic locations.



• The Anchor System provides up to six additional points of contact for the toughest installations.

• The 4850 can have a total 8 points of connection between the frame and strike for maximum strength.

• Anchoring pins are .128" diameter. A #30 drill bit is recommended.



**Need an Installation Tool**  
**See page 51**  
 The best way to mark and drill for the 4800 series is the 4850-ITL.

**THE CONFIGURATION IS YOUR CHOICE**

## 4800 Series Accessories

### MWH-5

#### REMOVABLE MULLION WIRE HARNESS FOR 4800 SERIES ELECTRIC STRIKES

Contains:

- (1) 5' Wire for mullion with male/female connectors.
- (1) Male connector & (1) Female connector.
- (1) Mullion cap, & (1) Wire adhesive.
- (4) Wire caps
- (1) Wire tie

**Price:**

**\$20**

### 4850-AK: ACCESSORIES KIT

Contains:

- (1) Fail safe plunger with spring & (1) Fail safe cam.
- (6) Anchoring pins.
- (2) 1/4-20 x 1" UH Cap socket mounting screws
- (1) Wire connector
- (2) Wire caps

**\$25**

### 4800-AK: ACCESSORIES KIT

Contains:

- (1) Fail safe plunger with spring
- (4) Anchoring pins.
- (2) 1/4-20 x 1" UH Cap socket mounting screws
- (1) Wire connector
- (2) Wire caps

**\$25**

### 4800-SS: TWO 1/16" SPACER PLATES IN 32D

**\$25**

### 4800-SS-DKBZ: TWO 1/16" SPACER IN DARK BRONZE 613E

**\$34**

Fits all 4800 Series Electric Strikes

### 4850-SS: 1/4" SPACER PLATE IN 32D

**\$40**

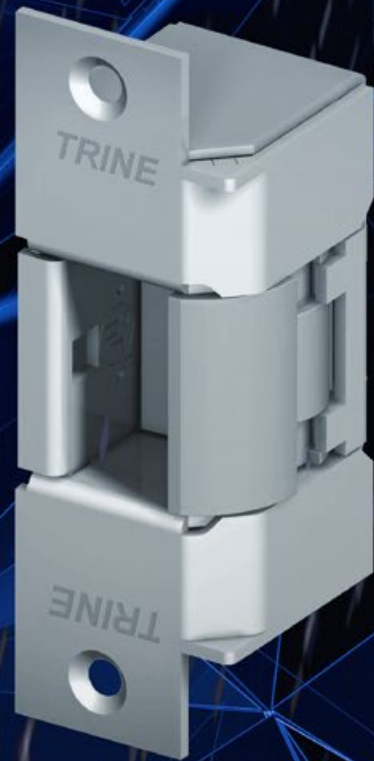
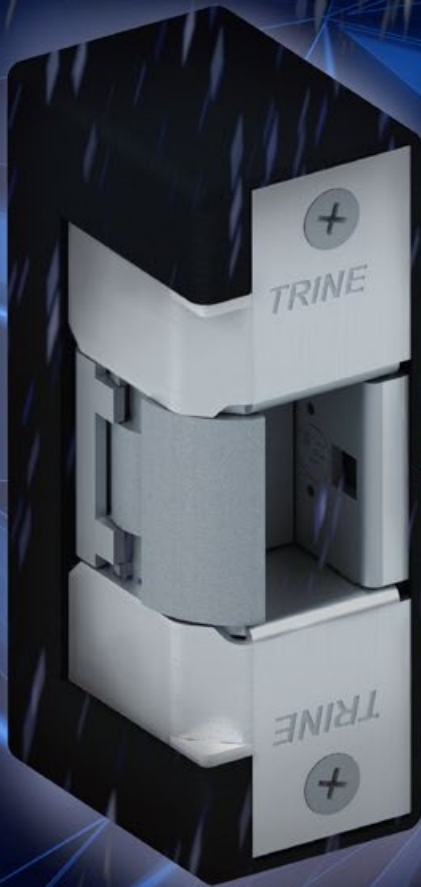
### 4850-SS-DKBZ: 1/4" SPACER IN DARK BRONZE 613E

**\$49**

Fits all 4800 Series Electric Strikes

# THE ONE BOX SOLUTION

FOR ALL GATE AND OUTDOOR INSTALLATIONS



**3 HOUR FIRE RATED**  
(except 400RP, 800, 850)  
**BURGLARY RATED**  
**OUTDOOR RATED**  
**294 RATED**



## EN400CMRP

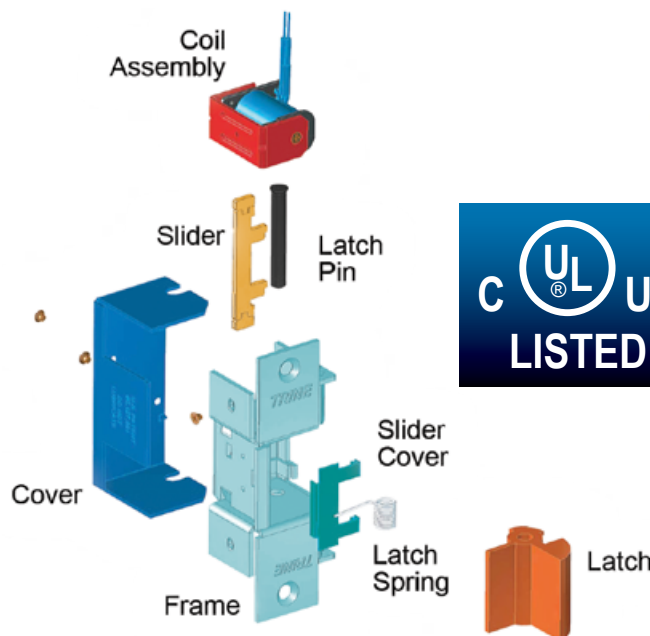
**THE GATE "KIT"**  
**FOR ELECTRIC STRIKES**

**THE ONLY ELECTRIC STRIKE THAT CAN BE CHANGED  
BETWEEN CYLINDRICAL, MORTISE, AND RIM PANICS**



- Contains **ONLY 8** total parts.
- Only **1** moving part in the locking mechanism.
- All stainless steel construction.

- ✦ **Superior Strength** - 2,000+ lbs - (UL) tested.
- ✦ **Superior Life** - 1,000,000+ cycles.
- ✦ **Superior Application** - (UL) Outdoor rating allows the strike to be used where the competition can not.



### Key Features

- Continuous Duty runs very cool (DC only)
- Durability of 1,000,000+ life cycles
- A holding force of 2,000+ lbs – (UL) Tested!
- **Fail-secure/Fail-safe is field reversible on DC units (except on 430 & 435 models)\***
- Left and Right handing is field reversible (except the offset 430 & 435 models)\*
- Units install flush with face of the frame for a clean look.
- Low Current Draw (DC Models\*)  
Voltage & Amp draw is the same across all EN Models



### HOW TO ORDER

Please provide the following information to ensure you receive the CORRECT electric strike.

Model #	--	Voltage	--	Finish	--	Handing
example: 400		12DC		32D		RH

**\*Fail Safe Request: Please add "RS" to item#**  
example: 400**RS**-12DC-32D-RH

**Add \$15 to list price of base model.**

### Standards

- (UL) Listed 10C - Fire-rated  
- Class A, 3-hour, single swing door (except on 400RP, 800 & 850 models)
- (UL) UL 1034 burglary-resistant listed and suitable for outdoor use
- (UL) UL 294 (6th Edition) listed
- BHMA 156.31 2001, Grade 1
- NYC MEA 79-01-E

Electric Characteristics				
Voltage	Amps	Ohms	Duty	Sound
12AC	0.70	4.5	Intm.	Buzz
24AC	0.37	18.0	Intm.	Buzz
12DC	0.28	43.0	Intm./Cont.	Silent
24DC	0.15	164.0	Intm./Cont.	Silent

### Wire Lead Color Codes

<u>Voltage</u>	<u>Wire Colors</u>
12AC - Blue & Orange/White	24AC - Blue & Black/White
12DC - 2 - Orange/White	24DC - 2 - Black/White

**Need an Installation Tool**

**See page 51.** The best way to mark and cut for the EN400 is the ANSI-ITL.

# THE OUTDOOR SOLUTION

FOR CYLINDRICAL, MORTISE, & RIM PANIC EXIT DEVICES



EN Series

## EN400CMRP

### THE ONE BOX SOLUTION

THE ONLY ELECTRIC STRIKE SOLUTION ON THE MARKET THAT CAN HANDLE

**CYLINDRICAL, MORTISE, DEADLATCHES, AND RIM PANICS**

The Flexible 400CMRP Includes:

- A completed strike in the box (see bottom of page for details).
- An additional strike latch to handle mortise, cylindrical, and rim panic strikes.
- The EN400-Gatebox - Mount the strike anywhere.
- The EN-24DC-CA - change voltage in the field.
- Fail safe/Fail secure field reversible.
- Always Low Current Draw



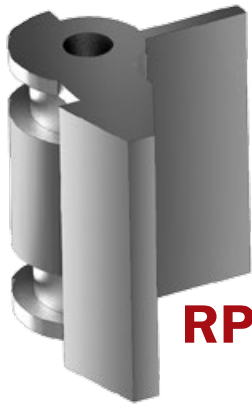
#### EN400-Gatebox

Install the EN400CMRP anywhere on the frame or post.

Steel gatebox is unfinished.



Aluminum gatebox available (see pg 31)



**RP Latch**

#### Price:

<b>400CMRP-32D</b> (Satin Stainless Steel – BHMA630) - unit comes as a 400-12DC-32D-RH; RP (rim panic) latch and 24DC coil are in the box.	<b>\$515</b>
---	--------------

<b>400RPCM-32D</b> (Satin Stainless Steel – BHMA630) - unit comes as a 400RP-24DC-32D-RH; CM (cylindrical/mortise) latch and 12DC coil are in the box.	<b>\$515</b>
---	--------------

## EN400



- Use with Cylindrical and Mortise Locks.
- Perfect for exterior doors and gates.
- Latch Shim Kit provided for horizontal cavity adjustment.
- Field reversible handing – remember to pick a specific hand when ordering to save time.

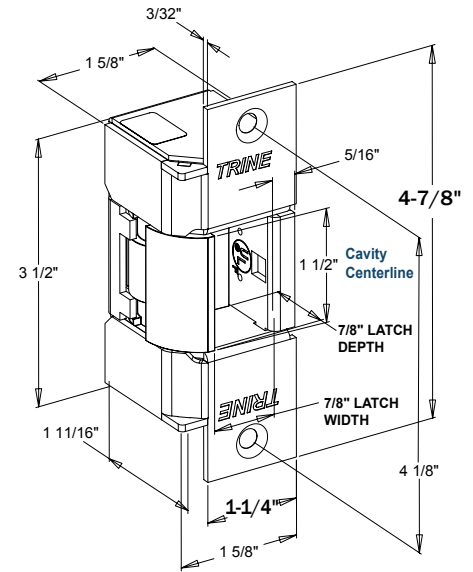
**Price:** Refer to pg 25 for "How to Order"

**400-32D** (Satin Stainless Steel – BHMA630) **\$420**

**The following finishes are:** **\$475**

- **400-US3** (Bright Brass – BHMA605)
- **400-US4** (Satin Brass – BHMA606)
- **400-US10** (Satin Bronze – BHMA612)
- **400-US10B** (Dark Bronze – BHMA613)
- **400-32** (Polished Stainless – BHMA629)

**EN400-Gatebox** (Steel Gatebox, unfinished) **\$40** **EN400-Gatebox-AL** (Aluminum Gatebox) **\$65**



## EN400RP



- Use with rim panic devices
- Perfect for exterior doors and gates.
- Field reversible handing – remember to pick a specific hand when ordering to save time.
- The Outdoor Rim Panic Solution

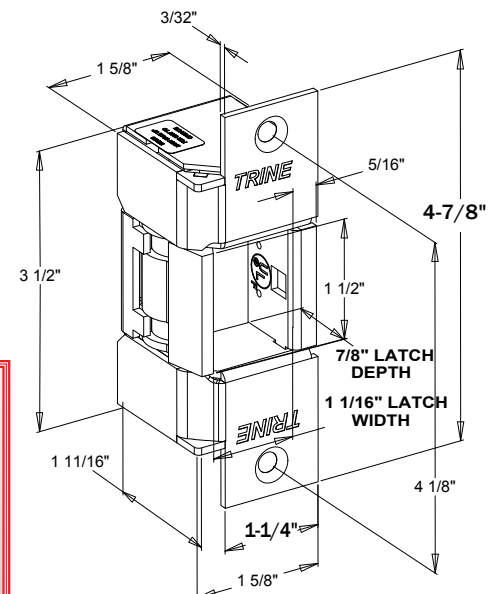
**Price:** Refer to pg 25 for "How to Order"

**400RP-32D** (Satin Stainless Steel – BHMA630) **\$420**

**The following finishes are:** **\$475**

- **400RP-US3** (Bright Brass – BHMA605)
- **400RP-US4** (Satin Brass – BHMA606)
- **400RP-US10** (Satin Bronze – BHMA612)
- **400RP-US10B** (Dark Bronze – BHMA613)
- **400RP-32** (Polished Stainless – BHMA629)

**EN400-Gatebox** (Steel Gatebox, unfinished) **\$40** **EN400-Gatebox-AL** (Aluminum Gatebox) **\$65**



(Not UL 10C listed)

# The Outdoor Electric Strike Solutions

## EN Series



### EN430 - CAVITY CENTERLINE OFFSET 1"

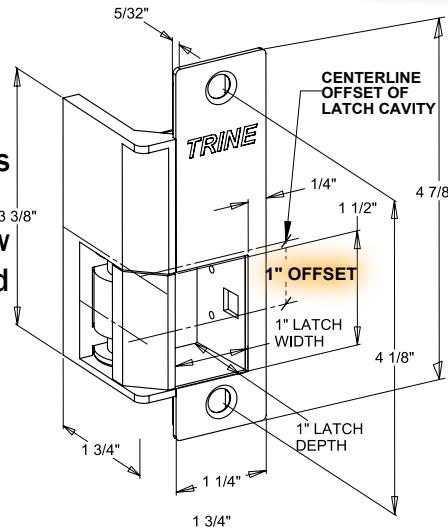
LH shown



For new or replacement installations in metal jambs. Use with mortise lock latchbolts with up to 7/8" throw without relocating centerline. Based on 1/8" door gap.

Latch Shim Kit provided for horizontal cavity adjustment.

Designed to work with Schlage L Series, Sargent 7700, 8100, & Yale 8700



Refer to pg 25 for "How to Order"

**Price:**  
430-32D **\$440**  
(Satin Stainless Steel - BHMA630)

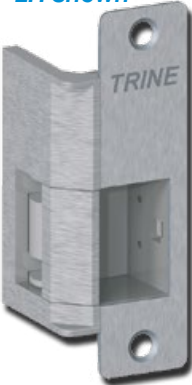
The following finishes are:

- 430-US3 **\$490**  
(Bright Brass - BHMA605)
- 430-US4  
(Satin Brass - BHMA606)
- 430-US10  
(Satin Bronze - BHMA612)
- 430-US10B  
(Dark Bronze - BHMA640)
- 430-32  
(Polished Stainless - BHMA629)

The EN430 is handed, please specify LH or RH

### EN435 - CAVITY CENTERLINE OFFSET 3/4"

LH shown

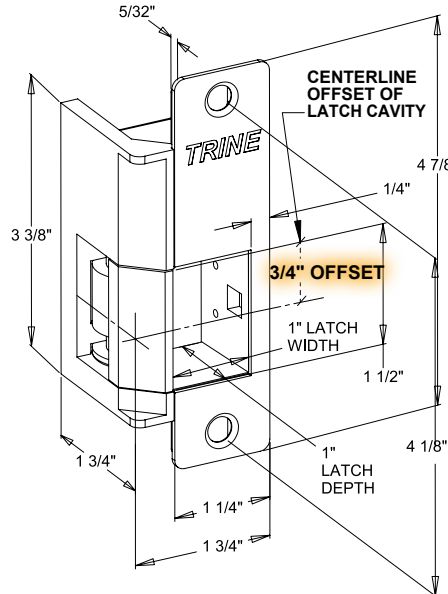


For new or replacement installations in metal jambs. Use with mortise lock latchbolts with up to 7/8" throw without relocating centerline. Based on 1/8" door gap.

Latch Shim Kit provided for horizontal cavity adjustment.

Designed to work with Arrow, Falcon, Sargent 7800, 8200, 9200, Yale 8800

Factory tested by Best® to work with the 45H Series.



Refer to pg 25 for "How to Order"

**Price:**  
435-32D **\$440**  
(Satin Stainless Steel - BHMA630)

The following finishes are:

- 435-US3 **\$490**  
(Bright Brass - BHMA605)
- 435-US4  
(Satin Brass - BHMA606)
- 435-US10  
(Satin Bronze - BHMA612)
- 435-US10B  
(Dark Bronze - BHMA613)
- 435-32  
(Polished Stainless - BHMA629)

The EN435 is handed, please specify LH or RH

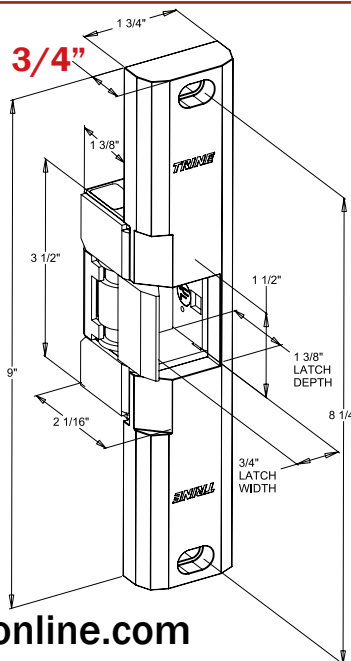
### EN800 - GREAT FOR OUTDOOR GATES



For new or replacement installations in wood or metal single door jambs. Use with surface mounted rim exit devices with up to 1" throw. 3/4" thick face plate.

(Not UL 10C Listed)

Works with Rim Panic Exit Devices



Refer to pg 25 for "How to Order"

**Price:**  
800-32D **\$465**  
(Satin Stainless Steel - BHMA630)

The following finishes are:

- 800-US3 **\$510**  
(Bright Brass - BHMA605)
- 800-US4  
(Satin Brass - BHMA606)
- 800-US10  
(Satin Bronze - BHMA612)
- 800-US10B  
(Dark Bronze - BHMA613)
- 800-32  
(Polished Stainless - BHMA629)

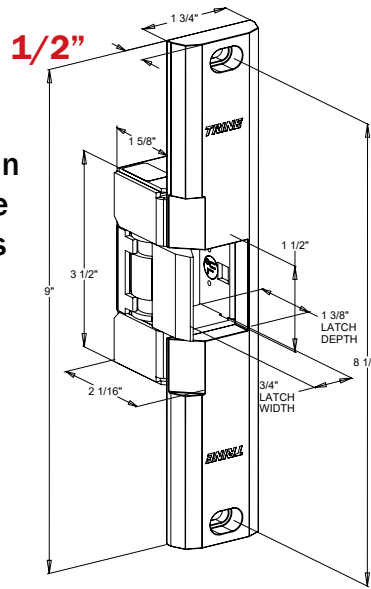


## EN850 – GREAT FOR OUTDOOR GATES

For new or replacement installations in wood or metal single door jambs. Use with surface mounted rim exit devices with up to 1" throw. **1/2" thick face plate.**

(Not UL 10C Listed)

Works with Rim Panic Exit Devices.



Refer to pg 25 for  
"How to Order"

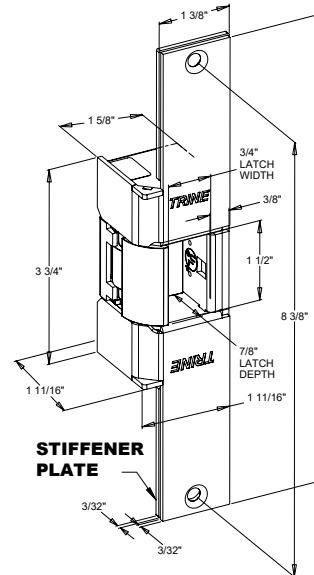
- Price:**  
**850-32D** **\$480**  
(Satin Stainless Steel – BHMA630)
- The following finishes are:**
- **850-US3** **\$540**  
(Bright Brass – BHMA605)
  - **850-US4**  
(Satin Brass – BHMA606)
  - **850-US10**  
(Satin Bronze – BHMA612)
  - **850-US10B**  
(Dark Bronze – BHMA613)
  - **850-32**  
(Polished Stainless – BHMA629)



## EN950 – FITS FOLGER ADAM® 310-2 CUTOUT

For new or replacement installations in metal or wood jambs. Use with mortise exit devices, mortise locks without dead bolts and cylindrical locksets with up to 7/8" throw. Based on 1/8" door gap.

Latch Shim Kit provided for horizontal cavity adjustment.



Refer to pg 25 for  
"How to Order"

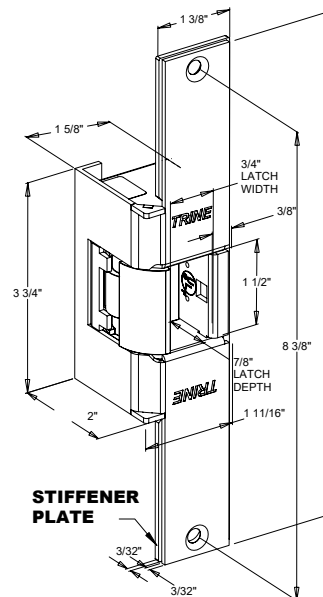
- Price:**  
**950-32D** **\$475**  
(Satin Stainless Steel – BHMA630)
- The following finishes are:**
- **950-US3** **\$535**  
(Bright Brass – BHMA605)
  - **950-US4**  
(Satin Brass – BHMA606)
  - **950-US10**  
(Satin Bronze – BHMA612)
  - **950-US10B**  
(Dark Bronze – BHMA613)
  - **950-32**  
(Polished Stainless – BHMA629)



## EN960 – FITS FOLGER ADAM® 310-2 3/4" CUTOUT

For new or replacement installations in metal or wood jambs. Use with mortise exit devices, mortise locks without dead bolts and cylindrical locksets with up to 7/8" throw. Based on 1/8" door gap.

Latch Shim Kit provided for horizontal cavity adjustment.

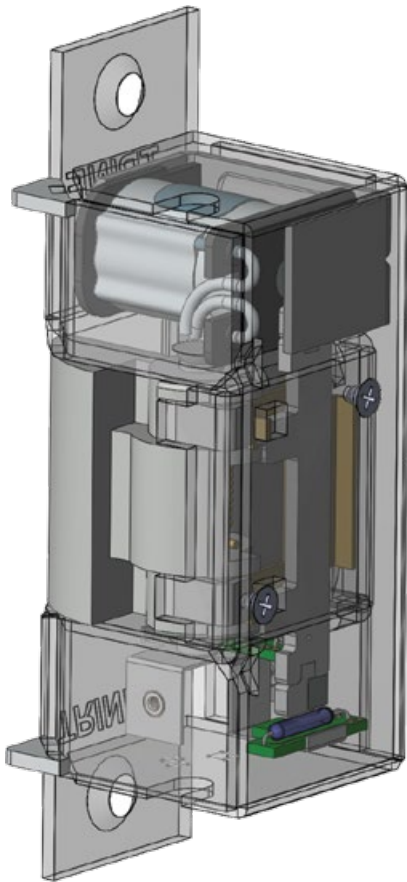


Refer to pg 25 for  
"How to Order"

- Price:**  
**960-32D** **\$510**  
(Satin Stainless Steel – BHMA630)
- The following finishes are:**
- **960-US3** **\$560**  
(Bright Brass – BHMA605)
  - **960-US4**  
(Satin Brass – BHMA606)
  - **960-US10**  
(Satin Bronze – BHMA612)
  - **960-US10B**  
(Dark Bronze – BHMA613)
  - **960-32**  
(Polished Stainless – BHMA629)

# EN Latchbolt Monitoring

**TRINE**  
ACCESS TECHNOLOGY



Patent Pending

## The NEW LBSM for the 400, 950, 960

- Latchbolt monitoring utilizes a sealed magnetic reed switch and monitors if the lockset latch is engaged with the strike.
- Strike mechanism monitoring detects whether the strike is in the locked or unlocked position

### LBM CHARACTERISTICS:

CONTACT FORM:	C
CONTACT RATING:	10W
SWITCHING VOLTAGE:	30V MAX AC/DC
SWITCHING CURRENT:	0.5 A
CONTACT RESISTANCE	
STATIC:	150 MILLIOHM
BREAKDOWN VOLTAGE:	200 VDC
OPERATING TEMP:	-40° - 130° C
RATE:	2,000,000+ CYCLES

USE WITH A  
GATEBOX FOR  
ADDED FLEXIBILITY



### Price:

Add "LBSM" to model 400, 950, or 960

### Example:

- 400LBSM-12DC-32D

add  
\$99

to the price of the base unit.

## TOUGH-AS-NAILS-GO-ANYWHERE-EN-SERIES

has found a latchbolt monitor that can follow it outdoors and into the elements.

### EN-LB – LATCHBOLT MONITORING

- Remote central station notification
- Local alarm monitoring relay
- Triggering video surveillance/recording systems
- Active relay for trap door systems

IR optical sensor – Adjustable sensitivity with simple screw adjustment – Single pole, double throw, Form "C" relay, rated at 1-amp at 12-24 AC/DC – N/O and N/C relay contacts – Module power source rating of 12-24VDC

#### Current consumption is:

0.034 amps at 12VDC & 0.045 amps at 24VDC

### FOR 430 & 435 ONLY

### Price:

Add "LB" to a 430 or 435 electric strike

### Examples:

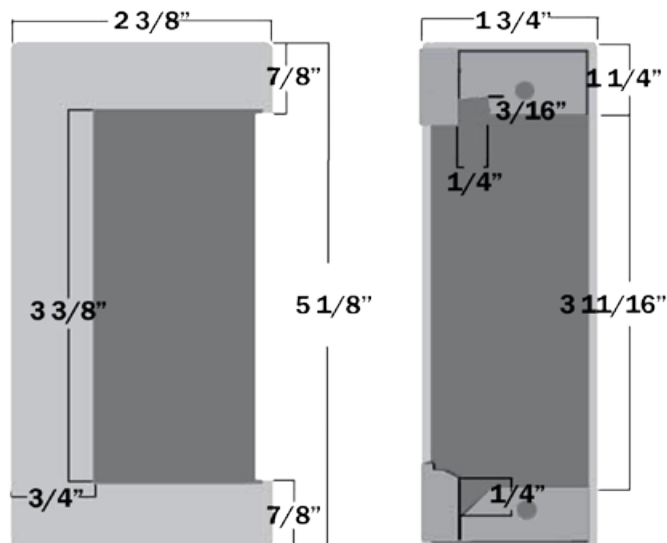
- 430LB-12DC-32D

add  
\$95

to the price of the base unit.

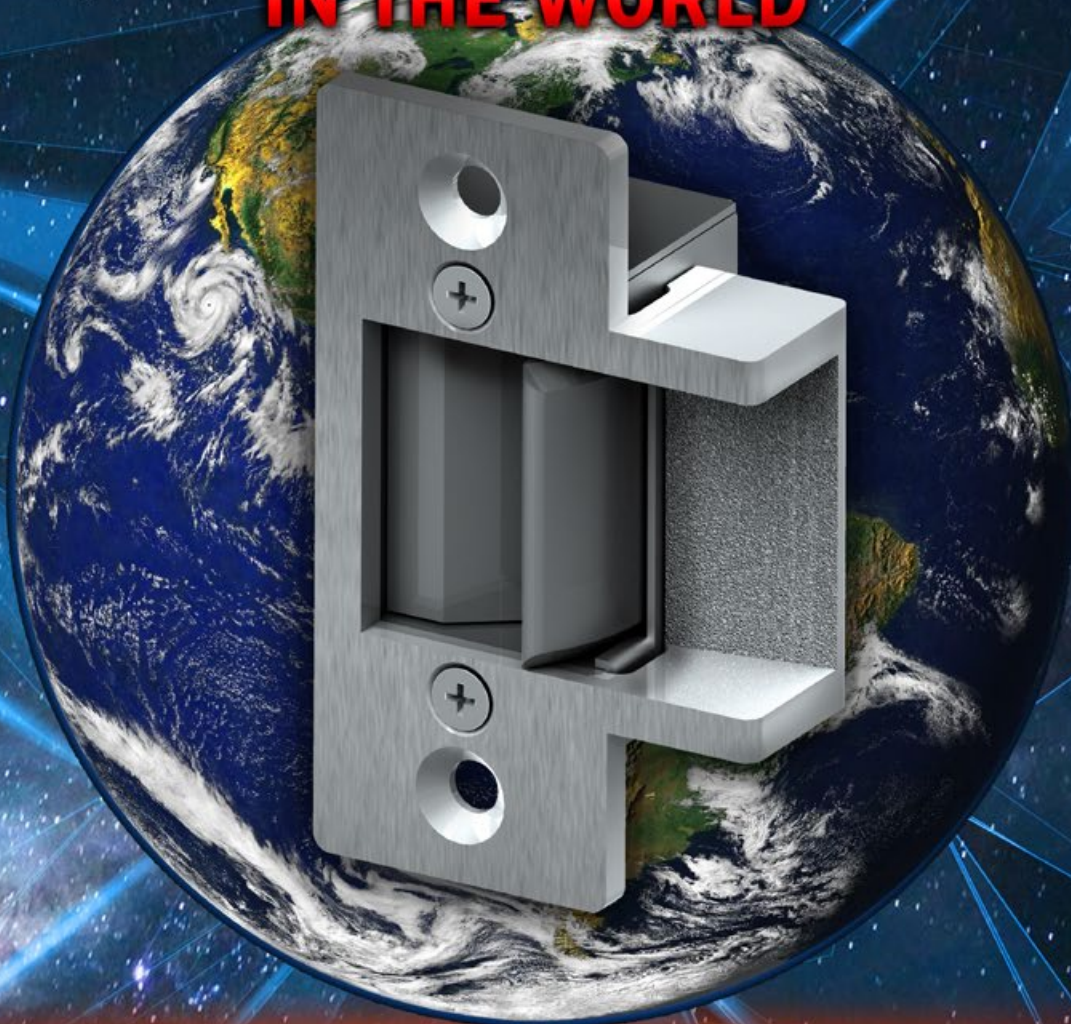
<b>MODEL</b>	<b>DESCRIPTION</b>	<b>Price:</b>
<b>LC-100</b>	External unit that operates on 11 through 29 AC/DC input and provides inductive kickback and surge protection. When used with the EN Series, 12DC must be selected and the LC100 must be located within 10' of the electric strike.	<b>\$45</b>
<b>EN-CA-12DC</b>	Coil Assembly (Orange/White Wire Leads)	<b>\$41</b>
<b>EN-CA-24DC</b>	Coil Assembly (Black/White Wire Leads)	<b>\$41</b>
<b>EN-CA-12AC</b>	Coil Assembly (Blue/Orange & White Wire Leads)	<b>\$41</b>
<b>EN-CA-24AC</b>	Coil Assembly (Blue/Black & White Wire Leads)	<b>\$41</b>
<b>EN-SLR-RS</b>	(1) Fail Safe Slider for 430/435 Units	<b>\$30</b>
<b>TRS</b>	(2) Tamper-Resistant Torx® #12-24 Screws	<b>\$6</b>
<b>EN-TS</b>	Trim Skirt (Not for use with 950 & 960)	<b>\$20</b>
<b>EN-LSK</b>	EN Latch Shim Kit for horizontal cavity adjustment.	<b>\$10</b>
<b>ESK-1</b>	EN Service Kit: <ul style="list-style-type: none"> <li>• (1) Latch spring</li> <li>• (2) PFH 12-24x1" mounting screws &amp; (2) PFH 6-32 x 1/8" cover screws</li> <li>• (2) Wire nut caps &amp; (1) assembly pin and instruction sheet</li> </ul>	<b>\$10</b>
<b>BZ-12</b>	Buzzer for 12 DC operation	<b>\$14</b>
<b>BZ-24</b>	Buzzer for 24 DC operation	<b>\$14</b>
<b>EN400-Gatebox</b>	The weldable gate box solution for use with the EN400 & EN400RP Outdoor rated electric strikes. (Steel gatebox is <u>Not Finished</u> ).	<b>\$45</b>
<b>EN400-Gatebox-AL</b>	The aluminum gate box solution for use with the EN400 & 400RP.	<b>\$75</b>

**EN400-Gatebox & EN400-Gatebox-AL Dimensions**



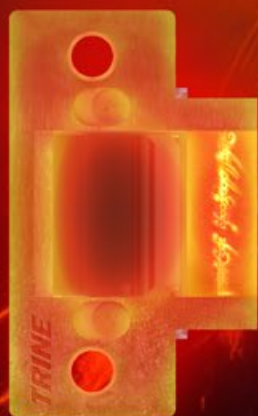
# **THE ONE BOX SOLUTION**

## **THE SMALLEST ELECTRIC STRIKE IN THE WORLD**



# **THE \*NEW\* 323478F-LC**

## **FIRE RATED CYLINDRICAL LOCK SOLUTION**



**THE SMALLEST  
ELECTRIC STRIKE  
IN THE WORLD  
IS NOW FIRE RATED**



## Key Features

- GRADE 1
- Accepts up to 5/8" latch throw
- 500,000 + life cycles
- 1,500 + lbs. holding force (1,200 lbs. for 334, 3234W)
- Dynamic Force 70 ft/lb.
- Fail-secure - standard action (unlocks with power)
- Fail-safe Option - "RS" (locks with power)

## Standards

- BHMA - A156.31
- BHMA Grade 1 - All models (except 334)
- BHMA Grade 2 - 334

**Note:** 3000 series not recommended for use on uncovered exterior doors.

## LC100

Install it up to 15' away from the mechanism.

An external line conditioner regulating input voltages, 11-29 AC/DC, and conditions the output for the activation period. Reduces holding voltage for continuous operation and reduced heat. Provides current/voltage surge & kickback protection.

**Price: \$45**

## Options

Piezo Buzzer for "Standard Models"

- **BZ-12:** Audible buzzer for 12DC power
- **BZ-24:** Audible buzzer for 24DC power

**Price:**

**\$14**

Piezo Buzzer for "LC Models"

- **BZ-6:** Audible buzzer for 6DC power

**3000-AK:** Accessories Kit for the 3000 series:

Includes: (2) 1/8" strike shims. (2) 1/16" faceplate shims  
(2) 1/8" Horizontal adjustment tabs. (2) Long faceplate screws. (2) Short faceplate screws.

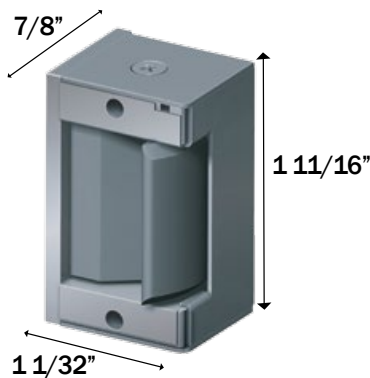
**Price: \$20**

MODEL	VOLTAGE	CURRENT/AMPS	OHMS	DUTY	SOUND	WIRE COLOR
<b>3012</b>	12VDC	.480	25	Intermittent	Silent	Blue
<b>3024</b>	24VDC	.240	100	Intermittent	Silent	White
MODEL	VOLTAGE	PULL IN/HOLD AMPS	OHMS	DUTY	SOUND	WIRE COLOR
<b>30LC/ 30RS</b>	12VDC	.743/.298	13	Intermittent/Continuous	Silent	Red
	12VAC	.715/.277	13	Intermittent/Continuous	Silent	Red
	24VDC	.397/.170	13	Intermittent/Continuous	Silent	Red
	24VAC	.378/.173	13	Intermittent/Continuous	Silent	Red

## 3012 & 3024 Mechanism

Included spacers increase cavity depth up to 1/8"

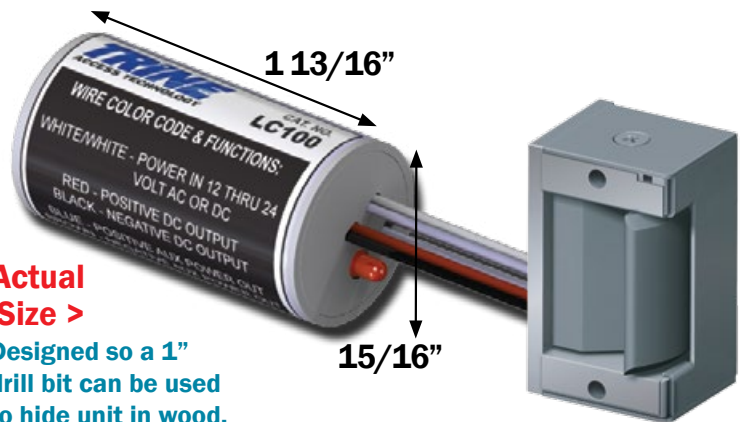
Actual Size >



## 30LC & 30RS Mechanism

Actual Size >

Designed so a 1" drill bit can be used to hide unit in wood.



The LC100 can be used on the 30LC & 30RS ONLY and placed up to 15' feet away!

Model	Voltage	Function	Duty	Price:
<b>3012</b>	12DC	Fail Secure	Intermittent	<b>\$145</b>
<b>3024</b>	24DC	Fail Secure	Intermittent	<b>\$145</b>

Item	Voltage	Function	Duty	Price:
<b>30LC</b>	11-29AC/DC	Fail Secure	Continuous	<b>\$179</b>
<b>30RS</b>	11-29AC/DC	Fail Safe	Continuous	<b>\$179</b>

**Now pick a Faceplate - starting on page 36**

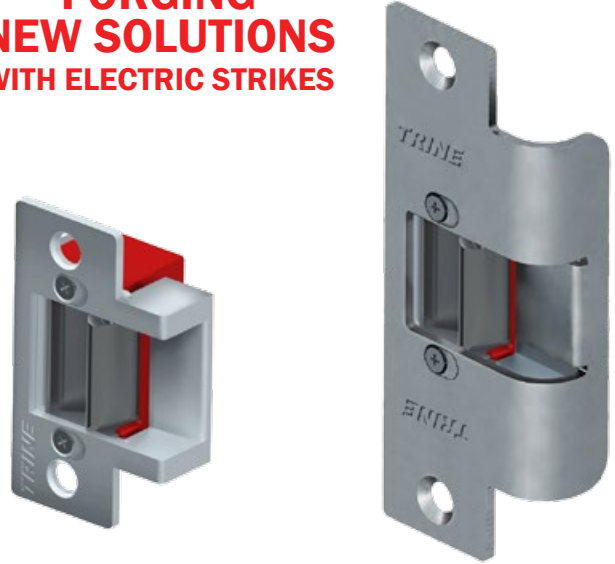
**\*\*NEW\*\* FIRE RATED  
SMALLEST ELECTRIC STRIKE IN THE WORLD**



# 323478F-LC

- 1" Total Backset
- 1/8" Horizontal Adjustment
- All stainless steel construction
- 12-24 AC & DC - surge & kickback protection
- Includes LC100 & Trim skirt (CCFP)

**FORGING  
NEW SOLUTIONS  
WITH ELECTRIC STRIKES**



**Standards:**

- 3-hour fire rated – UL10C, Fire Tests of Door Assemblies.
- ANSI/BHMA A156.31-2007

NOTE: WH fire listing is void when using fail safe action.



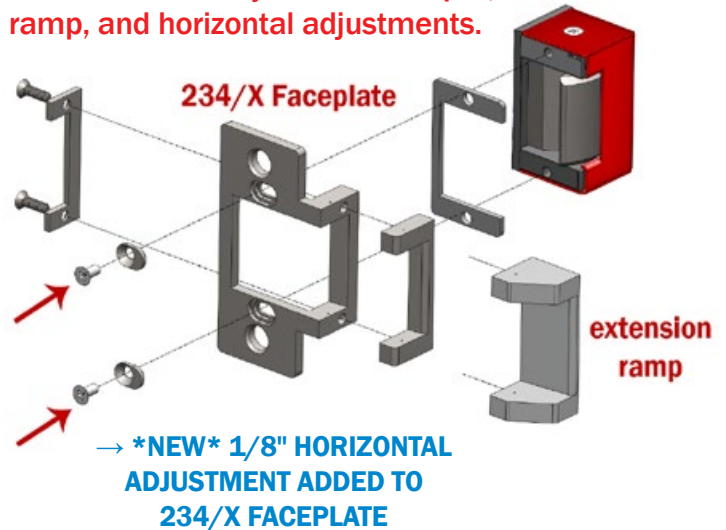
**Need an  
Installation Tool  
See page 51**

The best way to mark and cut the 323478F-LC use the ANSI-ITL

Refer to pg 33 for electrical characteristics.

<b>Price:</b>	
323478F-LC-32D (Satin Stainless Steel – BHMA630)	<b>\$399</b>
323478F-LC-DKBZ (Dark Bronze Powder Coat)	<b>\$419</b>

The most flexible system with depth, ramp, and horizontal adjustments.

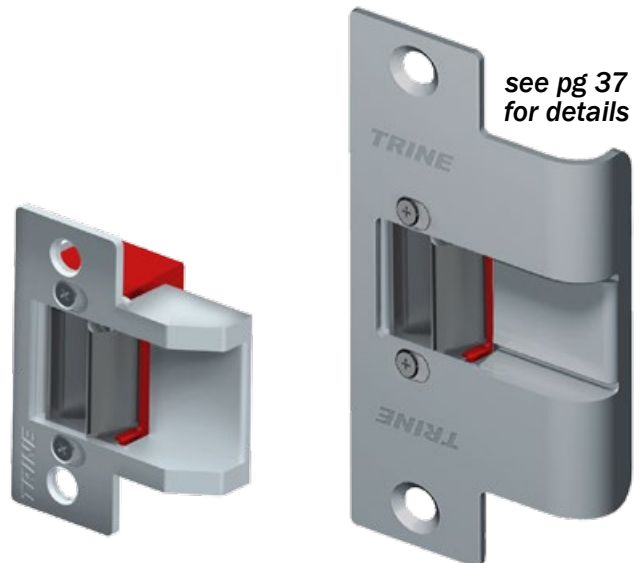


# 323478FX-LC

- As above.
- Contains the 478X-375 Faceplate for Timely®/Redi®/Raco Frames (instead of the 478 Faceplate.)

Refer to pg 33 for electrical characteristics.

<b>Price:</b>	
323478FX-LC-32D (Satin Stainless Steel – BHMA630)	<b>\$409</b>
323478FX-LC-DKBZ (Dark Bronze Powder Coat)	<b>\$429</b>



FOR CYLINDRICAL LOCKS

# 323478LC KIT

**Price: \$230**

**323478LC Includes:**

- (1) 234-26D – 2 3/4" Faceplate
- (1) 234X-375-26D – 2 3/4" Faceplate with extended ramp
- (1) 478-32D – 4 7/8" Faceplate
- (1) 478-CCFP - Competitor Cutout Filler Plate
- (1) 30LC - 11-29 AC & DC Mechanism



**478-32D**



**478-CCFP**

Covers the cutout left by competitor strikes.  
See pg 36 for more details

**234X-26D**



Designed for Timely®/Redi® Frames. Great for Wood!

**30LC**



**Need an Installation Tool**

**See page 51** The best way to mark and cut in the 323478-LC is the ANSI-ITL.

FOR DEADLATCHES AND ALUMINUM FRAMES

# 3258458LC KIT

**Finishes:**  
**3258458LC-ALUM**  
(Aluminum Powder Coat)  
**3258458LC-DKBZ**  
(Dark Bronze Powder Coat)

**Price: \$260**

**3258458LC Includes:**

- (1) 258 – 2 3/4" Faceplate
- (1) 458LH – 4 5/8" Left Handed Faceplate
- (1) 458RH – 4 5/8" Right Handed Faceplate
- (1) 30LC - 11-29 AC & DC Mechanism

**80% LESS FRAME CUTTING.**

**Smallest aluminum solution available - Great for glass store fronts**

Fills frame preparation for many Adams Rite® Locks without relocating tabs.



**258**



**30LC**



See page 40 for cut out details.

**THE SMALLEST ELECTRIC STRIKE IN THE WORLD**  
**THE 3000 SERIES**

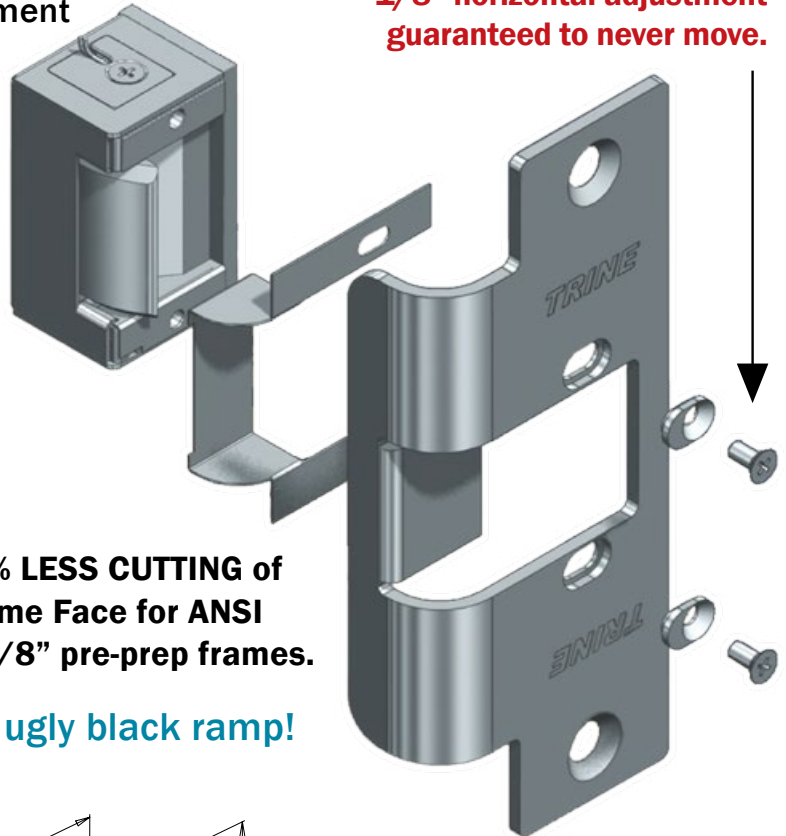


# 478

**Adjustable 4-7/8" ANSI standard faceplate**

For new or replacement installation in wood, metal or aluminum frames. Use with cylindrical locksets having up to 5/8" throw, based on 1/8" door gap.

**\*1/8" horizontal adjustment guaranteed to never move.**

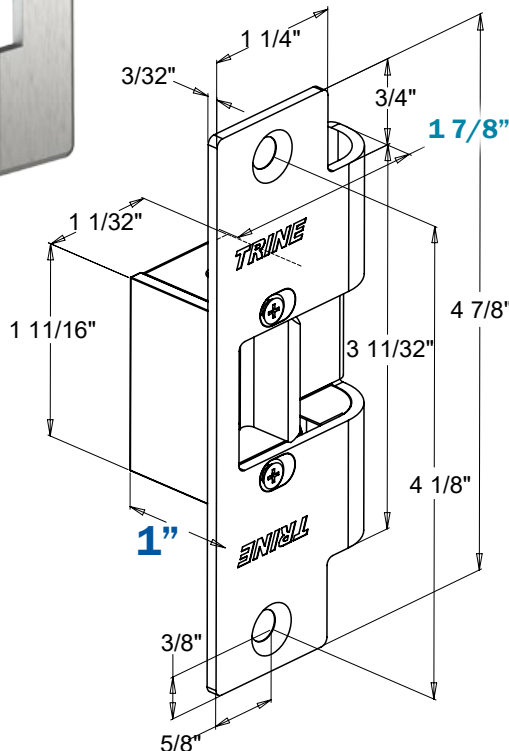
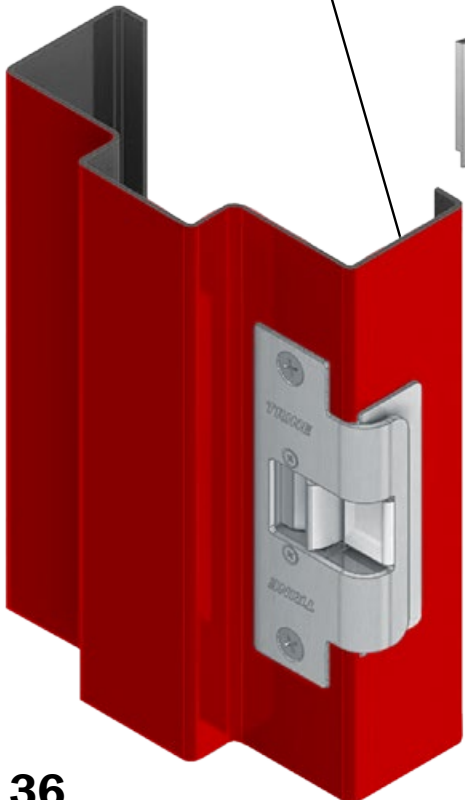


**478-CCFP**  
**INCLUDED WITH THE 478 FACEPLATE!**  
**Competitor Cutout Filler Plate**

**60% LESS CUTTING of Frame Face for ANSI 4 7/8" pre-prep frames.**

**No ugly black ramp!**

Stainless plate designed to fill in the hole left by competitor models.



**Price:**

- 478-32D** (Satin Stainless Steel – BHMA630) **\$34**
- 478-32** (Polished Stainless Steel – BHMA629) **\$58**
- 478-US10B** (Dark Bronze – BHMA613) **\$50**
- 478-US3** (Bright Brass – BHMA605) **\$64**
- 478-US4** (Satin Brass – BHMA606) **\$52**

**RD** (Radiused Corners) **add \$5**

**478RO and 478LO (drop plates) are same cost as above.**

**Match with any 3000 Mechanism: 3012, 3024, 30LC, 30RS**

**Need an Installation Tool**

**See page 51** The best way to mark and cut in the 323478-LC is the ANSI-ITL.

# 478X-375

## Adjustable Extended Lip Faceplate

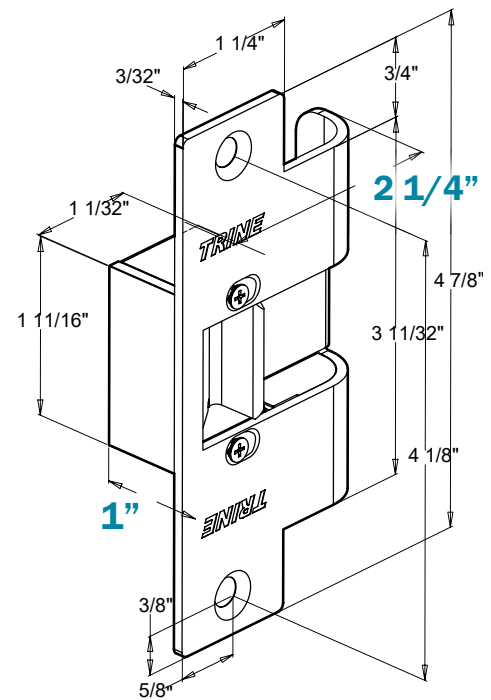


Frame features an extended ramp to accommodate additional face of **Timely®/Redi®/Raco®** frames. Use with cylindrical locksets and deadlatches having up to 5/8" throw, based on 1/8" door gap.

**Provides a finished look for wood frames with trim.**

Made for  
**Timely®/Redi®/Raco®**  
Frames

**Need Fire  
Rated?**  
See pg 34 for  
the  
**323478FX-LC**  
3 hour fire rated  
version



### GOODBYE UNATTRACTIVE BLACK RAMPS!

- Extended ramp (.375") accommodates snap-on additional frame face of Timely® & Redi® Frames.
- Eliminates traditional 4 7/8" ANSI strike cutting and black ramp extensions.
- 1/8" Horizontal Adjustments help prevent door pre-load.

See page 43 for wood and metal frame preps.

### Price:

<b>478X-375-32D</b> (Satin Stainless Steel – BHMA630)	<b>\$48</b>
<b>478X-375-US10B</b> (Dark Bronze – BHMA613)	<b>\$64</b>
<b>478X-375-US3</b> (Bright Brass – BHMA605)	<b>\$71</b>

**RD** (Radiused Corners) **add \$5**

Match with any 3000 Mechanism:  
3012, 3024, 30LC, 30RS

### 478LO / 478RO Faceplate

Same dimensions as 478 - except 3/16" cavity offset.

**60% LESS FRAME CUTTING** of Frame Face for ANSI 4 7/8" pre-prep frames. The strike opening on this face plate is **offset by 3/16"** from the center to accommodate door sag for the 478 (just change faceplates, and use the same mechanism) **Accommodates for door sag.**

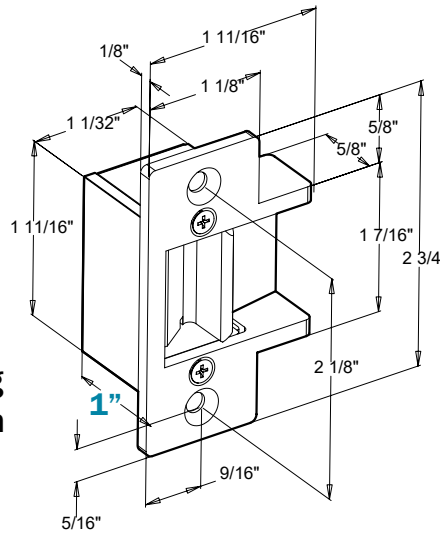
See page 36, the 478,  
for pricing and finish.

# THE SMALLEST ELECTRIC STRIKE IN THE WORLD THE 3000 SERIES



## 234 Faceplate - Smallest Electric Strike in the World

For new or replacement installations in metal frames. Use with cylindrical locksets having up to 5/8" throw, based on 1/8" door gap.



**Price:**

<b>234-26D</b> (Satin Chrome - BHMA651)	<b>\$23</b>
<b>234-US10B</b> (Dark Bronze - BHMA613)	<b>\$26</b>
<b>234-US3</b> (Bright Brass - BHMA605)	<b>\$34</b>
<b>234-US4</b> (Satin Brass - BHMA606)	<b>\$26</b>

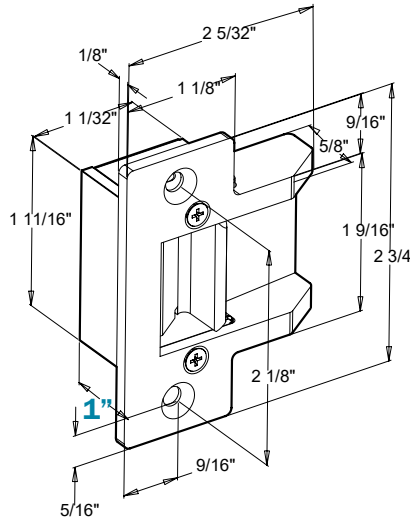
**Match with any 3000 Mechanism:**  
3012, 3024, 30LC, 30RS



## 234X-375 Extended Faceplate

Standard ANSI prep features an extended ramp to accommodate additional face of Timely®/Redi®

frames. Ramp is extended 3/8". For new or replacement installations. Use with cylindrical locksets having up to 5/8" throw, based on 1/8" door gap.



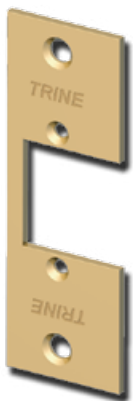
**Price:**

<b>234X-375-26D</b> (Satin Chrome - BHMA651)	<b>\$28</b>
<b>234X-375-US10B</b> (Dark Bronze - BHMA613)	<b>\$31</b>
<b>234X-375-US3</b> (Bright Brass - BHMA605)	<b>\$38</b>

**Match with any 3000 Mechanism:**  
3012, 3024, 30LC, 30RS

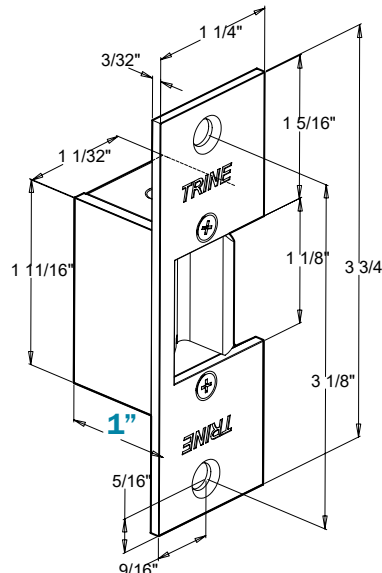
**Great for wood frames!**

**Made for Timely®/Redi® Frames**



## 334 Faceplate

For new or replacement installations in wood frames. Use with cylindrical locksets with up to 5/8" throw, based on 1/8" door gap.



**Price:**

<b>334-26D</b> (Satin Chrome - BHMA651)	<b>\$28</b>
<b>334-US3</b> (Bright Brass - BHMA605)	<b>\$32</b>
<b>334-US4</b> (Satin Brass - BHMA606)	<b>\$28</b>

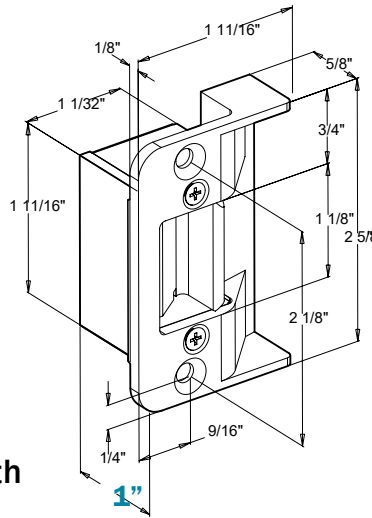
**Match with any 3000 Mechanism:**  
3012, 3024, 30LC, 30RS



**258 Faceplate**

80% less frame cutting when compared to typical 4 7/8" electric strike installations.

For new or replacement installations in aluminum frames. Use with 4510, 4710 & 4750 Adams Rite® dead latches. Replaces 4502 strike plate with slight modification.



**Price:**

<b>258-26D</b> (Satin Chrome – BHMA651)	<b>\$30</b>
<b>258-US10B</b> (Dark Bronze – BHMA613)	<b>\$33</b>

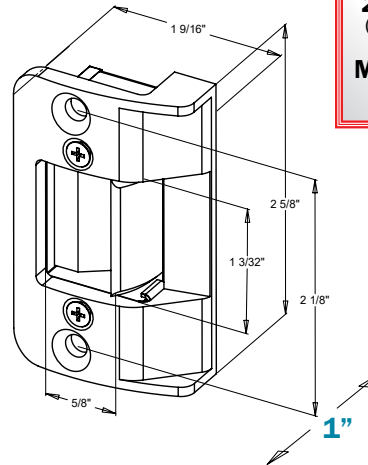
**Match with any 3000 Mechanism:**  
3012, 3024, 30LC, 30RS



**258RD Radius Faceplate**

80% less door cutting when compared to typical 4 7/8" electric strike installations.

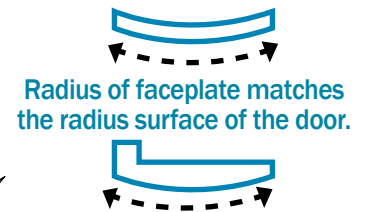
For new or replacement installations in aluminum doors. Use with 4510, 4710 & 4750 Adams Rite® dead latches. Replaces 4502 & 4900 strike plate with slight modification.



**Price:**

<b>258RD-26D</b> (Satin Chrome – BHMA651)	<b>\$30</b>
<b>258RD-US10B</b> (Dark Bronze – BHMA613)	<b>\$33</b>

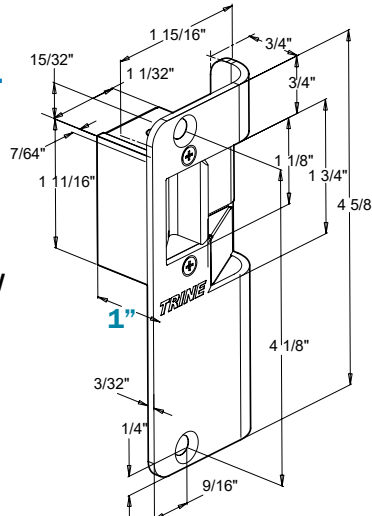
**Match with any 3000 Mechanism:**  
3012, 3024, 30LC, 30RS



**458 Faceplate**

80% LESS FRAME CUTTING.

Fills the frame preparation of Adams Rite® MS Locks without relocating tabs for 6 7/8" electric strikes. For new or replacement installations in aluminum frames. Replaces Adams Rite® 4730/4501 strike plate with slight frame modification.



**Price:**

<b>458-ALUM</b> (Aluminum Powder Coat)	<b>\$54</b>
<b>458-DKBZ</b> (Dark Bronze Powder Coat)	<b>\$54</b>

**Match with any 3000 Mechanism:**  
3012, 3024, 30LC, 30RS

**\*\*Must Specify Handing\*\***  
RH or LH

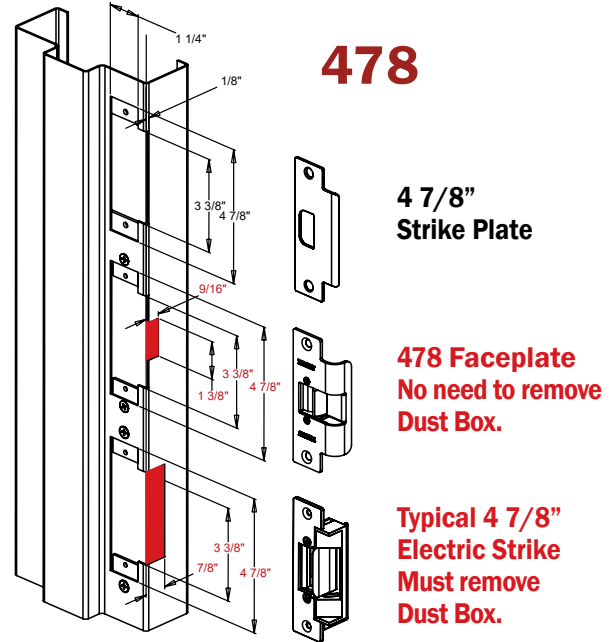
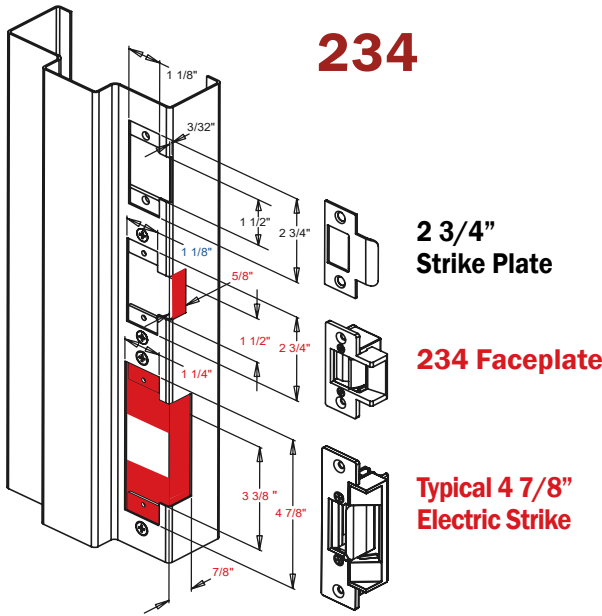
RH-Right Handed Strike Shown

Note: Faceplates are now powder coated.

# LESS CUTTING IS BETTER THE 3000 SERIES

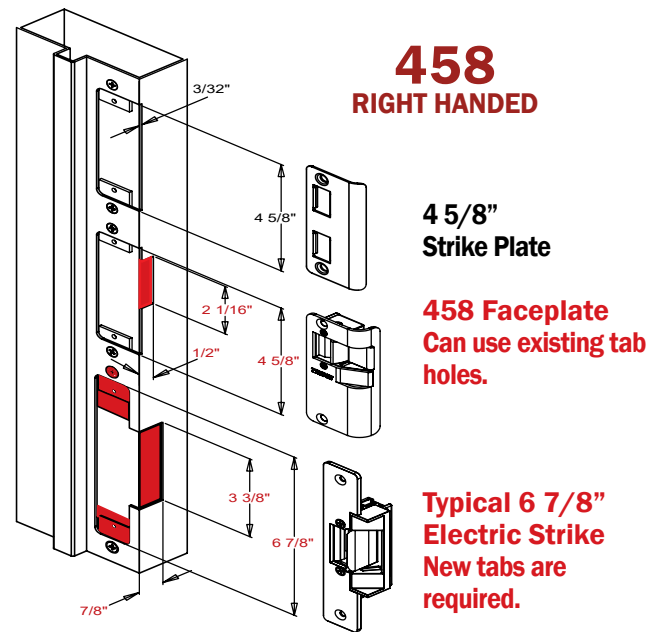
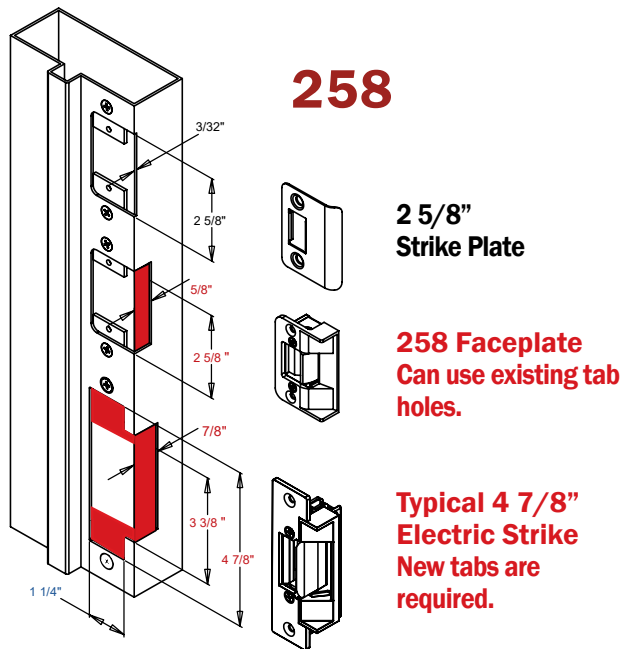


## ANSI FACEPLATE SOLUTIONS



**RED ON DIAGRAMS = AMOUNT OF CUTTING**

## ALUMINUM FACEPLATE SOLUTIONS

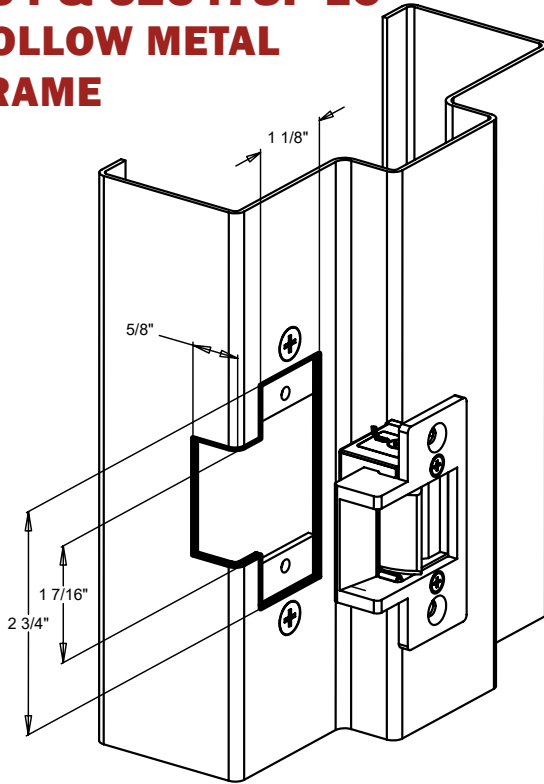


**3000 SERIES STRIKES REDUCE AMOUNT OF LABOR, TIME, AND MATERIAL LOST ON DOOR FRAME**

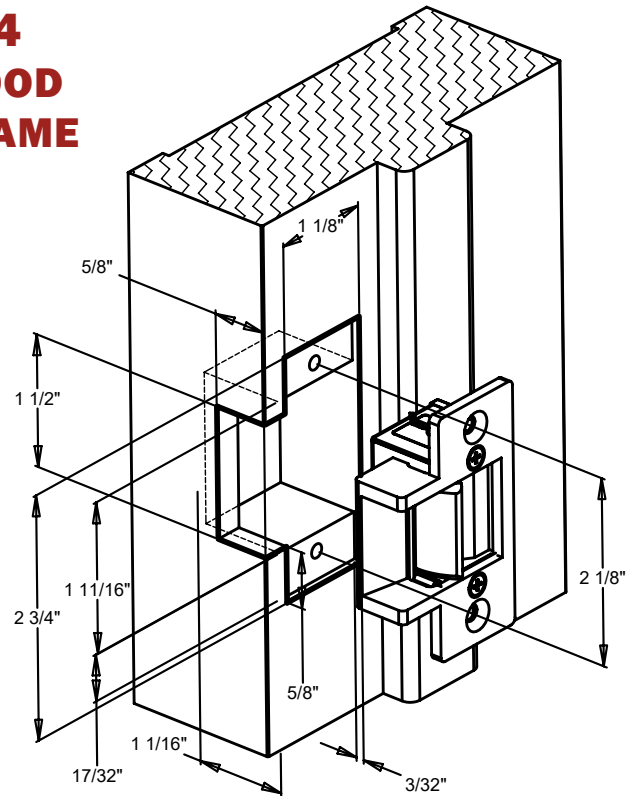
**Note: 3000 series strikes not recommended for use on uncovered exterior doors.**



**234 & 323478F-LC**  
**HOLLOW METAL**  
**FRAME**

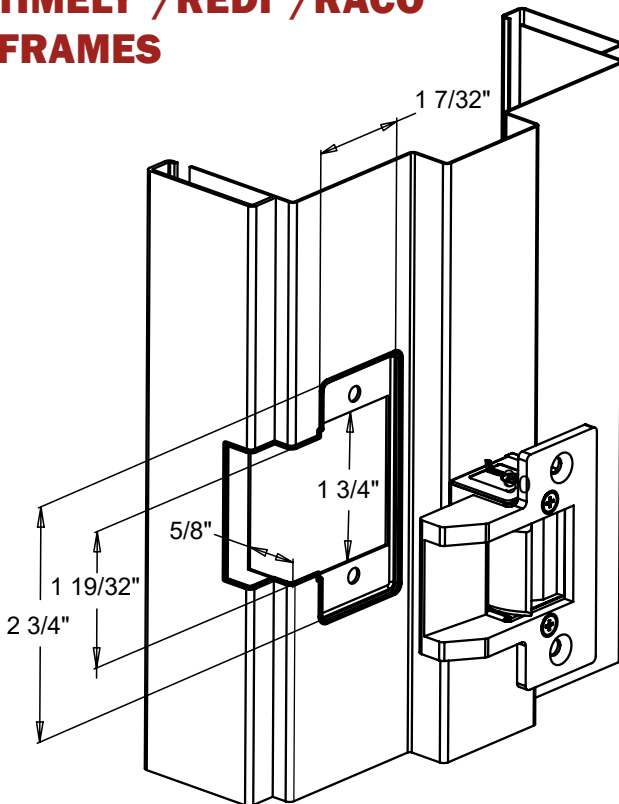


**234**  
**WOOD**  
**FRAME**

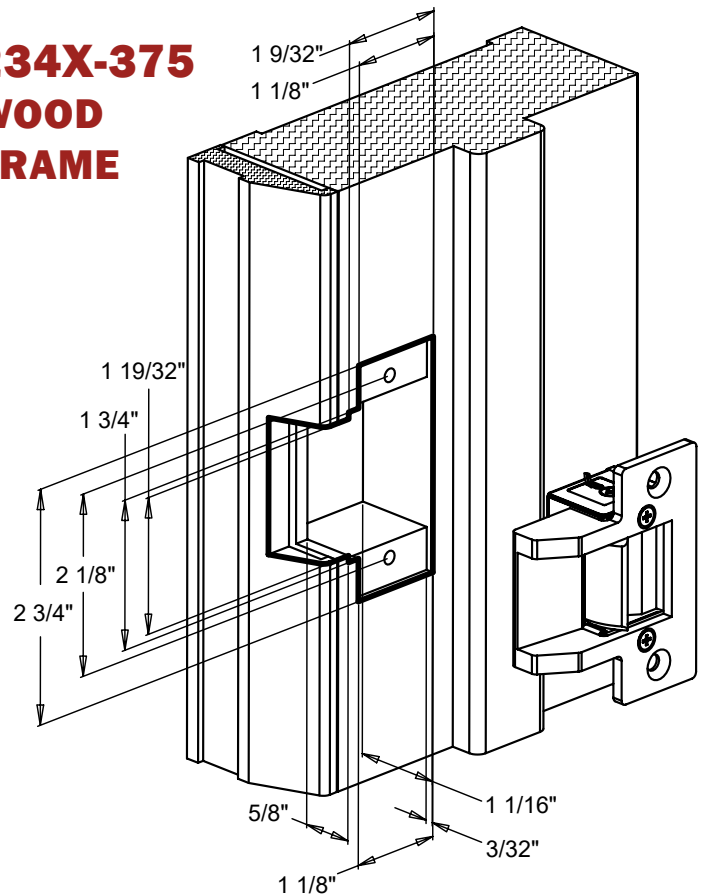


NOTE: USE 2 INCH LONG (OR LONGER) WOOD SCREWS FOR MOUNTING.

**234X-375 & 323478FX-LC**  
**TIMELY®/REDI®/RACO®**  
**FRAMES**



**234X-375**  
**WOOD**  
**FRAME**

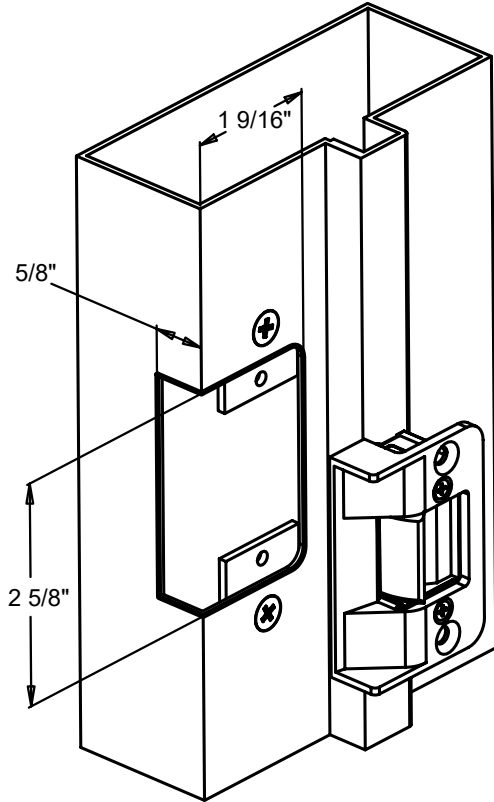


NOTE: USE 2 INCH LONG (OR LONGER) WOOD SCREWS FOR MOUNTING.

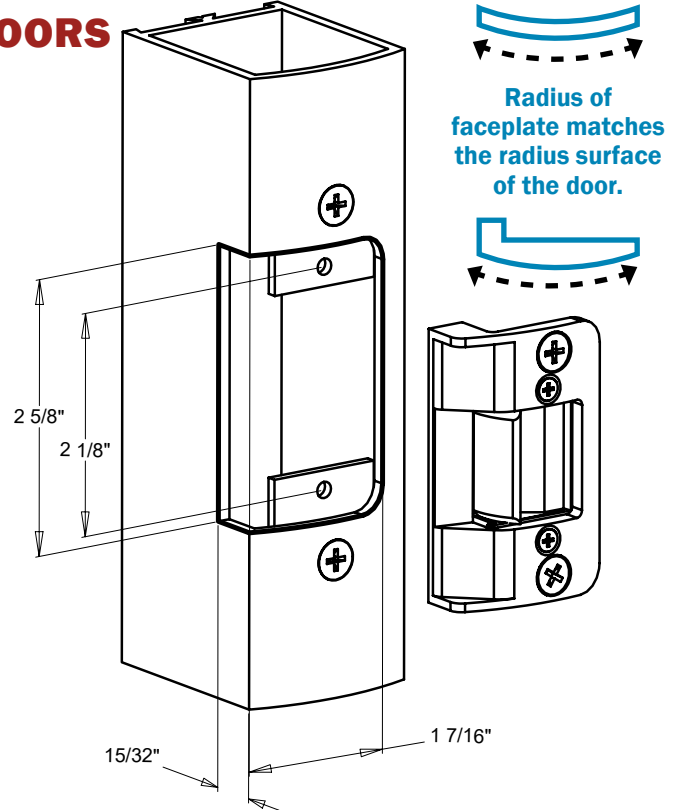
# FRAME PREPS THE 3000 SERIES



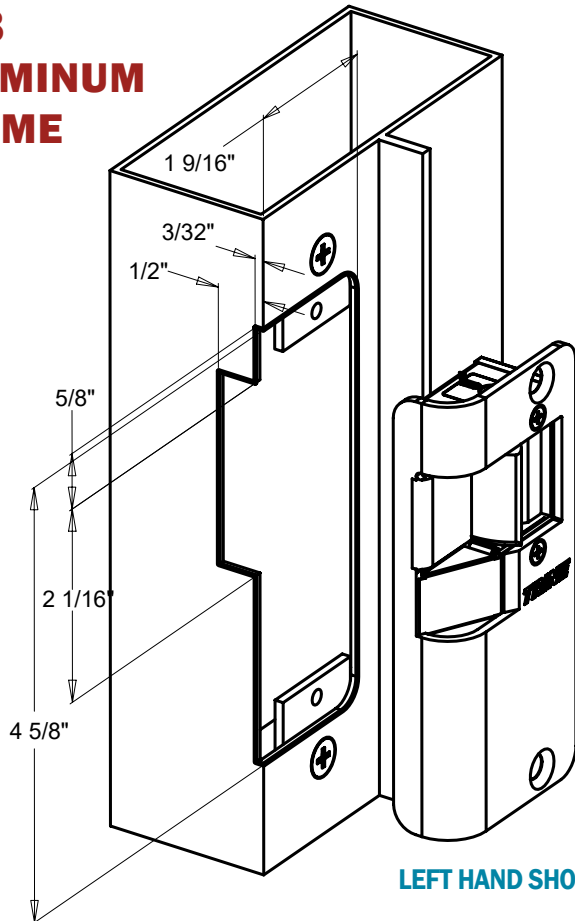
## 258 ALUMINUM FRAME



## 258RD ALUMINUM DOORS

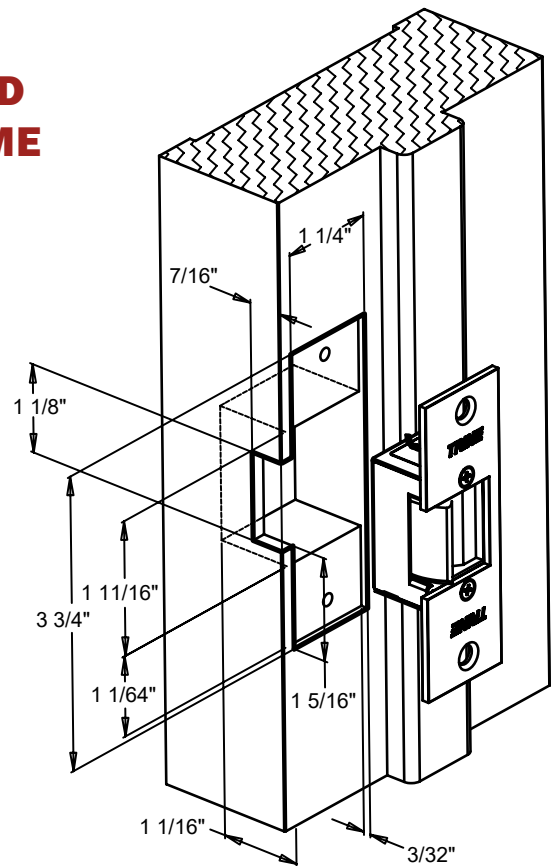


## 458 ALUMINUM FRAME



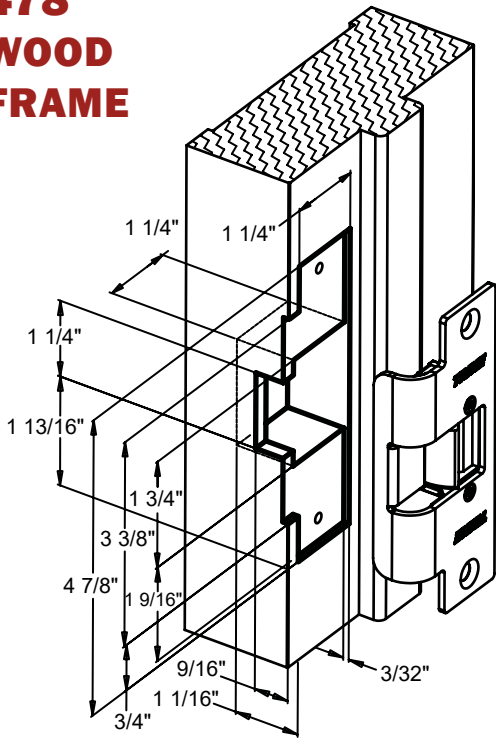
LEFT HAND SHOWN

## 334 WOOD FRAME



NOTE: USE 2 INCH LONG (OR LONGER) WOOD SCREWS FOR MOUNTING.

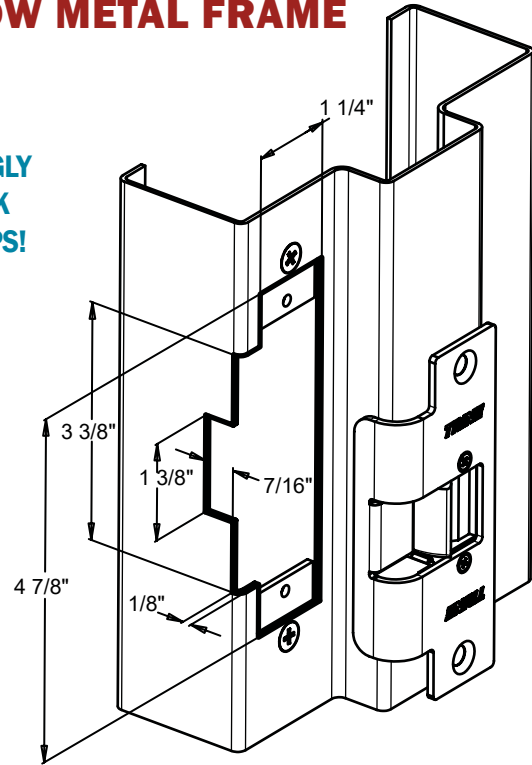
**478**  
**WOOD**  
**FRAME**



NOTE: USE 2 INCH LONG (OR LONGER) WOOD SCREWS FOR MOUNTING.

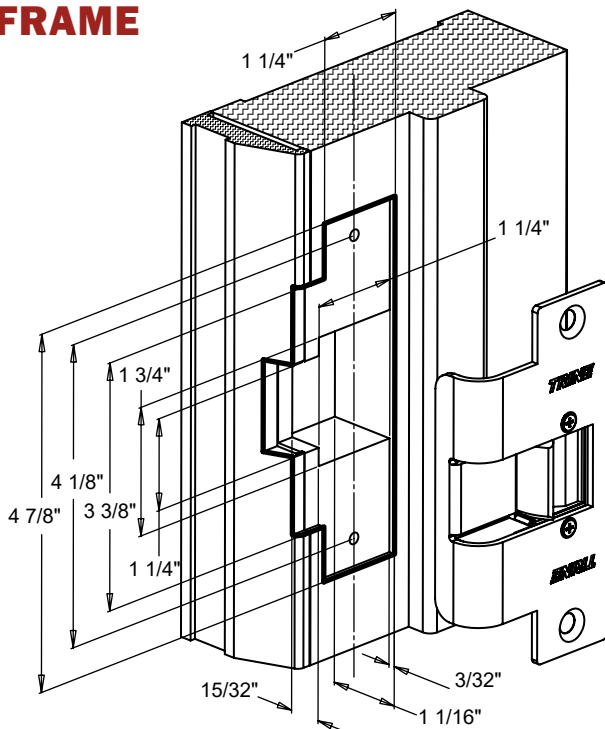
**478 & 323478F-LC**  
**HOLLOW METAL FRAME**

NO UGLY  
BLACK  
RAMPS!



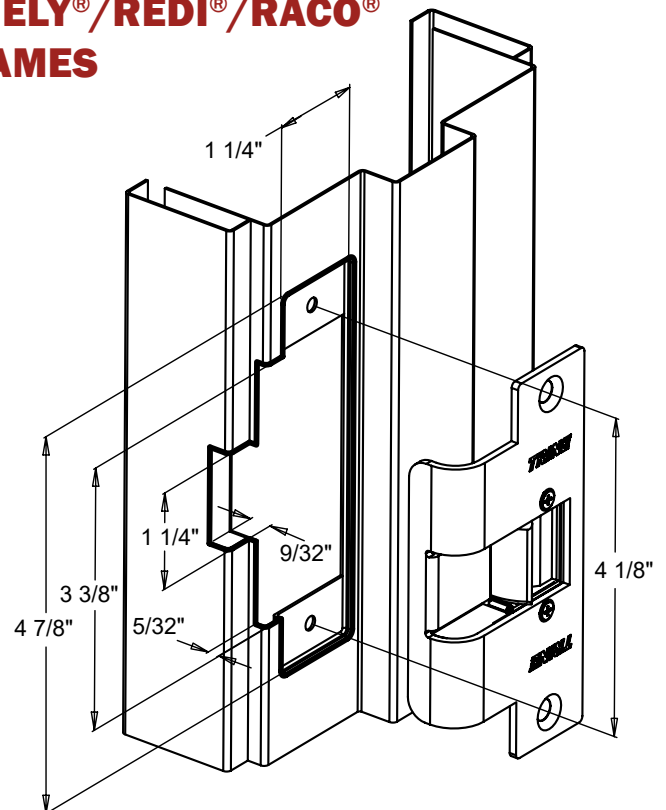
**478X-375**  
**WOOD**  
**FRAME**

BEST LOOKING WOOD  
INSTALLATION



NOTE: USE 2 INCH LONG (OR LONGER) WOOD SCREWS FOR MOUNTING.

**478X-375 & 323478FX-LC**  
**TIMELY®/REDI®/RACO®**  
**FRAMES**



# **Light Commercial Electric Strikes**



**What started  
it all!**

# Light Commercial Electric Strikes

# 00 Series

Light Commercial Strikes

## FEATURES

- Durability - 500,000 Life Cycles
- Holding Force - 1000 lbs
- Only 1 Moving Part Locking Mechanism
- Non-Handed Operation
- Heavy Duty Latch Spring
- Fail Secure-Standard Action (Unlocks with Power)

Voltage	Amps	Ohms	Sound	Duty	Wire Color
8-16VAC/4-6VDC	1.3-2.7	1.4	Buzz	Intermittent	Black
12VDC	0.40	30.0	Silent	Continuous	Red/White
24VAC	1.40	4.7	Buzz	Intermittent	Red
24VDC	0.19	125.0	Silent	Continuous	Black/White



## 001

For use in new or replacement installations in wood and metal jambs. For use with locksets having up to 5/8" throw, based on 1/8" door gap.

Face Plate 5-7/8" x 1-1/4" – Mortise Backset 1-9/16" – Cavity Depth 1/2" – Cavity Width 9/16" – Cavity Height 1-1/2"

### Price:

<b>001</b> (Brass Powder Coated)	<b>\$51</b>
<b>001C</b> (Satin Chrome – BHMA651)	<b>\$58</b>
<b>RS</b> (Fail Safe) - For DC Models only.	<b>add \$20</b>



## 002

For use in new or replacement installations in wood and metal jambs. Auxiliary lever ramps for use with locksets which contain dead locking levers. Use with locksets having up to 5/8" throw, based on 1/8" door gap.

Face Plate 7-15/16" x 1-7/16" – Auxiliary Ramp 2-7/8" – Mortise Backset 1-9/16" – Cavity Depth 1/2" – Cavity Width 9/16" – Cavity Height 1-1/2"

### Price:

<b>002</b> (Aluminum Powder Coated)	<b>\$82</b>
<b>002DB</b> (Dark Bronze Powder Coated)	<b>\$87</b>
<b>RS</b> (Fail Safe) - For DC Models only.	<b>add \$20</b>



## 003

For surface mount installations on wood or metal jambs for in swinging applications with surface mount. Use with locksets and night latches having up to 5/8" throw, based on 1/8" door gap. When mounted on a pair of doors, strike is mounted to the inactive leaf.

Surface Mount – Case 4-11/16" x 1-1/4" – Cavity Depth 1/2" – Cavity Width 9/16" – Cavity Height 1-1/2"

### Price:

<b>003</b> (Grey Moulded Cover)	<b>\$91</b>
<b>RS</b> (Fail Safe) - For DC Models only.	<b>add \$20</b>



## 004

For new or replacement installations in wood jambs. Use with locksets with individual dead bolts. **Dead bolts cannot be released electrically.** Use with locksets having up to 5/8" throw, based on 1/8" door gap.

Face Plate 6-1/4" x 1-3/8" – Dead bolt Knockouts Top & Bottom 1-11/16" x 9/16" – Mortise Backset 2-3/4" – Cavity Depth 1/2" – Cavity Width 9/16" – Cavity Height 1-1/2"

### Price:

<b>004</b> (Brass Powder Coated)	<b>\$95</b>
<b>004C</b> (Satin Chrome – BHMA651)	<b>\$100</b>
<b>004DB</b> (Dark Bronze Powder Coated)	<b>\$100</b>
<b>RS</b> (Fail Safe) - For DC Models only.	<b>add \$20</b>

# 00 Series



## 005

For use in replacement installations in wood jambs and iron gates. Use with bored cylindrical locksets having up to 5/8" throw, based on 1/8" door gap.

**Face Plate** 3-1/2" x 1-3/8" – **Mortise Backset** 2-3/4" – **Cavity Depth** 1/2" – **Cavity Width** 9/16" – **Cavity Height** 1-1/2"

<b>Price:</b>	
<b>005</b> (Brass Powder Coated)	<b>\$62</b>
<b>005C</b> (Satin Chrome – BHMA651)	<b>\$68</b>
<b>RS</b> (Fail Safe) - For DC Models only.	<b>add \$20</b>



## HD005

Screwed-on Faceplate and reinforced Latch Pin provide additional strength for **HEAVY DUTY** installations.

For use in replacement installations in wood jambs and iron gates. Use with bored cylindrical locksets having up to 5/8" throw, based on 1/8" door gap.

**Face Plate** 3-1/2" x 1-3/8" – **Mortise Backset** 2-3/4" – **Cavity Depth** 1/2" – **Cavity Width** 9/16" – **Cavity Height** 1-1/2"

<b>Price:</b>	
<b>HD005</b> (Brass Powder Coated)	<b>\$80</b>
<b>HD005C</b> (Satin Chrome – BHMA651)	<b>\$86</b>
<b>RS</b> (Fail Safe) - For DC Models only.	<b>add \$20</b>



## S005

For use in replacement installations in wood jambs and iron gates. Use with bored cylindrical locksets having up to 3/4" throw, based on 1/8" door gap.

**Face Plate** 3-1/2" x 1-3/8" – **Mortise Backset** 2-7/8" – **Cavity Depth** 5/8" – **Cavity Width** 23/32" – **Cavity Height** 1-1/2"

<b>Price:</b>	
<b>S005</b> (Brass Powder Coated)	<b>\$72</b>
<b>S005C</b> (Satin Chrome – BHMA651)	<b>\$79</b>
<b>RS</b> (Fail Safe) - For DC Models only.	<b>add \$20</b>



## 006

For surface mount installations on metal or wood jambs, for in swinging applications. Use with locksets or night latches having up to 5/8" throw, based on 1/8" door gap. When mounted on a pair or doors, strike is mounted to the inactive leaf.

**Case** 2-1/8" x 1-3/16" – **Surface Mounted** – **Die Cast Housing** – **Cavity Depth** 1/2" – **Cavity Width** 1/2" – **Cavity Height** 1-3/8"

<b>Price:</b>	
<b>006</b> (Brass Powder Coated)	<b>\$99</b>
<b>RS</b> (Fail Safe) - For DC Models only.	<b>add \$20</b>



## 007

For use in new or replacement installations in wood jambs. Use with locksets having up to 3/4" throw, based on 1/8" door gap.

**Face Plate** 4-7/8" x 1-1/4" – **Mortise Backset** 2-7/8" – **Cavity Depth** 5/8" – **Cavity Width** 3/4" – **Cavity Height** 1-1/2"

<b>Price:</b>	
<b>007</b> (Brass Powder Coated)	<b>\$99</b>
<b>007C</b> (Satin Chrome – BHMA651)	<b>\$104</b>
<b>RS</b> (Fail Safe) - For DC Models only.	<b>add \$20</b>

# Light Commercial Electric Strikes

# ANSI 01 Series

Light Commercial Strikes

## FEATURES

- Durability - 300,000 Life Cycles
- Holding Force - 1200 lbs
- Solid Brass Locking System
- Cast Steel Latch
- Heavy Duty Latch Spring

Voltage	Current/Amps	Ohms	Sound	Duty
10-16VAC	0.60 - 0.90	10.0	Buzz	Intermittent
12VDC	0.50	10.0	Silent	Intermittent
24VAC	0.42	47.0	Buzz	Intermittent
24VDC	0.20	119.0	Silent	Continuous



## 012

For new or replacement installations in metal jambs. Use with locksets having up to 5/8" throw, based on 1/8" door gap.

- Face Plate 4-7/8" x 1-1/4"
- Mortise Backset 1-5/8"
- Cavity Depth 9/16"
- Cavity Width 9/16"
- Cavity Height 1-1/2"

### Price:

<b>012</b> (Brass Powder Coated)	<b>\$118</b>
<b>012C</b> (Satin Chrome - BHMA651)	<b>\$122</b>
<b>RS</b> (Fail Safe) - 24DC Model only.	<b>add \$30</b>

## FEATURES

- Miniature Design
- Die Cast Case
- Solid Cast Latch - Chrome Plated
- Non-Handed
- Heavy Duty Latch Spring

Voltage	Current/Amps	Ohms	Sound	Duty
10-16VAC	0.82 - 1.44	6.8	Buzz	Intermittent
12VDC	0.184	65.0	Silent	Continuous
24VAC	0.895	14.0	Buzz	Intermittent
24VDC	0.100	240.0	Silent	Continuous



## 014

For new or replacement installations in metal jambs. Use with locksets having up to 5/8" throw, based on 1/8" door gap.

- Face Plate 2-3/4" x 1-1/8"
- Mortise Backset 1-1/4"
- Cavity Depth 1/2"
- Cavity Width 5/8"
- Cavity Height 1-1/8"

### Price:

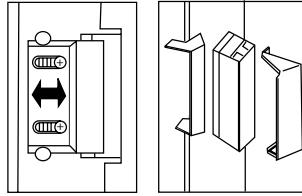
<b>014</b> (Brass Powder Coated)	<b>\$94</b>
<b>014C</b> (Satin Chrome - BHMA651)	<b>\$100</b>

# The Adjustable 2000 Series



## FEATURES

- Allows adjustment for wider latch bolts & poorly aligned doors & locksets
- **1/8" Horizontal Latch Adjustment**
- Releases Under Slight Door Preload
- Life Cycles - 500,000
- **Holding Force - 900 lbs**
- Solid Cast Latch - Chrome Plated
- Non-Handed Operation



Voltage	Current/Amps	Ohms	Sound	Duty
6-14VAC	0.44 - 1.10	8.5	Buzz	Intermittent
6-14VDC	0.70 - 1.60	8.5	Silent	Intermittent
16-24VAC	0.22 - 0.33	50.0	Buzz	Intermittent
16-24VDC	0.32 - 0.47	50.0	Silent	Intermittent
12VDC	0.200	60.0	Silent	Continuous
24VDC	0.12	120.0	Silent	Continuous

## 2001

For use in new or replacement wood or metal jamb installations with locksets having up to 5/8" throw, based on 1/8" door gap.

Face Plate 5-7/8" x 1-1/4" – Narrow Style Face Plate – Mortise Backset 1-9/16" – Cavity Depth 9/16" – Cavity Width 5/8" – Cavity Height 1-11/16"

**NOT AVAILABLE IN FAIL-SAFE FUNCTION. SEE 001 ON PAGE 45**

Price:	
2001 (Brass Powder Coated)	<b>\$91</b>
2001C (Satin Chrome – BHMA651)	<b>\$97</b>

## 2002

For use in new or replacement, aluminum or hollow, metal jamb installations. Auxiliary lever ramps for use with locksets containing dead-locking levers. Use with latch bolts having up to 5/8" throw, based on 1/8" door gap.

Face Plate 7-15/16" x 1-7/16" – Auxiliary Ramp Height 2-7/8" – Mortise Backset 1-9/16" – Cavity Depth 9/16" – Cavity Width 5/8" – Cavity Height 1-11/16"

Price:	
2002 (Aluminum Powder Coated)	<b>\$106</b>
2002DB (Dark Bronze Powder Coated)	<b>\$110</b>
RS (Fail Safe) - For DC Models only.	<b>add \$20</b>

## 2002WR

For use in new or replacement, aluminum or hollow, metal jamb installations. Auxiliary lever ramps for use with locksets containing dead-locking levers. Use with locksets having up to 5/8" throw, based on 1/8" door gap.

Steel Face Plate 7-15/16" x 1-7/16" – Auxiliary Ramp Height 3-3/8" – Mortise Backset 1-9/16" – Cavity Depth 9/16" – Cavity Width 5/8" Cavity Height 1-11/16"

Price:	
2002WR (Aluminum Powder Coated)	<b>\$115</b>
2002WRDB (Dark Bronze Powder Coated)	<b>\$118</b>
RS (Fail Safe) - For DC Models only.	<b>add \$20</b>

## 2007

For use in new or replacement installations in metal jambs. Fits a standard 4-7/8" ANSI prep with little jamb modification. Use with locksets having up to 5/8" throw, based on 1/8" door gap.

Steel Face Plate 4-7/8" x 1-1/4" – Narrow Style Face Plate – Mortise Backset 1-9/16" – Cavity Depth 9/16" – Cavity Width 5/8" – Cavity Height 1-11/16"

Price:	
2007 (Brass Powder Coated)	<b>\$110</b>
2007C (Satin Chrome – BHMA651)	<b>\$115</b>
2007DB (Dark Bronze Powder Coated)	<b>\$115</b>
RS (Fail Safe) - For DC Models only.	<b>add \$20</b>



# Light Commercial Electric Strikes

# The Adjustable 2000 Series

Light Commercial Strikes



## 2009

For use in new or replacement installations in metal jambs. Centerline of the latch is 3/8" below ANSI centerline for offset applications. Fits a standard 4-7/8" ANSI prep with little jamb modification. Use with locksets having up to 5/8" throw, based on 1/8" door gap.

**Steel Face Plate 4-7/8" x 1-1/4"** – Narrow Style Face Plate – Mortise Backset 1-9/16" – Cavity Depth 9/16" – Cavity Width 5/8" – Cavity Height 1-11/16"

### Price:

<b>2009</b> (Brass Powder Coated)	<b>\$118</b>
<b>2009C</b> (Satin Chrome – BHMA651)	<b>\$123</b>
<b>2009DB</b> (Dark Bronze Powder Coated)	<b>\$123</b>

**RS** (Fail Safe)  
- For DC Models only. **add \$20**



## 2012

For use in new or replacement,, aluminum or hollow, metal jamb installations with locksets having up to 5/8" throw, based on 1/8" door gap.

**Steel Face Plate 4-7/8" x 1-1/4"** – Auxiliary Ramp 3-3/8" – Mortise Backset 1-9/16" – Cavity Depth 9/16" – Cavity Width 5/8" – Cavity Height 1-11/16"

### Price:

<b>2012</b> (Brass Powder Coated)	<b>\$122</b>
<b>2012C</b> (Satin Chrome – BHMA651)	<b>\$122</b>
<b>2012DB</b> (Dark Bronze Powder Coated)	<b>\$122</b>

**RS** (Fail Safe)  
- For DC Models only. **add \$20**



## 2678

For use in new or replacement aluminum, or hollow, metal jamb installations. Auxiliary lever ramps for use with locksets containing dead-locking levers. Useful when converting an MS Lock to a dead latch. Up to 5/8" throw, based on 1/8" door gap.

**Face Plate 6-7/8" x 1-1/4"** – Auxiliary Ramp 3-3/8" – Mortise Backset 1-9/16" – Cavity Depth 9/16" – Cavity Width 5/8" – Cavity Height 1-11/16"

### Price:

<b>2678</b> (Satin Aluminum - BHMA 628)	<b>\$119</b>
<b>2678-US10B</b> (Satin Bronze – BHMA639)	<b>\$125</b>

**RS** (Fail Safe)  
- For DC Models only. **add \$20**

# The 1000 Series

## FEATURES

- Releases Under Slight Door Preload
- **Taller latch cavity for easier door alignment.**
- Life Cycles - 500,000
- Holding Force - 1000 lbs
- Non-Handed Operation

Voltage	Current/Amps	Ohms	Sound	Duty
6-14VAC	0.495 - 1.09	8.5	Buzz	Intermittent
6-14VDC	0.650 - 1.24	8.5	Silent	Intermittent
16-24VAC	0.270 - 0.48	50.0	Buzz	Intermittent
16-24VDC	0.380 - 0.61	50.0	Silent	Intermittent



## 1001-2

For use in new or replacement installations in wood and metal jambs. For use with locksets having up to 5/8" throw, based on 1/8" door gap.

**Steel Face Plate 5-7/8" x 1-1/4"** – Narrow Style Face Plate – Mortise Backset 1-1/2" – Cavity Depth 9/16" – Cavity Width 9/16" – Cavity Height 1-11/16"

### Price:

<b>1001-2</b> (Brass Powder Coated)	<b>\$72</b>
<b>1001-2C</b> (Satin Chrome – BHMA651)	<b>\$78</b>



## 1002-2

For use in new or replacement installations in wood and metal jambs. Auxiliary lever ramps for use with locksets which contain dead locking levers. For use with locksets having up to 5/8" throw, based on 1/8" door gap.

**Face Plate 7-15/16" x 1-7/16"** – Auxiliary Ramp 2-7/8" Height – Mortise Backset 1-1/2" – Cavity Depth 9/16" – Cavity Width 9/16" – Cavity Height 1-11/16"

### Price:

<b>1002-2</b> (Aluminum Powder Coated)	<b>\$94</b>
<b>1002-2DB</b> (Dark Bronze Powder Coated)	<b>\$99</b>

# ACCESSORIES

## THE COMPLETELY REDESIGNED 018-4/017TDC-4

NOW UTILIZING ROLLING CODE  
WITH OVER 4+ BILLION CODES  
AND IN A VARIETY OF COLORS.



## THE IMPROVED ANSI-ITL

INSTALL 2-3/4" &  
4-7/8" ELECTRIC  
STRIKES EASIER.



## WIRELESS CHIMES

FAST AND EASY  
INSTALLATION



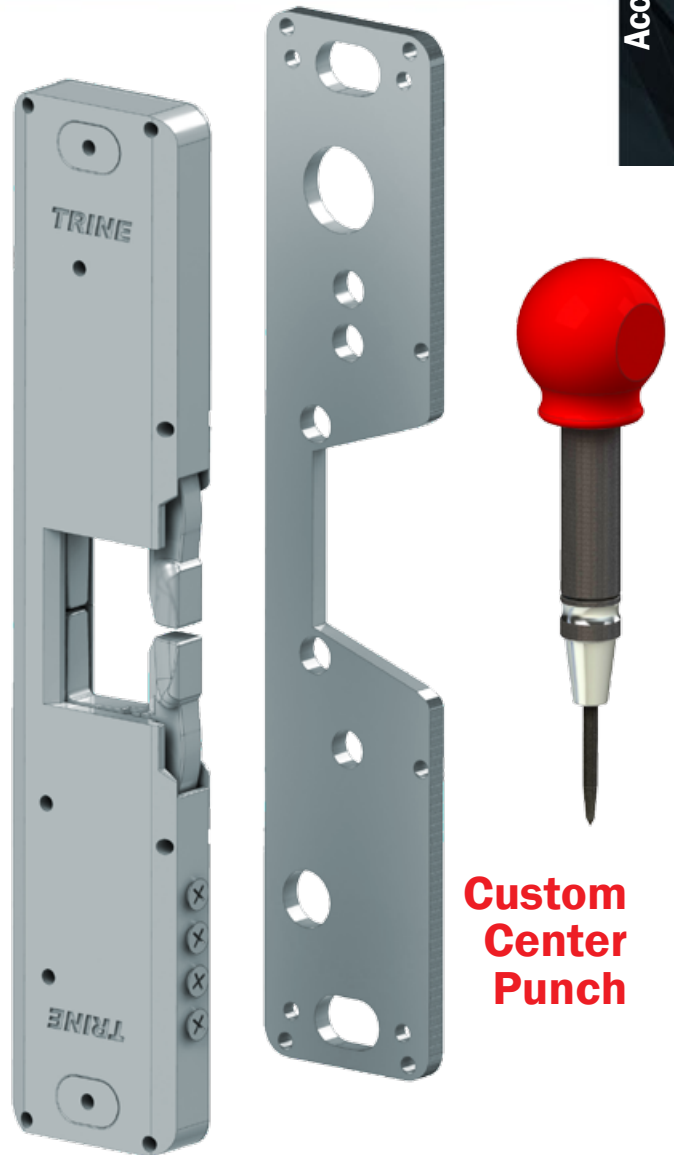
# THE INSTALLATION SOLUTION FOR THE TRINE STRIKES

## 4850-ITL

“Feel” the door work with the strike  
on the frame... then drill.

- 4850-ITL installation tool has magnets installed which allows it to attach to steel frames, so you can:
  - Adjust and center the strike before ever drilling a hole eliminating any mistakes.
  - Increase your installation speed on every job.
- 1/4” Spacer included, so the tool becomes 3/4” thick, and is also magnetized. (screws on side anchor the spacer to the tool)
- Included custom center punch makes precise marks on the frame for drilling. Marks all anchor pin holes, mounting screws, power, and optional LB sensor.
- Patented

**Price:**  
4850-ITL **\$399**



**Custom  
Center  
Punch**



To really see the  
**POWER** of the 4850-ITL  
watch our video...

[Search “4850ITL” on Youtube](#)

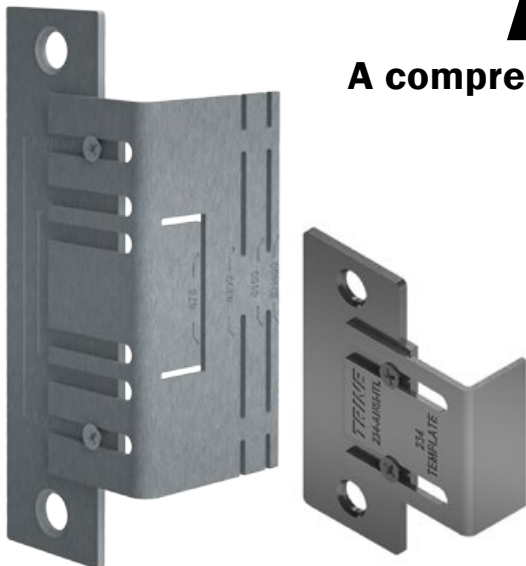
## ANSI-ITL

Improved version!  
This replaces the  
478-ITL.

A comprehensive installation tool for our Premium 2-3/4” and  
4-7/8” ANSI electric strikes

- The ANSI-ITL installation tool was designed to allow you to easily install these popular strikes:
  - 234
  - 234X-375
  - 4100
  - 4100DBDL
  - 4200
  - 478
  - 478X-375
  - EN400
- Screw directly into the pre-existing tabs and mark.
- Carbide tip scribe included
- Adjustability allows for use with Timely®/Redi®/Raco® style frames.

**Price:**  
ANSI-ITL **\$65**



# THE NEW LATCHBOLT MONITORING SOLUTION



## LBM-1

SINGLE SWITCH FOR CYLINDRICAL LOCKS



Note: LBM-1 and LBM-2 are not electric strikes and do not release a latch.

The microswitch used for over 30 years...



IS A THING OF THE PAST.

The life cycle of the old microswitches is far less than the strikes they were connected to. Trine's magnetic reed switch has a life cycle in excess of 2 million cycles.

Part of this durability lies in the moisture and weather resistant nature of the reed switch. The LBM-1 & 2 can work in environments where the old microswitches never could.

## LBM-2

DOUBLE SWITCH FOR MORTISE LOCKS



**Strike Plate is not provided!**

**Strike Plate is not provided!**

### LBM CHARACTERISTICS:

CONTACT FORM:	C
CONTACT RATING:	10W
SWITCHING VOLTAGE:	30V MAX AC/DC
SWITCHING CURRENT:	0.5 A
CONTACT RESISTANCE	
STATIC:	150 MILLIOHM
BREAKDOWN VOLTAGE:	200 VDC
OPERATING TEMP:	-40° - 130° C
RATE:	2,000,000+ CYCLES

**Patent Pending**



**Price:**  
**LBM-1 \$118**

Strike Plate is not provided!

**Price:**  
**LBM-2 \$155**

Strike Plate is not provided!



## 234WB -- STROBE CHIME "See" Your Door Ring!!

- Sound and Sight - 8 note Westminster or 2-note sound with flashing parallel light
- Simply plug-in - as many as desired wherever desired
- Volume control- adjust to desired intensity
- Up to 100 ft. operating range
- 128 selectable channels. Setting the **same** code on multiple devices will allow them to chime at the same time (if within range). Setting **different** codes will allow multiple chimes in proximity to work without interference.
- 80db at 3 feet at max setting
- 6 Foot-Candles strobe output
- FCC-IC approved, UL, CSA recognized

**Price:**

**234WB \$87**



## 232 -- BATTERY OPERATED

- Field selectable 2 note or 1 note
- Requires 3 "C" batteries (not included)
- Up to 100ft operating range
- 64 selectable security codes. Setting the **same** code on multiple devices will allow them to chime at the same time (if within range). Setting **different** codes will allow multiple chimes in proximity to work without interference
- A-23 battery included
- FCC-IC approved

**Price:**

**232 \$31**



## 233 -- PLUG IN

- Field selectable 8 note or 2 note
- Plugs into 120VAC outlet
- 128 selectable security codes. Setting the **same** code on multiple devices will allow them to chime at the same time (if within range). Setting **different** codes will allow multiple chimes in proximity to work without interference
- Up to 100 ft. operating range
- A-23 battery included
- UL recognized, FCC-IC approved

**Price:**

**233 \$39**

# New Upgraded Wireless Controller & Transmitter



## 017TDC-4 -- WIRELESS CONTROLLER

NOW UTILIZING ROLLING CODE

- 500' Range
  - 2 Channel receiver and transmitter
  - Independently programmable A & B channel.
  - 4, 8, 16 second delay or alternate action trigger
  - Dry contact relay rated up to 30V @ 5 amps
  - Single push button program erase (for security)
  - Screw terminal connections
  - Up to 8 transmitters per one receiver.
  - FCC-IC approved.
- **Not backwards compatible with any previous 017TDC/018 models.**



Price:	
017TDC-4	<b>\$79</b>

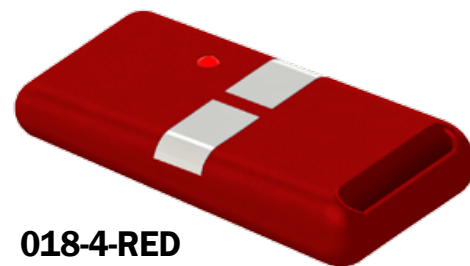
## 018-4 -- WIRELESS TRANSMITTER

TWO BUTTON TRANSMITTER

- Four color options
- 8 transmitters per receiver.
- LED indicates operation
- Rolling Code technology provides self learning and 4+ billions codes.
- A-23 Battery Included
- FCC-IC approved



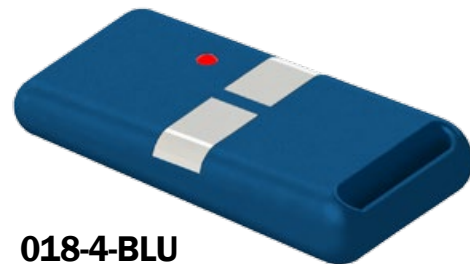
018-4-WHT



018-4-RED



018-4-BLK



018-4-BLU

**PLEASE SPECIFY**  
**COLOR WHEN**  
**ORDERING**

Price:	
018-4-BLK 018-4-BLU 018-4-RED 018-4-WHT	<b>\$33</b>



## 206-2 – MOTION ALERT ANNUNCIATOR

- Moving objects are detected by changes in reflected light
- Battery operated with 2 “C” cells (not included)
- 3 selectable tones, 8 note melody, 2 note repeated, 2 note alternating tone
- Off, high & low volume control switch 77db (low) and 84db (high) @ 3 ft
- Durable white moulded plastic case 3-1/6” x 4-3/8” x 2-3/8”

**Price:**

**206-2      \$27**



## 206-3 – WIRELESS ENTRY/EXIT SIGNAL KIT

- 1 note, 2 note or 8 note melody chime, field selectable
- Wireless battery-operated door contact switch A-23 battery (included)
- Up to **100ft** range – 128 selectable codes. Setting the same code on multiple devices will allow them to chime at the same time (if within range). Setting **different** codes will allow multiple chimes in proximity to work without interference
- Receiver plugs into 120 VAC outlet
- Adjustable volume control, 74db (low) 82db (high) @ 3ft
- UL recognized, FCC-IC approved

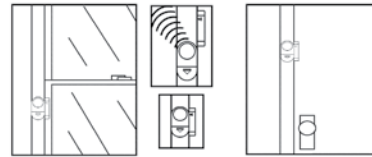
**Price:**

**206-3      \$55**



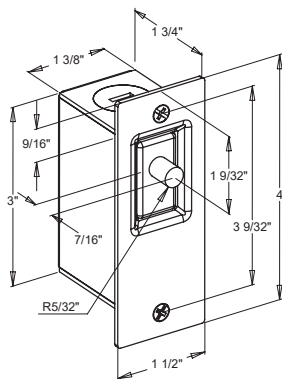
## 215 – WINDOW/DOOR ENTRY/EXIT SIGNAL KIT

- N/O magnetic contact switch activates alarm
- User can set for Chime or 105db alarm sound
- On/Off switch
- No wiring
- (3) **L1154** batteries (included)
- Contacts provided with mounting tape



**Price:**

**215      \$11**

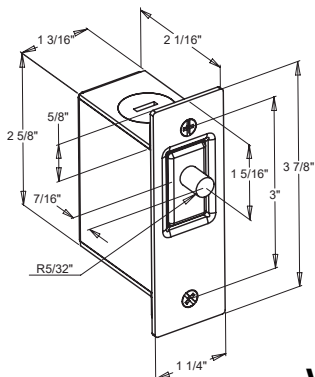


## 340 – ELECTRIC DOOR SWITCH

- Face plate brass finish 4”H x 1-1/2”W
- Box 3”H x 1-3/8”W x 1-3/4”D
- Switch Rating: 120VAC, 10 Amps 250VAC, 5 Amps
- Field selectable N/C or N/O
- Stamped steel case – UL, CSA listed switch & wire leads
- Faceplate Powder Coated Brass
- 4 - knockouts 7/8”

**Price:**

**340      \$20**



## 342 – ELECTRIC DOOR SWITCH (NARROW STYLE)

- Face plate brass finish 3-7/8”H x 1-1/4”W
- Box 2-5/8”H x 1-3/16”W x 2-1/8”D
- Switch Rating: 120VAC, 10 Amps 250VAC, 5 Amps
- Field selectable N/C or N/O
- Stamped steel case – UL, CSA listed switch & wire leads
- Faceplate Powder Coated Brass
- 4 - knockouts 7/8”

**Price:**

**342      \$20**

# Door Chimes, Bells, Buzzers, & Chime Kits



## 201 – CHIME KIT

- (1) White chime base, (2) Unlighted 66W white push buttons, and (1) 16VAC-10VA Hard wire transformer
- Mounting hardware included, excluding wire
- Offers 2 note front door/1 note rear door ability

**Price:**

**201     \$27**



## 203 – CHIME KIT

- (1) White chime base, (1) Lighted 45LG push button, and (1) 16VAC-10VA Hard wire transformer
- Mounting hardware included, excluding wire
- Offers 2 note front door/1 note rear door ability

**Price:**

**203     \$27**



## 240 – CHIME

- Chime base with solid white cover
- Offers 2 note front door/ 1 note rear door ability
- Operating voltage 12-16VAC – Mounting base hardware provided
- 80 db sound at 3 feet – Outer dimension 7-1/4" x 4-3/4" x 1-7/8"

**Price:**

**240     \$28**



## 296 – CHIME

- Chime base with solid white cover
- Offers 2 note front door/1 note rear door ability
- Operating voltage 12-16VAC – Mounting base hardware included
- 75db sound at 3 feet – Outer dimension 1-1/8" x 4" x 2"

**Price:**

**296     \$19**



## 270 – BUZZER

- Enclosed buzzer – 92db sound at 3 feet
- Operating range 3-6VDC, 8-16 VAC, 1 Amp draw
- Aluminum powder coat finish
- Includes mounting hardware

**Price:**

**270     \$15**



## 272 – BELL

- 100 db sound at 3 feet – 2-1/2" open bell
- Operating range 3-6VDC, 8-16 VAC, 1 Amp draw
- Aluminum powder coat finish
- Includes mounting hardware

**Price:**

**272     \$17**



## 274 – BELL

- 100 db sound at 3 feet – 4" open bell
- Operating range 3-6VDC, 8-16 VAC, 1 Amp draw
- Aluminum powder coat finish
- Includes mounting hardware

**Price:**

**274     \$19**



## 275 – ENCLOSED BELL

- 88 db at 3 feet
- Operating range: 3-8VDC, 1.4 Amp draw
- 6-8VAC, 0.7 Amp draw
- Grey finish – Includes mounting hardware

**Price:**

**275     \$21**



## 276 – ENCLOSED BELL & BUZZER

- 88 db at 3 feet
- Operating range: 3-8VDC, 1.4 Amp draw
- 6-8VAC, 0.7 Amp draw
- Grey finish – Includes mounting hardware

**Price:**

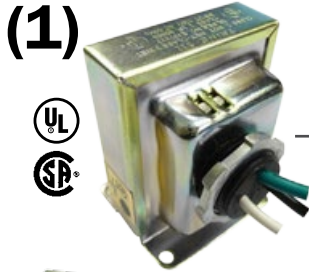
**276     \$25**



# Accessories

# Transformers

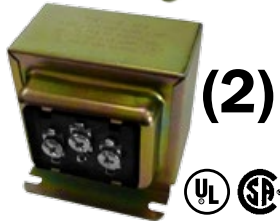
For electric strikes, bells, buzzers, chimes, and other low voltage devices. A complete line of U.L. Listed step down transformers. Easy to install, low voltage, 120AC primary for residential, commercial and industrial uses. Transformers will safely take themselves off line when they overheat. Transformers can be either base mounted or attached to standard knockouts on boxes or cabinets (except plug-in types.) All primary leads are pre-stripped for quick connection.



**(1) 522 – (1) – LOCKNUT TYPE (AC)**

- For standard 1/2" knockouts
- 120 volt primary AC
- 2-5/32"D x 2-1/2"H x 2"W 8oz
- Electric Characteristics: **16VAC – 10VA – 0.625 AMPS**

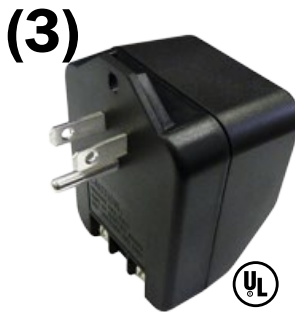
**Price:**  
**522 \$16**



**(2) 525 – (2) – CLAMP ON TYPE/TRI VOLT (AC)**

- Equipped with convenient screw-bracket mounting clamp for standard 1/2" knockouts
- 120 volt primary AC
- 2-1/4"D x 2-3/16"H x 2-5/16"W 13oz
- Electric Characteristics: **8VAC – 10VA – 1.25 AMPS**  
**16VAC – 10VA – 0.62 AMPS**  
**24VAC – 20VA – 0.83 AMPS**

**Price:**  
**525 \$24**



**(3) 598 – (2) – CLAMP ON TYPE/TRI VOLT (AC)**

- Equipped with convenient screw-bracket mounting clamp for standard 1/2" knockouts
- 120 volt primary AC
- 2-15/16"D x 2-7/32"H x 2-11/32"W 11lb 6oz
- Electric Characteristics: **8VAC – 20VA – 2.50 AMPS**  
**16VAC – 30VA – 1.88 AMPS**  
**24VAC – 30VA – 1.25 AMPS**

**Price:**  
**598 \$27**

**(4) 599 – (2) – CLAMP ON TYPE (AC)**

- Equipped with convenient screw-bracket mounting clamp for standard 1/2" knockouts
- 120 volt primary AC
- 2-15/16"D x 2-3/16"H x 2-11/32"W 11lb 6oz
- Electric Characteristics: **24VAC – 40VA – 1.65 AMPS**

**Price:**  
**599 \$28**



**(5) 5201 – (3) – PLUG IN TYPE (AC)**

- 120 volt primary AC
- 2"D x 3"H x 2-1/2"W 7oz
- Electric Characteristics: **24VAC – 20VA – 0.834 AMPS**

**Price:**  
**5201 \$24**

**(6) 5203 – (3) – PLUG IN TYPE (AC)**

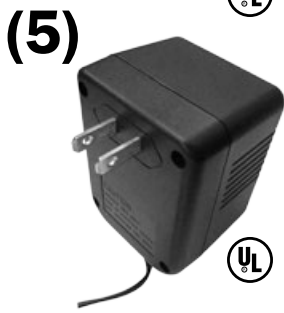
- 120 volt primary AC
- 2"D x 3"H x 2-1/2"W 7oz
- Electric Characteristics: **16VAC – 20VA – 1.250 AMPS**

**Price:**  
**5203 \$24**

**(7) 5204 – (3) – PLUG IN TYPE (AC)**

- 120 volt primary AC
- 2"D x 3"H x 2-1/2"W 7oz
- Electric Characteristics: **12VAC – 20VA – 1.667 AMPS**

**Price:**  
**5204 \$24**



**(8) 5205 – (4) – PLUG IN TYPE/TRI VOLT (AC)**

- 120 volt primary AC
- 2"D x 3"H x 2-1/2"W 7oz
- Electric Characteristics: **8VAC – 10VA – 1.25 AMPS**  
**16VAC – 10VA – 0.62 AMPS**  
**24VAC – 20VA – 0.83 AMPS**

**Price:**  
**5205 \$29**

**(9) 5208 – (5) – PLUG IN TYPE (DC)**

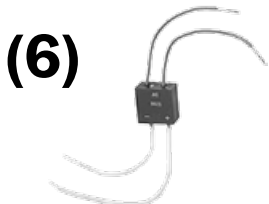
- 120 volt primary AC, Corded output lead
- 2"D x 3-1/4"H x 2-3/8"W 11lb 2oz
- Electric Characteristics: **12VDC – 12VA – 1.00 AMPS**

**Price:**  
**5208 \$31**

**(10) 5209 – (5) – PLUG IN TYPE (DC)**

- 120 volt primary AC, Corded output lead
- 2"D x 3-1/4"H x 2-3/8"W 11lb 2oz
- Electric Characteristics: **24VDC – 12VA – 0.50 AMPS**

**Price:**  
**5209 \$31**



**(11) SR1 – (6) – SILICON RECTIFIER (SR-1) Not Recommended for 4850**

- For converting AC voltage to DC voltage
- For AC power supplies up to 27 volt AC 1 amp.
- Note: DC strikes do not buzz, click only
- Size 1" x 1/2" x 1"
- Electric Characteristics: **12-27VAC – 1.00 AMPS**

**Price:**  
**SR1 \$25**

# Pushbuttons

**\*PUSH BUTTONS MUST BE PURCHASED IN PACKS OF 10 UNLESS NOTED\***

JRP,  
SRP



**JRP – Polished Solid Brass w/ black center**  
1-3/4" Body Diameter – for use up to 30 volts AC or DC

**Price:**  
**JRP** \$7.50

**SRP – Polished Solid Brass w/ black center**  
2-1/4" Body Diameter – for use up to 30 volts AC or DC

**Price:**  
**SRP** \$8.00

45A,  
45LA

45G,  
45LG



**45A – Silver Rim with Pearl Center**  
5/8" Body Diameter – for use up to 30 volts AC or DC

**Price:**  
**45A** \$5.50

**45G – Gold Rim with Pearl Center**  
5/8" Body Diameter – for use up to 30 volts AC or DC

**Price:**  
**45G** \$5.50

**45LA – Silver Rim with Lighted Pearl Center**  
5/8" Body Diameter – for use up to 16 volts AC or DC

**Price:**  
**45LA** \$7.50

**45LG – Gold Rim with Lighted Pearl Center**  
5/8" Body Diameter – for use up to 16 volts AC or DC

**Price:**  
**45LG** \$7.50

## 65P -- Weatherproof Polished Solid Brass

2-1/2" Body Diameter **\*Sold in single packs\***  
for use up to 30 volts AC or DC [go to trineonline.com](http://go.to/trineonline.com) for more info

**Price:**  
**65P** \$52.00



65P

**66B – Black with White Bar Molded Plastic**  
2-3/4"L X 3/4"W X 5/8"H – for use up to 30 volts AC or DC

**Price:**  
**66B** \$5.50

**66C – Silver w/ White Bar Molded Plastic**  
2-3/4"L X 3/4"W X 5/8"H – for use up to 30volts AC or DC

**Price:**  
**66C** \$5.50

**66G – Gold w/ White Bar Plated Molded Plastic**  
2-3/4"L X 3/4"W X 5/8"H – for use up to 30 volts AC or DC

**Price:**  
**66G** \$5.50

**66W – White with White Bar Molded Plastic**  
2-3/4"L X 3/4"W X 5/8"H – for use up to 30 volts AC or DC

**Price:**  
**66W** \$5.50

**66LB – Lighted Black w/ White Bar Molded Plastic**  
2-3/4"L X 3/4"W X 5/8"H – for use up to 16 volts AC or DC

**Price:**  
**66LB** \$8.50

**66LC – Lighted Silver w/ White Bar Plated Molded Plastic**  
2-3/4"L X 3/4"W X 5/8"H – for use up to 16 volts AC or DC

**Price:**  
**66LC** \$8.50

**66LG – Lighted Gold w/ White Bar Plated Molded Plastic**  
2-3/4"L X 3/4"W X 5/8"H – for use up to 16 volts AC or DC

**Price:**  
**66LG** \$8.50

**66LW – Lighted White w/ White Bar Molded Plastic**  
2-3/4"L X 3/4"W X 5/8"H – for use up to 16 volts AC or DC

**Price:**  
**66LW** \$8.50

**71A – Anodized Aluminum Housing w/ Black Bar**  
2-3/4"L X 1"W X 3/4"H – for use up to 30 volts AC or DC

**Price:**  
**71A** \$9.00

**71DB – Dark Bronze Powder Coated Housing w/ Black Bar**  
2-3/4"L X 1"W X 3/4"H – for use up to 30 volts AC or DC

**Price:**  
**71DB** \$9.00

**71G – Anodized Brass Aluminum Housing w/ Black Bar**  
2-3/4"L X 1"W X 3/4"H – for use up to 30 volts AC or DC

**Price:**  
**71G** \$9.00

**71LA – Lighted Anodized Aluminum Housing w/ White Bar**  
2-3/4"L X 1"W X 3/4"H – for use up to 16 volts AC or DC

**Price:**  
**71LA** \$10.00

**71LDB – Dark Bronze Powder Coated Housing w/ White Bar**  
2-3/4"L X 1"W X 3/4"H – for use up to 16 volts AC or DC

**Price:**  
**71LDB** \$10.00

**71LG – Lighted Anodized Brass Aluminum Housing**  
w/ White Bar 2-3/4"L X 1"W X 3/4"H – for use up to 16 volts AC or DC

**Price:**  
**71LG** \$10.00

**91P – Multi-Family, Polished Solid Brass Housing**  
4-3/4"L X 5/8"W X 3/4"H – for use up to 30 volts AC or DC  
**\*Must be ordered in 5 pack quantity**

**Price:**  
**91P** \$18.00

**94P – 3-Button Multi-Family, Polished Solid Brass**  
Housing 7"L X 5/8"W X 3/4"H – for use up to 30 volts AC or DC  
**\*Must be ordered in 5 pack quantity**

**Price:**  
**94P** \$20.00



91P

66  
Series

66B Shown



71 Series

71A & 71G Shown



# Glossary

## ALTERNATING CURRENT (AC)

An electric current that reverses direction in a circuit at regular intervals.

## CONTINUOUS DUTY

A device that is designed to operate continuously without rest.

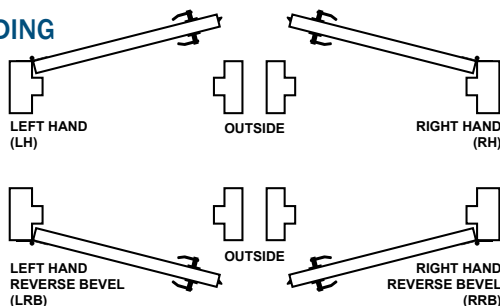
## CURRENT

Measured flow of electrons through an electrical conductor. Normally measured in amperes.

## DIRECT CURRENT

An electric current flowing in one direction.

## DOOR HANDING



HANDING OF DOOR IS ALWAYS DETERMINED FROM THE OUTSIDE.

## FAIL SAFE

A device that is normally open and locks when power is applied to the unit. Example: During a loss of power the device remains open. Often listed as "RS"

## FAIL SECURE

A device that is normally closed or locked until power is applied. Example: During a loss of power the device remains locked.

## FUSE

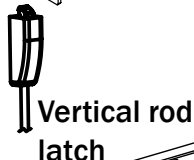
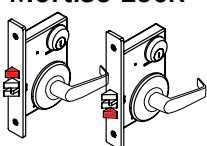
A device that is placed in the path of energy that will break the circuit if the current becomes too great. This is accomplished by having a strip or metal that will melt when the current exceeds the required amount.

## INTERMITTENT DUTY

A device that is designed to operate for a short period of time; generally less than 45 seconds.

## LOCKSET TYPES

### Mortise Lock



### Cylindrical Lock



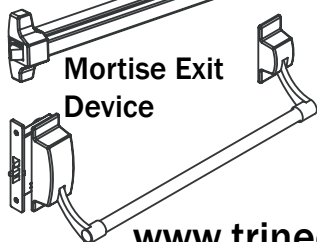
### Dead Latch



### Rim Panic Exit Device



### Mortise Exit Device



## NORMALLY OPEN

The contacts of a switch or relay are normally open or not connected. When activated the contacts close or become connected. EXAMPLE: A switch is not depressed and the circuit is not complete.

## NORMALLY CLOSED

The contacts of a switch or relay are normally closed or connected. When activated the contacts open or become disconnected. EXAMPLE: A switch is not depressed and the circuit is complete.

## OHMS

The measure of resistance of an electrical device to resist the flow of energy.

## RECTIFIER

A device that is commonly used to convert AC to DC. Commonly used to silence the audible sound that an electrical strike can make while energized on AC current.

## RELAY

An electro-magnetic device activated by a variation in conditions in one electric circuit and controlling a larger current or actuating other devices in the same or another electric circuit.

## STANDARD VOLTAGE

Electric door strike supplied with magnetic coils: 4-6VDC/8-16VAC. Electric door strikes supplied with a solenoid coil: 6-10VDC, 10-16VAC: other voltages available.

## TRANSFORMER

A device consisting essentially of two or more coils of insulated wire that transfers alternating current by electro-magnetic induction from one winding to another at the same frequency, but usually with changed voltage & current.

## VOLT

A unit of electric potential equal to the difference of electric potential between two points that have a resistance of one ohm and through which a current of one ampere is flowing.

## VOLTAGE DROP?

We recommend the following wire sizes:

Wire Length	12V	24V
Up to 50 ft.	18 AWG	20 AWG
51-150 ft.	16 AWG	18 AWG
151-300 ft.	14 AWG	16 AWG
301-600 ft.	12 AWG	14 AWG

## WATT

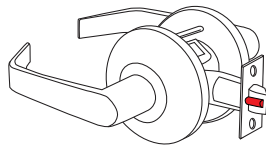
The power developed in a circuit by a current of one ampere flowing through a potential difference of one volt.

# Strike Selector

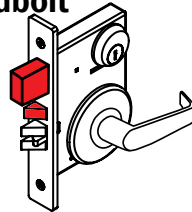


What lockset do you have?

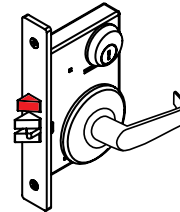
Cylindrical Lock



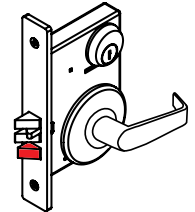
Mortise with a deadbolt



Mortise Lock



Mortise Lock



Your choice of electric strikes are:

**A** C F I J K L M N O

**B**

**A** F\*

**A** C\*

**Intertek**  
3 Hour Fire, 1034, & 294 rated

**4100**

**A**

**SPECIALIZED SOLUTIONS**  
ELECTRIC STRIKE SERIES

**Fire Rated**  
Intertek

Independently operated latches

**4100DBDL**

**B**

294 & Burg Rated  
Intertek

Removeable Fascia to match the frame.

**4200**

**C**

**Surface Mount Strikes**

**4850, 4850PoE, 4850LCD**

**D**

**4800F**

**E**

**UL**

**THE OUTDOOR SOLUTION FOR ELECTRIC STRIKES**

3 Hour Fire, 1034, & 294 rated

**400CMRP**

**F**

## Compatible Door Frames

- Aluminum
- Hollow Metal
- Wood

Use the **4100RX** for **Raco®** frames (covers the extra 1/4" gap in the frame)

- Aluminum
- Hollow Metal
- Wood

**Best strike for allowing deadbolt privacy with an override.**

- Aluminum
- Wood

**ONLY strike with Fascia Color Options -- Match the Fascia to your frame!**

- Aluminum
- Hollow Metal
- Wood

- Hollow Metal
- Wood

**F\*** for use on offset mortise locks in outdoor situations see 430/435 on pg 28

**Formed Sheet Metal**

**Frame Images**

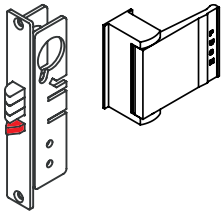
**Hollow Metal Frame**

**Aluminum**

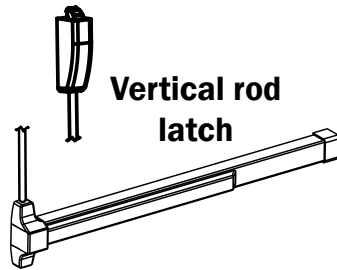
**Wood**  
Use 2" long mounting screws.

\*\*EXAMPLE: PRE-FINISHED FRAMES LIKE TIMELY®, REDI®, RACO®, FRAMEWORKS TYPE-II® WITH SNAP-ON TRIMS.

**Dead Latch**



**A** ^ **C N O**

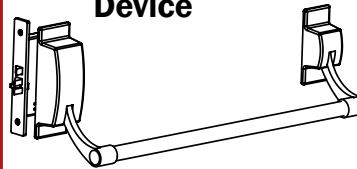


**G**



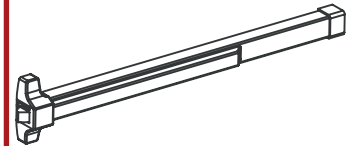
**H**

**Mortise Exit Device**



**A** **F\***

**Rim Panic Exit Device**



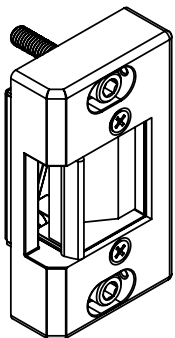
**D E F**

## Smallest Electric Strike in the World

*not recommended for use on uncovered exterior doors.*

**SPECIALIZED SOLUTIONS**  
ELECTRIC STRIKE SERIES

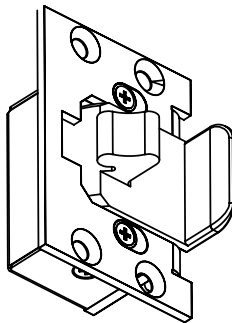
**THE VERTICAL ROD LATCH SOLUTION**



**275VRP-LC**

**G**

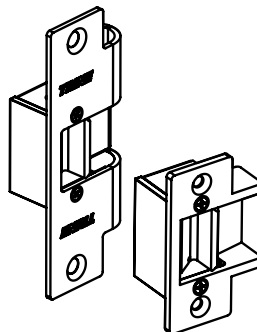
**The Door-O-Matic™ Solution!!!**  
**NEW**



**250SOM-LC**

**H**

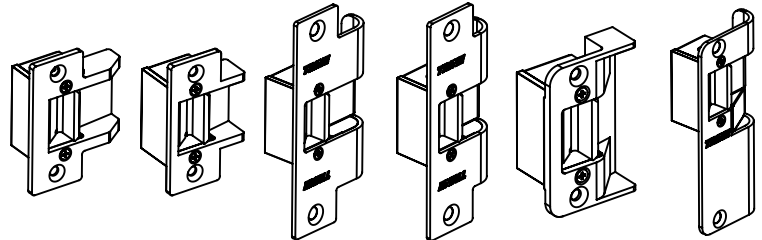
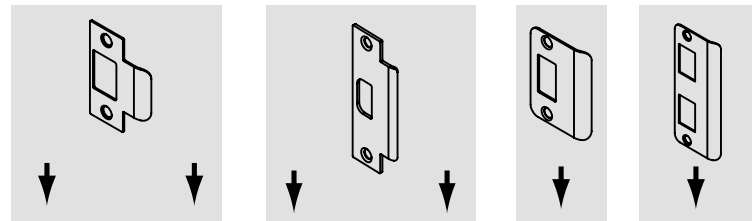
**THE SMALLEST ELECTRIC STRIKE IN THE WORLD IS NOW FIRE RATED**  
**NEW**



**323478F-LC**  
**323478FX-LC**

**I**

**Compatible Strike Plates**



**234X-375**

**234**

**478X-375**

**478**

**258, 258RD**

**458**

**J**

**K**

**L**

**M**

**N**

**O**

## Compatible Door Frames

- Aluminum
- Hollow Metal
- Wood

**2-3/4" WIDE PLATE. FITS IN TIGHT SPOTS IN THE HEADER**

- Aluminum
- Hollow Metal
- Wood

- Aluminum
- Formed Sheet Metal
- Wood

- Formed Sheet Metal
- Wood

- Hollow Metal
- Wood

- Aluminum
- Formed Sheet Metal
- Wood

- Hollow Metal
- Wood

- Aluminum

- Aluminum

# CONDITIONS OF SALE

## Distributors and Other Commercial Customers

Note: The following Conditions of Sale are subject to change: All Sales Transactions are subject to the latest published Conditions of Sale of the Trine Access Technology Corporation and to any Special Conditions of Sale which may be contained in applicable Trine quotations and acknowledgements. Modified product warranties are provided to consumers.

**1. ACCEPTANCE, GOVERNANCE PROVISIONS AND CANCELLATIONS.** No order for Trine Access Technology or services shall be binding upon Trine until accepted by a writing of an authorized official of Trine or by shipment or other performance of such order. Any such order shall be subject to these Conditions of Sale, and acceptance shall be expressly conditioned on assent to such Conditions, which assent shall be deemed given unless purchaser shall expressly notify Trine to the contrary prior to the earlier of any shipment or other performance of an order by Trine or within five (5) days after purchaser's receipt of any acknowledgement or confirmation of such order. Trine expressly reserves the right to reject and withdraw acceptance of any order.

No order accepted by Trine may be altered or modified by purchaser unless agreed to in a writing signed by an authorized official of Trine; and no such order may be cancelled or terminated except upon payment of Trine's loss, damage and expense arising from such cancellation or termination. These Conditions of Sale may not be supplemented or modified by course of dealing, course of performance or any oral communication between the parties. No modified or other conditions will be recognized by Trine unless specifically agreed to in writing and failure of Trine to object to provisions contained in any purchase order or other communication from a purchaser (including, without limitation, penalty clauses of any kind) shall not be construed as a waiver of these Conditions nor an acceptance of any such provisions.

Unless otherwise agreed in writing by a duly authorized representative of Trine, products sold hereunder are not intended for use or in connection with a nuclear facility or activity. If so used, Trine disclaims all liability for any nuclear damage, injury or contamination, and purchaser shall indemnify Trine against any such liability, whether as a result of breach of contract, warranty, tort (including negligence) or otherwise. Any contract for sale and these Conditions shall be governed by and construed according to the laws of the State of Connecticut. Any dispute arising out of or relating to these Conditions of Sale or any matter relating hereto shall be brought in the federal or state courts sitting in or for the Bethel, Connecticut, and the parties waive any objection they may have to the jurisdiction or subject matter of these courts.

**2. QUOTATIONS AND PRICES.** Written quotations are conditioned upon acceptance by purchaser within thirty (30) days from the date issued and shall be considered as offers by Trine to sell during such thirty (30) day period on these Conditions of Sale unless sooner terminated by notice. Other Trine publications are maintained as sources of general information and are not quotations or offers to sell.

All clerical errors are subject to correction.

**MINIMUM ORDER: \$100.00 Net. DROP SHIP FEE: Trine reserves the right to charge a fixed fee of \$10.00 for shipping to an address other than customers.**

All prices are subject to change without notice. In the event of a net price change, the price of equipment on order but unshipped will be adjusted to the price in effect at the time of shipment. Downward adjustment of prices shall apply only to unshipped portions of outstanding orders.

**3. PAYMENT TERMS.** Unless otherwise agreed by Trine, terms of payment for Trine products to purchasers of satisfactory credit are either (1) a 1% cash discount for all invoices paid in full if the payment is received by Trine within 10 days after the date of Trine's invoice or (2) full payment to be received by Trine within 30 days after the date of Trine's invoice. Applicable terms of payment are stated in quotations or on the discount sheet for the product involved. Cash discount will apply only to the net amount of the invoice after transportation charges and taxes. A late charge of 1% per month or the maximum amount permitted by law will be applied to all past due amounts.

Trine reserves the right at any time to demand full or partial payment before proceeding with a contract of sale if, in its judgment, the financial condition of purchaser shall not justify the terms of payment specified. If delivery is delayed or deferred by purchaser beyond the scheduled date, payment shall be due in full when Trine is prepared to ship and the products may be stored at the risk and expense of purchaser. If purchaser defaults when any payment is due, then the whole contract price shall become due and payable upon demand, or Trine, at its option, without prejudice to other lawful remedies, may defer delivery or cancel the contract for sale.

**4. TAXES AND OTHER CHARGES.** Any manufacturer's tax, retailer's occupation tax, use tax, sales tax, excise tax (except the Federal excise tax on vehicles), duty, custom, inspection or testing fee, or other tax, fee or charge of any nature whatsoever, imposed by any governmental authority, on or measured by any transaction between Trine and purchaser, shall be paid by purchaser in addition to the prices quoted or invoiced. In the event Trine shall be required to pay any such tax, fee or charges, purchaser shall reimburse Trine therefore; or, in lieu of such payment, purchaser shall provide Trine at the time the order is submitted with an exemption certificate or other document acceptable to the authority imposing the same. Purchase orders must state the existence and amount of any such tax, fee or charge which it shall be Trine's responsibility to collect from purchaser and pay.

**5. DELIVERY.** Delivery of products to a carrier at any Trine facility or other shipping point shall constitute delivery to purchaser; and, regardless of freight payment, title and all risk of loss or damage in transit shall pass to purchaser at that time. Trine cannot be held responsible for breakage after having received "in good order" receipts from the transportation company. All claims for loss and damage must be made by purchaser to the carrier. Claims for shortages or other errors must be made in writing to Trine within 15 days after receipt of shipment, and failure to give such notice shall constitute unqualified acceptance and a waiver of such claims by purchaser. Unless otherwise agreed by Trine in quotations, discount schedules, catalogs or other Trine publications, all expenses of freight FOB Trine's place of shipment shall be borne by purchaser. No allowance will be made in lieu of transportation if purchaser accepts shipment at factory, warehouse, freight station, or otherwise supplies its own transportation. Method and route of shipment will be at the discretion of Trine unless purchaser shall specify otherwise, and any additional expense of the method or route of shipment specified by purchaser shall be borne by purchaser. Trine reserves the right to make delivery in installments, unless otherwise expressly stipulated in the contract for sale; and all such installments when separately invoiced shall be paid for when due per invoice, without regard to subsequent deliveries. Delay in delivery of any installment shall not relieve purchaser of its obligations to accept remaining deliveries.

**6. SUBSTITUTES.** Trine may furnish suitable substitutes for materials unobtainable because of priorities or regulations established by governmental authority or non-availability of materials from suppliers, and assumes no liability for deviation from published dimensions and descriptive information not essential to proper performance of the products.

**7. WARRANTIES TO DISTRIBUTORS AND OTHER COMMERCIAL CUSTOMERS.** Trine warrants products manufactured by it to be free from defects in materials and workmanship for a period of one (1) year from date of shipment by Trine, except for all Axion (R) labeled products which are covered for two (2) years from date of shipment by Trine. If within such period any such products shall be proved to Trine's satisfaction to be so defective, such products shall be repaired or replaced at Trine's option. This warranty shall not apply (a) to products not manufactured by Trine, (b) to products which shall have been repaired or altered by other than Trine so as, in its judgment, to affect the same adversely, or (c) to equipment which shall have been subjected to negligence, accident or damage by circumstances beyond Trine's control, or to improper operation, maintenance or storage, or to other than normal use or service. With respect to products not manufactured by Trine, the warranty obligations of Trine shall in all respect conform and be limited to the warranty actually extended to Trine by its supplier. The foregoing warranties do not cover reimbursement for transportation, removal, installation, or other expenses which may be incurred in connection with repair or replacement. Except as may be expressly provided in an authorized writing by Trine, Trine shall not be subject to any other obligations or liabilities whatsoever with respect to products manufactured by Trine or services rendered by Trine.

THE FOREGOING WARRANTIES ARE EXCLUSIVE AND IN LIEU OF ALL OTHER EXPRESS AND IMPLIED WARRANTIES, INCLUDING WITHOUT LIMITATION TITLE, MERCHANTABILITY AND FITNESS FOR A PARTICULAR PURPOSE.

**8. LIMITATION OF LIABILITY.** Anything to the contrary herein contained notwithstanding, TRINE ACCESS TECHNOLOGY, ITS CONTRACTORS AND SUPPLIERS OF ANY TIER SHALL NOT BE LIABLE IN CONTRACT, IN TORT (INCLUDING NEGLIGENCE OR STRICT LIABILITY) OR OTHERWISE FOR ANY SPECIAL, INDIRECT, INCIDENTAL CONSEQUENTIAL, PUNITIVE, OR EXEMPLARY DAMAGES WHATSOEVER. The remedies of the purchaser set forth herein are exclusive where so stated and the total cumulative liability of Trine, its contractors and suppliers of any tier, with respect to this contract or anything done in connection therewith, such as the use of any product covered by or furnished under the contract, whether in contract, in tort (including negligence or strict liability) or otherwise, shall not exceed the price of the product or part on which such liability is based. Further, any claim purchaser may have with reference to Trine products or services sold or provided hereunder shall be deemed waived by purchaser unless asserted against Trine in writing within 90 days from the date the purchaser discovered, or should have discovered, the basis for the claim.

**9. RETURN OF EQUIPMENT.** No products may be returned without first obtaining Trine's written permission and a returned goods authorization number. Trine shall issue a credit to purchaser for returned goods, subject to the terms of this paragraph, and purchaser will not be entitled to any other form of reimbursement for returns. Products accepted for credit, not involving a Trine error, shall be subjected to a minimum service charge of \$25.00, or a charge of 20% of invoice, whichever is greater, plus all transportation charges incurred by Trine. THE MINIMUM RESTOCKING CHARGE IS \$25.00. Returned products must be securely packed to reach Trine without damage, any cost incurred by Trine to put the products in first class condition will be charged to purchaser.

**10. PATENTS.** As to products sold to purchaser by Trine, Trine shall defend any suit or proceeding brought against purchaser so far as based on a claim that said products constitute an infringement of any patent of the United States, if notified promptly in writing and given authority, information and assistance at Trine's expense for the defense of the same. In the event of a final award of costs and damages, Trine shall pay such award. In the event the use of said products by purchaser is enjoined in such a suit, Trine shall, at its own expense, either (a) procure for purchaser the right to continue using said products, (b) modify said equipment to render them non-infringing, (c) replace said products with non-infringing products, or (d) refund the purchase price (less depreciation) and the transportation and installation costs of said products. Trine will not be responsible for any compromise or settlement made without its written consent. The foregoing states the entire liability of Trine for patent infringement, and in no event shall Trine be liable if the infringement charge is based on the use of Trine products for a purpose other than that for which sold by Trine, any alteration to the Trine products or the use of the Trine products with any other product or service not manufactured by Trine. As to any products furnished by Trine to purchaser and manufactured in accordance with designs provided by purchaser, purchaser shall defend, indemnify and hold harmless Trine against any award made against Trine for patent, trademark, or copyright infringement.

**11. PATTERNS AND TOOLS.** Notice will be given if special patterns or tools are required to complete any order. Charges for such patterns or tools do not convey title thereto or the right to remove them from Trine's plant. If patterns or tools are not used for a period of two years, Trine shall have the right to scrap them without notice.

**12. FORCE MAJEURE.** Trine shall not be liable in damages or otherwise for delay in shipment or default in delivery for any reason of force majeure or for any cause beyond Trine's reasonable control including, but not limited to (a) an act of nature; (b) government action, war, riots, civil commotion, embargoes or martial laws, (c) Trine's inability to obtain necessary materials from its usual sources of supply, (d) shortage of labor, raw material, production or transportation facilities or other delays in transit, (e) other contingencies of manufacture or shipment. In the event of any delay in Trine's performance due in whole or in part to any cause beyond Trine's reasonable control, Trine shall have such additional time for performance as may be reasonably necessary under the circumstances. Acceptance by purchaser of any goods shall constitute a waiver by purchaser of any claim for damages on account of any delay in delivery of such goods.



# Cross Reference Chart for Premium Electric Strikes

<b>TRINE</b>	Folger Adams	H.E.S.	Von Duprin	Adams Rite	RCI
<b>4200</b>	----	5000	4200 5100	7100 7400	4 Series 6 Series
<b>4100</b>	---- 712/712-75/732 732-75/642CYL <sup>Φ</sup>	4500 1006 <sup>Φ</sup>	6400 <sup>Φ</sup> 6211/6211WF <sup>Φ</sup>	---- 7200 <sup>Φ</sup>	---- 2164 <sup>Φ</sup>
<b>4100DBDL</b>	----	1006CDB ≠	6400 ≠	----	F2 Series ≠
<b>4850</b>	----	9400 <sup>Δ</sup> , 9600	----	----	0563
<b>4800F</b>	----	9500, 9600	6300	----	0162F
<b>4801</b>	----	9700	----	----	----
<b>EN400</b>	712/712-75/732 732-75/642CYL	1006J/7501	6211/6211WF	7200	2114/F4114*
<b>EN430</b>	652SYL	1006KD	6210	----	2134/2334
<b>EN435</b>	652RFL	1006K	6210	----	2124
<b>EN800**</b>	310-4	7000-783S**	6112	74R1	0161
<b>EN850**</b>	310-4	7000-789S**	----	74R2	----
<b>EN950</b>	310-2	7505	6215/6226	----	----
<b>EN950W</b>	310-2W	----	----	----	----
<b>EN960</b>	310-2 3/4	----	6214/6224	----	----
<b>323478LC</b>	----	----	----	----	----
<b>323478F-LC</b>	----	----	----	----	----
<b>234 ∂</b>	----	----	----	----	----
<b>258‡ ∂</b>	----	----	----	----	----
<b>458Ω ∂</b>	----	----	----	----	----
<b>478‡ ∂</b>	----	5000/5200+501	----	7400+	L6514+
<b>478RD‡ ∂</b>	----	5000/5200+501"A"	----	7401+	L6504+
<b>3250SOM-LC</b>	----	----	----	----	----
<b>3275VRP-LC</b>	----	----	----	----	----

- ≠ DBDL for night latch function only. Competition does not have independent latches to allow for levels of override.
- + Strike has 1 1/16" backset vs. 1" backset for 3000 Series.
- Ω Requires 80% less cutting of frame. Fills the frame preparation of the Adams Rite MS Locks without the need To relocate tabs for 6 5/8" or 6 7/8" electric strikes.
- ‡ Requires 60% less frame face cutting other than models listed.
- Δ 9400 backplate means it can only handle up to a 1/2" throw – The 4850 can take up to a 1" throw.
- \* UL 90 Minute Fire Rated
- \*\* All Stainless Steel construction, not fire rated.
- Φ Not a shallow (1 3/8") backset – cannot be used in 2" fire rated frames with 1/2" sheetrock ingress
- ∂ Number is for the Faceplate – use with a 3012, 3024, 30LC, or 30RS Mechanism, see pg 29 for more details.

NOTE: There may be variations in physical size or electrical characteristics between manufacturers. Information in the above chart based on manufacturers' catalogs and reference should be made to manufacturer's catalog for complete detail comparisons.



**Trine Access Technology**  
2 Parklawn Drive, Suite F  
Bethel, CT 06801

**PH: 203-730-1756 || FX:203-730-1781**  
**[www.trineonline.com](http://www.trineonline.com)**

**Effective Date June 1, 2018**