



PARTS PRICE LIST

EFFECTIVE MARCH 1, 2001



jackson
C o r p o r a t i o n

3447 Union Pacific Avenue • Los Angeles, California 90023
323-269-8111

Customer Service Phone 800-533-6229
Fax Numbers: Administration 323-269-1872 • Customer Service 800-888-6855
www.jacksonexit.com • e-mail: custserv@jacksonexit.com



GENERAL INFORMATION

JACKSON CORPORATION

3447 Union Pacific Ave.
Los Angeles, CA 90023
www.jacksonexit.com



Administration

Phone: 323-269-8111
Fax: 323-269-1872
E-mail: Jacksoncorp@Jacksonexit.com

International

Jackson International
P.O. Box 62
Wednesbury, West Midlands
United Kingdom WS10 9JA
Phone: 44-121-568-2111
Fax: 44-121-568-2113

Sales

Phone: 800-533-6229
Fax: 800-888-6855
E-mail: Sales@Jacksonexit.com

Customer Service

Phone: 800-533-6229
Fax: 800-888-6855
E-mail: Custserv@Jacksonexit.com

Technical Services

Phone: 323-269-8111
Fax: 323-269-1872
E-mail: terry@Jacksonexit.com

Templates

Specific Templates Furnished Upon Request
Phone: 323-269-8111
Fax: 323-269-1872
E-mail: Custserv@Jacksonexit.com

STANDARD TERMS AND CONDITIONS OF SALE

All sales by Jackson Corporation of the items in this price list (as well as all "custom" variations) are made pursuant to these Standard Terms and Conditions of Sale. We will not be bound by the terms and conditions stated in a customer's purchase order to the extent that the purchase order attempts to modify or supplement in any way any of these Standard Terms and Conditions.

FREIGHT AND DELIVERY POLICIES:

All sales are F.O.B. our facility.

Claims for shortage or damage must be made directly to the carrier no later than five (5) days from the date of arrival of a shipment. All shipment and delivery dates in an acknowledgement are estimates only. We are not liable for air freight or any other charges, losses or damages if goods are not shipped on the estimated date.

TERMS AND PRICES

There shall be a minimum charge of \$100.00 net per invoice.

All prices are subject to all federal and state taxes of any kind where applicable.

1% 10 days, net 30 days from date of invoice. Date of invoice shall be date of shipment. Past due accounts are subject to a service charge equal to 11/2% per month, but in no event higher than the maximum rate (if any) permitted by applicable law. In addition to such service charges, costs and expenses associated with collection of past due amounts, including attorney's fees, shall be added to amounts past due.

We reserve the right to invoice all orders at prices in effect at time of shipment. All prices are subject to change or withdrawal without notice.

ORDER CANCELLATION TERMS AND CHARGES

Cancellation of standard orders will be accepted only if made in writing and received one week prior to shipment of order. Special or custom orders may not be canceled after 3 days following date of acknowledgement. A cancellation charge up to the price of the product will be made on any special or custom made items if same are not cancelled after such 3-day period.

RETURNS POLICY

All sales are final. However, in some cases returns may be allowed. Products will not be accepted for return without our written approval and unless accompanied by a properly authorized "Return Goods Authorization" from us. Return freight must be prepaid. Non-special or non-custom products accepted for return will be issued a credit at the price invoiced, from which will be deducted the expense for return transportation (if not prepaid). All returns are subject to a minimum restocking charge of 25% of the invoice price.

Special or custom made products including units that are modified from standard units cannot be returned for cash, credit or exchange.

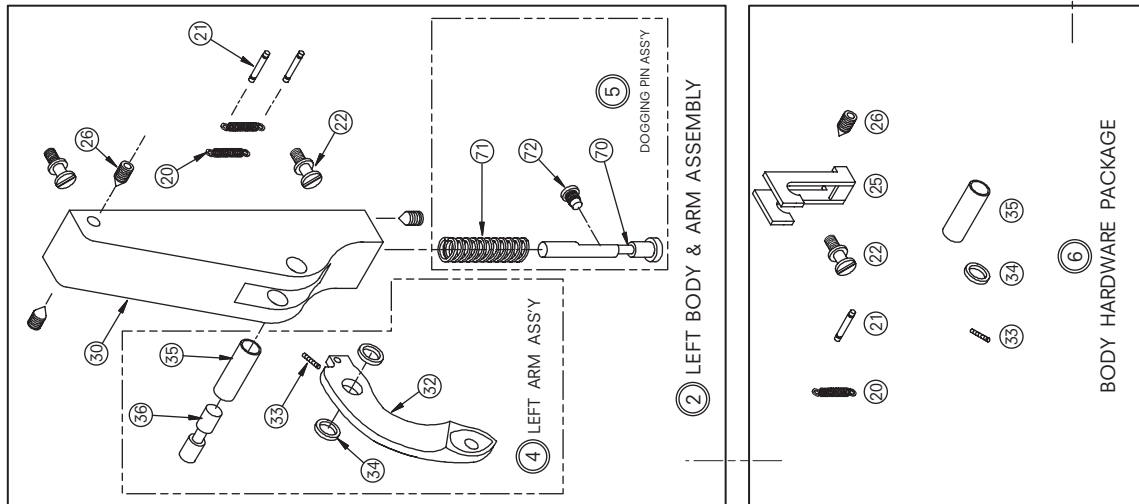
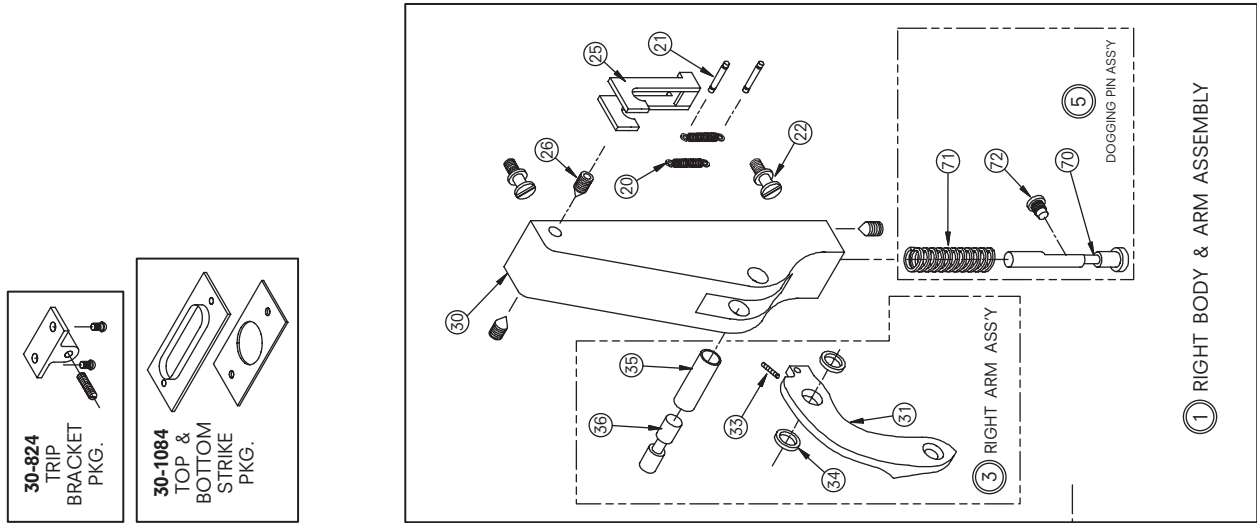
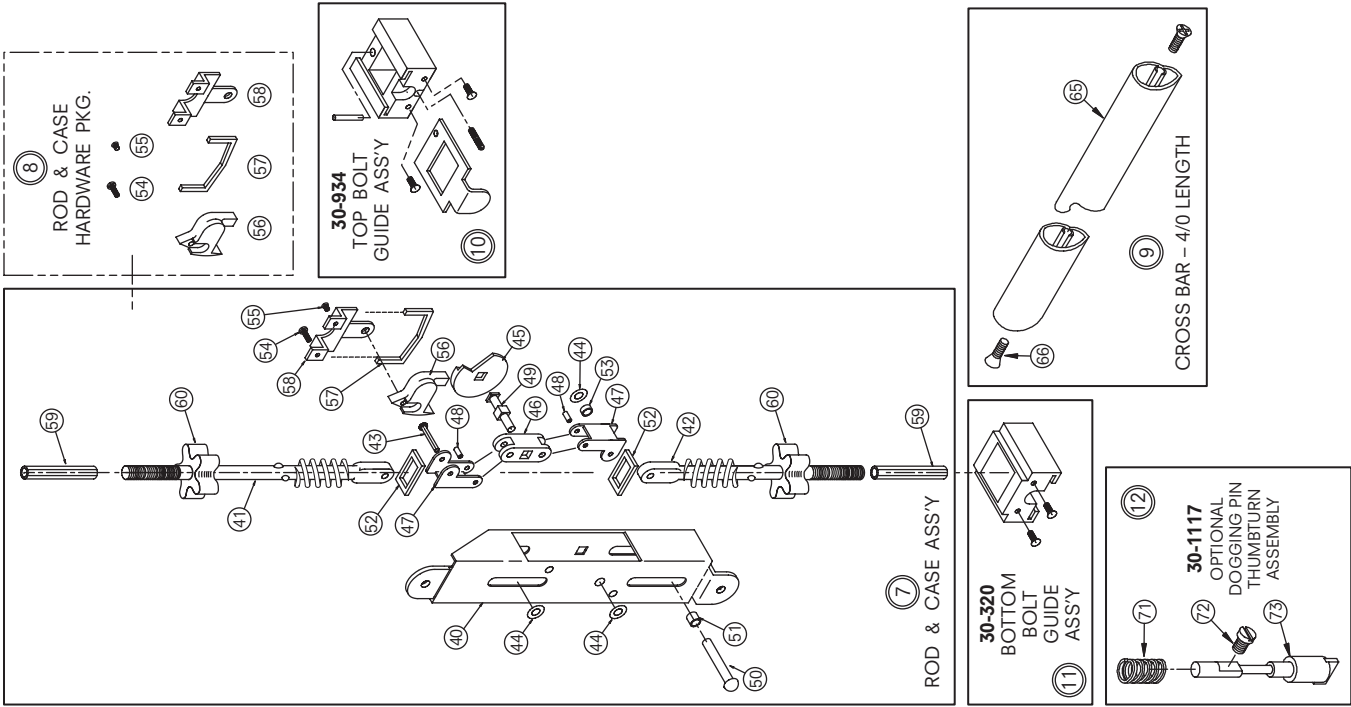
TEMPLATES

Specific templates will be furnished upon request. In no event shall we be liable for any damages if latest templates are not used. Templates pertaining to products in this catalog are accurate at time of printing. Templates are subject to change without notice.

SHOP DRAWINGS

A nominal charge will be made for drawings of special items.

1085 CONCEALED VERTICAL ROD

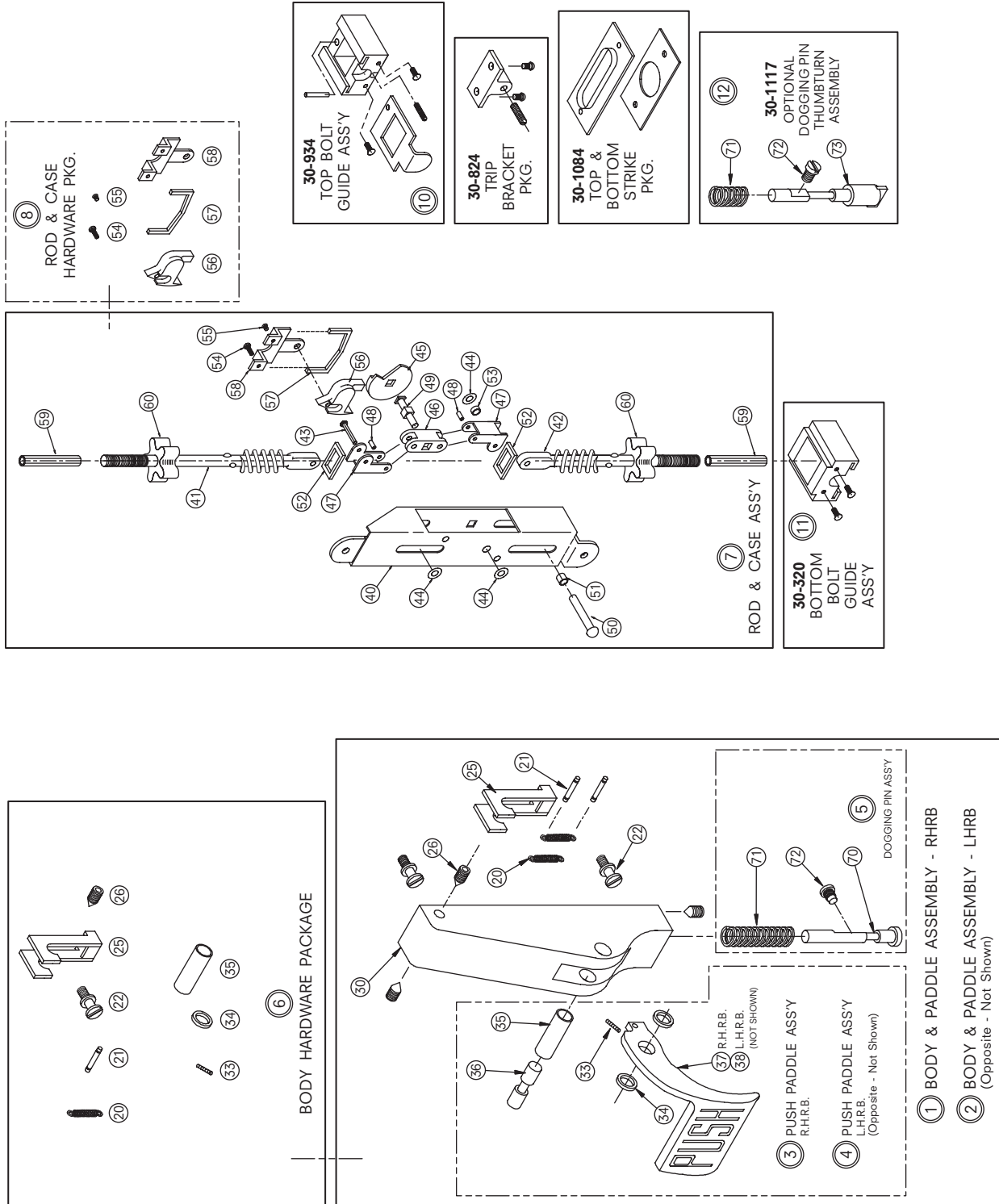




1085 CONCEALED VERTICAL ROD EXIT DEVICE

ASSEMBLY NO.	PART NO.	DESCRIPTION	FINISH	MFG SUGGESTED LIST PRICE
1	30-982	RIGHT BODY & ARM ASSEMBLY	US28 / 628	70.68
			DBZ 313	90.00
			BLK 335	90.00
2	30-983	LEFT BODY & ARM ASSEMBLY	US28 / 628	70.68
			DBZ 313	90.00
			BLK 335	90.00
3	30-1243	RIGHT ARM ASSEMBLY	US28 / 628	15.98
			DBZ 313	15.98
			BLK 335	15.98
4	30-1242	LEFT ARM ASSEMBLY	US28 / 628	15.98
			DBZ 313	15.98
			BLK 335	15.98
5	30-1115	DOGGING PIN ASSEMBLY		6.56
6	30-1409	BODY HARDWARE PACKAGE		16.00
7	30-915	ROD & CASE ASSEMBLY - 7/0		96.00
8	30-916	ROD & CASE HARDWARE PACKAGE		18.00
9	30-733-PKG	CROSSBAR ASSEMBLY - 4/0	US28 / 628	32.00
			DBZ 313	32.00
			BLK 335	32.00
10	30-934	TOP BOLT GUIDE ASSEMBLY	US28 / 628	17.00
			DBZ 313	17.00
			BLK 335	17.00
11	30-320	BOTTOM BOLT GUIDE ASSEMBLY	US28 / 628	9.00
			DBZ 313	9.00
			BLK 335	9.00
12	30-1117	DOGGING PIN ASSEMBLY - Thumbturn	US28 / 628	40.80
			DBZ 313	40.80
			BLK 335	40.80
	30-763P	TOP or BOTTOM BOLT (59)		9.00
	30-824	TRIP BRACKET PACKAGE	US28 / 628	7.20
			DBZ 313	7.20
			BLK 335	7.20
	30-1084	STRIKE PACKAGE - Top & Bottom	US28 / 628	7.60
			DBZ 313	7.60
			BLK 335	7.60

1085P CONCEALED VERTICAL ROD - PADDLE



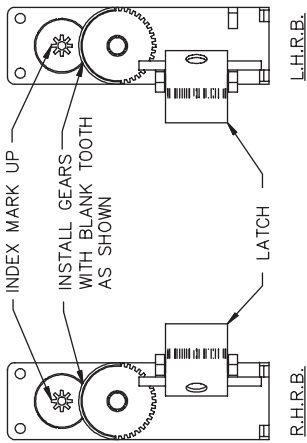


1085P CONCEALED VERTICAL ROD EXIT DEVICE - PADDLE

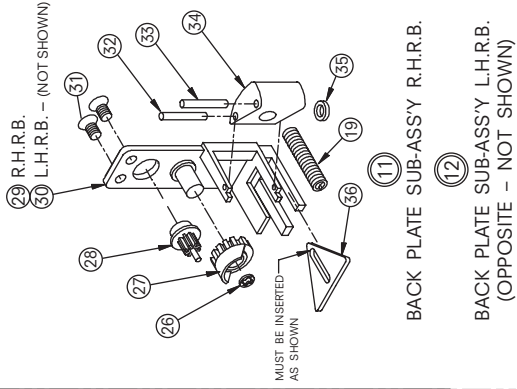
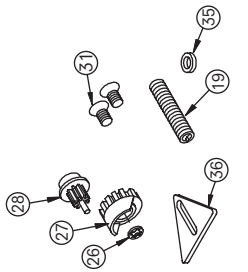
ASSEMBLY NO.	PART NO.	DESCRIPTION	FINISH	MFG SUGGESTED LIST PRICE
1	30-984	BODY & PADDLE ASSEMBLY - RHRB	US28 / 628	140.02
			DBZ 313	166.64
			BLK 335	166.64
2	30-985	BODY & PADDLE ASSEMBLY - LHRB	US28 / 628	140.02
			DBZ 313	166.64
			BLK 335	166.64
3	30-1258	PADDLE ASSEMBLY - RHRB	US28 / 628	59.60
			DBZ 313	65.60
			BLK 335	65.60
4	30-1259	PADDLE ASSEMBLY - LHRB	US28 / 628	59.60
			DBZ 313	65.60
			BLK 335	65.60
5	30-1115	DOGGING PIN ASSEMBLY		6.56
6	30-1409	BODY HARDWARE PACKAGE		16.00
7	30-915	ROD & CASE ASSEMBLY - 7/0		96.00
8	30-916	ROD & CASE HARDWARE PACKAGE		18.00
10	30-934	TOP BOLT GUIDE ASSEMBLY	US28 / 628	17.00
			DBZ 313	17.00
			BLK 335	17.00
11	30-320	BOTTOM BOLT GUIDE ASSEMBLY	US28 / 628	9.00
			DBZ 313	9.00
			BLK 335	9.00
12	30-1117	DOGGING PIN ASSEMBLY - Thumbturn	US28 / 628	40.80
			DBZ 313	40.80
			BLK 335	40.80
	30-763P	TOP or BOTTOM BOLT (59)		9.00
	30-824	TRIP BRACKET PACKAGE	US28 / 628	7.20
			DBZ 313	7.20
			BLK 335	7.20
	30-1084	STRIKE PACKAGE - Top & Bottom	US28 / 628	7.60
			DBZ 313	7.60
			BLK 335	7.60

1095 RIM EXIT DEVICE

ORIENTATION OF THE BACK PLATE GEAR ASSEMBLY
FOR R.H.R.B. DOORS



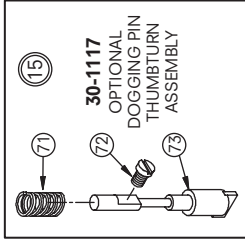
BACK PLATE HARDWARE PACKAGE



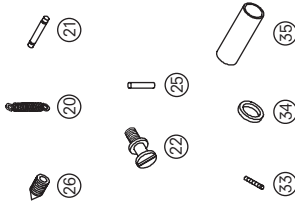
MUST BE INSERTED AS SHOWN

BACK PLATE SUB-ASSY R.H.R.B.

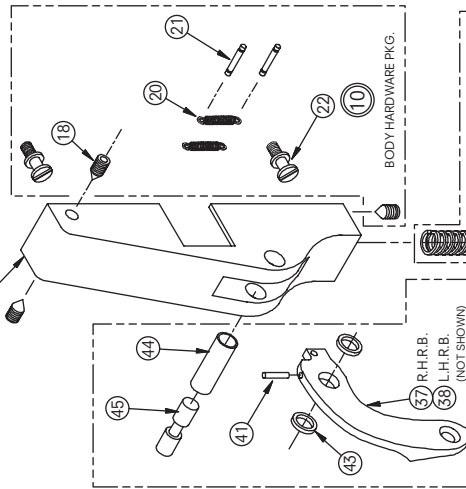
BACK PLATE SUB-ASSY L.H.R.B.
(OPPOSITE - NOT SHOWN)



BODY HARDWARE PACKAGE



50 R.H.R.B.
51 L.H.R.B. (NOT SHOWN)



BODY HARDWARE PKG.

5 RIGHT ARM ASSY
ACTIVE - R.H.R.B.

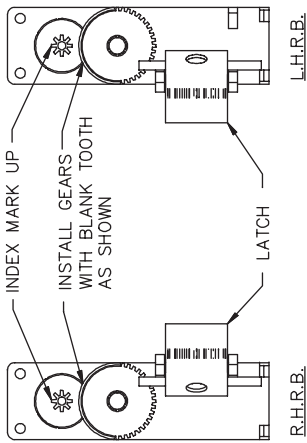
6 LEFT ARM ASSY
ACTIVE - L.H.R.B.
(Opposite - Not Shown)

DOGGING PIN ASSY

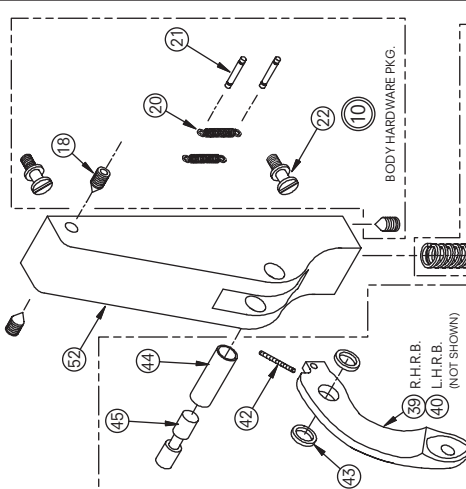
1 RIGHT BODY & ARM ASSY - ACTIVE - RHRB

2 LEFT BODY & ARM ASSY - ACTIVE - LHRB
(Opposite - Not Shown)

ORIENTATION OF THE BACK PLATE GEAR ASSEMBLY
FOR L.H.R.B. DOORS



52 R.H.R.B.
53 L.H.R.B. (NOT SHOWN)



BODY HARDWARE PKG.

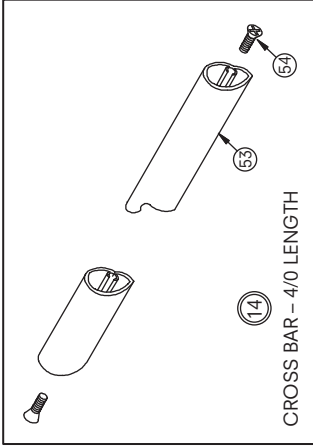
7 LEFT ARM ASSY
INACTIVE - R.H.R.B.

8 RIGHT ARM ASSY
INACTIVE - L.H.R.B.
(Opposite - Not Shown)

DOGGING PIN ASSY

3 LEFT BODY & ARM ASSY - INACTIVE - RHRB

4 RIGHT BODY & ARM ASSY - INACTIVE - LHRB
(Opposite - Not Shown)



CROSS BAR - 4'0" LENGTH

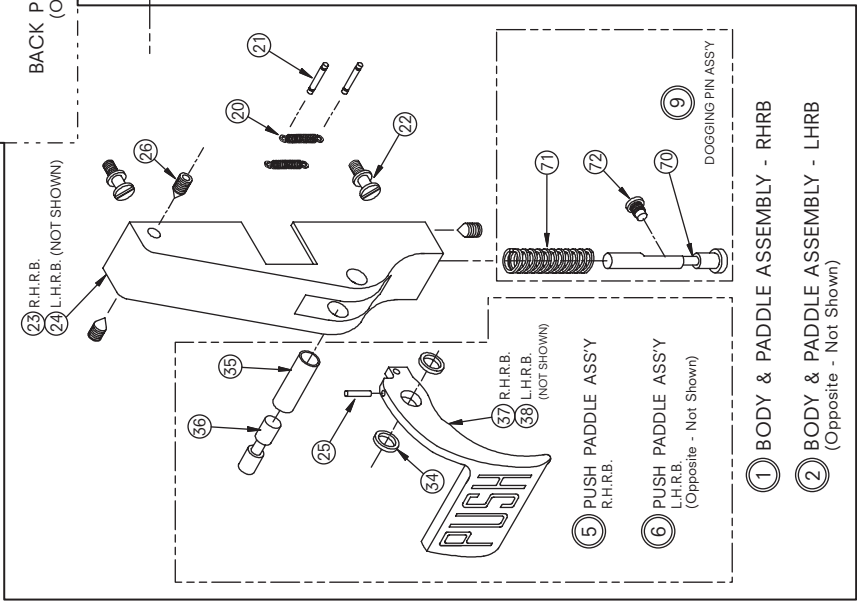
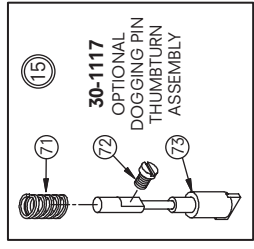
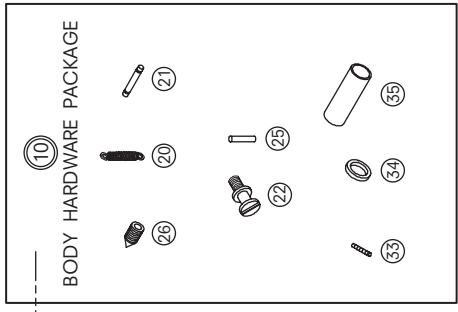
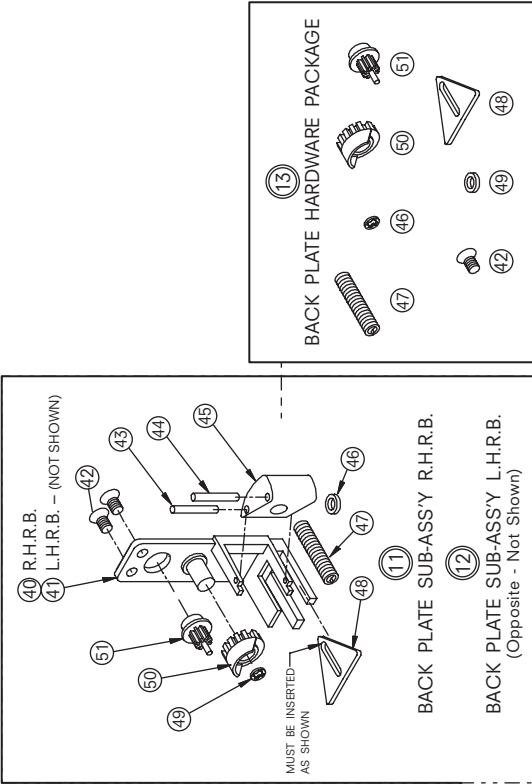
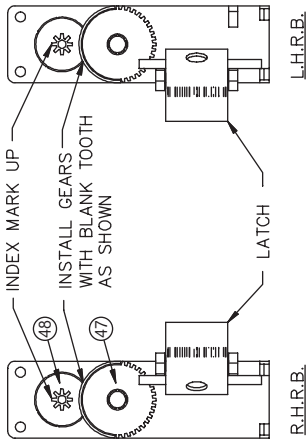


1095 RIM EXIT DEVICE

ASSEMBLY NO.	PART NO.	DESCRIPTION	FINISH	MFG SUGGESTED LIST PRICE
1	30-988	RIGHT BODY & ARM ASSEMBLY - ACTIVE - RHRB	US28 / 628	142.68
			DBZ 313	184.02
			BLK 335	184.02
2	30-989	LEFT BODY & ARM ASSEMBLY - ACTIVE - LHRB	US28 / 628	142.68
			DBZ 313	184.02
			BLK 335	184.02
3	30-990	LEFT BODY & ARM ASSEMBLY - INACTIVE - LHRB	US28 / 628	58.68
			DBZ 313	88.00
			BLK 335	88.00
4	30-991	RIGHT BODY & ARM ASSEMBLY - ACTIVE - RHRB	US28 / 628	58.68
			DBZ 313	88.00
			BLK 335	88.00
5	30-1247	RIGHT ARM ASSEMBLY - ACTIVE - RHRB	US28 / 628	17.60
			DBZ 313	17.60
			BLK 335	17.60
6	30-1248	LEFT ARM ASSEMBLY - ACTIVE - LHRB	US28 / 628	17.60
			DBZ 313	17.60
			BLK 335	17.60
7	30-1242	LEFT ARM ASSEMBLY - INACTIVE - LHRB	US28 / 628	15.98
			DBZ 313	15.98
			BLK 335	15.98
8	30-1243	RIGHT ARM ASSEMBLY - INACTIVE - RHRB	US28 / 628	15.98
			DBZ 313	15.98
			BLK 335	15.98
9	30-1115	DOGGING PIN ASSEMBLY		6.56
10	30-851	BODY HARDWARE PACKAGE		13.00
11	30-846	BACK PLATE SUB-ASSEMBLY - RHRB	US28 / 628	48.40
			DBZ 313	48.40
			BLK 335	48.40
12	30-847	BACK PLATE SUB-ASSEMBLY - LHRB	US28 / 628	48.40
			DBZ 313	48.40
			BLK 335	48.40
13	30-852	BACK PLATE HARDWARE PACKAGE		18.00
14	30-733-PKG	CROSSBAR ASSEMBLY - 4/0	US28 / 628	32.00
			DBZ 313	32.00
			BLK 335	32.00
15	30-1117	DOGGING PIN ASSEMBLY - THUMBTURN (Optional)	US28 / 628	40.80
			DBZ 313	40.80
			BLK 335	40.80

1095P RIM EXIT DEVICE - PADDLE

ORIENTATION OF THE BACK PLATE GEAR ASSEMBLY
FOR R.H.R.B. DOORS



- ⑤ PUSH PADDLE ASS'Y
R.H.R.B.
- ⑥ PUSH PADDLE ASS'Y
L.H.R.B.
(Opposite - Not Shown)

- ① BODY & PADDLE ASSEMBLY - RHRB
- ② BODY & PADDLE ASSEMBLY - LHRB
(Opposite - Not Shown)



1095P RIM EXIT DEVICE - PADDLE

ASSEMBLY NO.	PART NO.	DESCRIPTION	FINISH	MFG SUGGESTED LIST PRICE
1	30-998	BODY & PADDLE ASSEMBLY - RHRB	US28 / 628 DBZ 313 BLK 335	142.68 184.02 184.02
3	30-999	BODY & PADDLE ASSEMBLY - LHRB	US28 / 628 DBZ 313 BLK 335	142.68 184.02 184.02
5	30-1245	PUSH PADDLE ASSEMBLY - RHRB	US28 / 628 DBZ 313 BLK 335	59.60 59.60 59.60
6	30-1246	PUSH PADDLE ASSEMBLY - LHRB	US28 / 628 DBZ 313 BLK 335	59.60 59.60 59.60
9	30-1115	DOGGING PIN ASSEMBLY		6.56
10	30-851	BODY HARDWARE PACKAGE		13.00
11	30-846	BACK PLATE GEAR ASSEMBLY - RHRB	US28 / 628 DBZ 313 BLK 335	48.40 48.40 48.40
12	30-847	BACK PLATE GEAR ASSEMBLY - LHRB	US28 / 628 DBZ 313 BLK 335	48.40 48.40 48.40
13	30-852	BACK PLATE HARDWARE PACKAGE		18.00
15	30-1117	DOGGING PIN ASSEMBLY - THUMBTURN (Optional)	US28 / 628 DBZ 313 BLK 335	40.80 40.80 40.80

