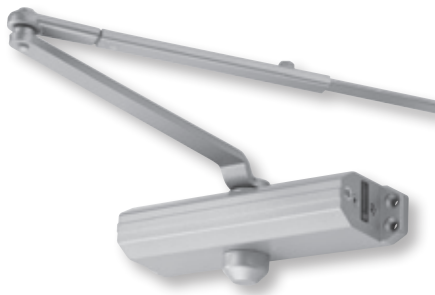




# FALCON

## Price book 11

Effective February 19, 2022 • Rev. 02/22



This price list supersedes and cancels all previous price lists. Prices shown are subject to change without notice.

### Administrative Offices

Allegion Administrative Office  
11819 N. Pennsylvania St.  
Carmel, IN 46032  
allegion.com/us

### Placing orders

You can place orders with Allegion via the fax numbers or emails listed below:

Locks, Exits (panic devices), Closers  
Fax#: 1-800-452-0665  
Email: Allegion\_Orders@allegion.com

Electronic Products  
Fax#: 1-800-452-0665  
Email: Allegion\_Orders@allegion.com

FastTrack  
Fax#: 1-800-288-4242  
Email: Order\_Fasttrack@allegion.com

ProExpress  
Fax#: 800-924-3551  
Email: Order.Pro.Express@Allegion.com  
Online: www.Allegion.com/us/proexpress

### Customer Care

Our Customer Care Representatives are available for questions or assistance.

You can reach them at **877-671-7011** (Press 1 for Sales Support | Press 2 for Product Support | Press 3 for RSO) or through the email addresses listed below:

### Sales Support

support@allegion.com

### Technical Product Support

#### Mechanical Locks/Keying Systems

Mechanical\_Locks\_TechProdSupport@allegion.com

#### Exit Devices

Exits\_TechProdSupport@allegion.com

#### Closers

Closers\_TechProdSupport@allegion.com

### Request for Quote

#### Carolinas

(North Carolina, South Carolina, Virginia)  
Carolinas.Quotes@allegion.com

#### Central

(Arkansas, Illinois, Iowa, Kansas, Missouri, Nebraska, Oklahoma)  
Central.Quotes@allegion.com

#### Chicago

(Illinois-Northern, Wisconsin)  
Chicago.Quotes@allegion.com

#### Florida

Florida.Quotes@allegion.com

#### Great Lakes

(New York, Pennsylvania)  
GreatLakes.Quotes@allegion.com

#### Metro New York

Metro.Quotes@allegion.com

#### Michigan

Michigan.Quotes@allegion.com

#### Mid Atlantic North

(New York, Pennsylvania)  
Mid.Atlantics.north.quotes@allegion.com

#### Mid Atlantic South

(Delaware, Maryland, New Jersey)  
Mid.Atlantics.south.quotes@allegion.com

#### Midwest

(Indiana, Kentucky, Ohio, West Virginia)  
Midwest.Quotes@allegion.com

#### Mountain States

(Colorado, Idaho, Montana, Nevada, Utah, Wyoming)  
Mtn.States.Quotes@allegion.com

#### New England

(Connecticut, Main, Massachusetts, New Hampshire, Rhode Island, Vermont)  
NewEngland.Quotes@allegion.com

#### North Central

(Minnesota, North Dakota, South Dakota)  
NorthCentral.Quotes@allegion.com

#### Northern California

NoCal.Quotes@allegion.com

#### Northwest

(Alaska, Oregon, Washington)  
Northwest.Quotes@allegion.com

#### South

(Alabama, Georgia, Louisiana, Mississippi, Tennessee)  
South.Quotes@allegion.com

#### Southern California

(California-Southern, Hawaii)  
SoCal.Quotes@allegion.com

#### Southwest

(Arizona, New Mexico)  
Southwest.Quotes@allegion.com

#### Texas

Texas.Quotes@allegion.com

Contact Information .....2

## Locks

Miscellaneous Information ..... 4  
 Finishes ..... 5  
 Forms & Examples ..... 10-24  
 Product Index ..... 159-162

MA Series .....25-38  
 RU Series .....39-52  
 T Series .....53-66  
 X Series ..... 67-74  
 K Series ..... 80  
 D100 Series ..... 81  
 B Series ..... 91-98  
 W Series ..... 99-108  
 D200 Series .....109-120  
 H2 Series .....121-130  
 Cylinders .....131-148

Auxillary Products ..... 149-158

## Exits

Finishes ..... 164  
 General Exit Device Information ..... 164  
 Factors Affecting Exit Devices ..... 165  
 New Nomenclature Conversion Chart ..... 166  
 How to Order ..... 167-168  
 25 Series ..... 170-179  
 25 Series Options/Trims/Accessories/Parts .....180-190  
 25 Series Exploded View .....192-205  
 24 Series Options/Trims/Strikes/Accessories/Parts ..... 214  
 24 Series Exploded View ..... 224-235  
 19 Series ..... 236  
 19 Series Options/Trims/Strikes/Accessories/Parts ..... 240-246  
 19 Series Exploded View ..... 248-253  
 20 Series .....254  
 1490 Series ..... 255-256  
 1590 Series ..... 257-258  
 1490-1590 Series Exploded View ..... 259-266  
 1690 Series ..... 267  
 1690 Series Exploded View .....269-271  
 1790 Series .....272-273  
 1790 Series Exploded View .....274-275  
 1990 Series ..... 276  
 1990 Series Exploded View .....278-281  
 2090 Series .....282  
 2090 Series Exploded View ..... 284-287  
 2390 Series .....288  
 2390 Series Exploded View .....290-293  
 Exit Accessories .....294  
 Mullions/Mullion Options .....294  
 Exit Accessories .....295  
 Numerical Index .....296-298

## Closers

Available Finishes .....299  
 Common Applications .....300  
 SC Series Options ..... 301  
 SC60/SC60A Series Surface Mount .....302  
 SC70/SC70A Series Surface Mount .....303  
 SC80/SC80A Series Surface Mount .....304  
 SC90 Series Surface Mount .....305  
 OHC Series Concealed .....306  
 8200 Series Auto Operator .....307  
 8300 Series Actuators & Accessories .....308

## Electronics

Power Supplies ..... 309-310

### Policies and documents

The purchase of Allegion products is governed by the Allegion Authorized Seller Program. For program terms and conditions, and other program details, please visit: [www.allegion.com/AuthorizedSeller](http://www.allegion.com/AuthorizedSeller).

For Warranty information, visit [us.allegion.com/warranty](http://us.allegion.com/warranty) or contact Customer Service at 877-671-7011.

## LOCKS FOR THICK DOORS

Many Series of Falcon locks are available for doors over 1-3/4" thick. Consult the options section for each series for available door thicknesses and charges.

## LEAD-LINING OR LEAD-WRAPPING

T and RU Series locksets and latchsets are available lead-lined. MA Series locksets are available lead-wrapped. Consult the options section for each series for availability and charges.

## ABRASIVE COATING AND KNURLING

Abrasive coated or knurled knobs or levers are available for most Falcon locksets and latchsets. Consult the options section for each series for availability and charges.

## MOUNTED LOCK SAMPLES

Individual mounted samples are available for all lock series. The samples are mounted on a mount block and are fully operative thus allowing demonstration of each functions' individual features. There is a nominal charge for the mount block. There is no charge for mounting of the hardware. See page 158 for mount selection.

## SET OF FINISH SAMPLES

One (1) of each finish on 1-1/4" diameter disks attached together with a bead chain.  
 Finishes Included: 605, 606, 613, 619, 622, 625, 630, & 643e. Contact your RSO representative for availability.

## COMPETITORS' KEYWAYS

A selection of standard keyways of other lock manufacturers is available as listed below (6-pin only). Consult options sections of each series for availability. (Not available in any mortise and rim cylinders, or factory master keyed.)  
 Furnished 0-Bitted unless otherwise specified. KD option is not available for locks containing 2 cylinders.

Manufacturer	Keyway	Keying Options
Corbin Russwin	60	0 Bitted, KD
	L4	0 Bitted, KA4
Russwin	D1	0 Bitted, KD
Sargent	LA	0 Bitted, KD
Yale	8 (Para)	0 Bitted, KD

## INTERCHANGEABLE CORES

The "A" keyway is standard for IC products and will be supplied unless otherwise specified. A, B, C, D, DD, E, F, G, H, J, K, L, M, N, Q, R, TB, TD are equivalent to Best and Arrow IC keyways of the same names. Consult Allegion Customer Service for restricted keyways not listed here. Conventional cylinders are not compatible with interchangeable core.

## COMPETITORS' CORES

Falcon standard IC preps accept Arrow (including Flex-Core), Best (including PKS, Peaks and Cormax®), InstaKey, Kaba Peaks, Keymark and KSP cores. Other brands of interchangeable cores are compatible with T and RU Series locksets. See those sections for details.

## CONVENTIONAL CYLINDERS

The "G" keyway is standard for conventional cylinder products and will be supplied unless otherwise specified. E, H, K, L, N and P are also available. Consult Allegion Safety Customer Service for restricted keyways and other keyways not listed here.

\* Interchangeable core not compatible with conventional cylinders

## RESTRICTED KEYWAY POLICY

All keyways not listed in the above statements defined as standard keyways are considered RESTRICTED. Falcon requires a minimum cylinder order size to qualify for a defined geographic area restricted key system. A letter of authorization is required for the purchase of keys, locks or cylinders (to include plugs) for a restricted keyway. Contact 877-671-7011 for availability.

Prices subject to change without notice

## FINISHES

Although we apply the finest available protective plating and/or enamel coating to the surface of our products, these finishes have limitations and in time may deteriorate either from exposure to weather, pollution, perspiration, extremes of climate, frequency of use or other factors. Deterioration of these finishes is, therefore, not a defect, but a normal process which is unavoidable. Our Company cannot accept responsibility for finish deterioration in these circumstances and therefore the finishes cannot be guaranteed. These products will not be refinished or replaced under our warranty should deterioration of finishes occur.

Some finishes are not suggested for areas that are subject to corrosive climate or chemical conditions. We recommend chrome plated or stainless steel finishes for these areas.

ANSI/BHMA Finish Code	U.S. Standard Code	Description
605*	3	Bright Brass - Clear Coated
606	4	Satin Brass - Clear Coated
613**	10B	Satin Bronze; Dark Oxidized and Oil Rubbed
619	US15	Satin Nickel
622		Matte Black
625	26	Bright Chromium
626	26D	Satin Chromium
630	32D	Satin Stainless Steel
643E	US11	Aged Bronze

\* 605 Finish is not recommended for corrosive climates.

\*\* Oil rubbed bronze (613) is considered a category "B" finish by ANSI/BHMA and will vary in color when applied to different alloys and forms of base material. 613 will also vary from production lot and additionally from one manufacturer to another. Oil rubbed bronze will wear off over time due to the "rubbed" finishing method that has no protective coating or plating.

Please refer to price columns for each lock series for finish availability.

## HOW TO SPECIFY FINISHES

**STRAIGHT FINISHES:** When the finish is to be the same for both sides of the door.

EXAMPLE: 40 EA. 511HG 626

**SPLIT FINISHES:** Split finishes are available on all models except for Padlocks. Finish may vary from one side of the door to the other and will be priced at the highest list price of the design/finish chosen.

EXAMPLE: 40 EA. X301TG 606 x 625 (Outside finish is always specified first)

## MARKING CARTONS

Markings (e.g., door number, stock reference numbers) on individual product cartons will be provided with no charge.

Prices subject to change without notice

WHERE TO SEND ORDERS		
Type of Order	Fax No.	Mailing Address
Factory	888-840-7732 (West) 888-840-7735 (East)	Falcon Lock 3899 Hancock Expressway Security, CO 80911 877-671-7011

**Note 1)** Failure to use the above fax numbers or mailing address will delay processing of your order.

PRODUCT IDENTIFICATION CODING	
<b>Latch Suffix</b>	
D	Deadlatch
S	Springlatch
<b>Cylinder Suffix</b>	
P	6 pin cylinder, keyed to 5 chambers
L	Less cylinder
B	Less SFIC
BDC	Disposable construction core, plastic (SFIC**)
J	FSIC core prep (competitor's full-size IC, designate competitor in "Additional Details" of Order Form)
G	SFIC (Old Falcon designation = WIC)
H	Construction Core SFIC (brass, keyed)
BB	Best Syle Capped Core (SFIC)
<b>Trim and Chassis Prefix</b>	
6	Abrasive Lever (6DA = Dane Lever x abrasive strip)
8	Knurled (8TG = Troy-Gala knob trim x knurled lever or knob)
9	Lead-Lined (9AV = Avalon lever x lead-lining of levers (and/or chassis)
XC	Corrosion resistant chassis (XC561 = X corrosion resistant chassis, classroom function)*

\* X Series chassis only.

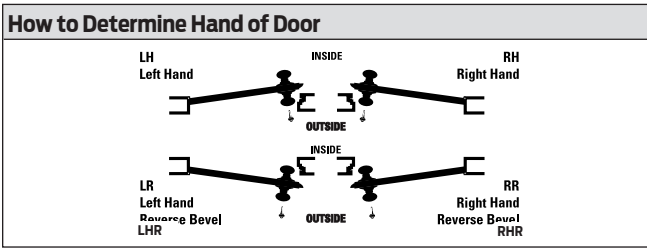
\*\* SFIC = Small format interchangeable core

Prices subject to change without notice

To order Falcon products, descriptive data should be in the same sequence as shown:

Line Item	Qty	Product	Outside		Inside		Hand	Latch	Strike	Dr. Thk	Ext	DIM	Additional Details
			DES	FIN	DES	FIN							
1	2	3	4	5	6	7	8	9	10	11	12	13	14

1. **LINE ITEM:** Line item number
2. **QTY:** Quantity
3. **PRODUCT:** Complete lock product or part number
4. **OUTSIDE DES:** Outside design code
5. **OUTSIDE FIN:** Outside finish code
6. **INSIDE DES:** Inside design code. Leave blank if same as outside design code.
7. **INSIDE FIN:** Inside finish code. Leave blank if same as outside finish code.
8. **HAND:** Hand of door. Only one hand allowed per line item.  
Example: RH = Right Hand, LH = Left Hand, RHR = Right Reverse, LHR = Left Reverse.



9. **LATCH:** Latch. Leave blank for standard or specify part number if non-standard latch is required. LLL = Less Latch.
10. **STRIKE:** Strike. Leave blank for standard or specify part number if non-standard strike is required. LLL = Less Strike.
11. **DR THK:** Door Thickness. Enter door thickness if non-standard. Example: 138 = 1-3/8", 214 = 2 1/4", 212 = 2 1/2".
12. **EXT:** Extension. Enter one of the following when doors 2" thick or greater are specified:
  - EE = Extended Equally
  - EI = Extended Inside
  - EO = Extended Outside
  - ED = Extended Differently
 EI or EO assumes the latch will be centered on a 1-3/4" door, to which material has been added.
13. **DIM:** Enter dimension for non-standard strike lip length and mortise cylinder or blocking ring length.
 

012 = 1/8"	118 = 1-1/8"
018 = 3/16"	114 = 1-1/4"
025 = 1/4"	138 = 1-3/8"
031 = 5/16"	112 = 1-1/2"
037 = 3/8"	158 = 1-5/8"
050 = 1/2"	134 = 1-3/4"
078 = 7/8"	200 = 2"
100 = 1"	400 = 4"
14. **ADDITIONAL DETAILS:** Enter detail for keying information and for special requirements.

Prices subject to change without notice



Line Item	Qty	Product	Outside		Inside		Hand	Latch	Strike	Dr. Thk	Ext	DIM	Additional Details/Keying
			DES	FIN	DES	FIN							
<b>Ten B-Series storeroom locks with a Dane outside lever in 605 and Dane inside lever in 626, with a 2-3/8 radius face latch and full lip radius strike, 6-pin standard cylinder, G keyway.</b>													
2	10	B581PD6	DAN	605	DAN	626		57421	5104-1				
<b>Four T-Series entry office locks with an Avalon lever in 613, standard latch and strike, 5-pin standard cylinder, G keyway</b>													
3	4	T511PD	AVA	613				98535	5164	134			
<b>Three T-Series entry office locks with a Quantum lever in 605, abrasive outside lever, standard latch and strike, for 2-1/4" thick doors, 6-pin standard cylinder, G keyway, masterkeyed to new system, with 3 keys each. Provide 2 masterkeys.*</b>													
<b>Note:</b> Masterkeying charges and extra cut key charges will be added to the applicable lock/cylinder order line and list price of lock will be adjusted. Charges will not be shown separately on acknowledgements or invoices.													
4	3	T511PD6	6QU	605	QUA			98535	5164	214			G Keyway, w/3 keys ea.
5	2	KB578											G Section, master key
6	3	50-215											Extra cut keys charges
7	3	50-210											Master keying charges
<b>Two X-Series dormitory locks with a Troy knob and Gala rose in 606, 7-pin SFIC, A keyway, 0-bitted, one control key, less strike.</b>													
8	2	X571BD7	TG	606				98535	LLL				A-000000
9	1	KB609-2											A Section control key 0-bit
<b>Two MA-Series dormitory locks with a Hana knob and Gala rose in 625, right hand, lead-lined, 6-pin SFIC, A keyway, construction core, one control key, two change keys.</b>													
10	2	MA571HDG	9HG	625			RH						
11	2	KB632-1CCA											A Section const. change key
12	1	KB609-1CCA											A Section const. ctrl. key
<b>One MA-Series dormitory locks with a Hana knob and Gala rose in 625, left hand reverse, knurled outside knob, 6-pin SFIC, disposable construction core.</b>													
13	1	MA571BDC	9HG	625			LR						
<b>Five W-Series classroom locks with a Dane lever in 626. Standard latch and strike. 6-pin Schlage C keyway, Keyed Different.</b>													
14	5	W5619D6	DAN	626				30-197	30-148				Sch C KD
*Use Master Keying Schedule form and appropriate Master Key Specification Sheet when ordering.													

Prices subject to change without notice



**DISTRICT 10**

**End User Letterhead - REQUIRED**

District 10 Schools  
555 Main Street  
End User City, State 55555  
(555) 555-5555

May 1, 2003

**Date - REQUIRED**

**To:** Falcon Dealer  
100 East Avenue  
Dealer City, State 11111

**Dealer Name - RECOMMENDED**

**RE: District 10, Jones Elementary School**

**Facility Name - REQUIRED**

Please consider this authorization to ship product for the above-referenced project.

Jones Elementary School is to be keyed using a new Falcon Restricted Key System. For security reasons, we would like to have all keys for this facility shipped to a location other than the job site. Master keyed products, however, can be shipped directly to the site. This letter authorizes Falcon to ship our restricted products to the following addresses:

Master Keyed Products, Construction Keys, Locks Less  
Cylinders, and Locks with Construction Cores

Attn: Building Project Manager  
District 10 Schools  
555 Main Street  
End User City, State 55555

Master Keys, Change Keys, Control Keys, and Key Blanks

Attn: Locksmith  
District 10 Lockshop  
1201 Fifth Avenue  
End User City, State 55555

**Authorized Ship - To Addresses - REQUIRED**

These two addresses above serve as our only authorized shipment addresses for all orders placed for our facility. We understand that this letter will be kept on file and referenced for our future orders and that a new letter is only required to add, remove, or change authorized shipping locations.

Sincerely,

  
End User Representative  
Facilities Manager

**End User Representative Signature - REQUIRED**

**Letter may be mailed or faxed to Falcon  
Falcon Restricted Order Processing  
3899 Hancock Expressway  
Security, CO 80911  
Fax: (888) 840-7735**

Prices subject to change without notice



# Non-Master Keyed ORDER

<b>QUOTE#</b>	<b>PRICE BOOK:</b>		
SHIPPING INSTRUCTIONS		ACCOUNT NO.	DATE
REQUESTED SHIPDATE		P.O. NO.	
ORDER WRITTEN BY		SHIP TO:	
FOR FURTHER INFORMATION, CONTACT Name:  Phone:  Fax:		CUSTOMER NAME AND ADDRESS:	
		MARK CARTONS:	

LINE ITEM	QTY	PRODUCT	OUTSIDE		INSIDE		HAND	LATCH	STRIKE	EXT	DIM	ADDITIONAL DETAILS Use for Key Section and Bitting Information, KA Groups, etc.
			DES	FIN	DES	FIN						

LINE ITEM	QTY	PRODUCT	OUTSIDE		INSIDE		HAND	LATCH	STRIKE	EXT	DIM	ADDITIONAL DETAILS Use for Key Section and Bitting Information, KA Groups, etc.
			DES	FIN	DES	FIN						



# MASTER KEYED ORDER

This form must be attached to the  
MASTER KEY SYSTEM SUMMARY FORM

Excel Soft copy - Print Instructions:  
To avoid printing more sheets than  
needed, select <Print>, from the print  
screen select <Print range> then select  
<Pages> from \_\_\_ to \_\_\_ & click OK.

Please provide as complete and accurate as possible  
so we can provide what you need for your Key System

Quote #:		Account No.:		P.O. #:								
Shipping Instructions:		Mark Cartons:		Date:								
Order Written By:		Customer Name and Address:				Ship to:						
For Further Information Contact:												
Name:												
Phone:												
Fax:												
LINE ITEM	QTY	PRODUCT	OUTSIDE		HAND (Only one hand per line item)	INSIDE	LATCH	STRIKE	Enter door thickness if not standard	Enter when door thickness is greater/ equal to 2"	Dimension for mortise cylinder, blocking ring, etc.	ADDITIONAL DETAILS
			DESIGN	FINISH								
Key/Label Instructions												
						QTY	Heading					

Items Ordered			OUTSIDE		HAND (Only one hand per line item)	INSIDE		DOOR #	LATCH KEY Symbol(s)	STRIKE MK Symbol(s)	Enter door thickness if not standard DR THK	Enter door thickness is greater/ equal to 2" EXT	Dimension for mortise cylinder, blocking, hng, etc. DIM	ADDITIONAL DETAILS
Lock Details	DESIGN	FINISH	DESIGN	FINISH										
LINE ITEM	QTY	PRODUCT				QTY	Heading							



# MASTER KEY SYSTEM SUMMARY

This form must be attached to the **Master Key Order form and P.O.**  
Please provide as complete and accurate as possible so we can provide what you need for your Key System.

Job Name  
Address  
City / State  
Country

Account No.  
P.O.#

*For detailed instructions on how to complete this form please refer to pages 4 & 5*

## System Overview

New

Existing (provide info below)

Attached Dealer Specified Combinations

Registry # \_\_\_\_\_

Structure or  
Factory Order # \_\_\_\_\_

## 1. Select System

### Schlage

- Classic
- Classic Primus\*

### Everest®

- B (Small Format IC, Restricted \*)
- C (Open)
  - Primus\*\*
- D (Restricted \*)
  - Primus\*\*

### Everest 29™

- R (Small Format IC, Restricted \*)
- S (Open)
  - Primus\*\*
- T (Restricted \*)
  - Primus\*\*

### Falcon

- Standard
- Schlage C
- Restricted \*
- Interchangeable Core A2
- Interchangeable Core A4

Everest 29 key sections are backwards compatible to Everest keyways and have the following relationships:

R family sections > B family keyways  
 S family sections > C family keyways  
 T family sections > D family keyways

### Type

5-pin    6-pin    7-pin  
*See compatibility chart on page 5*

**Keyway** \_\_\_\_\_  
**Specified\*\*:** \_\_\_\_\_

\*\* = The Commercial Master Key Department makes the final decision in the selection of key sections

Construction Keyed    Yes    No

Full Size Construction Cores    ICA    ICB    ICC  
(Schlage Only)

Small Format Construction Cores    Brown    Green

### Construction Keyed Type

- Falcon    CK (BOK)    Lost Ball
- Schlage    CK (Split)    RCK ( 5-Pin C only )





## 2. Select Keys & Key Stamping

### Change Keys

No. Of Keys per Symbol \_\_\_\_\_

No. Of Keys per Cylinder \_\_\_\_\_

### Type

Standard Bow

Standard Bow  
(Unembossed)

Access Bow  
(Schlage Only)

Large Bow

### Key Stamp Details

Keyset Symbol

Do Not Duplicate  
(DND)

With Custom Die  
(Specify) \_\_\_\_\_  
\_\_\_\_\_  
\_\_\_\_\_

Non-standard Code (Specify) \_\_\_\_\_

### Change Key Packaging and Shipping Instructions

Pack Keys Independently (PKI) of Lock or Cylinder\*\*\*

\*\*\* = Furnished standard at no charge with  
Split-Key construction keying

Yes    No

If PKI, ship change keys to:

Dealer

Other \_\_\_\_\_  
\_\_\_\_\_

See Primus Facesheet

## 3. Select Cylinder Stamping

### Cylinder Stamp Details

With Industry Standard Key Symbol

Non-Standard Code (Specify)

### Cylinder Stamping Location

Plug Face (N/A in Primus) - VKC

Concealed (N/A in Falcon STD) - CKC



#### 4. Select Key Quantities

Level	Qty. Per	Master Key Symbol (s)	Total Quantity
GGM _____	_____	_____	_____
GM _____	_____	_____	_____
MK or RMK _____	_____	_____	_____
Control _____	_____	_____	_____
Emergency _____	_____	_____	_____
Others _____	_____	_____	_____

#### Ship Master Keys To:

Dealer   
  See Primus Facesheet   
  Other \_\_\_\_\_  
 \_\_\_\_\_  
 \_\_\_\_\_

Special Function	Qty. Per		Qty. Per
RCK (Lost Ball) ****	_____	Full Size Construction Core Keys (Schlage Only)	_____
CK (Split Key) ****	_____	Full Size Construction Core Control Keys (Schlage Only)	_____
Extractor Tools ****	_____	Small Format Construction Core Keys	_____
		Small Format Construction Core Control Keys	_____

\*\*\*\* = Use with Construction Keying

#### 5. Master Key Future Expansion

List Future MK Symbols	Approx. # of Change Key Symbols Under Each Future MK
------------------------	--

Example:  
 MK.....  ✓                      BJ, BK \_\_\_\_\_                      40 each \_\_\_\_\_

GGM_ <input type="checkbox"/>	_____	_____
GM_ <input type="checkbox"/>	_____	_____
MK_ <input type="checkbox"/>	_____	_____
MK_ <input type="checkbox"/>	_____	_____
MK_ <input type="checkbox"/>	_____	_____
MK_ <input type="checkbox"/>	_____	_____
Others_ <input type="checkbox"/>	_____	_____

#### 6. Operating Instructions

*(Unless otherwise specified, all hierarchical master keys will operate cross-keyed cylinders)*

Cross Keyed Cylinder	is operated by these change keys	Cross Keyed Cylinder	is operated by these change keys
X _____	_____	X _____	_____
X _____	_____	X _____	_____
X _____	_____	X _____	_____
X _____	_____	X _____	_____



## **7. Instructions and Compatibility**

### **General Information**

If you do not know the registry number (R#), structure number or the original factory order number for an existing system, contact Customer Service prior to placing the order:

**Tel. 1-877-671-7011**  
**Fax 1-800-452-0663**

- Only one structure may be ordered on the same purchase order
- Classic refers to Obverse, Numbered (Paracentric), Quad, and Reverse key section families
- Classic Primus refers to Primus Obverse and Primus Quad key section families

### **Section 1: System a System**

Full Size Construction Cores

- Schlage only

Small Format Construction Cores

- 7-pin only for Schlage
- 6- and 7-pin for Falcon

CK (Split)

- 6-pin for Schlage and Falcon
- Split key construction keying is not available for Classic Primus or Everest 29 Primus

RCK (Lost Ball)

- 5-pin (C keyway) only for Schlage
- 5-, 6-, and 7-pin for Falcon

System Selection

- Refer to the compatibility chart

### **Section 2: Select Kys and Key Stamping**

Stamp Details

- Unless otherwise specified, industry standard key symbols are stamped on Everest 29™ and Primus® keys
- For custom die, attach RFQ approval for Schlage

### **Section 3: Select Cylinder Stamping**

Type

- For cylinder type refer to the compatibility chart

Keyway (specify)

- Schlage Commercial's default key section for new Master Key Systems is Everest™ S145



**Section 4: Key Quantities**

Level

- Unless otherwise specified, the control key has the same cut as the highest-level key in the system (Except SFIC systems)

Special Function

- Construction keys are not furnished unless specified

Change Keys

- Unless otherwise specified 2 change keys are furnished per lock or cylinder

**Section 5: Master Key Future Expansion**

- Do not use the letters “I”, “O”, “CK”, “KA, or “KD” for any master key symbols

**Section 6: Operating Instructions**

- Cross keying reduces the security and expansion of key systems
- Unless otherwise specified, all hierarchical master keys will operate cross-keyed cylinders

Compatibility Chart

	5 Pin	6 Pin	7 Pin	Split Key	Block O-Key	Lost Ball	Tempe Core	A2	A4	0.025	0.018
<b>Schlage</b>											
Classic	X	X		X		X	X				
Everest 29 S		X		X			X				
Everest 29 T		X		X			X				
Everest 29 R			X				X	X			
Classic Primus (XP)		X					X				
Everest 29 Primus (XP)		X					X				
<b>Falcon</b>											
Open	X	X	X		X	X					X
Restricted		X	X		X	X				X	
Schlage C		X		X							
SFIC Open		X	X				X	X	X		
SFIC Restricted		X	X				X	X	X		





<b>MA Series</b>	
<b>Function Chart</b>	<b>27</b>
<b>MA Complete Lock Pricing</b>	<b>29</b>
<b>Option</b>	
Conventional Cylinder Options.....	32
SFIC Cylinder Options.....	32
Small Format Interchangeable Core.....	32
Small Format Constructoin Core .....	32
Strikes .....	33
Armor Fronts (Scalps) .....	33
Lock Less Components.....	36
Non-Standard Door Thickness.....	36
Abrasive Coating and Knurling.....	36
Lead Wrap.....	36
Allegion Connect.....	36
Indicators .....	36
<b>MA Series Parts</b>	
MA Series Parts.....	31
Full Body Mortise Deadlocks.....	31
Lock Cases .....	34
Knobs & Levers.....	34
Roses .....	34
Escutcheons.....	35
Screws and Screw Packs.....	35
Misc. Parts.....	35
Allegion Connect.....	36
Indicators .....	36
Trim Packs.....	37


### Product Identification

<b>MA</b>	<b>501</b>	<b>P</b>	<b>D</b>	
				<b>Latch Suffix</b>
				<b>D</b> = Deadlatch
				<b>Cylinder Suffix</b>
				<b>B</b> = Less SFIC
				<b>BDC</b> = SFIC Construction Core (disposable)
				<b>BB6</b> = SFIC - 6 Pin BEST capping
				<b>BB7</b> = SFIC - 7 Pin BEST capping
				<b>G6</b> = SFIC - 6 Pin slide capping (Falcon Only)
				<b>G7</b> = SFIC - 7 Pin slide capping (Falcon Only)
				<b>H</b> = SFIC Construction Core (refundable)
				<b>L</b> = Less Conventional, 6 Pin
				<b>P</b> = Conventional, 6 Pin/Keyed 5
				<b>P6</b> = Conventional, 6 Pin
				<b>P7</b> = Conventional, 7 Pin
				<b>Function</b>
				See 31
				<b>Lock Series</b>
				SFIC = Small Format (Best® Style) Interchangeable Core

### Finish Codes and Descriptions

Code		Description
605	(US3)	Bright Brass
606	(US4)	Satin Brass
613	(US10B)	Oil Rubbed Bronze
619	(US15)	Satin Nickel
622	(US19)	Matte Black
625	(US26)	Bright Chrome
626	(US26D)	Satin Chrome
630	(US32D)	Satin Stainless Steel
643E	(US11)	Aged Bronze

### Standard Features - Furnished unless otherwise specified



Certification	ANSI A156.13, Series 1000, Grade 1 Operation and Security, UL Listed for 3-Hour fire door with SFIC Interchangeable Core Cylinders: Grade 3 Security
Latch	2 piece stainless steel anti-friction bolt 3/4" projection.
Strike	1-1/4" x 4-7/8", ANSI, Square corner, with dust box
Cylinder	6-Pin, Solid brass, Keyed 5-Pin, Falcon G keyway, Keyed different (KD)
Door Range	1-3/4" - 1-7/8" standard
Handing	RH is default. Can be specified on order or re- handed in-field
Keys	Two, Nickel silver cut keys per lock, Falcon G keyway

Prices subject to change without notice

# MA Series

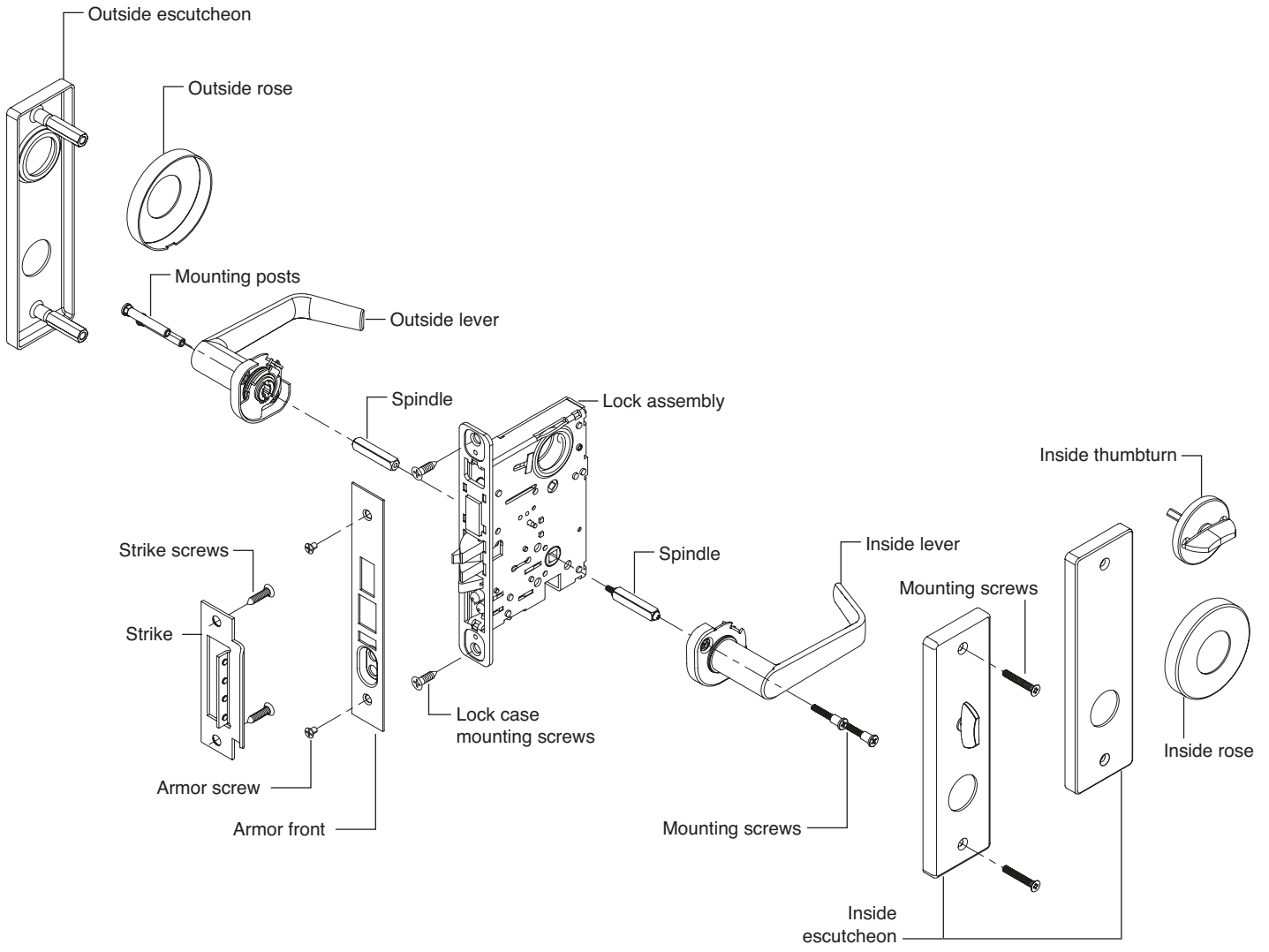
## GRADE 1 MORTISE LOCK

LOCKS

Grade 1

Mortise

MA Series



Prices subject to change without notice

## ANSI A156.13 Series 1000 Grade 1 Operation

### Mortise

FALCON ANSI

**MA101 F01**



#### Passage/Closet Latchset

Latchbolt retracted by knob/lever from either side at all times. Inside knob/lever is always free for immediate egress.

**MA161 F31**



#### Connecting Room/Exit Latch

Latch bolt operated by knob/lever from inside. No trim outside. Auxiliary dead latch. Door handing must be specified on order.

**MA301 F02**



#### Privacy Lock

Latch bolt operated by knobs/levers either side, dead bolt operated by turn from inside or by emergency release outside. Available with messaging indicator. Please specify.

**MA311 F19**



#### Privacy, Bedroom or Bath Lock

Latch bolt operated by knobs/levers. Dead bolt operated by turn from inside and emergency release outside. Rotating inside knob/lever retracts both bolts. Inside knob/lever is always free for immediate egress. Available with messaging indicator. Please specify.

**MA321 F22**



#### Privacy Lock

Latch bolt operated by knob/lever from either side except when outside knob/lever is locked by inside T-turn. Operating inside knob/lever, closing door or operating outside emergency release unlocks outside knob/lever. Inside knob/lever is always free for immediate egress. Available with messaging indicator. Please specify.

**MA371\* F14**



#### Store Door Lock

Latch bolt operated by knobs/levers either side. Dead bolt by key from either side. Available with messaging indicator. Please specify.

**MA381 F09**



#### Apartment, Exit Lock

Latch bolt operated by knob/lever from either side, except when outside knob/lever is locked by key from inside. When outside knob/lever is locked, latch bolt is retracted by key from outside or by operating inside lever. Auxiliary dead latch. Inside knob/lever is always free for immediate egress.

### Mortise

FALCON ANSI

**MA411\* F30**



#### Asylum Lock

Latch bolt operated by key from either side. Both knobs/levers always inoperative. Auxiliary dead latch.

**MA431 F34**



#### Classroom Security Lock with Deadbolt

Latch bolt operated by knob/lever from either side except when outside knob/lever is locked from inside or outside by key. Dead bolt retracted by key from inside or outside. Operating inside knob/lever retracts both bolts and unlocks outside. Latch bolt dead locked when dead bolt is thrown. Inside knob/lever is always free for immediate egress. Available with messaging indicator. Please specify.

**MA441 F32**



#### Classroom Security Lock

Latch bolt operated by knob/lever from either side except when outside knob/lever is locked from inside or outside by key. When outside knob/lever is locked, latch bolt is retracted by key from inside or outside or by operating inside knob/lever. Auxiliary dead latch. Inside knob/lever is always free for immediate egress. Available with messaging indicator. Please specify.

**MA451 F15**



#### Hotel Guest Lock

Latch bolt operated by key from outside or by operating inside knob/lever. Outside knob/lever is always inoperative. Dead bolt projected by turn from inside and all keys except emergency key are shut out. Operating inside knob/lever retracts both bolts. Auxiliary dead latch. Inside knob/lever is always free for immediate egress. Using MA451 in conjunction with SFIC must use Falcon SFIC mortise housing and Falcon SFIC core. Available with messaging indicator. Please specify.

**MA521 F04**



#### Entry/Office Lock

Latch bolt operated by knob/lever from either side except when outside knob/lever is made inoperative by buttons in face. When outside knob/lever is locked, latch bolt is retracted by key from outside or by operating inside knob/lever. Auxiliary dead latch. Inside knob/lever is always free for immediate egress.

**MA531 F20**



#### Apartment Corridor Door Lock

Latch bolt operated by knob/lever from either side, except when outside knob/lever is made inoperative by buttons in face. Dead bolt operated by key outside or turn inside. Key outside operates both bolts. Operating inside knob/lever retracts both bolts and outside remains locked. Latch bolt is deadlocked when outside knob/lever is made inoperative or when the dead bolt is projected. When dead bolt is retracted, knob/lever is unlocked by buttons in face. Inside knob/lever is always free for immediate egress.

\* **Caution:** Double cylinder locks on residences and any door, in any structure, which is used for egress are a life safety hazard in times of emergency and their use is not recommended. Installation should be in accordance with existing codes only.

Prices subject to change without notice

# MA-Series - Functions

LOCKS

Grade 1

Mortise

MA Series

## ANSI A156.13 Series 1000 Grade 1 Operation

**Mortise**  
FALCON ANSI  
**MA541\* F21**



**Entry or Office Lock**  
Latchbolt retracted by knob/lever from either side. Deadbolt thrown or retracted by key outside or thumbturn inside. Available with messaging indicator. Please specify. Operating the inside lever will not retract latch bolt and deadbolt simultaneously.

**MA551 F06**



**Holdback Lock**  
Latch bolt operated by lever from either side except when outside lever is locked from outside by key. Latch bolt can be locked in a retracted position by key. When outside lever is locked, latch bolt is retracted by key from outside or by operating inside lever unless latch bolt has been locked in a retracted position. Auxiliary dead latch. Inside knob/lever is always free for immediate egress.

**Note:** Chassis is handed

**MA561 F05**



**Classroom Lock**  
Latchbolt operated by knob/lever from either side except when outside knob/lever is locked by key. When outside knob/lever is locked, latchbolt is retracted by key from outside or by operating inside knob/lever. Auxiliary latch deadlocks latchbolt when door is closed. Inside knob/lever is always free for immediate egress.

**MA571 F13**



**Dormitory or Exit Lock**  
Latch bolt operated by knob/lever from either side. Dead bolt projected by key from outside and turn from inside. Operating inside knob/lever retracts both bolts and unlocks outside. Inside knob/lever is always free for immediate egress. Available with messaging indicator. Please specify.

**MA581 F07**



**Storeroom Lock**  
Latch bolt operated by key from outside or by operating inside knob/lever. Outside knob/lever is always inoperative. Auxiliary dead latch. Inside knob/lever is always free for immediate egress.

**MA621 F08/F10**



**Apartment Corridor Lock**  
Latch bolt is operated by knob/lever from either side, except when outside knob/lever is made inoperative by buttons in face. Dead bolt is operated by turn inside. Key outside operates both bolts. Inside knob/lever is always free for immediate egress.

**MA641**



**Dormitory Lock**  
Latch bolt by knob/lever inside and key outside. Inside knob/lever free. Outside knob/lever rigid. Dead bolt by key outside or T-turn inside. Rotating inside knob/lever retracts both bolts. Deadlocking latch. Inside knob/lever is always free for immediate egress. Available with messaging indicator. Please specify.

**Mortise**  
FALCON ANSI  
**MA851-12**  
**MA851-24**



**Storeroom-Fail Safe EL**  
Latch bolt operated by knob/lever from either side except when outside knob/lever is electrically locked. When outside knob/lever is locked, latch bolt retracted by key in outside cylinder. Deadlocking latch. Specify 12 or 24V DC. Inside knob/lever is always free for immediate egress.

**MA851-12RX**  
**MA851-24RX**



**Storeroom-Fail Safe EL w/ MA851-24RX Request to Exit (RX)**  
Latch bolt operated by knob/lever from either side except when outside knob/lever is electrically locked. When outside knob/lever is locked, latch bolt retracted by key in outside cylinder. RX monitors lever rotation from both sides. Compatible with normally open systems. Deadlocking latch. Specify 12 or 24V DC. Inside knob/lever is always free for immediate egress.

**MA881-12**  
**MA881-24**



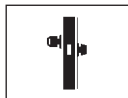
**Storeroom-Fail Secure EU**  
Latchbolt operated by knob/lever from inside except when outside knob/lever is electrically unlocked, then knob/lever from either side. When locked, key in outside cylinder retracts latch bolt. Specify 12 or 24V DC. Deadlocking latch. Inside knob/lever is always free for immediate egress.

**MA881-12RX F15**  
**MA881-24RX**



**Storeroom-Fail Secure EU**  
Latchbolt operated by knob/lever from inside except when outside knob/lever is electrically unlocked, then knob/lever from either side. When locked, key in outside cylinder retracts latch bolt. RX monitors lever rotation from both sides. Compatible with normally open systems. Deadlocking latch. Specify 12 or 24V DC. Inside knob/lever is always free for immediate egress.

**MA911**



**F29 Classroom Dead Lock**  
Key from outside operates dead bolt. Turn from inside retracts but does not project dead bolt.

**MA921**



**F18 Outside Only Deadlock**  
Dead bolt by key outside only. Available with messaging indicator. Please specify.

**MA931\***



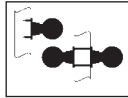
**F16 Two-sided Deadlock**  
Dead bolt by key from either side. Available with messaging indicator. Please specify.

**MA941**



**F17 Deadlock w/ inside turn**  
Dead bolt by key outside or turn inside. Available with messaging indicator. Please specify.

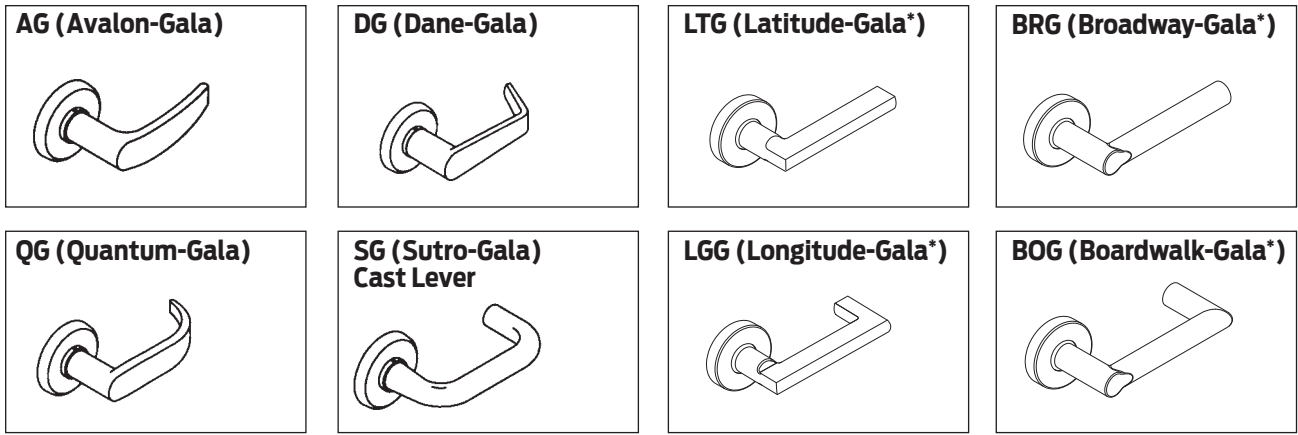
**MA12/MA18**



**Dummy Trim**  
Single or double available.  
Single (MA12)  
Double (MA18)

\* **Caution:** Double cylinder locks on residences and any door, in any structure, which is used for egress are a life safety hazard in times of emergency and their use is not recommended. Installation should be in accordance with existing codes only. No Immediate Egress.

Prices subject to change without notice



LOCKS

Grade 1

Mortise

MA Series

MA Lever/Rose Styles		Designs and Finishes								
Function	Description	AG DG QG SG** LTG* LGG* BRG* BOG*								
		626	643E	605	606	613	619	622	625	630*
<b>Single Cylinder Functions</b>										
MA521P	Entry/Office									
MA551P	Holdback									
MA561P	Classroom		\$670.00						\$682.00	
MA581P	Storeroom									
MA541P	Entry/Office									
MA571P	Dormitory Exit		692.00						704.00	
MA531P	Apartment Corridor									
MA621P	Front Door		685.00						697.00	
MA641P	Dormitory									
MA451P	Hotel		865.00						877.00	
MA851P-12 or -24 <sup>1</sup>	Elect. Storeroom (Fail Safe)		908.00						920.00	
MA881P-12 or -24 <sup>1</sup>	Elect. Storeroom (Fail Secure)									
MA851P-12RX or -24RX <sup>1</sup>	Elect. Storeroom (Fail Safe) w/ RX		1,127.00						1,139.00	
MA881P-12RX or -24RX <sup>1</sup>	Elect. Storeroom (Fail Secure) w/ RX									
<b>Double Cylinder Functions</b>										
MA371P	Store Door									
MA381P	Apartment /Exit		\$737.00						\$749.00	
MA411P	Asylum									
MA441P	Classroom Security									
MA431P	Classroom Security with deadbolt		758.00						770.00	
<b>CAUTION:</b> Double cylinder locks on residences and any door in any structure which is used for egress are a life safety hazard in times of emergency and their use is not recommended. Installation should be in accordance with existing codes only.										
<b>Non-Keyed Functions</b>										
MA101	Passage		\$523.00						\$535.00	
MA161	Exit/Connecting		425.00						431.00	
MA301	Privacy		603.00						615.00	
MA311	Privacy		692.00						704.00	
MA321	Privacy		602.00						614.00	
MA12	Half Dummy		187.00						193.00	
MA18	Full Dummy		379.00						391.00	

**Note:** 1) Specify 12 or 24VDC. Default is 12V.  
Power supply PS902 will be sufficient to operate an individual lock for multiple lock installation - see Power Supply section.

\* Latitude, Longitude, Broadway and Boardwalk levers not available in 630 finish.

\*\* Sutro-Gala trim not available in 619, 622 or 643e finishes.

Prices subject to change without notice

# MA-Series - Complete Locks

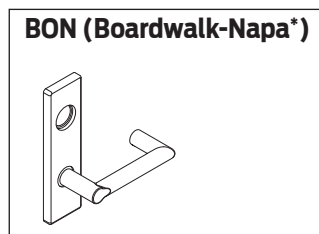
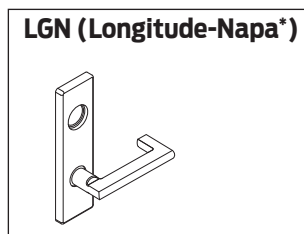
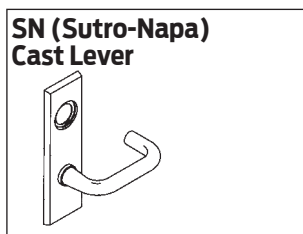
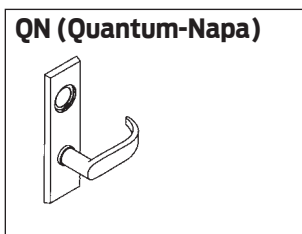
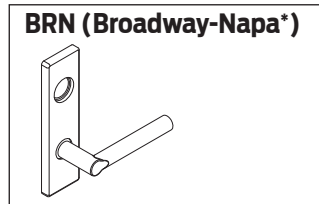
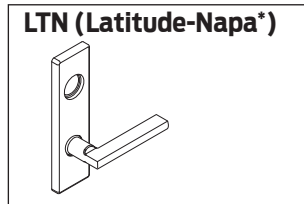
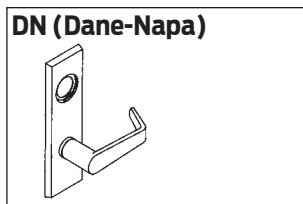
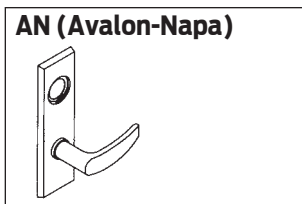
Grade 1 Mortise Locks with Cast/Forged or Heavy Wrought Trim ANSI-A156.13, SERIES 1000, GRADE 1

LOCKS

Grade 1

Mortise

MA Series



## MA Lever Escutcheon Styles

Function	Description	Designs and Finishes															
		AN		DN		QN		SN**		LTN*		LGN*		BRN*		BON*	
		626	643E	605	606	613	619	622	625	630							
<b>Single Cylinder Functions</b>																	
MA521P	Entry/Office																
MA551P	Holdback																
MA561P	Classroom																
MA581P	Storeroom																
MA541P	Entry/Office																
MA571P	Dormitory Exit																
MA531P	Apartment Corridor																
MA621P	Front Door																
MA641P	Dormitory																
MA451P	Hotel																
MA851P-12 or -24 <sup>1</sup>	Elect. Storeroom (Fail Safe)																
MA881P-12 or -24 <sup>1</sup>	Elect. Storeroom (Fail Secure)																
MA851P-12RX or -24RX <sup>1</sup>	Elect. Storeroom (Fail Safe) w/ RX																
MA881P-12RX or -24RX <sup>1</sup>	Elect. Storeroom (Fail Secure) w/ RX																
<b>Double Cylinder Functions</b>																	
MA371P	Store Door																
MA381P	Apartment/Exit																
MA411P	Asylum																
MA441P	Classroom Security																
MA431P	Classroom Security with deadbolt																
<b>CAUTION:</b> Double cylinder locks on residences and any door in any structure which is used for egress are a life safety hazard in times of emergency and their use is not recommended. Installation should be in accordance with existing codes only.																	
<b>Non-Keyed Functions</b>																	
MA101	Passage																
MA161	Exit/Connecting																
MA301	Privacy																
MA311	Privacy																
MA321	Privacy																
MA12	Half Dummy																
MA18	Full Dummy																

**Note:** 1) Specify 12 or 24 VDC.

Power supply PS902 will be sufficient to operate an individual lock for multiple lock installation - see Power Supply section.

\* Latitude, Longitude, Broadway and Boardwalk levers not available in 630 finish.

\*\* Sutro-Napa trim not available in 619, 622 or 643e finishes.

Prices subject to change without notice

## MA Series Mortise Deadlocks - Escutcheon Only (No Lever Trim)

Function	Description	List Price		
		626, 643E	605 606 613 619 622 625 630	
MA911P	Classroom Deadlock	\$558.00	\$570.00	
MA921P	Deadlock by key outside	517.00	529.00	
MA931P**	Deadlock by key from either side, Double Cylinder lock	557.00	569.00	
MA941P	Single Cylinder, Thumbturn inside	651.00	663.00	

**\*\*CAUTION:** Double cylinder locks on residences and any door in any structure which is used for egress are a life safety hazard in times of emergency and their use is not recommended. Installation should be in accordance with existing codes only.

**Notes:** If ordered with Napa Escutcheon Trim - add \$148 (both sides will be included)

1) Deadlock case comes with appropriate scalp (front).

## Conventional Mortise Cylinders

Pins	Length	Description	Number	626 643e	605 606 613 619 622 625 630
5 or 6	1-1/8	Mortise	985	\$71.00	\$75.00
	1-1/4		986		
5, 6, or 7	1-3/8	Mortise	987	71.00	75.00
	1-1/2		988	93.00	97.00
	1-3/4		990	118.00	122.00
	2		992	123.00	127.00
	6		1-1/8	Mortise, hotel function*	250
6	1-1/4	251			
6	1-3/8	252			
7	1-3/8		253		
-	1-1/8	Mortise thumbturn cylinder **	985T	110.00	114.00
	1-1/4		986T		
-	1	Dummy	984D	42.00	46.00
	1-1/8		985D		

\* Hotel mortise cylinder are only offered as Master keyed or 6-pin 0-bitted and must be specified. If not specified, 0-bitted furnished.

\*\* Important: When using 985T or 986T Falcon mortise thumbturn cylinder, if the turn is left in the 180 position it could interfere with cylinder retraction on the outside.

**Notes:** 1) Cylinders are furnished 5-pin G keyway, keyed differently unless otherwise specified.

2) Restricted sections see page 131. See Keys & Keying for standard keyways. Contact 877-671-7011 for availability.

3) MA cam (5622-STD) provided unless otherwise specified.

4) For 7-pin conventional add \$13.50.

5) All mortise cylinders will be furnished with cam 5622-STD, except for MA381 function which will be supplied with 5620-STD and 5621-STD. See page 142 for additional available cams.

6) Mortise and rim cylinders are not available in any competitor keyway.

7) 984D, 985D not available in 629 and 630.

8) Conventional mortise cylinder with Schlage C keyway are available with the following cams only, 5622-STD & B502-191. Specify XQ11-949 when ordering with cylinder dogging. MA451 (Hotel Function) is not available in Schlage C keyway for conventional cylinders.

9) Add \$12.30 (list) for Falcon restricted keyways. See page 4 for standard keyways. All others are restricted. Falcon conventional cylinder restricted keyways use a unique pin kit (P/N 1417) and cutter wheel for keys.

10) 985T is not available in 619, 622, 625 and 643e.

## SFIC MA Series housings only

Cat. Number	Length	Pins	Description	626, 643E	605 606 613, 619 622 625 630
C987-xx	13/8"	6 or 7	Mortise	\$42.00	\$44.00
C988-xx	11/2"	6 or 7	Mortise		
C990-xx	13/4"	6 or 7	Mortise	55.00	57.00
C991-xx	17/8"	6 or 7	Mortise	58.00	60.00
C992-xx	2"	6 or 7	Mortise	58.00	60.00
C997-xx	13/8"	6 or 7	Mortise, unassembled, less cam	28.00	30.00
C262-xx	15/8"	6 or 7	Mortise, hotel function RH	76.00	78.00
C265-xx	15/8"	6 or 7	Mortise, hotel function LH		

**Notes:** 1) All mortise cylinders will be furnished with cam 5622-IC, except for MA381 function which will be supplied with 5620-IC and 5621-IC. See page 142 for additional available cams.

2) C977 is only furnished with 012667-001 Adams Rite Cam.

3) 625 finish only available on C997-xx.

**Prices subject to change without notice**

# MA-Series - Cylinder Options

LOCKS

## Conventional Cylinder options

Description	Specify	Add to Lock Price
5 pinned cylinder	P Suffix Example: MA581P	STD
6 pinned cylinder	P6 Suffix Example: MA581P6	N/C
7 pinned cylinder	P7 Suffix Example: MA581P7	\$13.50
6 pinned Competitor keyway cylinders*	P6 Suffix Example: MA581P6 (0 Bitted, KD, KA4 only)	7.60

\* Competitor keyways are furnished 0 bitted, unless otherwise specified. Not available Master keyed.

**Notes:** 1) Finishes: 606, 622, & 626 only

- 2) Specify keyway
- 3) Cylinders are furnished G keyway, keyed differently unless otherwise specified.
- 4) Restricted sections add \$12.30 to list price. See page 4 for list of standard keyways. All other keyways are considered restricted. Contact 877-671-7011 for availability.
- 5) 622 Finish is available only on Allegion cylinders (P, P6, & P7) in C & G Keyways.

Grade 1

Mortise

## Small Format Interchangeable Core and Small Format Construction Core

Description	Specify	Add to Lock Price (per core)
Small format core (BEST Style) *	BB6/7 Suffix Example: MA581BB6	\$50.00
Small format core (Best Falcon Style) *	G6/7 Suffix Example: MA581G6	
Small format construction core **	H Suffix Example: MA581HD	50.00
Less Small format core	B Suffix Example: MA581BD	N/C
Small format disposable core	BDC Suffix Example: MA581BDC	N/C

\* Keying must be specified

\*\* Locks are assessed one non-refundable handling charge (50-231F) per core.

**Note:** 6) Control keys are not furnished with locks and must be ordered separately. See page 141 for details.

7) 622 Finish is available only on SFIC (G) in C & G Keyways.

8) Using MA451 in conjunction with SFIC must use Falcon SFIC mortise housing and Falcon SFIC core.

MA Series

Prices subject to change without notice



# Strikes and Armor Fronts - MA-Series

LOCKS

Grade 1

Mortise

MA Series

MA-Series Strikes with Locks			
Descriptions	Lip Length	Specify	Add to Lock Price
			605, 606, 613 622, 625, 626, 643E
Standard - 1-3/4" Door Thickness	1-1/4"	A8737-1	N/C
Optional - 2" Door Thickness	1-7/16"	A8737-2	
Optional - 2-1/4" Door Thickness	1-9/16"	A8737-3	
Optional - 2-1/2" Door Thickness	1-11/16"	A8737-4	
Optional - 1-3/4" Door Thickness	7/8"	A8737-5	

MA-Series Strikes Sold Separately			
Descriptions	Lip Length	Specify	Price
			605, 606, 613 622, 625, 626, 643E
Standard - 1-3/4" Door Thickness	1-1/4"	A8737-1	\$27.50
Optional - 2" Door Thickness	1-7/16"	A8737-2	35.90
Optional - 2-1/4" Door Thickness	1-9/16"	A8737-3	
Optional - 2-1/2" Door Thickness	1-11/16"	A8737-4	
Optional - 1-3/4" Door Thickness	7/8"	A8737-5	

Note: Strikes for MA locks with finishes 629 and 630 are supplied in 625 and 626.

MA-Series Armor Fronts (Scalps) Sold Separately		
Descriptions	Part Number	Price
		605, 606, 613 622, 629, 630, 643E
MA101, 321	S77801-LL	\$50.50
MA521	S77804-LL	
MA161, 381, 411, 441, 561, 581, 851, 881, 551	S77805-LL	
MA621	S77811-LL	
MA451, 641	S77815-LL	
MA911, 921, 931, 941	S77816-LL	
MA301, 311, 371, 541, 571, 431	S77819-LL	
MA531	S77820-LL	

- Notes:** 1) Armor front is included in complete MA lock  
 2) Screws not provided with armors or strikes when ordered separately.  
 Please order S76300 if additional screws are required.

Prices subject to change without notice

# MA-Series - Cases and Trim

LOCKS

Grade 1

Mortise

MA Series

## MA-Series Lock Case

Part Number	Description	List Price
A7801-xx	MA101	134.00
A7831-xx	MA161	234.00
A7802-xx	MA301	118.00
A7819-xx	MA311	216.00
A7822-xx	MA321	117.00
A7814-xx	MA371	229.00
A7809-xx	MA381	229.00
A7830-xx	MA411	229.00
A7815-xx	MA451	378.00
A7804-xx	MA521	225.00
A7820-xx	MA531	189.00
A7821-xx	MA541	189.00
A7805-xx	MA561, 441	229.00
A7813-xx	MA571, 431	251.00
A7807-xx	MA581	225.00
A7808-xx	MA621	181.00
A7815-xx	MA641	378.00
A7806-xx	MA551	225.00
A7851-12-xx	MA851 12V	487.00
A7851-24-xx	MA851 24V	487.00
A7881-12-xx	MA881 12V	487.00
A7881-24-xx	MA881 24V	487.00
A7851-12RX-xx	MA851 12V RX	728.00
A7851-24RX-xx	MA851 24V RX	728.00
A7881-12RX-xx	MA881 12V RX	728.00
A7881-24RX-xx	MA881 24V RX	728.00
A7829-xx	MA911	297.00
A7816-xx	MA921, 931, 941	227.00

Notes: 1) xx Specify handing: RH= Right hand. LH= Left hand. RR = Right hand reverse. LR = Left hand reverse.  
 2) Does not include armor front

## MA-Series Lever Assemblies

Part Number	Description	List Price				
		626	643E	605 622	606 625	613 619 630
AS76029-L/RH	Avalon, sectional trim	\$147.00		\$150.00		
AS76140-L/RH	Quantum, sectional trim					
AS76526-L/RH	Sutro, sectional trim					
AS76280-L/RH	Dane, sectional trim					
AS76321-L/RH	Broadway, sectional trim (Not available in 630 finish)					
AS76310-L/RH	Boardwalk, sectional trim (Not available in 630 finish)					
AS76360-L/RH	Latitude, sectional trim (Not available in 630 finish)					
AS76760-L/RH	Longitude, sectional trim (Not available in 630 finish)					
AE77321-L/RH	Broadway, escutcheon trim (Not available in 630 finish)					
AE77310-L/RH	Boardwalk, escutcheon trim (Not available in 630 finish)					
AE77360-L/RH	Latitude, escutcheon trim (Not available in 630 finish)					
AE77760-L/RH	Longitude, escutcheon trim (Not available in 630 finish)					
AE77029-L/RH	Avalon, escutcheon trim					
AE77140-L/RH	Quantum, escutcheon trim					
AE77526-L/RH	Sutro, escutcheon trim					
AE77280-L/RH	Dane, escutcheon trim					

Notes: 3) Specify finish and handing  
 4) Lever assemblies include one lever assembly with spring cage.

## MA-Series Rose

Part Number	Description	List Price				
		626	643E	605 622	606 625	613 619 630
S76012	Rose, Gala	\$37.90		\$40.90		
AS76853	Emergency Coin Turn Rose Turn for MA 301/311/321	39.30		42.30		
AS75319	Thumbturn assembly for sectional trim for MA 301/311/321 when door thickness is less than 2"	39.30		42.30		
AS76319	Thumbturn Assembly for sectional trim for all functions except MA 301/311/321 when door thickness is less than 2"					

Notes: 5) Specify finish

## MA-Series ROSE with INDICATOR (Only available for 1-3/4" and 1-7/8" door thicknesses.)

Part Number	Description	List Price	
		626	630
AE55012-OT	Outside indicator, sectional trim, MA301/311/321.	\$113.00	\$116.00
AE55012-OC	Outside Indicator, sectional trim, All functions except MA 301/311/321/441.		

Notes: 6) Specify finish  
 Prices subject to change without notice

MA-Series Escutcheons		
Part Number	Description	List Price
		626 643E 605 606 613 619 622 625 630
AE77012-OP	Napa, Outside lever opening	\$90.20
AE77012-OC	Napa, Outside Cylinder and lever openings	
AE77012-OK	Napa, Outside Cylinder only opening	
AE77012-OT	Napa, Outside Emergency key and lever opening	
E77012-IP	Napa, Inside lever opening	
E77012-IB	Napa, inside Blank, no lever opening	108.00
AE77012-IT	Napa, Inside lever opening with thumbturn attached	
AE77012-IE	Napa, Inside no lever opening with thumbturn attached	
E77012-IC	Napa, Inside Cylinder and lever opening	111.00
E77012-IK	Napa, Inside Cylinder only opening	

Note: 1) Specify finish

MA-Series ESCUTCHEONS with INDICATOR (Only available for 1-3/4" and 1-7/8" door thicknesses.)		
Part Number	Description	List Price
		626 630
AE87012-OT	Napa, outside indicator escutcheon trim, MA301/311/321. Vacant/Occupied.	\$135.00
AE87012-OK	Napa, outside indicator escutcheon trim, MA921/931/941. Vacant/Occupied.	
AE87012-OC	Napa, outside indicator escutcheon trim, all other functions. Vacant/Occupied.	
AE87012-IC	Napa, inside indicator escutcheon trim, MA441. Vacant/Occupied.	

Note: 2) Specify finish

MA-Series Screw Packs		
Part Number	Description	List Price
		606 613 630
S76300	1-3/4" - 1-7/8" door thickness, sectional trim with levers	\$29.40
S76301	Over 1-7/8" - 2-1/2" door thickness, sectional trim with levers	
E77301	Over 1-7/8" - 2-1/2" door thickness, escutcheon trim with levers	
E77303	Over 1-7/8" - 2-1/2" door thickness, escutcheon trim with knobs	
S76306	Torx screw pack, sectional trim, no turn	
S76307	Torx screw pack, sectional trim, with turn	
E77306	Torx screw pack, escutcheon trim, standard	
E77307	Torx screw pack, escutcheon trim, over 1-7/8" - 2-1/2" door thickness	
S76302	1-3/4" - 1-7/8" door thickness, sectional trim with knobs	
S76303	Over 1-7/8" - 2-1/2" door thickness, sectional trim with knobs	
E77300	1-3/4" - 1-7/8" door thickness, escutcheon trim with levers	
E77302	1-3/4" - 1-7/8" door thickness, escutcheon trim with knobs	

Notes: 3) Specify finish (Screw packs not available in 622 finish)  
 4) Non torx screw packs contains armor front screws, strike screws, trim screws, mortise screws, spindle, mounting posts  
 5) Torx screw packs contain armor front, strike and trim screws only

MA/M-Series Miscellaneous Parts		
Part Number	Description	List Price
PE1396	Dust Box, standard with lock	\$6.30
005099-000-30	Metal Dust Box	11.80
S76806	Spindles (2) for lever on standard door thickness or knob on door thickness 1-7/8" - 2-1/2"	8.00
S76816	Spindles (2) for lever on door thickness 1-7/8" - 2-1/2"	8.00
S76206	Spindles (2) for knob on standard door thickness	8.00
S76802	Spindles (2) for connecting door, MA161	8.00
AS5813	Mounting plate for use with no outside trim	21.10
030057-002	Replacement M lock lever return spring*	11.30

Note 6): \*Return spring is for the old Falcon M mortise lock not the current Falcon MA mortise lock.

Prices subject to change without notice

# MA-Series • Options

LOCKS

Grade 1

Mortise

MA Series

Locks Less Components		
Description	Specify	Deduct from Lock Price
Less each lever	LLL for knob/lever design Example: MA581P LLL/DG x DG	\$31.70
Less each escutcheon	LLL for escutcheon design Example: MA581P DN x DN/LLL	32.10
Less each rose	LLL for rose design Example: MA581P DG x DG/LLL	8.20
Less standard cylinder	L suffix Example: MA581L DG	70.00
Less standard hotel cylinder	L suffix Example: MA451L DG	70.00
Less armor front	LLL for latch Example: MA581P DG 626 LLL 21315R	27.10
Less strike	LLL for strike Example: MA581P DG 626 20099 LLL	14.10

**Notes:** 1) MA-series locks ordered less all components will be furnished as lock cases. See page 35 for part numbers.  
2) Sum of applicable deducts, use DG (Dane Gala) and specified finish for base price.

Non-Standard Door Thickness		
Description	Specify	Add to Lock Price
Over 1 7/8" – 2 1/2" thick doors	Door thickness and how door is extended Example: 2", EE	\$98.70

**Notes:** 3) Must indicate how lock will be extended: Extended Inside (EI) on non-thumb turn functions only  
Extended Outside (EO) on all functions  
Extended Equally (EE) on all functions  
4) MA451 has maximum 1-3/4" door thickness

Abrasive (Available on Avalon, Dane, Quantum and Sutro)		
Description	Specify	Per Lever - Add to Lock Price
6 Prefix	Example: 6 DG for Dane Gala* * G6 Prefix (Abrasive) not available in 613	\$68.50

**Note:** 5) Abrasive option not available on Latitude, Longitude, Broadway, & Boardwalk levers.

Knurling (Available on Avalon, Dane, Quantum and Sutro)		
Description	Specify	Per Lever - Add to Lock Price
8 Prefix	Example: 8 DG for Dane Gala** **Knurling only available in 626 finish and levers only	\$102.00

**Note:** 6) Knurling option not available on Latitude, Longitude, Broadway, & Boardwalk levers.

Lead Wrap		
Description	Specify	Add to Lock Price
9 Prefix	Example: 9 DG for Dane Gala	\$219.00

**Note:** 7) Lead Wrap option not available on Latitude, Longitude, Broadway, & Boardwalk levers.

Allegion Connect		
Suffix		List Add
CON	Cross-category solution using common interconnect components for electrified options. Available on the MA851 and MA881 functions including all voltage (12 or 24) and RX options. <i>For wire harness options refer to Electronic Power Supplies section.</i>	N/C

Indicators (Only available for 1-3/4" and 1-7/8" door thicknesses.)		
Description	Specify	Add to Lock Price
OCCUPIED/VACANT message indicator. For Sectional and Escutcheon Trim	Add M Suffix to trim. Example: DGM for Dane Gala	\$111.00

**Note:** 8) Optional Vacant available on the following functions: MA301, MA311, MA321, MA371, MA431, MA451, MA541, MA571, MA641, MA921, MA931, MA941 on the outside of door.  
Optional Vacant available on the following functions: MA441 on the inside of door.  
Available in 626 (Satin Chrome) or 630 (Satin Stainless) finish only.

Prices subject to change without notice

MA-Series Trim Packages			List Price	
Cat. Number	Function	Specify Style	626	605 606 613
			643E*	619* 622* 625 630**
TP 50 S	101, 371, 381, 411, 431, 441, 521, 551, 561, 581, 851, 881	Dane, Sutro, Avalon, Quantum, Latitude, Longitude, Boardwalk	\$366.00	\$378.00
TP 60 C	301, 311, 321	Dane, Sutro, Avalon, Quantum, Latitude, Longitude, Boardwalk	399.00	411.00
TP 70 T	451, 531, 541, 571, 621, 641	Dane, Sutro, Avalon, Quantum, Latitude, Longitude, Boardwalk	426.00	438.00
TP 55 E	101	Dane, Sutro, Avalon, Quantum, Latitude, Longitude, Boardwalk	441.00	453.00
TP 65 E	311, 321, 301	Dane, Sutro, Avalon, Quantum, Latitude, Longitude, Boardwalk	462.00	474.00
TP 75 E	431, 441, 411, 371, 381	Dane, Sutro, Avalon, Quantum, Latitude, Longitude, Boardwalk		
TP 85 E	551, 881, 851, 581, 561, 521	Dane, Sutro, Avalon, Quantum, Latitude, Longitude, Boardwalk		
TP 95 E	641, 541, 531, 571, 621, 451	Dane, Sutro, Avalon, Quantum, Latitude, Longitude, Boardwalk		

**Notes:**

- S** = Sectional, No Thumbturn, up to 2 cylinders
- C** = Sectional, Thumbturn, no cylinder
- T** = Sectional, Thumbturn & cylinder
- E** = Escutcheon Trim

1) Specify Lever style and finish

2) Contains inside and outside trim, screw pack with mounting hardware. Does not include armor front or strike.

3) If Abrasive option is required on trim package, add additional \$68.50 to list price. Not available on Latitude, Longitude, Boardwalk and Boardwalk levers.

4) If Knurling option is required on trim package, add additional \$102.00 to list price. Not available on Latitude, Longitude, Boardwalk and Boardwalk levers.

\* Sutro-Gala and Sutro-Napa Levers not available in 619, 622 or 643e finishes.

\*\* Latitude, Longitude, Boardwalk and Boardwalk levers not available in 630 finish.

Prices subject to change without notice

**LOCKS**

Grade 1

Mortise

MA Series

Prices subject to change without notice

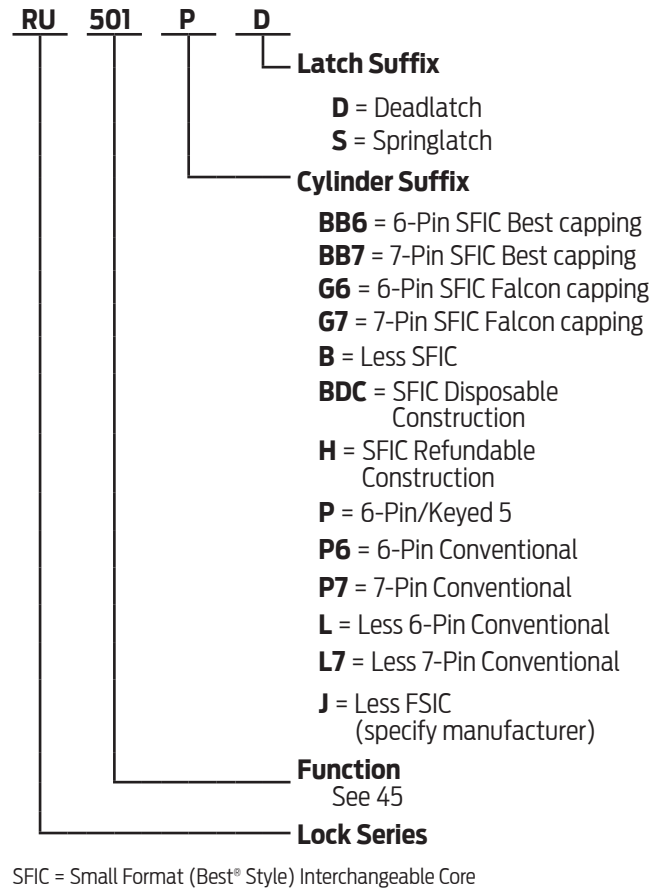
**Table of Contents**

**Function Chart** 41  
**Complete Lock Pricing** 42  
**Order Detail** 43

**Options**  
 Latches ..... 43  
 Strikes ..... 43  
 Cylinder Requirements..... 45  
 Competitor Cylinders..... 46

**Parts**  
 Complete Cylinders ..... 47  
 Conventional Cylinder Options..... 47  
 Lock Less Components ..... 48  
 Tactile Warning ..... 48  
 Lead Lining ..... 48  
 Levers ..... 49  
 Roses ..... 49  
 Misc. Parts..... 50  
 Screws..... 50  
 Tailpieces..... 51

**Product Identification**



**Finish Codes and Descriptions**

Code		Description
613	(US10B)	Oil Rubbed Bronze
626	(US26D)	Satin Chrome

**Standard Features** - Furnished unless otherwise specified



Certification	ANSI A156.2, Series 2000, Grade 1, UL Listed for 3-Hour fire door
Latch	1-1/8" x 2-1/4", Square corner faceplate, 1" housing diameter, 1/2" throw, 2-3/4" backset
Strike	1-1/4" x 4-7/8", ANSI, Square corner, with dust box
Cylinder	6-Pin, Solid brass, Keyed 5-Pin, Falcon G keyway, Keyed different (KD)
Door Range	1-3/4" - 2-1/8" standard
Keys	Two, Nickel silver cut keys per lock, Falcon G keyway

Prices subject to change without notice

# RU Series

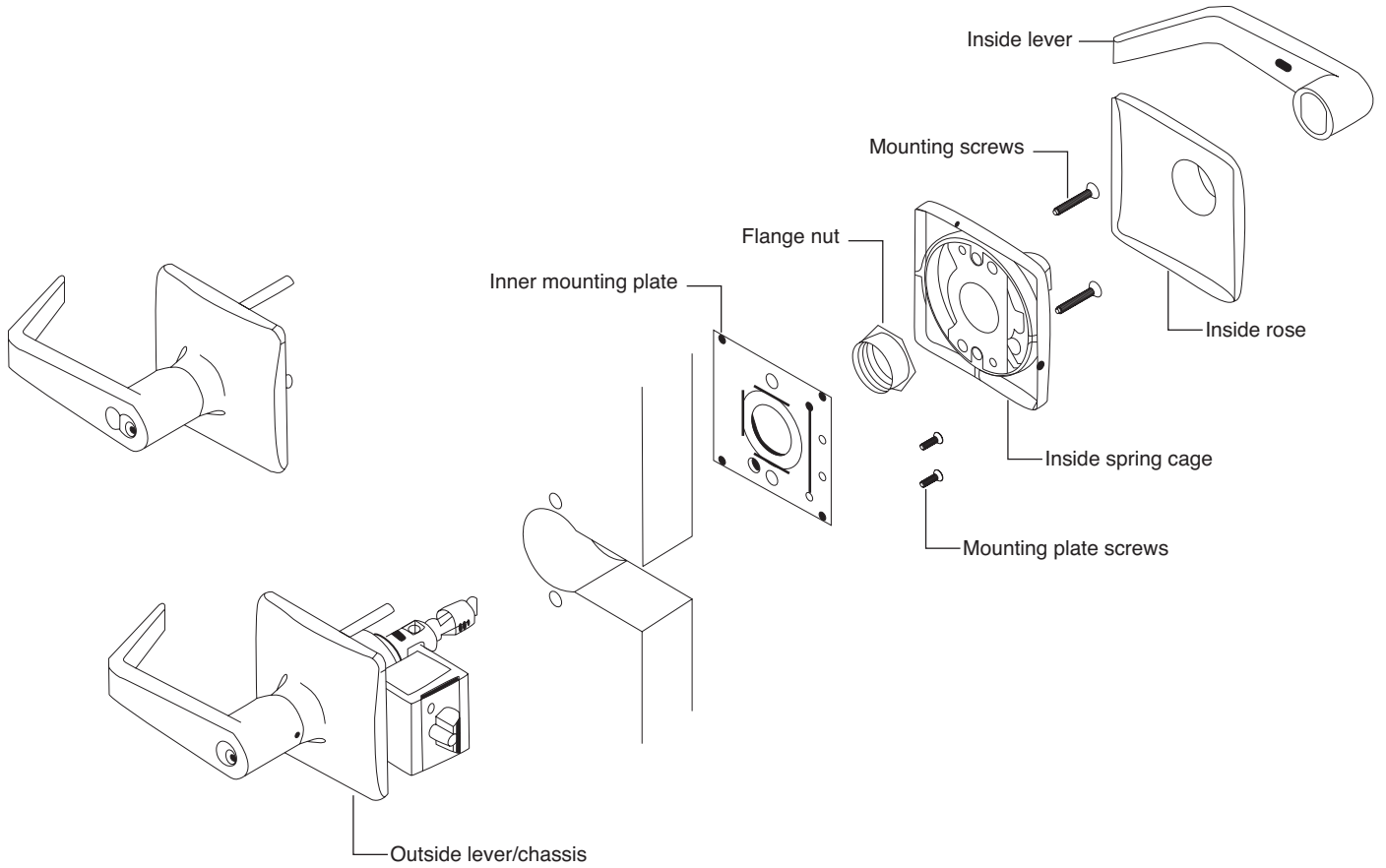
## GRADE 1 PREASSEMBLED LOCK

LOCKS

Grade 1

Preassembled

RU Series



Prices subject to change without notice



## ANSI A156.2, Series 2000 Grade 1

### Retrofit Locks

FALCON ANSI

**RU101 F36**



#### Passage/Closet Latchset

Latch bolt by levers at all times.

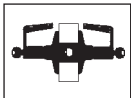
**RU301 F37**



#### Privacy/Bedroom/Bath Lock

Latch bolt by levers. Outside lever locked by push button in inside lever. Rotating inside lever or closing door releases push button. Emergency release in outside lever unlocks door.

**RU381 F45**



#### Classroom Security Lock

Latchbolt operated by lever from either side except when key from inside lever locks outside lever. When outside lever is locked, latchbolt retracted by key in outside lever or by turning inside lever.

**RU411**



#### Asylum Lock\*

Deadlocking latch bolt by key from either side at all times. Both levers inoperable.

**RU501 F41**



#### Entry Lock

Push button locking. Button on inside locks outside lever until unlocked by key or by rotating inside lever. Inside lever always free. Deadlocking latch bolt.

**RU511 F40/F41**



#### Entry/Office Lock

Turn/push button locking. Pushing and turning button locks outside lever requiring use of key until button is manually unlocked. Push button locking. Pushing button locks outside lever until unlocked by key or by rotating inside lever. Inside lever always free. Deadlocking latch bolt.

### Retrofit Locks

FALCON ANSI

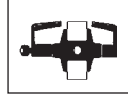
**RU521 F40**



#### Office Lock

Turn button locking. Turning button locks outside lever requiring use of key until button is manually unlocked. Inside lever always free. Deadlocking latch bolt.

**RU561 F42**



#### Classroom Lock

Deadlocking latch bolt by levers. Outside lever is locked by key in outside lever. Inside lever is always free.

**RU571 F48**



#### Dormitory/Corridor Lock

Deadlocking latch bolt by levers except when locked by push button in inside lever. Key in outside lever locks or unlocks lever and releases button. Closing door releases push button. Inside lever always free.

**RU581 F44**



#### Storeroom Lock

Deadlocking latch bolt by lever inside or key outside. Outside lever is inoperable. Inside lever always free.

**RU851**



#### Storeroom (Electrified-Fail Safe)

Latch bolt operated by lever from either side except when outer lever is electrically locked. When outer lever is locked (inoperable), latch bolt retracted by key in cylinder outside. 24 volt DC .185 Amps, continuous duty.

**RU881**



#### Storeroom (Electrified-Fail Secure)

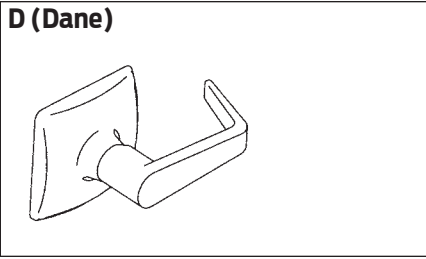
Deadlocking latch bolt operated by lever inside at all times. Outside lever inoperable until electrically unlocked, then latch bolt from either side. When outside lever is inoperable, latch bolt retracted by key in cylinder outside. 24 volt DC .185 Amps, continuous duty.

\* **Caution:** Double cylinder locks on residences and any door, in any structure, which is used for egress are a life safety hazard in times of emergency and their use is not recommended. Installation should be in accordance with existing codes only.

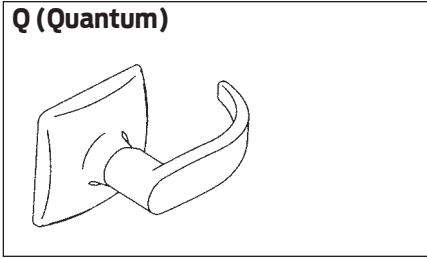
Prices subject to change without notice

LOCKS

**D (Dane)**



**Q (Quantum)**



## Key-In-Lever

Function	Description	Designs and Finishes	
		D Q	D
		626	613
<b>Single Cylinder Functions</b>			
RU501PD	Entry	\$947.00	\$959.00
RU511PD	Entry/Office		
RU521PD	Entry/Office		
RU561PD	Classroom		
RU571PD	Dormitory/Corridor		
RU581PD	Storeroom		
<b>Single Cylinder Functions - Electrified</b>			
RU851PD	Elec. Storeroom – Fail Safe	1,432.00	1,444.00
RU881PD	Elec. Storeroom – Fail Secure		
<b>Double Cylinder Functions</b>			
RU381PD	Classroom Security	1,046.00	1,058.00
RU411PD	Asylum		
<b>CAUTION:</b> Double cylinder locks on residences and any door in any structure which is used for egress are a life safety hazard in times of emergency and their use is not recommended. Installation should be in accordance with existing codes only.			
<b>Non-Keyed Functions</b>			
RU101S	Passage	\$788.00	\$800.00
RU301S	Privacy	881.00	893.00

Grade 1

Preassembled

RU Series

Prices subject to change without notice

Latches with Locks					
Latch	Description	Door Thickness			Add to Lock Price
		1-3/4"	2"	2-1/4"	
314691	2-3/4" Latch height 1-3/4" x 1/2 Proj. Std.	Default			N/C
314692	2-3/4" Latch height 2-1/16" x 1/2 Proj.	•			N/C
314693	2-3/4" Latch height 2-5/8" x 1/2 Proj.	•			N/C
314694	2-3/4" Latch height 2-11/16" x 1/2 Proj.	•			N/C
315491	2-3/4" Latch height 1-3/4" x 3/4 Proj.	•			\$187.00
315492	2-3/4" Latch height 2-1/16" x 3/4 Proj.	•			187.00
315493	2-3/4" Latch height 2-5/8" x 3/4 Proj.	•			187.00
315494	2-3/4" Latch height 2-11/16" x 3/4 Proj.	•			187.00
316231	2-3/4" Latch height 1-3/4" x 1/2 Proj.		Default		N/C
316232	2-3/4" Latch height 2 1/16" x 1/2 Proj.		•		N/C
316233	2-3/4" Latch height 2 5/8" x 1/2 Proj.		•		N/C
316234	2-3/4" Latch height 2 11/16" x 1/2 Proj.		•		N/C
316241	2-3/4" Latch height 1-3/4" x 1/2 Proj.			Default	N/C
316242	2-3/4" Latch height 2 1/16" x 1/2 Proj.			•	N/C
316243	2-3/4" Latch height 2 5/8" x 1/2 Proj.			•	N/C
316244	2-3/4" Latch height 2 11/16" x 1/2 Proj.			•	N/C

Strikes with Locks		
Description	Specify	Add to Lock Price
ANSI, 1-1/4" x 4-7/8" standard	5164	N/C
Early Corbin Russwin single door	31471	
Early Corbin Russwin single door	31471S	
Early Corbin Russwin pair doors	31472	
Yale Mono Pair of Doors	31473	\$111.00
Early Corbin	31474	
Early Russwin Unit Lock	31477	
ANSI Dust Box 1" deep steel	005099-000 30	N/C
3/4 deep for 3-1/4" high strike, dust box	031453-000 30	2.80

Latches sold separate				
Finishes: 613, 626				
Backset	Description	Spring Latch	Dead Latch	List Price
2-3/4"	Latch height 1-3/4" x 1/2 Proj.	A31469-001	A31469-01D	\$118.00
	Latch height 2-1/16" x 1/2 Proj.	A31469-002	A31469-02D	155.00
	Latch height 2-5/8" x 1/2 Proj.	A31469-003	A31469-03D	162.00
	Latch height 2-11/16" x 1/2 Proj.	A31469-004	A31469-04D	
	Latch height 1-3/4" x 3/4 Proj.	-	A31549-01D	232.00
	Latch height 2-1/16" x 3/4 Proj.	-	A31549-02D	
	Latch height 2-5/8" x 3/4 Proj.	-	A31549-03D	
	Latch height 2-11/16" x 3/4 Proj.	-	A31549-04D	

Strikes sold separate			
Finishes: 613, 626, 630			
Description	Lip Length	Specify	List Price
ANSI, 1-1/4" x 4-7/8" standard	1-3/16"	005164-000	\$16.10
Early Corbin Russwin single door (center line same as early Corbin Russwin)		031471-000	19.40
Early Corbin Russwin single door (center line is different than early Corbin Russwin)		031471-001	
Early Corbin Russwin pair doors		031472-000	104.00
Yale Mono Pair of Doors		031473-000	
Early Corbin		031474-000	
Early Russwin Unit Lock		031477-000	
ANSI Dust Box 1" deep steel		005099-000 30	11.80
3/4 deep for 3-1/4" high strike, dust box -		031453-000 30	2.80

Prices subject to change without notice

# RU-Series - Order Detail

LOCKS

Grade 1

Preassembled

RU Series

## Ordering Format

Qty.	Catalog Number	Trim Design	Finish	Latch Height	Strike Part No.	Hand	Cylinder	Other Requirements
8	RU521	D	626	1 <sup>3</sup> / <sub>4</sub> "	031471-000	RH	Less	IC-CR Cylinder

When evaluating the retrofit requirements for an RU Series lockset, the following questions need to be answered.

Which manufacturer's unit lock is currently installed?

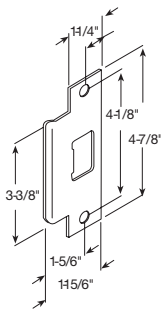
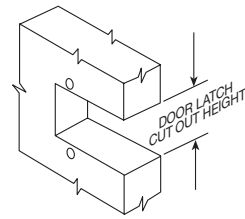
- Russwin     Corbin     Corbin Russwin     Yale     Falcon

What is the existing latch height? To determine latch height measure existing latch height as shown here:

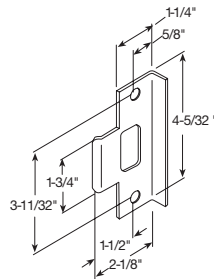
Latch heights currently identified and the manufacturer:

- 1<sup>3</sup>/<sub>4</sub>" Most Corbin & Russwin sold 1949 thru current; Yale 6200
- 2<sup>1</sup>/<sub>16</sub>" Corbin, Falcon
- 2<sup>5</sup>/<sub>8</sub>" Certain Corbin (O)2400 Series sold 1913-1953
- 2<sup>11</sup>/<sub>16</sub>" Russwin 2100 & 2800 Series sold 1904-1968

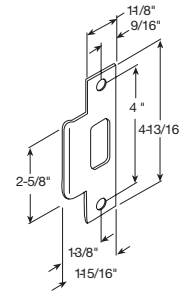
What is the existing strike condition?



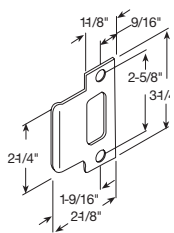
**0005164-000**



**031477-000**  
Early Russwin  
Unit Lock

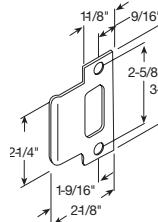


**031474-000**  
Early Corbin



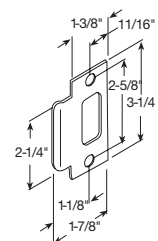
**031471-000**

**Note:** Strike, Door and Lock Same Center Line Early Corbin Russwin Single Door

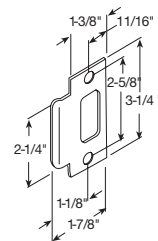


**031471-001**

**Note:** Strike Center Line is not the Same as Door and Lock Early Corbin Russwin Single Door



**031472-000**  
Early Corbin Russwin  
Pair of Doors



**031473-000**  
Yale Mono  
Pair of Doors

What is the existing door thickness?

Locks are for 1<sup>3</sup>/<sub>4</sub>" thick doors only.

Prices subject to change without notice

Specify cylinder requirements.

**Note:** Locks furnished with Falcon's standard "G" keyway cylinder or prepared for Falcon interchangeable core unless otherwise specified.

**With Cylinder**

**Falcon IC**

- 6-pin
- 7-pin

**Falcon Standard**

- Schlage - C, 0 Bitted, KD, KA4
- Schlage - E, 0 Bitted
- 6-pin

*specify keyway*

- 7-pin

*specify keyway*

**Competitors' Keyways - 6-pin Standard Cylinder\***

- Corbin - 60, 0 Bitted, KD
- Russwin - D1, 0 Bitted, KD
- Sargent - LA, 0 Bitted, KD (Also accepts LB, LC keys)
- Yale - 8 (Para), 0 Bitted, KD

\* Generic replacement cylinders with competitors' keyways.

**Less Cylinder - Prepared to Accept\*\***

- Falcon IC**

**Falcon Standard**

- 6-pin
- 7-pin

**Unit / Mono Lock Cylinders**

- Falcon Standard (R Series old small plug) 6-pin
- Corbin Russwin Unit Lock (2000-052) - Master Ring not available
- Medeco Unit Lock Retrofit Cylinder (20W5005) - Corbin Russwin Unit Lock
- Medeco Unit Lock Retrofit Cylinder (20W0500) - Yale 6200 Mono Lock
- Yale Mono Lock (1801) and later models

**Competitors' Standard Cylinders**

- Assa (65611 or 65661) 6-pin
- Corbin Russwin (2000-034 / CL3400) 6-pin - Master Ring not available
- Medeco (20W200V3) 6-pin - tailpiece supplied by Medeco - Falcon / Schlage style
- Peaks (Kaba) 6-pin
- Primus (Schlage) 6-pin
- Sargent (6, 7 & 10 Line) 6-pin - Keso not available
- Yale (1801) 6-pin - Bicentric not available

**Competitors' IC**

- Arrow 6, 7-pin
- Assa (70600IC & V70600IC) 6-pin
- Best 6, 7-pin
- Corbin Russwin (8000) 6-pin
- Corbin Russwin (8000-7) 7-pin
- InstaKey
- Medeco 31 Series 6-pin
- Medeco 32 Series 6-pin
- Medeco Keymark 6, 7-pin
- Peaks (Kaba) 6, 7-pin
- Primus (Schlage) 6-pin
- Sargent (6300) 6-pin
- Schlage 6-pin
- Yale (1210) 6-pin

\*\* Proper tailpiece supplied unless otherwise noted.

LOCKS

Grade 1

Preassembled

RU Series

Prices subject to change without notice

## Compatibility with Competitors' I-Cores



Falcon's standard interchangeable core option. Specify 6 or 7-pin.  
Locksets with this option also accept Schlage SFIC, Arrow (including Flex Core), Best (including PKS & Peaks), InstaKey, Kaba Peaks, Keymark and KSP cores.

The following larger format interchangeable cores will work with the T Series locksets when lockset is so specified:



Asa  
old and new style  
Specify IC-AS



Corbin Russwin  
8000 or 8000-7  
Specify IC-CR6  
or IC-CR7



Medeco  
32 Series 6-pin  
Specify IC-ME



Medeco  
31 Series 6-pin  
Specify IC-YA6



Sargent  
6300  
Specify IC-SA



Schlage 6-pin  
including Primus  
Specify IC-SC



Yale 6-pin  
Specify IC-YA6

## Compatibility with Competitors' Standard Cylinders

The RU Series is furnished with Falcon's standard "G" keyway cylinder unless otherwise specified. The RU Series accepts the following competitors' standard 6-pin cylinders.

- Asa (65611 or 65661) 6-pin
- Corbin Russwin (2000-034 / CL3400) 6-pin - Master Ring not available
- Medeco (20W200V3) 6-pin  
- tailpiece supplied by Medeco  
- Falcon / Schlage style
- Peaks (Kaba) 6-pin
- Primus (Schlage) 6-pin
- Sargent (6, 7 & 10 Line) 6-pin - Keso not available
- Schlage 6-pin
- Yale (1801) 6-pin - Bicentric not available

Prices subject to change without notice

RU Series - Complete Cylinders		
Cylinder Mechanism	Part Number	Price Each
5 pin cylinder RU series (except 381 IS, 571)	A23151-05	\$63.00
5 pin cylinder RU series 381 IS	A23151-06	
5 pin cylinder RU series 571	A23151-07	
6 pin cylinder RU series (except 381 IS, 571)	A23161-05	
6 pin cylinder RU series 381 IS	A23161-06	
6 pin cylinder RU series 571	A23161-07	
7 pin cylinder RU series (except 381 IS, 571)	A23171-05	78.00
7 pin cylinder RU series 381 IS	A23171-06	
7 pin cylinder RU series 571	A23171-07	

Conventional Cylinder Options		
Description	Specify	Add to Lock Price (per core)
5 pinned cylinder	P Suffix Example: RU581P	STD
6 pinned cylinder	P6 Suffix Example: RU581P6	N/C
7 pinned cylinder	P7 Suffix Example: RU581P7	13.50
6 pinned Competitor keyway cylinders*	P6 Suffix Example: RU581P6 (0 Bitted, KD, KA4 only)	7.60

\* Competitor keyways are furnished 0 bitted, unless otherwise specified. Not available Master keyed.  
 KD option is not available for locks containing 2 cylinders.

- Notes: 1)** Finishes: 606 and 626 only  
**2)** Specify keyway  
**3)** Cylinders are furnished G keyway, keyed differently unless otherwise specified.  
**4)** Restricted sections add \$12.30 to list price. See page 4 for list of standard keyways.  
 All other keyways are considered restricted. Contact 877-671-7011 for availability.

Interchangeable Core and Small Format Construction Core		
Description	Specify	Add to Lock Price (per core)
Small format core (BEST Style) *	BB6/7 Suffix Example: RU581BB6	\$50.00
Small format core (Falcon Style) *	G6/7 Suffix Example: RU581G6	
Small format construction core **	H Suffix Example: RU581HD	50.00
Less Small format core	B Suffix Example: RU581BD	N/C
Less Full Size core	J Suffix Example: RU581JD SCH x DAN	
Small format disposable core	BDC Suffix Example: RU581BDC	N/C

\* Keying must be specified  
 \*\* Locks are assessed one non-refundable handling charge (50-231F) per core.

**Note: 5)** Control keys are not furnished with locks and must be ordered separately. See page 141 for details policy on use of restricted keyway cylinders. Contact 877-671-7011 for availability.

Prices subject to change without notice

# RU-Series • Less Components, Thick Door, Tactile Warning, Lead Lining

LOCKS

## Locks Less Components

Description	Specify	Deduct from Price (per core)
Less standard cylinder	L suffix Example: RU581LD DAN	\$63.00
Less latch	LLL suffix Example: RU581PD DAN 626 LLL/5164	8.40
Less strike	LLL suffix Example: RU581PD DAN 626 314691 LLL	10.40

## Tactile Warning

Description	Specify	Per Lever Lock Price
Abrasive Strip*	Preface the design code with 6 Example: 6DA for DAN	\$77.50

\* Not available in 613

## Lead Lining

Description	Specify	Add to Lock Price
Lead lining	Preface the design code with 9 Example: 9DA for DAN	\$342.00

Grade 1

Preassembled

RU Series

Prices subject to change without notice



Levers, Conventional Cylinder		
Part Number	Description	List Price
030742-000	Dane lever, closed	\$57.50
030742-001	Dane lever, open	
030744-000	Quantum lever, closed	
030744-001	Quantum lever, open	
030929-002	Lever, Dane open (Corbin Russwin, Medeco, Yale unit)	68.50
030929-003	Lever, Quantum open (Corbin Russwin, Medeco, Yale unit)	
030996-002	Lever, Dane open (Sargent 6, 7 & 10 line, Yale)	76.90
030996-003	Lever, Quantum open (Sargent 6, 7 & 10 line, Yale)	
A30753-00*	Inside lever w/set screw, closed	47.00
A30753-01*	Inside lever w/set screw, open	
A31544-00*	Inside lever w/set screw, closed 851/881	118.00

\* Specify design prefix D (Dane), Q (Quantum)

Levers and related parts, Small Format and Large Format Interchangeable Core		
Part Number	Description	List Price
030742-002	Lever, Dane SFIC	\$57.50
030744-002	Lever, Quantum SFIC	
030926-002	Lever, Dane IC, ASSA, Medeco, Yale	122.00
030926-003	Lever, Quantum IC, ASSA, Medeco, Yale	
030927-002	Lever, Dane IC, Schlage	122.00
030927-003	Lever, Quantum IC, Schlage	
030928-002	Lever, Dane IC, Corbin Russwin	119.00
030928-003	Lever, Quantum IC, Corbin Russwin	
030930-002	Lever, Dane IC, Sargent	126.00
030930-003	Lever, Quantum IC, Sargent	

Roses		
Part Number	Description	List Price
031452-000	Rose, square	\$39.30

**Note:** 1) Dane available in 626 and 613 Quantum available in 626.

Prices subject to change without notice

# RU-Series - Miscellaneous Parts

LOCKS

Grade 1

Preassembled

RU Series

Miscellaneous Parts		
Part Number	Description	List Price
022104-000-30	Short Slide Catch	1.10
022105-000-30	Slide Catch	3.00
022106-002-55	Retractor	3.60
022108-000-60	Retractor Spring	2.30
022112-000-30	Retainer, Retractor Spring	2.30
022986-001-50	Retractor Insert	0.74
030703-000-30	Inner Spindle, Passage and Button Functions	30.40
030704-002-30	Lever Stop Plate	4.30
030709-000-60	Clutch Spring	0.52
030712-000-30	Mounting Plate, Inner	4.10
030712-001-30	Mounting Plate, Outer	3.70
030718-000-30	Key Spindle, std	5.50
030718-001-30	Key Spindle, IC	
030722-000-30	Dogging Bar	3.60
030724-000-30	Lever Retaining Ring	0.74
030726-000-30	Flanged Nut	8.50
030726-007-30	Flanged Nut, Inner Electrified	11.90
030728-000	Push Button Cap	11.20
030733-000-55	Spindle Inner	3.80
031511-000-30	Hex Nut, 1/-28 Special	9.40
031514-000-30	Solenoid Mount	12.10
031519-000-30	Inner Spindle, RU851/881	47.90
1387	Hex Key – 1/8" with Looped Handle	17.90
A30746-000-00	Hub & Housing Assembly	17.80
A30747-000-00	Hub & Plate Assembly	16.40
A30749-060-00	Insert & Spindle Assembly, Outer, 6 Pin	116.00
A30749-070-00	Insert & Spindle Assembly, Outer, 7 Pin	69.40
A30905-001-00	Spindle & Driver Assembly, IC	65.30
A30905-060-00	Spindle & Driver Assembly, 6 Pin	
A30906-070-00	Spindle & Driver Assembly, 7 Pin	
A30913-000-00	Key Spindle Assembly, Inner Std.	196.00
A30913-001-00	Key Spindle Assembly, Inner IC	
Q330-272	RU Lock Spring Cage Kit (for all functions except RU101 and RU301)	45.60
Q330-273	RU Lock Spring Cage Kit (RU101 and RU301)	

Screws				
Part Number	Description	Finishes	Size	List Price
002762-000	RU latch screw	606, 613, 626	8-32 x3/8	\$0.42
002770-016-30	Insert screws	-	10-32 x 1	0.58
021164-016	ANSI strike screws	606, 613, 626, 630	12-24 x 1" combo	0.66
024416-012	Latch and strike screws	606, 613, 626, 630	8-32 x 3/4" combo	0.40
030755-005-30	Type D screw	-	8-32 x 5/16"	0.52
030831-004-30	Set screw	-	1/4-20 x 1/4"	0.68
031533-006-30	Self tap screw	-	8-32 x 3/8"	0.54
031541-006-30	Mounting plate screws	-	8-32 x 1/2"	0.56

Prices subject to change without notice

Tailpieces for Conventional Cylinders				
Cylinder	Std. Functions	RU381 Inside	RU571	Price
Falcon 6-pin* (10/pack)	A30730-001-00	A30730-003-00	A30730-002-00	\$27.00 pkg. of 10
Falcon 7-pin (10/pack)	A30730-002-00	A30730-004-00	A30730-006-00	\$27.00 pkg. of 10
Sargent 6 & 10 Line	030997-001-30	030997-003-30	030997-005-30	14.30 each
Yale1801, 5801	030917-001-30	030917-003-30	030917-005-30	40.80 each
Corbin Russwin	030994-001-30	030994-003-30	030994-005-30	77.00 each

IC Throw Members (Tailpieces)				
Core Type	Std. Functions	RU381 Inside	RU571	Price
Falcon 6-pin*	030739-000-30		030739-000-30	\$3.40
Falcon 6-pin*	030739-002-30			11.60
Falcon 7-pin*	030739-001-30		030739-001-30	3.40
Falcon 7-pin *		030739-003-30		3.40
Corbin Russwin 8000 and Sargent 6300	031468-000-30	031468-002-30	031468-004-30	8.70
Corbin Russwin 8000-7 (7-pin)	031468-001-30	031468-003-30	031468-005-30	8.70
Medeco 32 Series & ASSA	A30988-000-00	A30988-002-00	A30988-000-00	7.50
Schlage full size, including Primus	031467-000-30	031467-002-30	031467-004-30	17.90
Yale and Medeco 31 Series 6-pin	030917-001-30	030917-003-30	030917-005-30	40.80

\* Arrow, Best, InstaKey, Kaba Peaks, Keymark, KSP and Schlage small format cores all use the Falcon configuration.

LOCKS

Grade 1

Preassembled

RU Series

Prices subject to change without notice

LOCKS

Grade 1

Preassembled

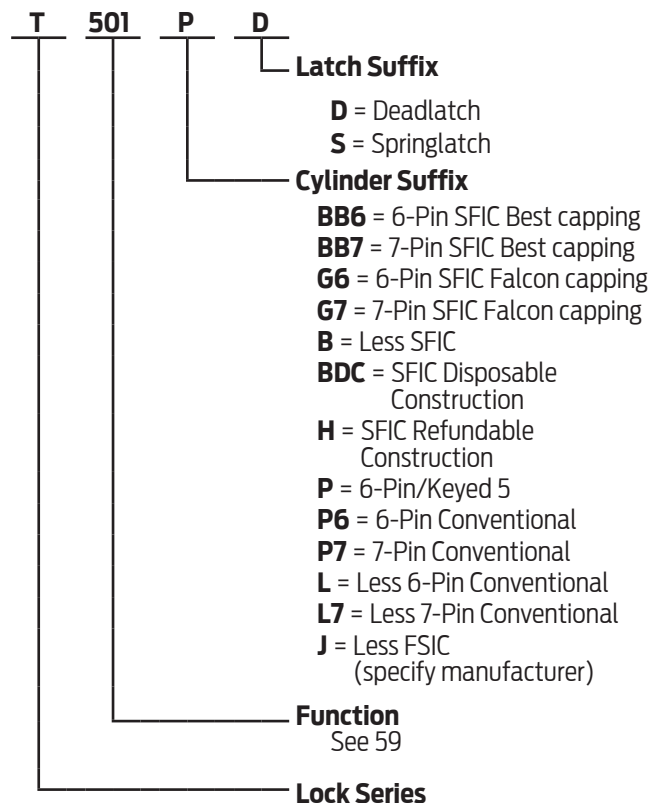
RU Series

Prices subject to change without notice

**Table of Contents**

**Function Chart** **55**  
**Complete Lock Pricing** **56**  
**Options & Parts**  
 Cylinders .....57  
 Tailpieces .....58  
 Order Detail .....59  
 Competitor Cylinders .....60  
 Lock Less Components .....61  
 Non-Standard Door Thickness .....61  
 Tactile Warning .....61  
 Lead Lining .....61  
 Allegion Connect.....61  
 Latches with Locks.....61  
 Strikes .....62  
 Levers .....63  
 Roses .....63  
 Misc. Parts.....64  
 Chassis Assemblies .....64  
 Screws.....65

**Product Identification**



SFIC = Small Format (Best® Style) Interchangeable Core

**Finish Codes and Descriptions**

Code		Description
605	(US3)	Bright Brass
606	(US4)	Satin Brass
613	(US10B)	Oil Rubbed Bronze
619	(US15)	Satin Nickel
622		Matte Black
625	(US26)	Bright Chrome
626	(US26D)	Satin Chrome
643E	(US11)	Aged Bronze

**Standard Features** - Furnished unless otherwise specified

Certification	ANSI A156.2, Series 4000, Grade 1, UL Listed for 3-Hour fire door
Latch	1-1/8" x 2-1/4", Square corner faceplate, 1" housing diameter, 1/2" throw, 2-3/4" backset
Strike	1-1/4" x 4-7/8", ANSI, Square corner, no box
Cylinder	6-Pin, Solid brass, Keyed 5-Pin, Falcon G keyway, Keyed different (KD)
Door Range	1-3/4" - 2-1/8" standard
Keys	Two, Nickel silver cut keys per lock, Falcon G keyway



Prices subject to change without notice

# T Series

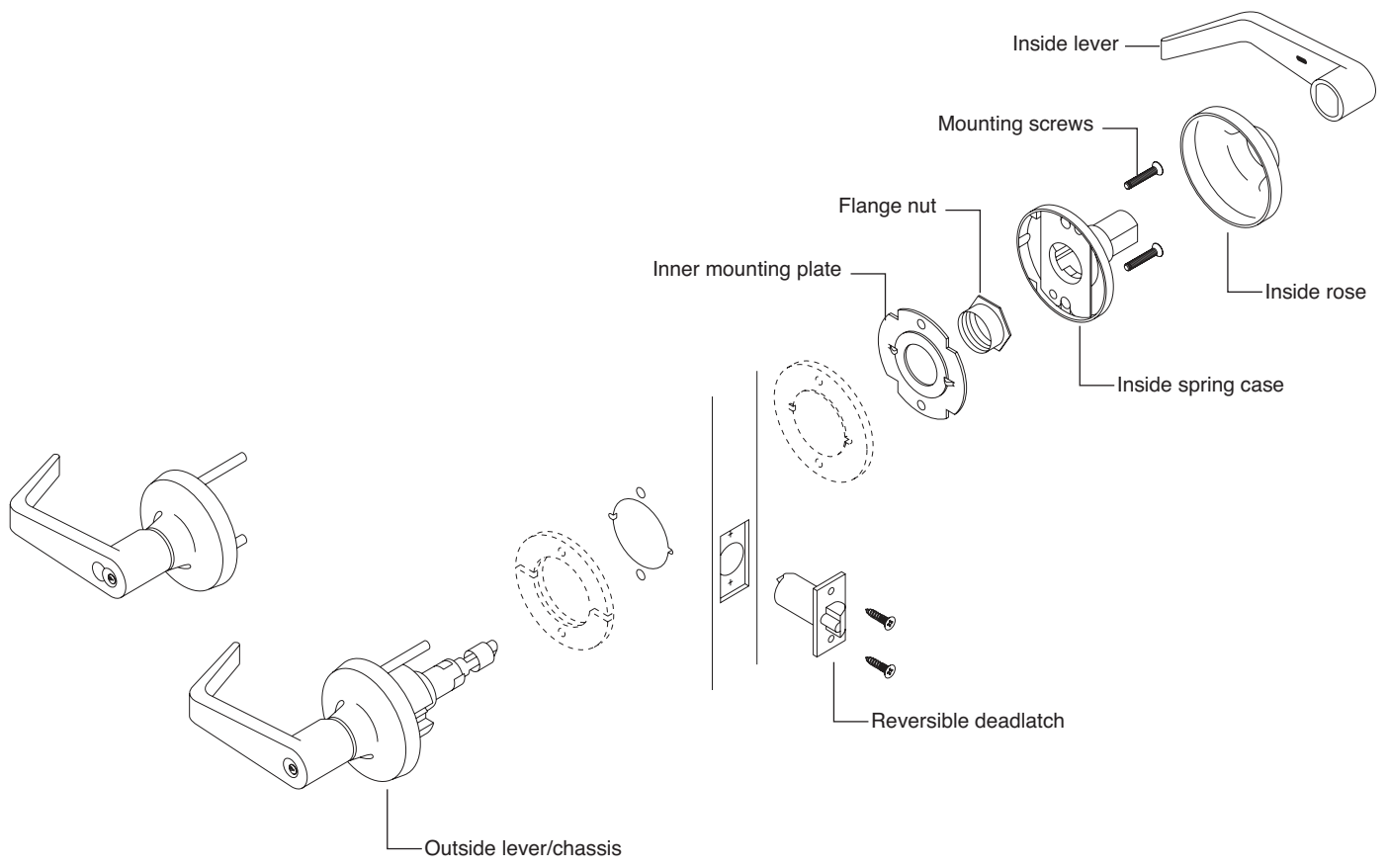
## GRADE 1 CYLINDRICAL LOCK

LOCKS

Grade 1

Cylindrical

T Series



Prices subject to change without notice

## ANSI A156.2 Series 4000 Grade 1

### Key-In-Lever Locks

FALCON ANSI

**T101 F75**

#### Passage/Closet Latchset

Latch bolt by levers at all times.



**T291**

#### Privacy Hospital Lock

Latch bolt by levers. Outside lever locked by push button in inside lever. Rotating inside lever, closing door, or turning emergency release turn button on outside, release push button. Inside is always free for egress.



**T301 F76**

#### Privacy Lock

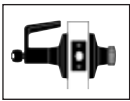
Latch bolt by levers. Outside lever locked by push button in inside lever. Rotating inside lever or closing door releases push button. Emergency release in outside lever unlocks door.



**T351**

#### Closet Lock

Deadlocking latch bolt by turn knob inside or lever outside except when outside lever is locked by key.



**T381 F88**

#### Classroom Security Lock

Latchbolt operated by lever from either side except when key from inside lever locks outside lever. When outside lever is locked, latchbolt retracted by key in outside lever or by turning inside lever.



**T411 F87**

#### Asylum Lock\*

Deadlocking latch bolt operated by key in lever from either side. Both levers always inoperable.



**T501 F82**

#### Entry Lock

Push button locking. Button on inside locks outside lever until unlocked by key or by rotating inside lever. Inside lever always free. Deadlocking latch bolt.



**T511 F109**

#### Entry/Office Lock

Turn/push button locking. Pushing and turning button locks outside lever requiring use of key until button is manually unlocked. Push button locking. Pushing button locks outside lever until unlocked by key or by rotating inside lever. Inside lever always free. Deadlocking latch bolt.



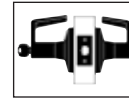
### Key-In-Lever Locks

FALCON ANSI

**T521 F81**

#### Office Lock

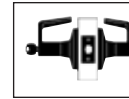
Turn button locking. Turning button locks outside lever requiring use of key until button is manually unlocked. Inside lever always free. Deadlocking latch bolt.



**T561 F84**

#### Classroom Lock

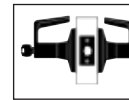
Deadlocking latch bolt by levers. Outside lever is locked by key in outside lever. Inside lever is always free.



**T571 F90**

#### Dormitory/Corridor Lock

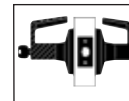
Deadlocking latch bolt by levers except when locked by push button in inside lever. Key in outside lever locks or unlocks outside lever and releases button. Closing door releases push button. Inside lever always free.



**T581 F86**

#### Storeroom Lock

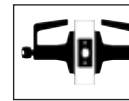
Deadlocking latch bolt by lever inside or key outside. Outside lever is inoperable. Inside lever always free.



**T851**

#### Storeroom (Electrified – Fail Safe)

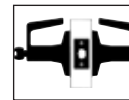
Latch bolt operated by lever from either side except when outer lever is electrically locked. When outer lever is locked (inoperable), latch bolt retracted by key in cylinder outside. Available in both 12 (.65 Amps) or 24 (.32 Amps) volt DC, continuous duty.



**T881**

#### Storeroom (Electrified – Fail Secure)

Deadlocking latch bolt operated by lever inside at all times. Outside lever inoperable until electrically unlocked, then latch bolt from either side. When outside lever is inoperable latch bolt retracted by key in cylinder outside. Available in both 12 (.65 Amps) or 24 (.32 Amps) volt DC, continuous duty.



**T12**

#### Dummy Trim

Single Trim-surface mounted rigid lever.



\* **Caution:** Double cylinder locks on residences and any door, in any structure, which is used for egress are a life safety hazard in times of emergency and their use is not recommended. Installation should be in accordance with existing codes only.

Prices subject to change without notice

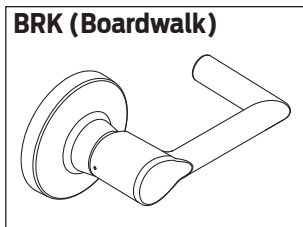
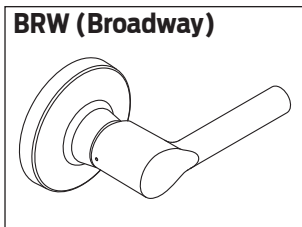
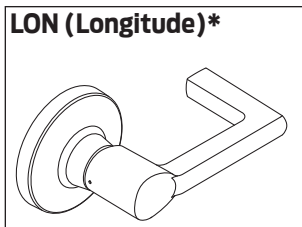
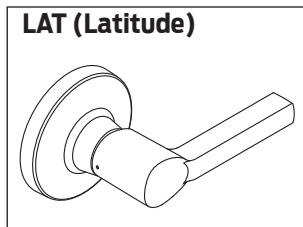
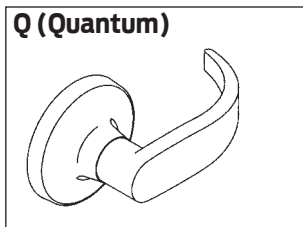
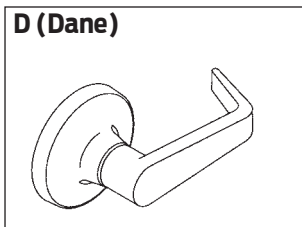
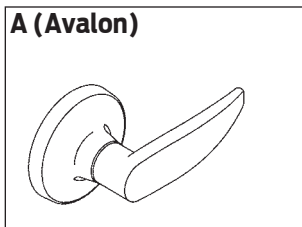
# T-Series - Complete Locks

LOCKS

Grade 1

Cylindrical

T Series



## Key-In-Lever

Function	Description	Designs and Finishes							
		A D Q LAT LON BRW BRK							
		626	643E	605	606	613	619	622	625
<b>Single Cylinder Functions - Clutched Locked Levers</b>									
T351PD	Closet	\$504.00		\$516.00					
T501PD	Entry								
T511PD	Entry/Office								
T521PD	Office								
T561PD	Classroom								
T571PD	Dormitory/Corridor	917.00		929.00					
T581PD	Storeroom								
T851PD <sup>1</sup>	Elec. Storeroom – Fail Safe								
T881PD <sup>1</sup>	Elec. Storeroom – Fail Secure								
<b>Double Cylinder Functions - Clutched Locked Levers</b>									
T381PD	Exit Security	\$589.00		\$601.00					
T411PD	Asylum								
<b>CAUTION:</b> Double cylinder locks on residences and any door in any structure which is used for egress are a life safety hazard in times of emergency and their use is not recommended. Installation should be in accordance with existing codes only.									
<b>Non-Keyed Functions</b>									
T101S	Passage	\$360.00		\$372.00					
T291S	Hospital/Grade School Privacy	452.00		464.00					
T301S	Privacy								
<b>Dummy Trim</b>									
T12	Half Dummy	160.00		166.00					

**Notes: 1)** 24V is standard. Power supply PS902 will be sufficient to operate an individual lock for multiple lock installation - see Power Supply section.

Prices subject to change without notice



T Series - Complete Cylinders		
Cylinder Mechanism	Part Number	Price Each
5 pin cylinder T series (except 381 IS, 571)	A23151-05	\$63.00
5 pin cylinder T series 381 IS	A23151-06	
5 pin cylinder T series 571	A23151-07	
6 pin cylinder T series (except 381 IS, 571)	A23161-05	
6 pin cylinder T series 381 IS	A23161-06	
6 pin cylinder T series 571	A23161-07	
7 pin cylinder T series (except 381 IS, 571)	A23171-05	78.00
7 pin cylinder T series 381 IS	A23171-06	
7 pin cylinder T series 571	A23171-07	

Conventional Cylinder Options		
Description	Specify	Add to Lock Price (per core)
5 pinned cylinder	P Suffix Example: T581P	STD
6 pinned cylinder	P6 Suffix Example: T581P6	N/C
7 pinned cylinder	P7 Suffix Example: T581P7	\$13.50
6 pinned Competitor keyway cylinders*	P6 Suffix Example: T581P6 (0 Bitted, KD, KA4 only)	7.60

\* Competitor keyways are furnished 0 bitted, unless otherwise specified. Not available Master keyed.  
 KD option is not available for locks containing 2 cylinders.

- Notes:**
- 1) Finishes: 606, 622\*, & 626 only
  - 2) Specify keyway
  - 3) Cylinders are furnished G keyway, keyed differently unless otherwise specified.
  - 4) Restricted sections add \$12.30 to list price. See page 4 for list of standard keyways. All other keyways are considered restricted. Contact 877-671-7011 for availability.
  - 5) 622 Finish is available only on Allegion cylinders (P, P6, & P7) in C & G Keyways.

Interchangable Core Options		
Description	Specify	Add to Lock Price (per core)
Small format core (BEST Style) *	BB6/7 Suffix Example: T581BB6	\$50.00
Small format core (Falcon Style) *	G6/7 Suffix Example: T581G6	
Small format construction core **	H Suffix Example: T581HD	50.00
Less Small format core	B Suffix Example: T581BD	N/C
Less Full Size core DAN, AVA, QUA - all FSIC options LAT, LON, BRW, BRK - Schlage FSIC only	J Suffix Example: T581JD SCH x DAN	
Small format disposable core	BDC Suffix Example: T581BDC	N/C

\* Keying must be specified  
 \*\* Locks are assessed one non-refundable handling charge (50-231F) per core.

- Note:**
- 6) Control keys are not furnished with locks and must be ordered separately. See page 141 for details.
  - 7) Competitor prepped levers are not available in 622, 619, & 643e finishes except for Schlage options..

Prices subject to change without notice

# T-Series - Cylinder Parts

LOCKS

## Tailpieces for Conventional Cylinders

Cylinder	Std. Functions	T381 Inside	T571	Price
Falcon 6-pin* (10/pack)	A30730-001-00	A30730-003-00	A30730-002-00	\$27.00 pkg. of 10
Falcon 7-pin (10/pack)	A30730-002-00	A30730-004-00	A30730-006-00	\$27.00 pkg. of 10
Sargent 6 & 10 Line	030997-001-30	030997-003-30	030997-005-30	14.30 each
Yale 1801, 5801	030917-001-30	030917-003-30	030917-005-30	40.80 each
Corbin Russwin	030994-001-30	030994-003-30	030994-005-30	77.00 each

\* Assa 65611 and 65661, Corbin Russwin 2000-034 and Schlage, including Primus, all use the Falcon 6-pin tailpiece.

Grade 1

## IC Throw Members (Tailpieces)

Cylinder	Std. Functions	T381 Inside	T571	Price
Falcon 6-pin*	030739-000-30		030739-000-30	\$3.40
Falcon 6-pin*		030739-002-30		11.60
Falcon 7-pin*	030739-001-30		030739-001-30	3.40
Falcon 7-pin*		030739-003-30		3.40
Corbin Russwin 8000 and Sargent 6300	031468-000-30	031468-002-30	031468-004-30	8.70
Corbin Russwin 8000-7 (7-pin)	031468-001-00	031468-003-30	031468-005-30	8.70
Medeco 32 Series & ASSA	A30988-000-00	A30988-002-00	A30988-000-00	7.50
Schlage Full Size, Including Primus	031467-000-30	031467-002-30	031467-004-30	17.90
Yale and Medeco 31 Series, 6-pin	030917-001-30	030917-003-30	030917-005-30	40.80

\* Arrow, Best, InstaKey, Kaba Peaks, Keymark, KSP and Schlage small format cores all use the Falcon configuration.

Cylindrical

T Series

Prices subject to change without notice

Specify cylinder requirements.

**Note:** Locks furnished with Falcon's standard "G" keyway cylinder or prepared for Falcon interchangeable core unless otherwise specified.

## With Cylinder

### Falcon IC

- 6-pin
- 7-pin

### Falcon Conventional

- Schlage - C, 0 Bitted, KD, KA4
- Schlage - E, 0 Bitted
- 6-pin

*specify keyway*

- 7-pin

*specify keyway*

### Competitors' Keyways - 6-pin Conventional Cylinder\*

- Corbin - 60, 0 Bitted, KD
- Russwin - D1, 0 Bitted, KD
- Sargent - LA, 0 Bitted, KD (Also accepts LB, LC keys)
- Yale - 8 (Para), 0 Bitted, KD

\* Generic replacement cylinders with competitors' keyways.

## Less Cylinder - Prepared to Accept\*\*

- Falcon IC

### Falcon Conventional

- 6-pin
- 7-pin

### Unit / Mono Lock Cylinders

- Falcon Standard (R Series old small plug) 6-pin
- Corbin Russwin Unit Lock (2000-052) - Master Ring not available
- Medeco Unit Lock Retrofit Cylinder (20W5005) - Corbin Russwin Unit Lock
- Medeco Unit Lock Retrofit Cylinder (20W0500) - Yale 6200 Mono Lock
- Yale Mono Lock (1801) and later models

### Competitors' Conventional Cylinders

- Assa (65611 or 65661) 6-pin
- Corbin Russwin (2000-034 / CL3400) 6-pin - Master Ring not available
- Medeco (20W200V3) 6-pin - tailpiece supplied by Medeco - Falcon / Schlage style
- Peaks (Kaba) 6-pin
- Primus (Schlage) 6-pin
- Sargent (6, 7 & 10 Line) 6-pin - Keso not available
- Yale (1801) 6-pin - Bicentric not available

### Competitors' IC

- Arrow 6, 7-pin
- Assa (70600IC & V70600IC) 6-pin
- Best 6, 7-pin
- Corbin Russwin (8000) 6-pin
- Corbin Russwin (8000-7) 7-pin
- InstaKey
- Medeco 31 Series 6-pin
- Medeco 32 Series 6-pin
- Medeco Keymark 6, 7-pin
- Peaks (Kaba) 6, 7-pin
- Primus (Schlage) 6-pin
- Sargent (6300) 6-pin
- Schlage 6-pin
- Yale (1210) 6-pin

\*\* Proper tailpiece supplied unless otherwise noted.

Prices subject to change without notice

## Compatibility with Competitors' Standard Cylinders

The T Series is furnished with Falcon's standard "G" keyway cylinder unless otherwise specified, and accepts the following competitors' standard 6-pin cylinders.

- Assa (65611 or 65661) 6-pin
- Corbin Russwin (2000-034 / CL3400) 6-pin - Master Ring not available
- Medeco (20W200V3) 6-pin - tailpiece supplied by Medeco - Falcon / Schlage style
- Peaks (Kaba) 6-pin
- Primus (Schlage) 6-pin
- Sargent (6, 7 & 10 Line) 6-pin - Keso not available
- Yale (1801) 6-pin - Bicentric not available

## Compatibility with Competitors' I-Cores



Falcon's standard interchangeable core option. Specify 6 or 7-pin. Locksets with this option also accept Schlage SFIC, Arrow (including Flex Core), Best (including PKS & Peaks), InstaKey, Kaba Peaks, Keymark and KSP cores.

The following larger format interchangeable cores will work with the T Series locksets when lockset is so specified:



Assa old and new style  
Specify IC-AS



Corbin Russwin 8000 or 8000-7  
Specify IC-CR6 or IC-CR7



Medeco 32 Series 6-pin  
Specify IC-ME



Medeco 31 Series 6-pin  
Specify IC-YA6



Sargent 6300  
Specify IC-SA



Schlage 6-pin including Primus  
Specify IC-SC



Yale 6-pin Medeco 31 Series  
Specify IC-YA6

Prices subject to change without notice

Locks Less Components		
Description	Specify	Deduct from Lock Price
Less each lever	LLL Example: T581PD LLL/DAN	\$28.00
Less standard cylinder	L suffix Example: T581LD DAN	63.00
Less latch	LLL Example: T581PD DAN 626 LLL/5164	43.60
Less strike	LLL Example: T581PD DAN 626 98535 LLL	10.50

Non-Standard Door Thickness		
Description	Specify	Add to Lock Price
Door thickness 1-3/8" to 1-3/4"	A30775-000-00 for thin door shims	\$14.50

**Note: 1)** T Series lockset will accommodate up to a 2-1/8" thick door prep standard.

Tactile Warning		
Description	Specify	Per Lever Lock Price
Abrasive Strip*	Preface the design code with 6 Example: 6DA for DAN	\$68.40

\* Not available in 613 or on Latitude, Longitude, Broadway and Boardwalk.

Lead Lining		
Description	Specify	Add to Lock Price
Lead lining	Preface the design code with 9 Example: 9DA for DAN	\$314.00

**Note: 3)** Lead Lining is not available on Latitude, Longitude, Broadway, & Boardwalk levers.

Allegion Connect		
Suffix		List Add
CON	Cross-category solution using common interconnect components for electrified options. Available on the T851 and T881 functions. <i>For wire harness options refer to Electronic Power Supplies Section.</i>	N/C

Latches with Locks					
Backset	Description	HSG Dia	Specify		Add to Lock Price
			Springlatch	Deadlatch	
2-3/8"	Square corner, 1" x 2-1/4"	1"	23981111	23981160	N/C
2-3/4"	Square corner, 1-1/8" x 2-1/4", std.		23981137	23981145	
2-3/4"	Anti-friction fire door latch Square corner, 1-1/8" x 2-1/4", 3/4" throw		-	23981152	\$212.00
3-3/4"	Square corner, 1-1/8" x 2-1/4"		24074387	23981129	N/C
5"	Backset extension Link			43-005	38.80

Part Number	Description	Price
24483760	latch spacer for hollow door applications	\$6.00

Prices subject to change without notice

# T-Series - Latches and Strikes

LOCKS

Strikes with Locks			
Description	Lip Length	Specify	Add to Lock Price
ANSI, 1-1/4" x 4-7/8" standard	1-3/16"	5164	N/C
Square corner, full lip 1-5/8" x 2-1/4"	1"	01-049	N/C
1/4" Radius round corner, full lip 1-5/8" x 2-1/4"	1"	01-048	N/C
Square Corner, T-Strike, 1-1/8" x 2-3/4"	1-5/16"	5185	N/C
ANSI dust box 1" deep, steel	-	005099-000-30	N/C
ANSI 1-1/4" x 4-7/8"	7/8"	5161	N/C
Radius T Strike, 1-1/8" x 2-3/4"	9/16"	5185-4	N/C

## Latches sold separate

Finishes: 606, 613, 630

Grade 1

Specify		Backset	Description	HSG Dia	List Price
Springlatch	Deadlatch				
23981111	23981160	2-3/8"	Square corner, 1" x 2-1/4"	1"	\$108.00
23981137	23981145	2-3/4"	Square corner, 1-1/8" x 2-1/4", std.		83.70
-	23981152	2-3/4"	Anti-friction fire door latch Square corner, 1-1/8" x 2-1/4", 3/4" throw		320.00
24074387	23981129	3-3/4"	Square corner, 1-1/8" x 2-1/4"		100.00
	43-005	5"	Backset extension Link		38.80

Cylindrical

## Strikes sold separate

T Series

Description	Lip Length	Specify	List Price
ANSI, 1-1/4" x 4-7/8" standard	1-3/16"	005164-000	\$16.10
Square Corner, T-Strike, 1-1/8" x 2-3/4"	1-1/8"	A05185-000	5.00
1/4" Radius round corner, full lip 1-5/8" x 2-1/4"	1"	Q001-048	5.00
Square corner, full lip 1-5/8" x 2-1/4"		Q001-049	
ANSI dust box 1" deep, steel	-	005099-000-30	11.80
ANSI 1-1/4" x 4-7/8"	7/8"	005161-000	27.10
Radius T Strike, 1-1/8" x 2-3/4"	9/16"	A05185-004	33.90

Shaded items are standard components and are furnished with locks unless otherwise specified.

Prices subject to change without notice

LOCKS  
Grade 1  
Cylindrical  
T Series

Levers, Conventional Cylinder			
Part Number	Description	List Price	
030740-000	Avalon lever, closed	\$57.50	
030740-001	Avalon lever, open		
Q330-430 BRK	Boardwalk lever, closed		
Q330-431 BRK	Boardwalk lever, open		
Q330-430 BRW	Broadway lever, closed		
Q330-431 BRW	Broadway lever, open		
030742-000	Dane lever, closed		
030742-001	Dane lever, open		
Q330-430 LAT	Latitude lever, closed		
Q330-431 LAT	Latitude lever, open		
Q330-430 LON	Longitude lever, closed		
Q330-431 LON	Longitude lever, open		
030744-000	Quantum lever, closed		
030744-001	Quantum lever, open		
030929-001	Lever, Avalon open (Corbin Russwin, Medeco, Yale unit)		68.50
030929-002	Lever, Dane open (Corbin Russwin, Medeco, Yale unit)		
030929-003	Lever, Quantum open (Corbin Russwin, Medeco, Yale unit)		
030996-001	Lever, Avalon open (Sargent 6, 7 & 10 line, Yale)	76.90	
030996-002	Lever, Dane open (Sargent 6, 7 & 10 line, Yale)		
030996-003	Lever, Quantum open (Sargent 6, 7 & 10 line, Yale)		
A30753-00*	Inside lever w/set screw, closed	47.00	
A30753-01*	Inside lever w/set screw, open		
A31544-00*	Inside lever w/set screw, closed 851/881	118.00	

Notes: 1) When ordering levers or roses, specify finish.  
 2) Competitor prepped levers are not available in 622, 619, & 643e Finish except Schlage options.

Levers, Small and Large Format Interchangeable Core		
Part Number	Description	List Price
030740-002	Lever, Avalon SFIC	\$57.50
Q330-432 BRK	Lever, Boardwalk SFIC	
Q330-432 BRW	Lever, Broadway SFIC	
030742-002	Lever, Dane SFIC	
Q330-432 LAT	Lever, Latitude SFIC	
Q330-432 LON	Lever, Longitude SFIC	
030744-002	Lever, Quantum SFIC	122.00
030926-001	Lever, Avalon IC, ASSA, Medeco, Yale	
030926-002	Lever, Dane IC, ASSA, Medeco, Yale	
030926-003	Lever, Quantum IC, ASSA, Medeco, Yale	122.00
030927-001	Lever, Avalon IC, Schlage	
Q330-433 BRK	Lever, Boardwalk FSIC	
Q330-433 BRW	Lever, Broadway FSIC	
030927-002	Lever, Dane IC, Schlage	
Q330-433 LAT	Lever, Latitude FSIC	
Q330-433 LON	Lever, Longitude FSIC	119.00
030927-003	Lever, Quantum IC, Schlage	
030928-001	Lever, Avalon IC, Corbin Russwin	
030928-002	Lever, Dane IC, Corbin Russwin	126.00
030928-003	Lever, Quantum IC, Corbin Russwin	
030930-001	Lever, Avalon IC, Sargent	
030930-002	Lever, Dane IC, Sargent	
030930-003	Lever, Quantum IC, Sargent	

Roses			
Part Number	Description	List Price	
		626 643E	605 606 613 619 622
030706-002	Rose cover	\$27.80	\$30.80

Prices subject to change without notice

# T-Series - Levers and Parts

LOCKS

Grade 1

Cylindrical

T Series

Miscellaneous Parts		
Part Number	Description	List Price
022104-000-30	Short Slide Catch	\$1.10
022105-000-30	Slide Catch	3.00
022106-002-55	Retractor	3.60
022108-000-60	Retractor Spring	2.30
022112-000-30	Retainer, Retractor Spring	2.30
022986-001-50	Retractor Insert	0.74
030654-000-625	Emergency Release Cap	2.80
030654-000-626	Emergency Release Cap	3.30
030703-000-30	Inner Spindle, Passage and Button Functions	30.40
030704-002-30	Lever Stop Plate	4.30
030709-000-60	Clutch Spring	0.52
030712-000-30	Mounting Plate, Inner	4.10
030712-001-30	Mounting Plate, Outer	3.70
030722-000-30	Dogging Bar	3.60
030724-000-30	Lever Retaining Ring	0.74
030726-000-30	Flanged Nut	8.50
030726-007-30	Flanged Nut, Inner Electrified	11.90
030728-000	Push Button Cap	11.20
030729-000-70	Outer Button Mount	1.50
030733-000-55	Spindle Inner	3.80
030787-000-70	Button Spacer	2.90
M204-198	Drill guide for locating 5/16" thru-bolt holes	18.00
031516-000-70	Solenoid, Fail secure T881	441.00
031511-000-30	Hex Nut, 1/-28 Special	9.40
031514-000-30	Solenoid Mount	12.10
030733-002	Inner Spindle, T851/881	47.90
1387	Hex Key - 1/8" with Looped Handle	17.90
1388	Hex Wrench	41.60
A30746-000-00	Hub & Housing Assembly	17.80
A30747-000-00	Hub & Plate Assembly	16.40
A30749-060-00	Insert & Spindle Assembly, Outer, 6 Pin	116.00
A30749-070-00	Insert & Spindle Assembly, Outer, 7 Pin	69.40
A30906-001-00	Spindle & Driver Assembly, IC	65.30
A30775-000-00	Door thickness 1-3/8" to 1-3/4" Door Shims	14.50
A30906-060-00	Spindle & Driver Assembly, 6 Pin	65.30
A30906-070-00	Spindle & Driver Assembly, 7 Pin	
Q330-270	T Lock Spring Cage Kit (Inside for T411 and outside for all functions except T101, T291, T301)	47.00
Q330-271	T Lock Spring Cage Kit (Inside- all functions except T411 and inside & outside for T101, T291, T301)	
030718-000-30	Key Spindle Assembly T501, T511 T521, T851, T881 STD and T381 Outside STD	5.50
030718-001-30	Key Spindle Assembly T501, T511 T521, T851, T881 IC and T381 Outside IC	5.50
A30913-000-00	Key Spindle Assembly T381 Inside STD	196.00
A30913-001-00	Key Spindle Assembly T381 Inside IC	
A30780-000-00	Key Spindle Assembly T351, T561 STD	196.00
A30780-001-00	Key Spindle Assembly T351, T561 IC	196.00
A30915-000-00	Key Spindle Assembly T571 STD	94.80
A30915-001-00	Key Spindle Assembly T571 IC	93.10
030732-000-30	Key Spindle Assembly T581 STD	5.80
030732-001-30	Key Spindle Assembly T581 IC	5.80

Prices subject to change without notice



Chassis Assemblies			
Part Number			
Conventional Cylinder	IC Core	Description	List Price
A30761-000-00		T101 Chassis	\$98.80
A30765-000-00		T301 Chassis, T291 Chassis	171.00
A30758-000-00	A30758-001-00	T351/561 Chassis	
A30769-000-00	A30769-001-00	T411 Chassis	
A30773-000-00	A30773-001-00	T501 Chassis	
A30756-000-00	A30756-001-00	T511 Chassis	
A30748-000-00	A30748-001-00	T521 Chassis	
A30760-000-00	A30760-001-00	T581 Chassis	
A30767-000-00	A30767-001-00	T381 Chassis	322.00
A30759-000-00	A30759-001-00	T571 Chassis	920.00
A31517-000-00	A31517-001-00	T851 Chassis	
A31518-000-00	A31518-001-00	T881 Chassis	

Screws				
Part Number	Description	Finishes	Size	List Price
021164-016	ANSI strike screws	606, 613, 622, 626, 630	12-24 x 1" combo	\$0.66
024416-012	Latch and strike screws	606, 613, 622, 626, 630	8-32 x 3/4" combo	0.40
030755-005-30	Type D screw	-	8-32 x 5/16"	0.52
030831-004-30	Set screw for standard lever	-	1/4 x 20 x 1/4"	0.68
031515-004-30	Fillister Head Screw	-	4-40 x 1/4"	2.70
031531-006-30	Set Screw for electrified screw	-	1/4-20 x 3/8"	0.60
031533-006-30	Self Tap Screw	-	8-32 x 3/8"	0.54
002770-016-30	Mounting Screws	-	10-32 x 1"	0.58

Prices subject to change without notice

LOCKS

Grade 1

Cylindrical

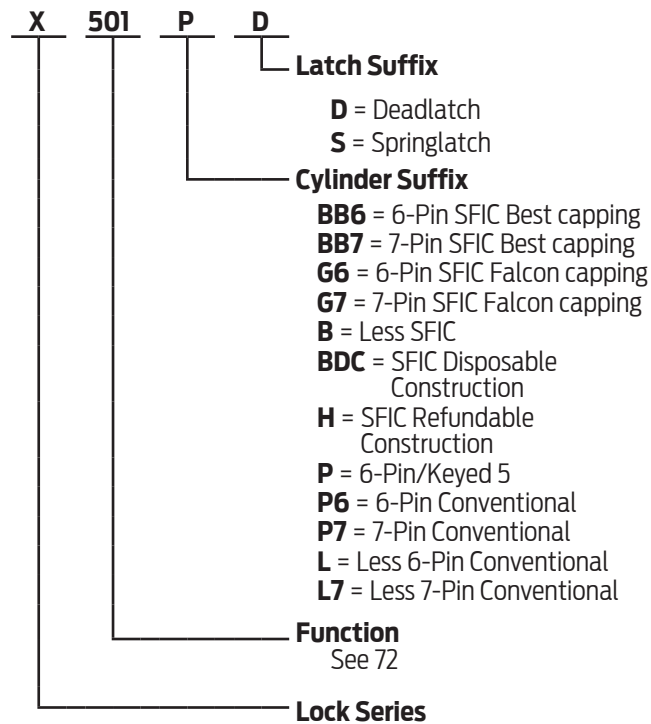
T Series

Prices subject to change without notice

**Table of Contents**

**Function Chart** **68**  
**Complete Lock Pricing** **69**  
**Options & Parts**  
 Latches .....70-71  
 Strikes .....70-71  
 Cylinders .....72  
 Knobs .....73  
 Roses .....73  
 Misc. Parts.....73  
 Screws.....73  
 Screw Packs .....73  
 Lock Less Components ..... 74  
 Tactile Warning ..... 74  
 Stainless Steel/Corros. Resist. Chassis..... 74  
 Non-Standard Door Thickness ..... 74

**Product Identification**



SFIC = Small Format (Best® Style) Interchangeable Core

**Finish Codes and Descriptions**

Code		Description
605	(US3)	Bright Brass
606	(US4)	Satin Brass
613	(US10B)	Oil Rubbed Bronze
625	(US26)	Bright Chrome
626	(US26D)	Satin Chrome
630	(US32D)	Satin Stainless

**Standard Features** - Furnished unless otherwise specified



Certification	ANSI A156.2, Series 4000, Grade 1, UL Listed for 3-Hour fire door
Latch	1-1/8" x 2-1/4", Square corner faceplate, 1" housing diameter, 1/2" throw, 2-3/4" backset
Strike	1-1/4" x 4-7/8", ANSI, Square corner, no box
Cylinder	6-Pin, Solid brass, Keyed 5-Pin, Falcon G keyway, Keyed different (KD)
Door Range	1-3/8" - 2" standard
Keys	Two, Nickel silver cut keys per lock, Falcon G keyway
Backset	2-3/4"

Prices subject to change without notice

# X-Series • Functions

LOCKS

Grade 1

Cylindrical

X Series

## ANSI A156.2 Series 4000 Grade 2

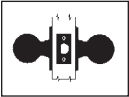
### Key-In-Knob Locks

FALCON ANSI

**X101 F75**

#### Passage/Closet Latchset

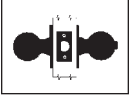
Latch bolt by knobs at all times.



**X301 F76**

#### Privacy Lock

Latch bolt by knobs. Outside locked by push button in inside knob. Rotating inside knob or closing door releases push button. Emergency release in outside knob. Emergency Release Tool M504-271.



**X411 F87**

#### Asylum Lock\*

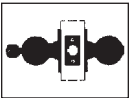
Deadlocking latch bolt by key from either side. Both knobs rigid.



**X501 F82**

#### Entry Lock

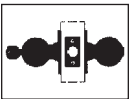
Push button locking. Button on inside locks outside knob until unlocked by key or by rotating inside knob.



**X511 F109**

#### Entry/Office Lock

Turn/push button locking. Pushing and turning button locks outside knob requiring use of key until button is manually unlocked. Push button locking. Pushing button locks outside knob until unlocked by key or by turning inside knob.



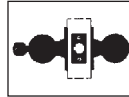
### Key-In-Knob Locks

FALCON ANSI

**X521 F81**

#### Office Lock

Turn button locking. Turning button locks outside knob requiring use of key until button is manually unlocked. Inside knob always free.



**X561 F84**

#### Classroom Lock

Deadlocking latch bolt by knobs. Outside knob is locked by key in outside knob. Inside knob is always free.



**X571 F90**

#### Dormitory Lock

Deadlocking latch bolt by knobs except when locked by push button in inside knob. Key in outside knob locks or unlocks outside knob and releases button. Closing door releases push button. Inside knob always free.



**X581 F86**

#### Storeroom Lock

Deadlocking latch bolt by inside knob or key outside. Outside knob rigid.



**X12**

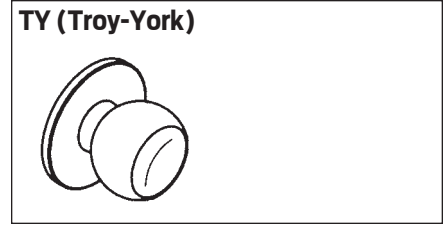
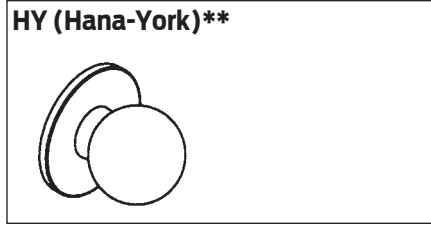
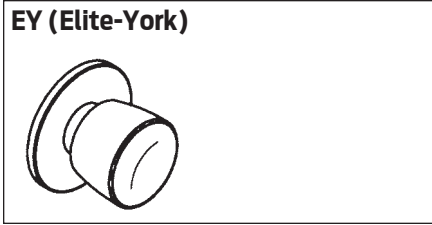
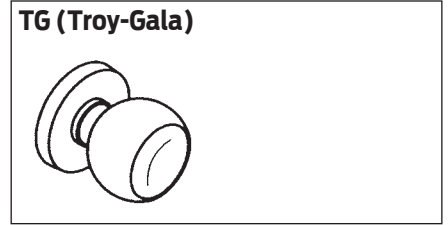
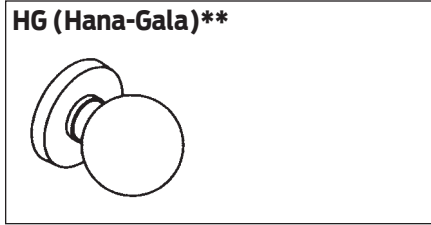
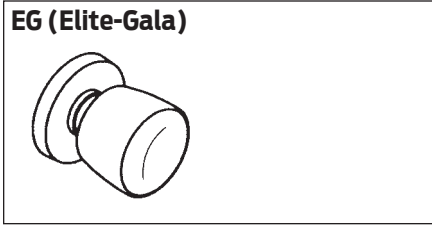
#### Single Dummy Trim

Single Trim—Surface mounted.



\* **Caution:** Double cylinder locks on residences and any door, in any structure, which is used for egress are a life safety hazard in times of emergency and their use is not recommended. Installation should be in accordance with existing codes only.

Prices subject to change without notice



Key-In-Knob		Designs and Finishes					
		EG EY HG HY TG TY					TG TY
Function	Description	626	605	606	613	625	630
<b>Single Cylinder Functions</b>							
X501PD	Entry	\$793.00	\$805.00				\$805.00
X511PD	Entry/Office						
X521PD	Entry/Office						
X561PD	Classroom						
X571PD	Dormitory						
X581PD	Storeroom						
<b>Double Cylinder Functions</b>							
X411PD	Asylum	\$917.00				\$929.00	\$929.00
<b>CAUTION:</b> Double cylinder locks on residences and any door in any structure which is used for egress are a life safety hazard in times of emergency and their use is not recommended. Installation should be in accordance with existing codes only.							
<b>Non-Keyed Functions</b>							
X101S	Passage	\$569.00				\$581.00	\$581.00
X301S	Privacy	701.00				713.00	713.00
X12	Single Dummy Trim	254.00				260.00	260.00

**Notes:** 1) Hana knob not available in IC.  
2) Specify handing for keyed functions

Prices subject to change without notice

# X-Series • Latches and Strikes

LOCKS

## Latches with Locks

Finishes 606, 613, 630

Backset	Description	Specify	Add to Lock Price
2-3/4"	Square corner, 1 1/8" x 2-1/4", std.	98535	N/C
	9/16" radius corner, 1-1/8" x 2-1/4"	98538	
	3/4" proj. square corner, 1-1/8" x 2-1/4"	98835S**	
	9/16" radius x 3/4" proj., 1-1/8" x 2-1/4"	98838S**	\$233.00
	Square corner, 1" x 2 1/4"	92330	21.90
1/4" Radius round corner, 1" x 2-1/4"	92331		
2-3/8"*	Square corner, 1" x 2-1/4"	92320	21.90
	1/4" Radius round corner, 1" x 2-1/4"	92321	
5"	Backset Link for 2-3/4" Backset Latch	A22161-005-00	177.00
5"	Stainless Steel backset link for 2-3/4" backset latches	A22161-055-00	147.00

\* 2-3/8" backset is furnished as a 1" faceplate standard.

\*\* Only available as a deadlatch.

**Note: 1)** Stainless steel latch options include: 98535S, 98538S, 98835S, 98838S

Grade 1

## Strikes with Locks

Description	Lip Length	Specify	Add to Lock Price
ANSI, 1-1/4" x 4-7/8" standard	1-3/16"	5164	N/C
Square corner, full lip 1-5/8" x 2-1/4"	1"	01-049	
1/4" Radius round corner, full lip 1-5/8" x 2-1/4"	1"	01-048	
Square Corner, T-strike, 1-1/8" x 2-3/4"	1-5/16"	5185	\$137.00
Vermin proof strike for ships, 9/16" radius		5133-4	
2 3/4" high T strike, ANSI A115.3	1	5183	N/C
2 3/4" high T strike, ANSI A115.3	1	5183-4	
2 3/4" high T strike, ANSI A115.3	9/16"	5185-4	
2 3/4" high T strike, ANSI A115.3	1-9/16"	5186	
2 3/4" high T strike, ANSI A115.3	1-13/16"	5187	
2 3/4" high T strike, ANSI A115.3	2-1/16"	5188	
2 3/4" high T strike, ANSI A115.3	2-5/16"	5189	
ANSI dust box 1" deep, steel	-	005099-000-30	
Dust box, 1/2" deep, use with 2-3/4" strike	-	012191-003-70	N/C
Dust box, 1/2" deep, stainless steel	-	012191-000-60	
ANSI, 1-1/4" x 4-7/8"	7/8"	5161	N/C

Cylindrical

X Series

## Latches sold separate

Finishes: 606, 613, 630

Latch Face	Backset		List Price
	2-3/8"	2-3/4"	
1" Spring Latch	A92320-000	A92330-000	\$74.30
1" Deadlatch	A92320-00D	A92330-00D	
1" Spring Latch – 1/4" Radius	A92321-000	A92331-000	
1" Deadlatch – 1/4" Radius	A92321-00D	A92331-00D	
1-1/8" Spring Latch *	-	A98535-000	
1-1/8" Deadlatch *		A98535-00D	
1-1/8" Spring Latch – 9/16" Radius *		A98538-000	
1-1/8" Deadlatch – 9/16" Radius *		A98538-00D	
1-1/8" Deadlatch – 3/4" Projection *		A98835-0SD	
1-1/8" Deadlatch – 9/16" Rad. X 3/4" Proj. *		A98838-0SD	
5" Backset Link for 2-3/4" Backset Latch		A22161-005-00	120.00

**Note: 1)** Marine non-ferrous mechanism latches can be ordered by adding "OSD" for Deadlatch or "OOS" for Springlatch

**2)** These latches conform to the standards set forth within ANSI/BHMA 156.2, 156.5, & 156.15 and are suitable for marine applications.

**3)** Marine latches have a \$26.30 add to list price

Shaded items are standard components and are furnished with locks unless otherwise specified.

Prices subject to change without notice

# Latches and Strikes - X-Series

<b>Strikes sold separate Finishes: 605, 606, 613, 625, 626, 629, 630</b>			
<b>Description</b>	<b>Lip Length</b>	<b>Specify</b>	<b>List Price</b>
ANSI, 1-1/4" x 4-7/8"	1-3/16"	005164-000	\$16.10
1/4" Radius round corner, full lip 1-5/8" x 2-1/4"	1"	Q001-048	5.00
Square corner, full lip 1-5/8" x 2-1/4"		Q001-049	
Square Corner, T-strike, 1-1/8" x 2-3/4"	1-1/8"	A05185-000	33.90
2-3/4" high T strike, ANSI A115.3	9/16"	A05185-004	
2-3/4" high T strike, ANSI A115.3	1"	A05183-000	56.90
2-3/4" high T strike, ANSI A115.3	1-9/16"	A05183-004	
2-3/4" high T strike, ANSI A115.3	1-13/16"	A05187-000	63.40
2-3/4" high T strike, ANSI A115.3	2-1/16"	A05188-000	
2-3/4" high T strike, ANSI A115.3	2-5/16"	A05189-000	87.60
Vermin proof strike for ships, 9/16" radius		A05133-004-630	
ANSI dust box 1" deep, steel	-	005099-000-30	11.80
ANSI dust box 1" deep, stainless steel	-	005099-000-60	93.30
Dust box, 1/2" deep, stainless steel		012191-000-60	11.80
Dust box, 1/2" deep, use with 2-3/4" strike		012191-003-70	7.20
ANSI, 1-1/4" x 4-7/8"	7/8"	005161-000	27.10

LOCKS

Grade 1

Cylindrical

X Series

Prices subject to change without notice

# X-Series - Cylinder Options

LOCKS

Grade 1

Cylindrical

X Series

X-Series Complete Cylinders		
Cylinder Mechanism	Part Number	Price Each
5 pin cylinder X411, 501, 511, 521, 581 E & T	A23152	\$63.00
5 pin cylinder X411, 501, 511, 521, 581 H	A23152-02	
5 pin cylinder X561 – E and T designs	A23151	
5 pin cylinder X561 – H designs, 571 – E & T	A23151-02	
5 pin cylinder X571 – H designs	A23151-03	
6 pin cylinder X411, 501, 511, 521, 581 E & T	A23162	
6 pin cylinder X411, 501, 511, 521, 581 H	A23162-02	
6 pin cylinder X561 – E and T designs	A23161	
6 pin cylinder X561 – H designs, 571 – E & T	A23161-02	
6 pin cylinder X571 – H designs	A23161-03	
7 pin cylinder X411, 501, 511, 521, 581 H	A23172-02	78.00
7 pin cylinder X561 – H designs	A23171-01	
7 pin cylinder X571 – H designs	A23171-02	

- Notes:**
- 1) Cylinders are furnished G keyway, keyed differently unless otherwise specified.
  - 2) Finishes: 606 and 626 only.
  - 3) Specify keyway
  - 4) Restricted sections add \$12.30 to list price. See page 4 for list of standard keyways. All other keyways are considered restricted. Contact 877-671-7011 for availability.

Conventional Cylinder Options		
Description	Specify	Add to Lock Price (per core)
5 pinned cylinder	P Suffix Example: X581P	STD
6 pinned cylinder	P6 Suffix Example: X581P6	N/C
7 pinned cylinder	P7 Suffix Example: X581P7	\$13.50
6 pinned Competitor keyway cylinders*	P6 Suffix Example: X581P6 (0 Bitted, KD, KA4 only)	7.60

\* Competitor keyways are furnished 0 bitted, unless otherwise specified. Not available Master keyed. KD option is not available for locks containing 2 cylinders.

Small Format Interchangeable Core and Small Format Construction Core		
Description	Specify	Add to Lock Price (per core)
Small format core (BEST Style) *	BB6/7 Suffix Example: X581BB6	\$50.00
Small format core (Falcon Style) *	G6/7 Suffix Example: X581G6	
Small format construction core **	H Suffix Example: X581HD	50.00
Less Small format core	B Suffix Example: X581BD	N/C
Small format disposable core	BDC Suffix Example: X581BDC	N/C

\* Keying must be specified  
 \*\* Locks are assessed one non-refundable handling charge (50-231F) per core.

**Note:** 5) Control keys are not furnished with locks and must be ordered separately. See page 141 for details

Prices subject to change without notice



Knobs					
Part Number	Description	List Price			
		626	605	606	613 625 630
022258-007	Knob, Troy – Closed	\$94.60	\$97.60		
022258-008	Knob, Troy – Emergency				
022258-009	Knob, Troy – SFIC				
022290-007	Knob, Troy – Button/Cylinder	90.00	93.00		
022950-007	Knob, Hana – Closed				
022950-008	Knob, Hana – Emergency				
022953-007	Knob, Hana – Button/Cylinder	81.40	84.40		
022980-007	Knob, Elite – Closed				
022980-008	Knob, Elite – Emergency				
022980-009	Knob, Elite – SFIC				
022981-007	Knob, Elite – Button/Cylinder				

Note: 1) Hana and Elite not available in 630

Roses					
Part Number	Description	List Price			
		626	605	606	613 625 630
022920-000	Rose, Gala	\$41.40	\$44.40		
024030-000	Rose, York				

Miscellaneous Parts		
Part Number	Description	List Price
012138-000	Push button cap (X301/X501/X571)	\$3.20
012137-000	Turn button cap (X511/X521)	3.20
012136-000	Button mount For Elite & Troy knobs (X501/X521/X301/X511)	16.90
012236-000	Button mount For Elite & Troy knobs (X571)	16.90
012966-000	Button mount For Hana knobs (X501/X521/X301/X511)	16.90
012967-000	Button mount For Hana knobs (X571)	16.90
012172-000-30	X Lock Spanner Wrench	3.00

Note: Need to specify finish

Screws				
Part Number	Description	Finishes	Size	List Price
024416-012	Latch and strike screws	606, 613, 626, 630	8-32 x 3/4" combo	\$0.40
021164-016	ANSI strike screws	606, 613, 626, 630	12-24 x 1" combo	0.66

Screws packs				
Part Number	Description	Specify Finish	Contents	List price
A03519-000	Screw pack	605, 613, 626	024416-012 (2 ea)	\$4.00

Prices subject to change without notice

# X-Series - Options

LOCKS

Locks Less Components		
Description	Specify	Deduct from Lock Price
Less each knob	LLL for knob design Example: X581PD LLL/EG	\$15.60
Less standard cylinder	L suffix Example: X581LD EG	63.00
Less latch	LLL for latch Example: X581PD EG 626 LLL/5164	66.90
Less strike	LLL for strike Example: X581PD EG 626 98535 LLL	15.60

Grade 1

Tactile Warning		
Description	Specify	Per Knob Lock Price
Abrasive - 6 Prefix <sup>1</sup>	Preface the design code with 6 Example: 6EG for ELITE GALA	\$95.30
Knurled - 8 Prefix <sup>2</sup>	Preface the design code with 8 Example: 8EG for ELITE GALA	173.00

Cylindrical

**Note:** 1) Not available in 613  
2) Outside knobs only and not available in 630

X Series

Stainless Steel / Corrosion Resistant Chassis		
Description	Specify	Add to Lock Price
SS – Stainless steel/non-ferrous mechanism	After the function code as "SS" Example: X581 SS PD TG 630	\$301.00

**Note:** 1) When ordering SS you will get the A98538 OSD Deadlatch standard.

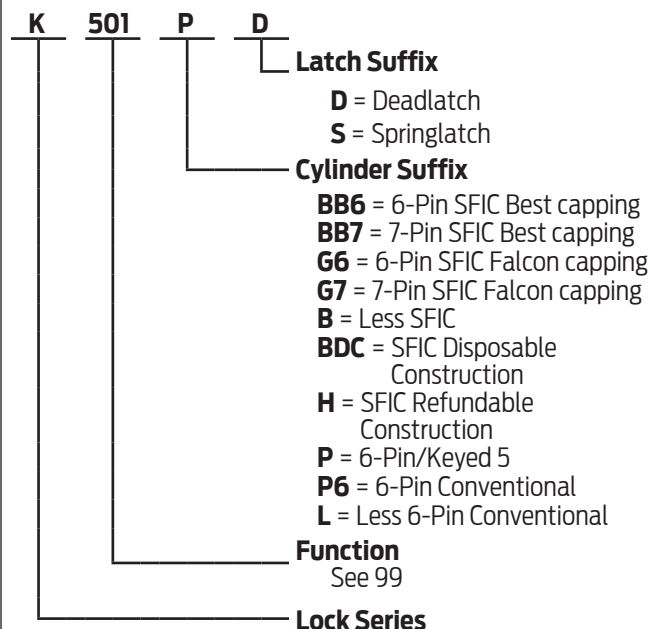
Non-Standard Door Thickness		
Description	Specify	Add to Lock Price
Door thickness over 2-1/8" - 2-1/4"	Door thickness and how door is extended Example: 2-1/4", EE	\$19.40

Prices subject to change without notice

**Table of Contents**

**Functions Charts** **76**  
 Levers ..... 76  
**Complete Lock Pricing** **77**  
 Levers ..... 77  
**Options** **78**  
 Conventional Cylinder Options..... 78  
 Latches ..... 79  
 Strikes ..... 79  
 Miscellaneous Parts ..... 80

**Product Identification**



SFIC = Small Format (Best® Style) Interchangeable Core

**Finish Codes and Descriptions**

Code		Description
613	(US10B)	Oil Rubbed Bronze
626	(US26D)	Satin Chrome

**Standard Features** - Furnished unless otherwise specified



Certification	ANSI A156.2, Series 4000, Grade 1, UL Listed for 3-Hour fire door
Latch	1-1/8" x 2-1/4", Square corner faceplate, 1" housing diameter, 1/2" throw, 2-3/4" backset
Strike	1-1/4" x 4-7/8", ANSI, Square curved lip corner, no box
Cylinder	6-Pin, Solid brass, keyed 5-pin, Falcon G keyway, Keyed different (KD)
Door Range	1-3/8" - 2-1/4" standard, come set for a 1-3/4" thick door standard
Keys	Two, Nickel silver cut keys per lock, Falcon G keyway

Prices subject to change without notice

# K-Series - Lever Functions

LOCKS

## ANSI A156.2, Series 4000 Grade 1

### Key-In-Lever Locks

FALCON ANSI & Function

**K101 F75**

#### Passage Latchset

Latch bolt by levers at all times.



**K301 F76**

#### Privacy Lock

Latch bolt by levers. Outside lever is locked by push button in inside lever. Rotating inside lever or closing door release push button and frees outside lever. Inside lever is always free. Emergency release in outside lever unlocks door.



**K501 F82**

#### Entry Lock

Push Button Locking. Button on the inside locks outside lever until unlocked by key or by rotating inside lever. Inside lever always free. Deadlocking latch bolt.



**K511 F109**

#### Entry/Office Lock

Deadlocking latch bolt by levers. Turn/push button locking. Pushing and turning button locks outside lever, requiring use of a key for unlocking the door until button is manually unlocked. Pushing button locks outside lever until unlocked by key or by rotating inside lever. Inside lever is always free.



### Key-In-Lever Locks

FALCON ANSI & Function

**K561 F84**

#### Classroom Lock

Deadlocking latch bolt by levers. Outside lever is locked by key in outside lever. Inside lever is always free.



**K571**

#### Corridor Lock

Deadlocking latch bolt. Push Button Locking. Button on the inside locks outside lever until unlocked by key or by rotating inside lever. Closing the door releases button. Inside lever always free. Key will lock and unlock from the outside.



**K581 F86**

#### Storeroom Lock

Deadlocking latch bolt by lever inside or key outside. Outside lever is always locked. Inside lever is always free.



**K12**

#### Dummy Trim

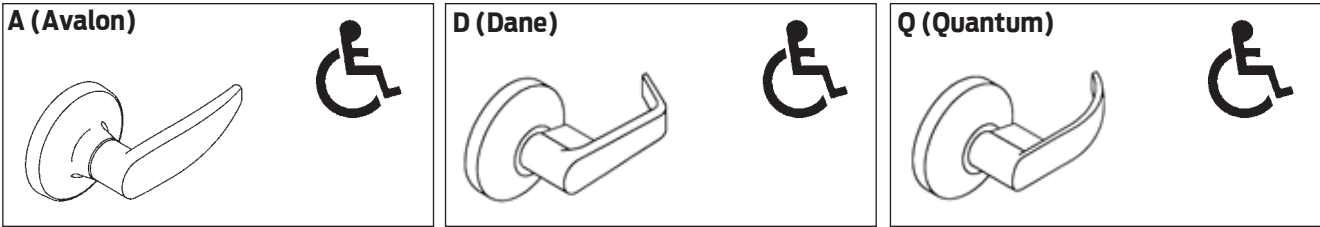
Single trim - surface mounted right lever



Grade 1

Cylindrical

K Series



LOCKS

Grade 1

Cylindrical

K Series

<b>Key-In-Lever</b>		<b>Designs and Finishes</b>	
<b>Function</b>	<b>Description</b>	<b>A D Q</b>	
		<b>626</b>	<b>613</b>
<b>Single Cylinder Functions - Clutched Locked Levers</b>			
K501PD	Entry	\$312.00	\$324.00
K511PD	Entry/Office		
K561PD	Classroom		
K571PD	Dormitory/Corridor		
K581PD	Storeroom		
<b>Non-Keyed Functions</b>			
K101S	Passage	\$255.00	\$267.00
K301S	Privacy	286.00	298.00
<b>Dummy Trim</b>			
K12	Half Dummy	131.00	137.00

Prices subject to change without notice

# K-Series Levers - Cylinder Options

LOCKS

## Conventional Cylinder Options

Description	Specify	Add to Lock Price (per core)
5 pinned cylinder	P Suffix Example: K581P	STD
6 pinned cylinder	P6 Suffix Example: K581P6	N/C

\* Competitor keyways are furnished 0 bitted.

Not available Master keyed. KD option is not available for locks containing 2 cylinders.

- Notes:**
- 1) Finishes: 613 and 626 only
  - 2) Specify keyway
  - 3) Cylinders are furnished G keyway, keyed differently unless otherwise specified.
  - 4) Restricted sections add \$12.30 to list price. See page 4 for list of standard keyways. All other keyways are considered restricted. Contact 877-671-7011 for availability.

Grade 1

Cylindrical

## K-Series Complete Conventional Cylinders

Cylinder Mechanism	Part Number		Price Each
	For All Other Functions	For K571	
6 Pin Falcon keyway cylinder	Q330-396	Q330-310	\$63.00
6 Pin Schlage C keyway cylinder	Q330-391	Q630-306	
6 Pin to 5 Pin Falcon G keyway cylinder	Q330-397	Q330-311	
For other cylinders, see pages 132-136.			

- Notes:**
- 5) Finishes for Falcon keyway cylinders are 613 and 626 only.
  - 6) Falcon cylinders are furnished G keyway unless otherwise specified.
  - 7) Restricted sections see page 131. See Restricted Keyway Policy for standard keyway and policy on use of restricted keyway cylinders. Contact 877-671-7011 for availability.

K Series

## Small Format Interchangeable Core and Small Format Construction Core

Description	Specify	Add to Lock Price (per core)
Small format core (BEST Style) *	BB6/7 Suffix Example: X581BB6	\$50.00
Small format core (Falcon Style) *	G6/7 Suffix Example: X581G6	
Small format construction core **	H Suffix Example: K581HD	
Less Small format core	B Suffix Example: K581BD	N/C
Small format disposable core	BDC Suffix Example: K581BDC	N/C

\* Keying must be specified

\*\* Locks are assessed one non-refundable handling charge (50-231F) per core.

**Note:** 8) Control keys are not furnished with locks and must be ordered separately. See page 141 for details

Prices subject to change without notice

Latches with Locks						
Backset	Description	Specify				Add to Lock Price
		Springlatch 101	Restoring Springlatch 301	Deadlatch 501, 511, 561, 581	Restoring Deadlatch 571	
2-3/8"	Square corner	30-267	30-271	30-301	30-386	N/C
	Radius corner	30-269	30-273	30-275	30-388	
2-3/4"	Square corner	30-266	30-270	30-302	30-385	
	Radius corner	30-268	30-272	30-274	30-387	

**Note:** 1) Standard faceplate size is 2-1/4" x 1-1/8"

Strikes with Locks			
Description	Lip Length	Specify	Add to Lock Price
ANSI, 1-1/4" x 4-7/8" standard	1-3/8"	30-148	N/C
Square Corner, T-Strike 1-1/8" x 2-3/4"	1-3/8"	30-149	
Radius Corner, Full Lip Strike 1-5/8" x 2-1/4"	1"	30-150	
Square Corner, Full Lip Strike 1-5/8" x 2-1/4"	1"	30-151	

Latches as Parts Finishes: 613, 626						
Backset	Description	Specify				List Price
		Springlatch 101	Restoring Springlatch 301	Deadlatch 501, 511, 561, 581	Restoring Deadlatch 571	
2-3/8"	Square corner	Q630-267	Q630-271	Q630-301	Q330-386	\$63.30
	Radius corner	Q630-269	Q630-273	Q630-275	Q330-388	
2-3/4"	Square corner	Q630-266	Q630-270	Q630-302	Q330-385	
	Radius corner	Q630-268	Q630-272	Q630-274	Q330-387	

Strikes as Parts Finishes: 613, 626			
Description	Lip Length	Specify	List Price
ANSI, 1-1/4" x 4-7/8" standard	1-3/8"	Q330-148	\$12.40
Square Corner, T-strike, 1-1/8" x 2-3/4"	1-3/8"	Q330-149	
Radius Corner, Full Lip Strike 1-5/8" x 2-1/4"	1"	Q330-150	
Square Corner, Full Lip Strike 1-5/8" x 2-1/4"	1"	Q330-151	

**Note:** 1) Specify finish when ordering.

Prices subject to change without notice

# K-Series - Misc. Parts & Options

LOCKS

## Locks Less Components

Description	Specify	Deduct from Lock Price
Less standard (conventional) cylinder	L Suffix Example: K581LD DAN	\$23.90
Less latch	LLL Suffix Example: K581PD6 DAN 626 LLL 30-148	18.80
Less strike	LLL Suffix Example: K581GD7 DAN 626 30-206 LLL	6.30

Grade 1

## Screws

Part Number	Description	Finishes	List Price
Q630-254	Screw Pack	613, 626	\$6.60
Q330-399	Screw Pack – Dummy Trim	–	4.70

Cylindrical

## Miscellaneous Parts

Part Number	Description	List Price
Q330-393	Conventional Falcon G Cylinder tailpiece (K501, 511, 581, 561)	\$4.60
Q330-394	Conventional Falcon G Cylinder tailpiece (K571)	
Q630-312	Conventional Schlage C cylinder tailpiece (K501, 511, 581, 561)	
Q630-288	Conventional Schlage C cylinder tailpiece (K571)	
Q630-289	SFIC Tailpiece (K501, 511, 581, 561)	
Q330-392	SFIC Tailpiece (K571)	64.80
Q630-246	Inside Spring Cage Kit	
Q630-279	2-1/4" x 1-1/8" Faceplate, deadlatch, round corner	7.20
Q630-278	2-1/4" x 1-1/8" Faceplate, deadlatch, square corner	
Q630-277	2-1/4" x 1-1/8" Faceplate, springlatch, round corner	
Q630-276	2-1/4" x 1-1/8" Faceplate, springlatch, square corner	

K Series

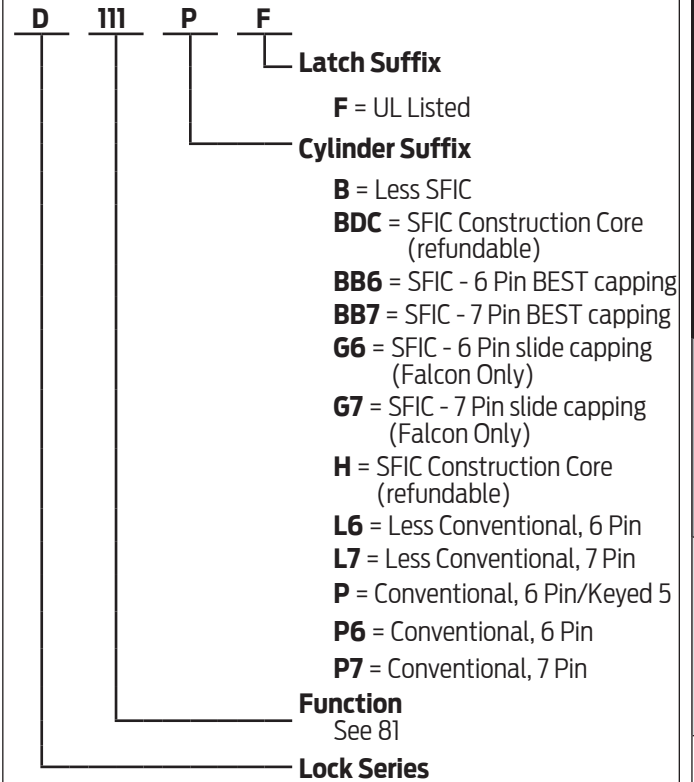
Prices subject to change without notice



**Table of Contents**

<b>Function Charts</b>	<b>83</b>
<b>Complete Lock Pricing</b>	<b>84</b>
<b>Options</b>	
Deadbolts .....	85
Strikes .....	85
Small Format Interchangeable Cores.....	86
Small Format Construction Cores .....	86
Lock Less Components .....	87
Conventional Cylinder Options.....	87
Parts .....	88
Trim.....	88
Deadbolts .....	88
Strikes .....	89
Adapters.....	89

**Product Identification**



SFIC = Small Format (Best® Style) Interchangeable Core

**Finish Codes and Descriptions**

<b>Code</b>		<b>Description</b>
605	(US3)	Bright Brass
606	(US4)	Satin Brass
613	(US10B)	Oil Rubbed Bronze
625	(US26)	Bright Chrome
626	(US26D)	Satin Chrome

**Standard Features** - Furnished unless otherwise specified

Certification	BHMA - ANSI A156.5, 2001, Grade 1 auxiliary lock, Available UL Listed for 3-Hour fire door
Deadbolt	1-1/8" x 2-1/4", Square corner faceplate, 1" housing diameter, 1" throw
Strike	1-1/8" x 2-3/4", lipless, with box
Cylinder	6-Pin, Solid brass, Keyed 5-Pin, Falcon G keyway, Keyed different (KD)
Door Range	1-3/8" - 1 7/8" standard cylinder and thumbturn only; 1-5/8" - 2-1/4" interchangeable core cylinder
Keys	Two, Nickel silver cut keys per lock, Falcon G keyway
Reinforcement	Metal dust box reinforcer with three - 3" screws
Trim Ring	1" Wrought brass or bronze, reinforced with security insert
Backset	2-3/8" and 2-3/4" adjustable



Prices subject to change without notice

# D100 Series

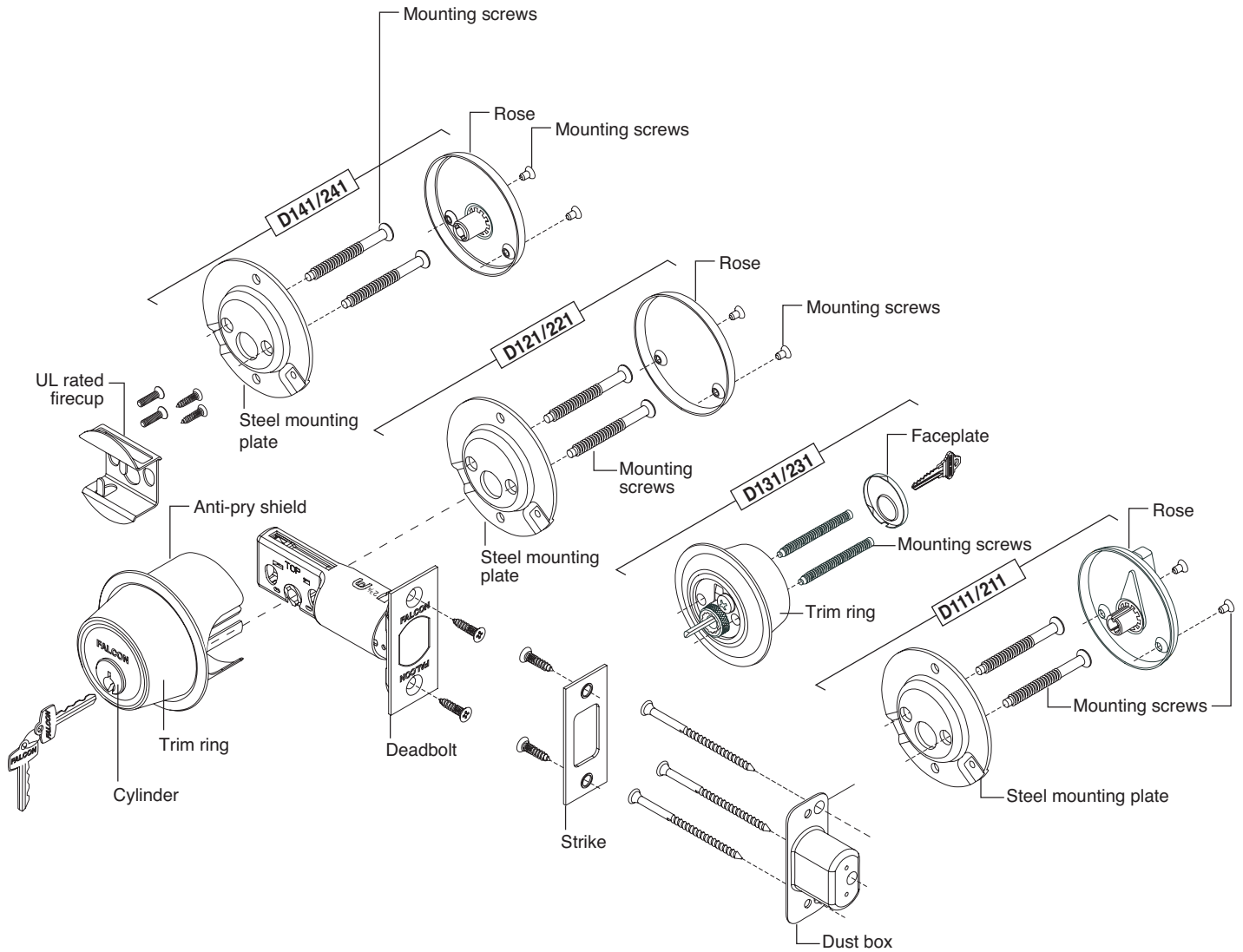
## GRADE 1 DEADBOLT

LOCKS

Grade 1

Deadbolt

D100 Series



Prices subject to change without notice

**BHMA / ANSI A156.5, 2001, Grade 1  
Bored Deadbolt Locks**

FALCON ANSI

**D111P E0171**

**Classroom Function**

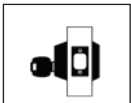
Deadbolt thrown or retracted by key from outside. Inside turn will only retract bolt. Bolt automatically deadlocks when fully thrown.



**D121P E0161**

**Single Cylinder x Rose**

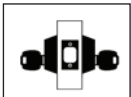
Deadbolt thrown or retracted by key only. Blank plate inside. Bolt automatically deadlocks when fully thrown.



**D131P E0141**

**Double Cylinder**

Deadbolt thrown or retracted by key from either side. Bolt automatically deadlocks when fully thrown.



**D141P E0151**

**Single Cylinder x Turn**

Deadbolt thrown or retracted by key or by turn. Bolt automatically deadlocks when fully thrown.



**D151**

**Turn x Turn**

Deadbolt thrown or retracted by turn unit from either side. Application for shelters. Bolt automatically deadlocks when fully thrown.

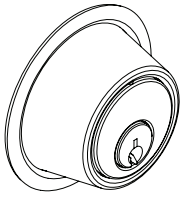


Prices subject to change without notice

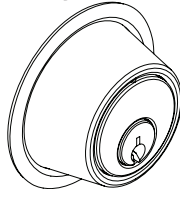
# D100 Series - Levers and Parts

LOCKS

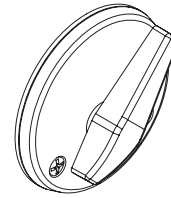
Outside Cylinder Trim



Inside Cylinder Trim



Rose and Turn



## D-100 Series

Function	Description	Designs and Finishes			
		626	605	606	613 625
<b>Single Cylinder Functions</b>					
D111P	Classroom Function	\$167.00		\$173.00	
D121P	Single Cylinder x Blank Rose	147.00		153.00	
D141P	Single Cylinder x Turn				
<b>Double Cylinder Functions</b>					
<b>CAUTION:</b> Double cylinder locks on residences and any door in any structure which is used for egress are a life safety hazard in times of emergency and their use is not recommended. Installation should be in accordance with existing codes only.					
D131P	Cylinder x Cylinder	\$191.00		\$197.00	
<b>Non-Keyed Functions</b>					
D151	Turn x Turn	\$122.00		\$128.00	

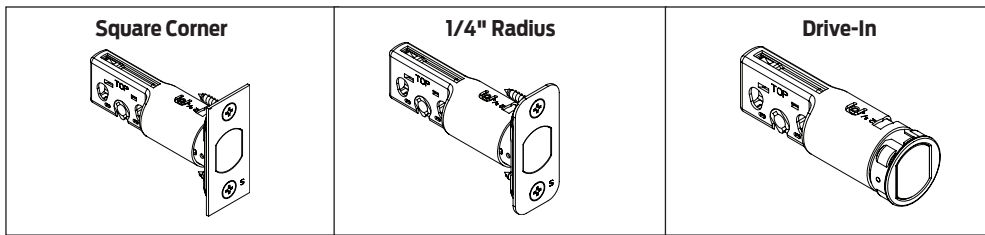
- Notes:**
- 1) Split finishes are priced at the highest finish price.
  - 2) Keying options: See page 4
  - 3) 'F' suffix must be added for UL product.

Grade 1

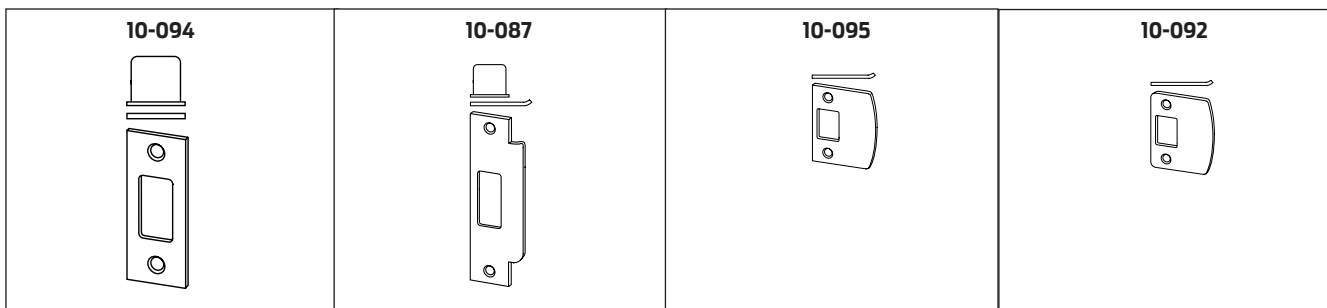
Deadbolt

D100 Series

Prices subject to change without notice



Deadbolts with Locks				
Backset	Description	HSG Dia	Specify	Add to Lock Price
2-3/8" or 2-3/4"	Square corner, 1-1/8" x 2-1/4", standard	1"	30-256	N/C
	Square corner, 1" x 2-1/4"		30-176	
	1/4" Radius round corner, 1" x 2-1/4"		30-178	
	Circular, Drive-In bolt, 626 only		30-257	
For UL Listed Locks				
2-3/8" or 2-3/4" UL	Square corner, 1-1/8" x 2-1/4", standard	1"	30-174	N/C
	Square corner, 1" x 2-1/4"		30-172	
	Circular, Drive-In bolt, 626 only		30-259	



Strikes with Locks			
Description	Lip Length	Specify	Add to Lock Price
Drive-In thimble strike, 1-3/16" dia.	1"	10-064	N/C
ANSI, 1-1/4" x 4-7/8", with box	1-1/8"	10-087	\$7.30
Full Lip, 1/4" radius corner, 1-5/8" x 2-1/4", no box	1-5/16"	10-092	N/C
Square Corner with metal dust box, 1-1/8" x 2-3/4", standard	-	10-094	
Full Lip, square corner, 1-5/8" x 2-1/4", no box		10-095	
1-1/8" square corner and strike		5075	
Dust Box		005099-000	
Strike Reinforcer used with 10-094		37-016	

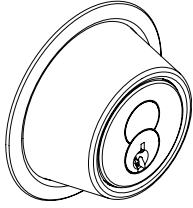
Shaded items are standard components and are furnished with locks unless otherwise specified.

Prices subject to change without notice

# D100 Series • Options

LOCKS

## Small Format Interchangeable Core



### Small Format Interchangeable Core and Small Format Construction Core

Description	Specify	Add to Lock Price (per core)
Small format core (Best Style) *	BB6/7 Suffix Example: D111BB6	\$50.00
Small format core (Falcon Style) *	G6/7 Suffix Example: D111G6	
Small format construction core **	H Suffix Example: D111HD	50.00
Less Small format core	B Suffix Example: D111BD	N/C
Small format disposable core	BDC Suffix Example: D111BDC	N/C

\* Keying must be specified

\*\* Locks are assessed one non-refundable handling charge (50-231F) per core.

**Notes:** 1) Split finishes are priced at the highest finish price.

2) Key section must be specified and applicable charges for restricted sections will be applied. See page 131.

3) Control keys are not furnished with locks and must be ordered separately. See page 141 for details

Prices subject to change without notice

Grade 1

Deadbolt

D100 Series

Lock Less Components		
Description	Specify	Deduct from Lock Price
Less deadbolt	LLL for latch Example: D211P 605 30-171 LLL	\$12.90
Less strike	LLL for strike Example: D211L	4.00
Less conventional cylinder	L suffix Example: D211L	22.50
Less conventional cylinder D131	L suffix Example: D131L	45.00

Conventional Cylinder Options		
Description	Specify	Add to Lock Price (per core)
5 pinned cylinder	P Suffix Example: D111P	STD
6 pinned cylinder	P6 Suffix Example: D111P6	N/C
7 pinned cylinder (Not available on D131)	P7 Suffix Example: D111P7	\$13.50
6 pinned Competitor keyway cylinders*	P6 Suffix Example: D111P6 (0 Bitted, KD, KA4 only)	7.60

\* Specify specific competitor keyway on order. Competitor keyways are furnished 0 bitted, unless otherwise specified. Not available Master keyed. KD option is not available for locks containing 2 cylinders.

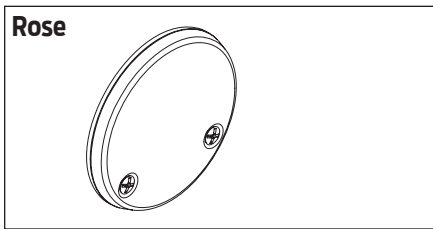
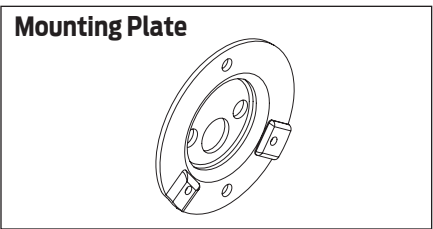
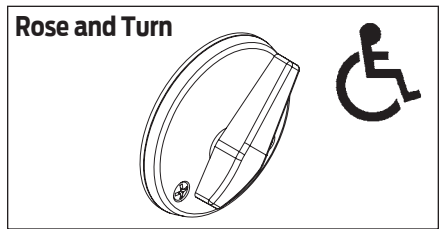
D100-Series Complete Conventional Cylinders		
Cylinder Mechanism	Part Number	Price Each
5 Pin Cylinder - D111, D141	Q500-064	\$63.00
5 Pin Cylinder - D121	Q500-066	
5 Pin Cylinder - D131	Q500-070	
6 Pin Cylinder - D111, D141	Q500-021	
6 Pin Cylinder - D121	Q500-058	
6 Pin Cylinder - D131	Q500-054	
7 Pin Cylinder - D111, D141	Q500-046	78.00
7 Pin Cylinder - D121	Q500-059	

- Notes:**
- 1) Finishes: 606 and 626 only
  - 2) Specify keyway
  - 3) Cylinders are furnished G keyway, keyed differently unless otherwise specified.
  - 4) Restricted sections add \$12.30 to list price. See page 4 for list of standard keyways. All other keyways are considered restricted. Contact 877-671-7011 for availability.

Prices subject to change without notice

# D100 Series - Parts

LOCKS



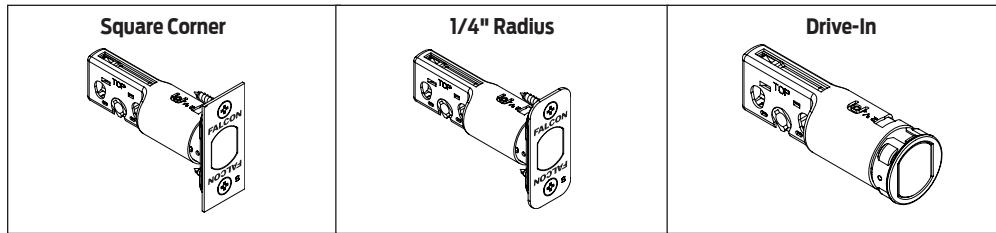
## Trim

Part Number	Specify Finish	Description	Price Each
B302-041	.	Rose and Turn	\$52.40
B302-045	.	Rose and Turn (D111)	52.40
12-626	.	Blank Rose (D121)	29.90
B600-018	.	Mounting plate for rose and rose & turn	12.10

**Note:** 1) For trim rings and inserts see Cylinders: D100

Grade 1

Deadbolt



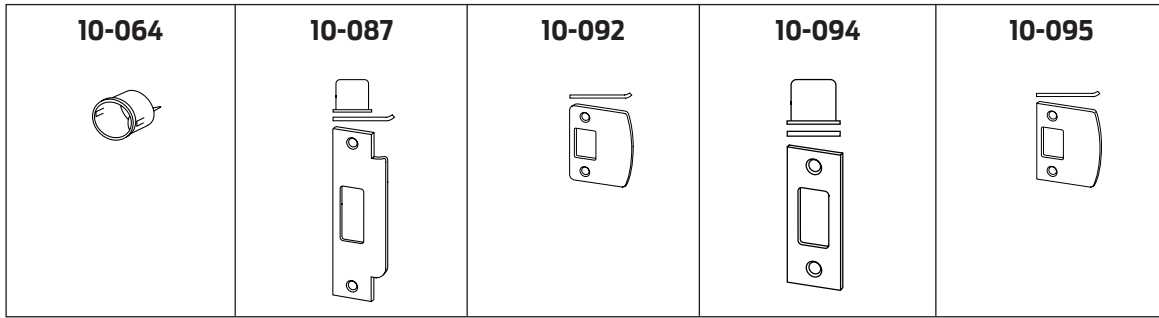
D100 Series

## Deadbolts

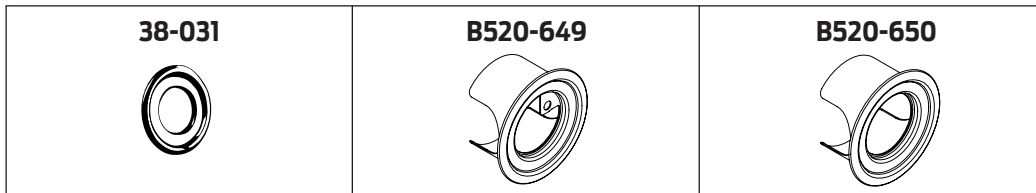
Part Number	Specify Finish	Housing Diameter	Description	Price Each
Q330-256	.	2-3/8" or 2- 3/4" Universal	Square corner, 1-1/8" x 2-1/4" faceplate	\$19.00
Q330-176	.		Square corner, 1" x 2-1/4" faceplate	
Q330-178	.		1/4" radius corner, 1" x 2-1/4" faceplate	
Q330-257	626		1" circular drive-in, 626 only	

Prices subject to change without notice





Strikes				
Part Number	Specify Finish	Description	Lip Length	Price Each
10-064	.	Drive-In, thimble strike, 1-3/16" deep	-	\$19.70
10-087	.	ANSI, 1-1/4" x 4-7/8, with box	1-1/8"	27.00
10-094	.	Square corner with metal dust box, 1-1/8" x 2-3/4"	-	14.00
10-092	.	Full lip, 1/4" radius corner, 1-5/8" x 2-1/4", no box	1-5/16"	9.00
10-095	.	Full lip, square corner, 1-5/8" x 2-1/4", no box		9.00
J250-028		2" strike mounting screws		2.50
5075	.	Security Strike	-	11.20



Adapters			
Part Number	Specify Finish	Description	Price Each (per finish)
			605 606 613 625 626
38-031	.	2-1/2" diameter adapter ring for 2-1/8" door prep, for under cylinder	22.50
B520-649	.	Trim ring w/shield for D131/D141	27.80
B520-650	.	Trim ring w/shield for IC functions	27.80
36-071	.	1-3/8" IC Core thin door shim kit, contains 36-066 & 36-068	17.20

Prices subject to change without notice

LOCKS

Screws						
Part Number	Specify Finish	Description		Application		Price Each (Order in multiples of 100)
		Size	Type	Use	Door Thickness	
<b>Keyed, Single Conventional Cylinder</b>						
B600-100		1/4"-28 x 1-15/16"	POH mach.	Mounting	1-3/8" - 1-3/4"	\$2.90
B600-101		1/4"-28 x 2.425"	POH mach.	Mounting	over 1-3/4"	
B600-066	.	6-32 x 1/4"	PH mach.	Turn	-	0.88
B520-298		10-32 x 3/8"	PH mach.	Anti-pry shield	-	
<b>Keyed, Single SFIC Cylinder</b>						
B600-100		1/4"-28 x 1-15/16"	POH mach.	Mounting	1-3/8" - 2-1/4"	2.90
B600-066	.	6-32 x 1/4"	PH mach.	Turn	-	
<b>Keyed, Double Conventional Cylinder</b>						
B600-047		1/4"-28 x 3-13/16"	PH mach.	Mounting	1-3/8" - 1-3/4"	2.90
B600-078		1/4"-28 x 3-29/64"	PH mach.	Mounting	over 1-3/4"	
B520-298		10-32 x 3/8"	PH mach.	Anti-pry shield	-	0.88
<b>Keyed, Double SFIC Cylinder</b>						
B600-053		1/4"-28 x 3-61/64"	PH mach.	Mounting	1-3/4" - 2-1/4"	2.90
B520-298		10-32 x 3/8"	PH mach.	Anti-pry shield	-	0.88
<b>All Functions</b>						
C603-897	.	#8 x 3/4"	PFH combo	Deadbolt & strike	-	1.00
J250-028		#8 x 2"	PFH wood	2" strike screw	-	2.50
R525-256		#12 x 3"	PFH wood	3" metal dust box	-	

Grade 1

Deadbolt

D100 Series

Screw Packs				
Part Number	Specify Finish	Door Thickness	Contents	Price Each
<b>Keyed, Single Conventional Cylinder</b>				
61-500	.	1 3/8" - 1 3/4"	(1) B600-018 (2) B600-100 (2) B600-066 (4) C603-897	\$17.20
61-501	.	over 1 3/4" - 2 1/4"	(1) B600-018 (2) B600-101 (2) B600-066 (4) C603-897	17.20
<b>Keyed, Single SFIC Cylinder</b>				
61-500	.	1 3/8" - 2"	(1) B600-018 (2) B600-100 (2) B600-066 (4) C603-897	\$17.20
<b>Keyed, Double Conventional Cylinder</b>				
61-502	.	1 3/8" - 1 3/4"	(2) B600-047 (4) C603-897	\$13.20
61-503	.	over 1 3/4" - 2 1/4"	(2) B600-078 (4) C603-897	13.20
<b>Keyed, Double SFIC Cylinder</b>				
61-507	.	1 3/8" - 2"	(2) B600-053 (4) C603-897	\$13.20

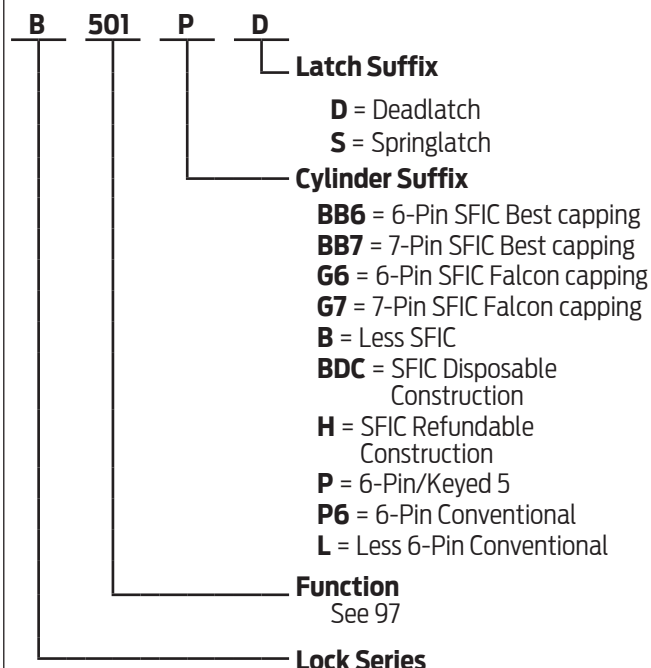
Prices subject to change without notice

**Table of Contents**

**Functions** **93**  
**Complete Lock Pricing** **94**  
**Options** **95**  
 Conventional Cylinder Options.....95  
 Small Format Interchangeable Cores.....95  
 Small Format Construction Cores .....95  
 Latches .....96  
 Strikes .....96  
 Lock Less Components..... 97  
 Tactile Warning Strip (not available in 613)..... 97

**Parts**  
 Levers ..... 97  
 Roses..... 97  
 Chassis Assemblies ..... 97  
 Screws.....98  
 Misc. Parts.....98

**Product Identification**



SFIC = Small Format (Best® Style) Interchangeable Core

**Finish Codes and Descriptions**

Code		Description
605	(US3)	Bright Brass
606	(US4)	Satin Brass
613	(US10B)	Oil Rubbed Bronze
625	(US26)	Bright Chrome
626	(US26D)	Satin Chrome

**Standard Features** - Furnished unless otherwise specified



Certification	ANSI A156.2, Series 4000, Grade 2, UL Listed for 3-Hour fire door
Latch	1-1/8" x 2-1/4", Square corner faceplate, 1" housing diameter, 1/2" throw, 2-3/4" backset
Strike	1-1/4" x 4-7/8", ANSI, Square corner, no box
Cylinder	6-Pin, Solid brass, Keyed 5-Pin, Falcon G keyway, Keyed different (KD)
Door Range	1-3/8" - 2" standard (exceptions for communicating locks - see pg 98)
Keys	Two, Nickel silver cut keys per lock, Falcon G keyway

Prices subject to change without notice

# B Series

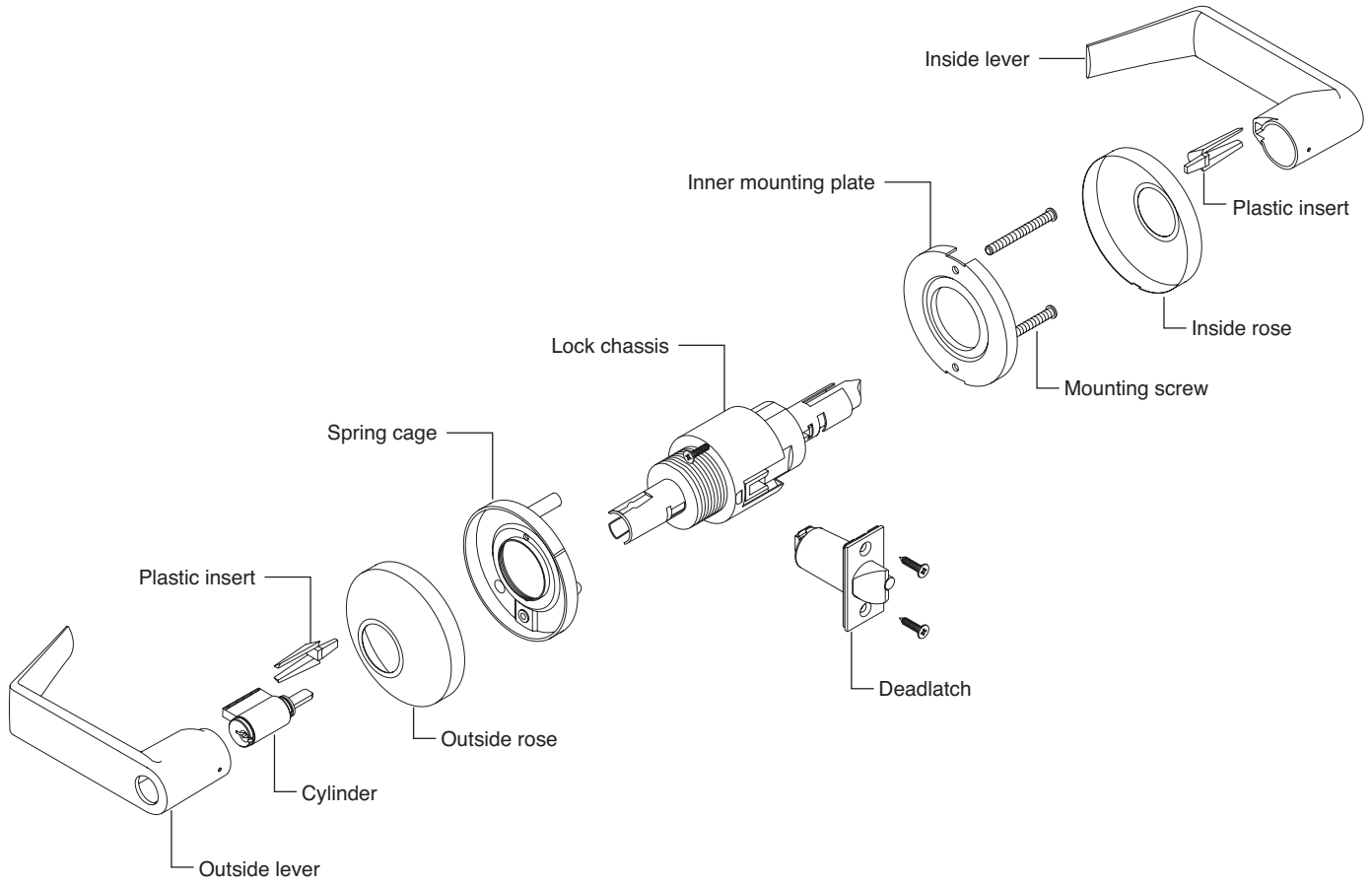
## GRADE 2 CYLINDRICAL LOCK

LOCKS

Grade 2

Cylindrical

B Series



Prices subject to change without notice

**ANSI A156.2 Series 4000 Grade 2**

**Key-In-Lever Locks**

FALCON ANSI

**B101 F75**



**Passage/Closet Latchset**

Latch bolt by levers at all times.

**B161 F111**



**Communicating Passage Lock**

Deadlocking latch bolt by inside lever. Non-removable blank plate outside.

**B301 F76**



**Privacy/Bedroom/Bath Lock**

Latch bolt by levers. Outside lever locked by push button in inside lever. Rotating inside lever or closing door releases push button. Emergency release in outside lever unlocks door.

**B341 F112**



**Communicating Store Room Lock**

Deadlocking latch bolt by inside lever locked by push button in inside lever except when locked by key. Non-removable blank plate on opposite side of lever (11/16" projection).

**B501 F82**



**Entry Lock**

Push button locking. Button on inside locks outside lever until unlocked by key or by rotating inside lever. Inside lever always free. Deadlocking latch bolt.

**B511 F109**



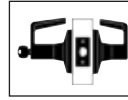
**Entry/Office Lock**

Turn/push button locking. Pushing and turning button locks outside lever requiring use of key until button is manually unlocked. Push button locking. Pushing button locks outside lever until unlocked by key or by rotating inside lever. Inside lever always free. Deadlocking latch bolt.

**Key-In-Lever Locks**

FALCON ANSI

**B561 F84**



**Classroom Lock**

Deadlocking latch bolt by levers. Outside lever is locked by key in outside lever. Inside lever is always unlocked for immediate egress.

**B581 F86**



**Store Room**

Deadlocking latch bolt by lever inside or key outside. Outside lever is always locked. Inside lever is always unlocked for immediate egress.

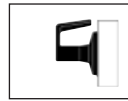
**B611 F90**



**Dormitory/Corridor Lock**

Deadlocking latch bolt by levers except when locked by push button on inside lever. Key in outside lever locks or unlocks outside lever and releases button. Closing door releases push button. Inside lever is always free.

**B12**



**Dummy Trim**

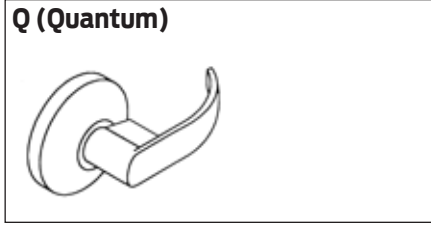
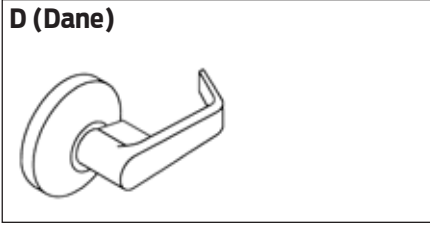
Single Trim-surface mounted rigid lever.

Prices subject to change without notice

# B-Series • Complete Locks

Grade 2 Standard Duty Cylindrical Locksets  
ANSI-A156.2, SERIES 4000, GRADE 2

LOCKS



Grade 2

Cylindrical

B Series

Key-In-Lever		Designs and Finishes				
		D Q				
Function	Description	626	605	606	613	625
<b>Single Cylinder Functions</b>						
B341PD*	Connecting/Exit	\$245.00	\$257.00			
B501PD	Entry					
B511PD	Entry/Office					
B561PD	Classroom					
B581PD	Storeroom					
B611PD	Dormitory/Corridor	277.00	289.00			
<b>Non-Keyed Functions</b>						
B101S	Passage	\$176.00	\$188.00			
B161D*	Communicating Latch					
B301S	Privacy	204.00	216.00			
<b>Dummy Trim</b>						
B12	Half Dummy	80.00	86.00			

\* The B161 and B341 need to be specified as shown for correct door ranges: 138 for (1-3/8"-1-5/8") or 134 for (>1-5/8"-2")

Prices subject to change without notice

Conventional Cylinder Options		
Description	Specify	Add to Lock Price (per core)
5 pinned cylinder	P Suffix Example: B581P	STD
6 pinned cylinder	P6 Suffix Example: B581P6	N/C
6 pinned Competitor keyway cylinders*	P6 Suffix Example: B581P6 (0 Bitted, KD, KA4 only)	\$7.60

\* Specify specific competitor keyway on order. Competitor keyways are furnished 0 bitted, unless otherwise specified. Not available Master keyed. KD option is not available for locks containing 2 cylinders.

B-Series Complete Conventional Cylinders		
Cylinder Mechanism	Part Number	Price Each
5 Pin Cylinder	A23155-02	\$63.00
5 Pin Cylinder - B611	A23151-06	
6 Pin Cylinder	A23165-02	
6 Pin Cylinder - B611	A23161-06	

- Notes:**
- 1) Finishes: 606 and 626 only.
  - 2) Specify keyway.
  - 3) Cylinders are furnished G keyway, keyed differently unless otherwise specified.
  - 4) Restricted sections add \$12.30 to list price. See page 4 for list of standard keyways. All other keyways are considered restricted. Contact 877-671-7011 for availability.

Small Format Interchangeable Core and Small Format Construction Core		
Description	Specify	Add to Lock Price (per core)
Small format core (BEST Style) *	BB6/7 Suffix Example: B581BB6	\$50.00
Small format core (Falcon Style) *	G6/7 Suffix Example: B581G6	
Small format construction core **	H Suffix Example: B581HD	50.00
Less Small format core	B Suffix Example: B581BD	N/C
Small format disposable core	BDC Suffix Example: B581BDC	N/C

\*Keying must be specified.

\*\* Locks are assessed one non-refundable handling charge (50-231F) per core.

**Note:** 5) Control keys are not furnished with locks and must be ordered separately. See page 141 for details

Prices subject to change without notice

# B-Series • Latch and Strike Options

LOCKS

Latches with Locks				
Backset	Description	Specify		Add to Lock Price
		Springlatch/Deadlatch	301/611	
2-3/4"	Square corner, 1-1/8" x 2-1/4", standard	57435	57635	N/C
	Square corner, 1" x 2-1/4"	57430	57630	
	1/4" Radius round corner, 1" x 2-1/4"	57431	57631	
2-3/8" **	Square corner, 1" x 2-1/4"	57420	57620	N/C
	Square corner, 1-1/8"	57425	57625	
	1/4" Radius round corner, 1" x 2-1/4"	57421	57621	
5"	Backset extension link	A31727-005-00 *		\$45.20

\* Backset extension link A31727-005-00 must be used with 2-3/8" backset latches

\*\* 2-3/8" backset is furnished as a 1" faceplate standard.

Grade 2

Strikes with Locks			
Description	Lip Length	Specify	Add to Lock Price
ANSI, 1-1/4" x 4-7/8" standard	1-3/16"	5164	N/C
Square Corner, full lip 1-5/8" x 2-1/4"	1"	01-049	N/C
1/4" Radius round corner, full lip 1-5/8" x 2-1/4"	1"	01-048	N/C
Square Corner, T-strike, 1-1/8" x 2-3/4"	1-5/16"	01-046	N/C
ANSI dust box 1" deep, steel	-	005099-000-30	N/C
ANSI, 1-1/4" x 4-7/8"	7/8"	5161	N/C

Cylindrical

Latches sold separate Finishes: 605, 613			
Latch Face	Backset & Price		
	2-3/8"	2-3/4"	Price
1" Spring Latch (101)	A57420-000	A57430-000	\$33.20
1" Spring Latch (301)	A57620-000	A57630-000	
1" Spring Latch - 1/4" Rad. (101)	A57421-000	A57431-000	
1" Spring Latch - 1/4" Rad. (301)	A57621-000	A57631-000	
1" Deadlatch	A57420-00D	A57430-00D	
1" Deadlatch (611)	A57620-00D	A57630-00D	
1" Deadlatch - 1/4" Rad.	A57421-00D	A57431-00D	
1" Deadlatch - 1/4" Rad. (611)	A57621-00D	A57631-00D	
1-1/8" Spring Latch (101)	A57425-000	A57435-000	
1-1/8" Spring Latch (301)	A57625-000	A57635-000	
1-1/8" Deadlatch	A57425-00D	A57435-00D	
1-1/8" Deadlatch (611)	A57625-00D	A57635-00D	

B Series

Strikes sold separate Finishes: 605, 606, 613, 626, 630 (ANSI only)			
Description	Lip Length	Specify	List Price
Square Corner, T-strike, 1-1/8" x 2-3/4"	1-1/8"	Q001-046	\$5.00
1/4" Radius round corner, full lip 1-5/8" x 2-1/4"	1"	Q001-048	
Square corner, full lip 1-5/8" x 2-1/4"		Q001-049	
ANSI, 1-1/4" x 4-7/8" standard	1-3/16"	005164-000	16.10
ANSI dust box 1" deep, steel	-	005099-000-30	11.80
ANSI, 1-1/4" x 4-7/8"	7/8"	005161-000	27.10

Shaded items are standard components and are furnished with locks unless otherwise specified.

Prices subject to change without notice



# Trim and Chassis Options - B-Series

LOCKS

Grade 2

Cylindrical

B Series

Lock Less Components		
Description	Specify	Deduct from Lock Price
Less standard cylinder	L suffix Example: B581LD DAN	\$63.00
Less latch	LLL for latch Example: B581PD DAN 626 LLL 5164	15.60
Less strike	LLL for strike Example: B581PD DAN 626 57435 LLL	11.80

Tactile Warning		
Description	Specify	Per Lever Lock Price
Abrasive Strip*	Preface the design code with 6 Example: 6DA for DAN	\$57.00

\* Not available in 613

Levers		
Part Number	Description	List Price
		605, 606, 613, 625, 626
A31750-000	Lever, Dane closed	\$48.90
A31751-000	Lever, Quantum closed	
A31750-001	Lever, Dane open	
A31751-001	Lever, Quantum open	
031700-002	Lever, Dane IC	
031701-002	Lever, Quantum IC	

Roses		
Part Number	Description	List Price
		605, 606, 613, 625, 626
031702-000	Rose, Outer	\$19.60
031703-000	Rose, Inner	
A31764-000	Rose, Blank Insert and Post	

B Series Chassis Assemblies			
Part Number		Description	Price
Conventional Cylinder	IC Core		
A31706-000-00		B101 Chassis	\$142.00
A31707-000-00		B161 Chassis – 1-5/8" – 2" Door Thickness	
A31707-002-00		B161 Chassis – 1-3/8" – 1-5/8" Door Thickness	142.00
A31709-000-00	A31709-001-00	B301/501 Chassis	172.00
A31714-000-00	A31714-001-00	B511 Chassis	
A31715-000-00	A31715-001-00	B561 Chassis	230.00
A31716-000-00	A31716-001-00	B581 Chassis	172.00
A31708-000	A31708-001	B341 Chassis – >1-5/8" – 2" Door Thickness	
A31708-002	A31708-003	B341 Chassis – 1-3/8" – 1-5/8" Door Thickness	
A31739-000	A31739-001	B611 Chassis	258.00

**Note:** 4) Chassis provided with trim finish on B341 and B611.

Prices subject to change without notice

# B-Series • Parts

LOCKS

Screws				
Part Number	Description	Finishes	Size	List Price
021164-016	ANSI strike screws	606, 613, 626, 630	12-24 x 1" combo	\$0.66
024416-012	Latch and strike screws	606, 613, 626, 630	8-32 x 3/4" combo	0.38
A31767-000	Screw pack 2-Strike screws, 2- Latch screws, 2- Mounting screws, 2- ANSI Strike screws, and 1- Pin Wrench	605, 613, 626		5.70

Grade 2

Miscellaneous Parts		
Part Number	Description	List Price
031705-000-30	Inside Rose Liner	\$2.40
031718-000	Push button cap	2.90
031719-000	Turn button cap	3.20
031741-000-50	Lever insert	0.64

Cylindrical

B Series

Prices subject to change without notice

**Table of Contents**

**Function Charts** **101**

Levers ..... 101

Function Charts..... 102

Knobs ..... 102

**Complete Lock Pricing**

Levers/Knobs ..... 103

Small Rose Levers/Knobs ..... 104

**Options**

Conventional Cylinder Options..... 105

Complete Conventional Cylinders ..... 105

Interchangeable Core & Const. Core ..... 105

Latches ..... 106

Strikes ..... 106

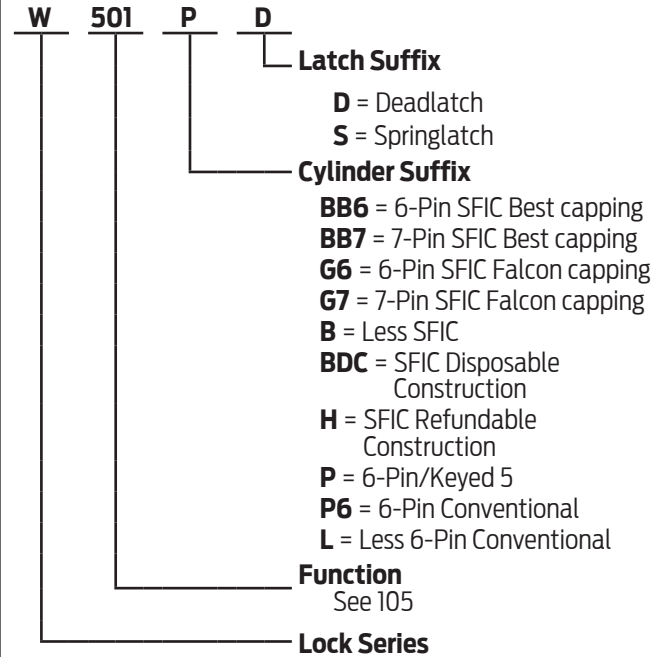
Lock Less Components ..... 107

Tactile Warning Strip ..... 107

Scews ..... 107

Misc. Parts..... 107

**Product Identification**



SFIC = Small Format (Best® Style) Interchangeable Core

**Finish Codes and Descriptions**

Code		Description
605	(US3)	Bright Brass
606*	(US4)	Satin Brass
613	(US10B)	Oil Rubbed Bronze
619	(US15)	Satin Nickel
622		Matte Black
625	(US26)	Bright Chrome
626	(US26D)	Satin Chrome
643E	(US11)	Aged Bronze

\*Not available on small rose

**Standard Features** - Furnished unless otherwise specified



Certification	ANSI A156.2, Series 4000, Grade 2, UL Listed for 3-Hour fire door
Latch	1-1/8" x 2-1/4", Square corner faceplate, 1" housing diameter, 1/2" throw, 2-3/4" backset
Strike	1-1/4" x 4-7/8", ANSI, Square corner, no box
Cylinder	6-Pin, Solid brass, keyed 5-pin, Falcon G keyway, Keyed different (KD)
Door Range	1-3/8" - 1-3/4" standard
Keys	Two, Nickel silver cut keys per lock, Falcon G keyway

Prices subject to change without notice

# W Series

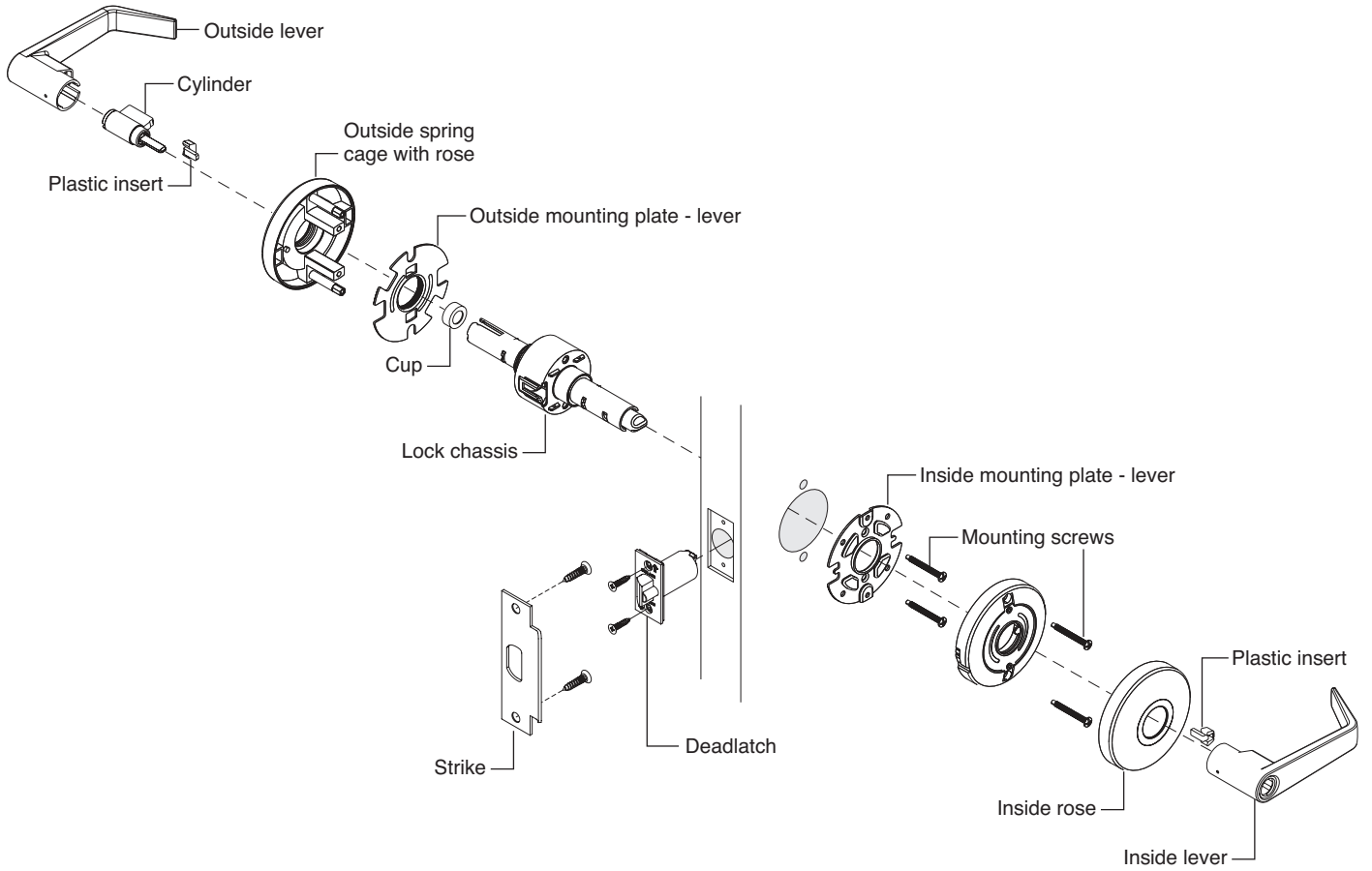
## GRADE 2 CYLINDRICAL LOCK

LOCKS

Grade 2

Cylindrical

W Series



Prices subject to change without notice

## ANSI A156.2, Series 4000 Grade 2

### Key-In-Lever Locks

FALCON ANSI & Function

**W101 F75**



#### Passage Latchset

Latch bolt by levers at all times.

**W161 F111**



#### Communicating/Exit Latch

Deadlocking latch bolt by inside lever. Non-removable blank plate outside.

**W201\* F77**



#### Patio Lock

Deadlocking latch bolt by levers. Outside lever is locked by push button from inside. Rotating inside lever or closing door releases button and unlocks outside lever.

**W301 F76**



#### Privacy Lock

Latch bolt by levers. Outside lever is locked by push button in inside lever. Rotating inside lever or closing door release push button and frees outside lever. Inside lever is always free. Emergency release in outside lever unlocks door.

**W501\* F82**



#### Entry Lock

Push Button Locking. Button on the inside locks outside lever until unlocked by key or by rotating inside lever. Inside lever always free. Deadlocking latch bolt.

**FUNCTION CHANGE NOTE: THIS LOCK WILL STAY LOCKED WHEN THE DOOR IS CLOSED. IF YOU WANT YOUR DOOR TO UNLOCK WHEN IT CLOSES, PLEASE PURCHASE THE 571 FUNCTION.**

**W511 F109**



#### Entry/Office Lock

Deadlocking latch bolt by levers. Turn/push button locking. Pushing and turning button locks outside lever, requiring use of a key for unlocking the door until button is manually unlocked. Pushing button locks outside lever until unlocked by key or by rotating inside lever. Inside lever is always free.

### Key-In-Lever Locks

FALCON ANSI & Function

**W561 F84**



#### Classroom Lock

Deadlocking latch bolt by levers. Outside lever is locked by key in outside lever. Inside lever is always free.

**W571\***



#### Corridor Lock

Deadlocking latch bolt. Push button locking only. Button on the inside locks outside lever until unlocked by key or by rotating inside lever. Closing the door releases button. Inside lever always free.

**NEW FUNCTION NOTE: THIS LOCK WILL UNLOCK WHEN THE DOOR IS CLOSED. IF YOU WANT YOUR DOOR TO REMAIN LOCKED WHEN IT CLOSES, PLEASE PURCHASE THE 501 FUNCTION.**

**W581 F86**



#### Storeroom Lock

Deadlocking latch bolt by lever inside or key outside. Outside lever is always locked. Inside lever is always free.

**W711\***



#### Apartment Entrance Lock

Deadlocking latch bolt by levers. Turn/push button locking. Pushing and turning button locks outside lever, requiring use of a key for unlocking the door until button is manually unlocked. Pushing button locks outside lever until unlocked by key, by rotating inside lever, or by closing door. Inside lever is always free.

**W12/W18\***



#### Dummy Trim

Single or double available. Single (W12) Double (W18)

\* Functions are not available for small rose option

Prices subject to change without notice

# W-Series - Knob Functions

LOCKS

## ANSI A156.2, Series 4000 Grade 2

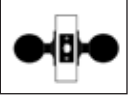
### Key-In-Knob Locks

FALCON ANSI & Function

W101 F75

#### Passage Latchset

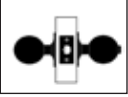
Latch bolt by knob at all times.



W301 F76

#### Privacy Lock

Latch bolt by knobs. Outside knob is locked by push button in inside lever. Rotating inside knob or closing door release push button and frees outside knob. Inside knob is always free. Emergency release in outside knob unlocks door.

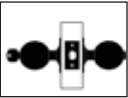


W501 F82

#### Entry Lock

Push Button Locking. Button on the inside locks outside knob until unlocked by key or by rotating inside knob. Inside knob always free. Deadlocking latch bolt.

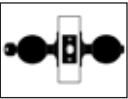
**FUNCTION CHANGE NOTE: THIS LOCK WILL STAY LOCKED WHEN THE DOOR IS CLOSED. IF YOU WANT YOUR DOOR TO UNLOCK WHEN IT CLOSES, PLEASE PURCHASE THE 571 FUNCTION.**



W511 F109

#### Entry/Office Lock

Deadlocking latch bolt by knobs. Turn/push button locking. Pushing and turning button locks outside knob, requiring use of a key for unlocking the door until button is manually unlocked. Pushing button locks outside knob until unlocked by key or by rotating inside lever. Inside knob is always free.



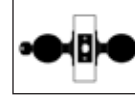
### Key-In-Knob Locks

FALCON ANSI & Function

W561 F84

#### Classroom Lock

Deadlocking latch bolt by knobs. Outside knob is locked by key in outside knob. Inside knob is always free.

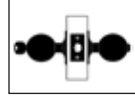


W571

#### Corridor Lock

Deadlocking latch bolt. Push Button Locking. Button on the inside locks outside knob until unlocked by key or by rotating inside knob. Closing the door releases button. Inside knob always free.

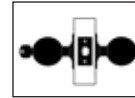
**NEW FUNCTION NOTE: THIS LOCK WILL UNLOCK WHEN THE DOOR IS CLOSED. IF YOU WANT YOUR DOOR TO REMAIN LOCKED WHEN IT CLOSES, PLEASE PURCHASE THE 501 FUNCTION.**



W581 F86

#### Storeroom Lock

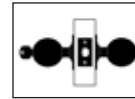
Deadlocking latch bolt by knob inside or key outside. Outside knob is always locked. Inside knob is always free.



W711

#### Apartment Entrance Lock

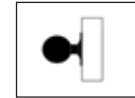
Deadlocking latch bolt by knobs. Turn/push button locking. Pushing and turning button locks outside knob, requiring use of a key for unlocking the door until button is manually unlocked. Pushing button locks outside knob until unlocked by key, by rotating inside knob, or by closing door. Inside knob is always free.



W12

#### Dummy Trim

Single Trim rigid knob.

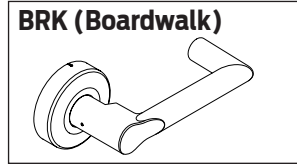
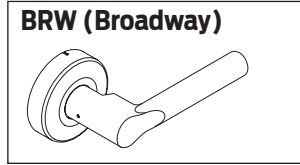
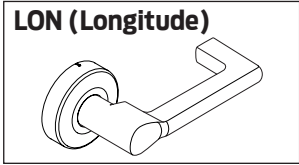
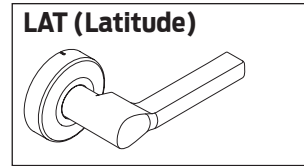
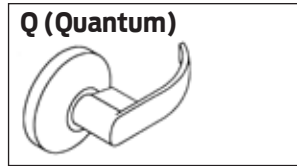
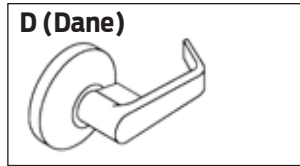
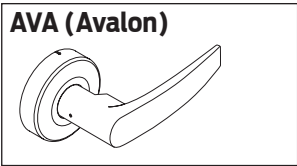


Grade 2

Cylindrical

W Series

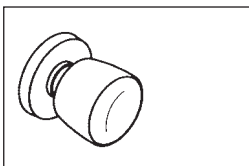
Prices subject to change without notice



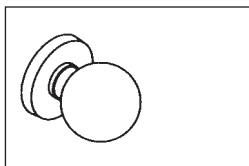
		Designs and Finishes											
		AVA	D	Q	LAT	LON	BRW	BRK	AVA	D	Q	LAT	LON
Function	Description	626	643E					605	606	613	619	622	625
<b>Single Cylinder Functions</b>													
W501PD	Entry												
W511PD	Entry/Office												
W561PD	Classroom												
W571PD	Dormitory/Corridor	\$134.00				\$146.00							
W581PD	Storeroom												
W711PD	Apartment Entry												
<b>Non-Keyed Functions</b>													
W101S	Passage	\$121.00				\$133.00							
W161D	Communicating/Exit												
W201D	Patio	122.00				134.00							
W301S	Privacy												
<b>Dummy Trim</b>													
W12	Half Dummy	\$72.00				\$78.00							
W18	Two Sided Dummy	142.00				154.00							

**Note: 1)** New Finishes (643E, 619, 622) & New Levers (AVA, LAT, LON, BRW, BRK) are not available on W18 function.

**ELI (Elite)**



**HAN (Hana)**



		Designs and Finishes							
		E H							
Function	Description	626				605	606	613	625
<b>Single Cylinder Functions</b>									
W511PD	Entry/Office								
W561PD	Classroom								
W571PD	Corridor	\$77.00				\$89.00			
W581PD	Storeroom								
W711PD	Apartment Entry								
<b>Non-Keyed Functions</b>									
W101S	Passage	\$64.00			\$76.00				
W301S	Privacy	65.00			77.00				
<b>Dummy Trim</b>									
W12	Half Dummy	\$47.00				\$53.00			

**Note: 2)** Not available with a small rose. Small rose option is for levers only.

Prices subject to change without notice

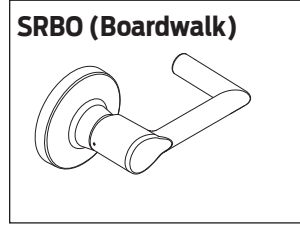
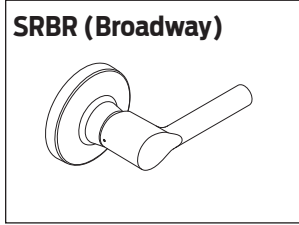
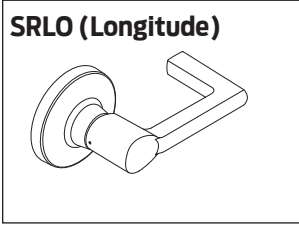
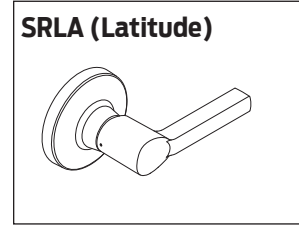
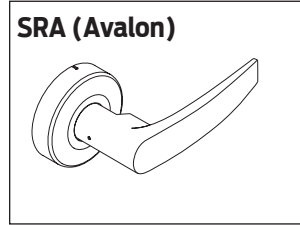
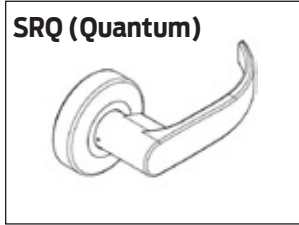
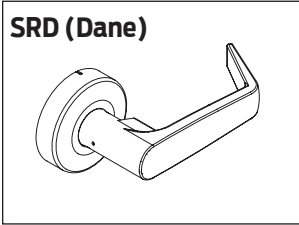
# W-Series Small Rose • Levers Complete Locks

LOCKS

Grade 2

Cylindrical

W Series



Small Rose 2-9/16" (65mm)					
		Designs and Finishes			
		SRA, SRD, SRQ, SRLA, SRLO, SRBR, SRBO			
Function	Description	626	643E	605	613 619 622 625
<b>Single Cylinder Functions</b>					
W511	Entry/Office				
W561	Classroom		\$160.00		\$172.00
W581	Storeroom				
<b>Non-Keyed Functions</b>					
W101	Passage		\$131.00		\$143.00
W161	Communicating/Exit				
W301	Privacy		134.00		146.00
<b>Dummy Trim</b>					
W12	Single Dummy		\$76.00		\$82.00

## How to Order the Small Rose Option

Small Rose 2-9/16" (65mm)			
Function	Cylinder	Trim	Finish
W511	PD	SRD	626

Prices subject to change without notice



Conventional Cylinder Options - both small and regular rose sizes		
Description	Specify	Add to Lock Price (per core)
5 pinned cylinder	P Suffix Example: W581P	STD
6 pinned cylinder	P6 Suffix Example: W581P6	N/C
6 pinned Competitor keyway cylinders*	P6 Suffix Example: W581P6 (0 Bitted, KD, KA4 only)	\$7.60

\* Competitor keyways are furnished 0 bitted.  
Not available Master keyed. KD option is not available for locks containing 2 cylinders.

- Notes:**
- 1) Finishes: 606, 622, & 626 only.
  - 2) Specify keyway.
  - 3) Cylinders are furnished G keyway, keyed differently unless otherwise specified.
  - 4) Restricted sections add \$12.30 to list price. See page 4 for list of standard keyways. All other keyways are considered restricted. Contact 877-671-7011 for availability.
  - 5) 622 Finish is available only on Allegion cylinders (P, P6, & P7) in C & G Keyways.

W-Series Complete Conventional Cylinders		
Cylinder Mechanism	Part Number For All Other Functions	Price Each
6 Pin Falcon keyway cylinder	Q330-154	\$63.00
6 Pin Schlage C keyway cylinder	Q330-152	
For other cylinders, see pages 132-136.		

- Notes:**
- 6) Finishes for Falcon keyway cylinders are 606, 622, & 626 only.
  - 7) Falcon cylinders are furnished G keyway unless otherwise specified.
  - 8) Restricted sections see page 131. See Restricted Keyway Policy for standard keyway and policy on use of restricted keyway cylinders. Contact 877-671-7011 for availability.

Small Format Interchangeable Core and Small Format Construction Core		
Description	Specify	Add to Lock Price (per core)
Small format core (BEST Style) *	BB6/7 Suffix Example: B581BB6	\$50.00
Small format core (Falcon Style) *	G6/7 Suffix Example: B581G6	
Small format construction core **	H Suffix Example: W581HD	50.00
Less Small format core	B Suffix Example: W581BD	N/C
Small format disposable core	BDC Suffix Example: W581BDC	N/C

\* Keying must be specified  
\*\* Locks are assessed one non-refundable handling charge (50-231F) per core.

- Note:**
- 9) Control keys are not furnished with locks and must be ordered separately. See page 141 for details.
  - 10) 622 Finish is available only on SFIC (G) in C & G Keyways.

Prices subject to change without notice

# W-Series - Latch & Strike Options

LOCKS

## Latches with Locks

Backset	Description	Specify			Add to Lock Price
		Springlatch 101, 301	Deadlatch 161, 501, 511, 561, 581	Restoring Deadlatch 201, 511**, 571, 711	
2-3/8"*	Square corner, 1-1/8" x 2-1/4"	30-209	30-203	30-200	N/C
	Square corner, 1" x 2-1/4"	30-207	30-201	30-198	
	Radius corner, 1" x 2-1/4"	30-208	30-202	30-199	
2-3/4"	Square corner, 1-1/8" x 2-1/4"	30-206	30-197	30-194	
	Square corner, 1" x 2-1/4"	30-204	30-195	30-192	
	Radius corner, 1" x 2-1/4"	30-205	30-196	30-193	

\* 2-3/8" backset is furnished as a 1" faceplate standard.

\*\* W511 Standard offering is the Deadlatch 30-197, however if a Restoring Deadlatch is needed it will have to be ordered 30-194

Grade 2

## Strikes with Locks

Description	Lip Length	Specify	Add to Lock Price
ANSI, 1-1/4" x 4-7/8" standard	1-3/8"	30-148	N/C
Square Corner, T-Strike 1-1/8" x 2-3/4"	1-3/8"	30-149	
Radius Corner, Full Lip Strike 1-5/8" x 2-1/4"	1"	30-150	
Square Corner, Full Lip Strike 1-5/8" x 2-1/4"	1"	30-151	

Cylindrical

W Series

## Latches as Parts Finishes: 605, 606, 613, 619, 622, 625, 626, 643E

Backset	Description	Specify			List Price
		Springlatch 101, 301	Deadlatch 161, 501, 511, 561, 581	Restoring Deadlatch 201, 511, 571, 711	
2-3/8"	Square corner, 1-1/8" x 2-1/4"	Q330-209	Q330-203	Q330-200	\$12.40
	Square corner, 1" x 2-1/4"	Q330-207	Q330-201	Q330-198	
	Radius corner, 1" x 2-1/4"	Q330-208	Q330-202	Q330-199	
2-3/4"	Square corner, 1-1/8" x 2-1/4"	Q330-206	Q330-197	Q330-194	
	Square corner, 1" x 2-1/4"	Q330-204	Q330-195	Q330-192	
	Radius corner, 1" x 2-1/4"	Q330-205	Q330-196	Q330-193	

## Strikes as Parts Finishes: 605, 606, 613, 619, 622, 625, 626, 643E

Description	Lip Length	Specify	List Price
ANSI, 1-1/4" x 4-7/8" standard	1-3/8"	Q330-148	\$12.40
Square Corner, T-strike, 1-1/8" x 2-3/4"	1-3/8"	Q330-149	
Radius Corner, Full Lip Strike 1-5/8" x 2-1/4"	1"	Q330-150	
Square Corner, Full Lip Strike 1-5/8" x 2-1/4"	1"	Q330-151	

**Note:** 1) Specify finish when ordering.

Shaded items are standard components and are furnished with locks unless otherwise specified.

Prices subject to change without notice

Locks Less Components		
Description	Specify	Deduct from Lock Price
Less standard (conventional) cylinder	L Suffix Example: W581LD DAN	\$8.30
Less latch	LLL Suffix Example: W581PD6 DAN 626 LLL 30-148	7.60
Less strike	LLL Suffix Example: W581GD7 DAN 626 30-206 LLL	7.60

Tactile Warning		
Description	Specify	Per Lever Lock Price
Abrasive Strip*	Preface the design code with 6 Example: W581PD6 6DA (for Dane) For small rose: preface the design code with 6S Example for Small Rose: W501PD 6SD (for Dane) 6SQ (for Quantum)	\$63.10

\* Not available in 613 or on Avalon, Latitude, Longitude, Broadway and Boardwalk

Screws			
Part Number	Description	Finishes	List Price
Q005-085	Screw Pack — Knobs	605, 606, 613, 625, 626	\$7.10
Q330-170	Screw Pack	605, 606, 613, 625, 626	7.10
Q330-182	Screw Pack — Dummy Trim	—	5.00
Q330-179	Screw Pack — Small Rose	605, 606, 613, 625, 626	7.10

Miscellaneous Parts		
Part Number	Description	List Price
Q330-164	Conventional Cylinder tailpiece for all keyed functions	\$5.00
Q330-168	SFIC Tailpiece (throw member for levers)	
Q330-169	SFIC Tailpiece (throw member for knobs)	
Q330-282	Inside Spring Cage Kit	12.00
Q330-448	Inside Spring Cage Kit, Small Rose	13.60
Q330-447	Outside Spring Cage Kit, Small Rose	13.60
Q033-026	Cylinder Lever Insert	0.32

Prices subject to change without notice

LOCKS

Grade 2

Cylindrical

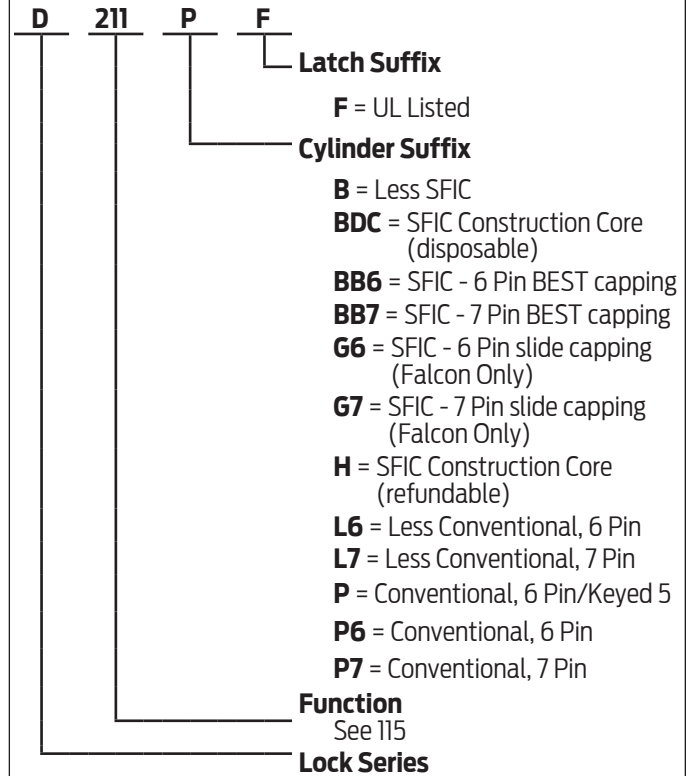
W Series

Prices subject to change without notice

### Table of Contents

<b>Funcion Chart</b>	<b>111</b>
<b>Complete Lock Pricing</b>	<b>112</b>
<b>Options</b>	
Deadbolts .....	113
Strikes .....	113
Small Format Interchangeable Cores.....	114
Small Small Construction Cores .....	114
Lock Less Components.....	115
Conventional Cylinder Options.....	115
<b>Parts</b>	
Trim.....	116
Deadbolts .....	116
Keys.....	116
Strikes .....	117
Adapters.....	117
Screws.....	118
Screw Packs .....	119

### Product Identification



SFIC = Small Format (Best® Style) Interchangeable Core

### Finish Codes and Descriptions

Code		Description
605	(US3)	Bright Brass
606	(US4)	Satin Brass
613	(US10B)	Oil Rubbed Bronze
619	(US15)	Satin Nickel
622	(US19)	Matte Black
643e	(US11)	Aged Bronze
625	(US26)	Bright Chrome
626	(US26D)	Satin Chrome

### Standard Features - Furnished unless otherwise specified



Certification	BHMA - ANSI A156.5, 2001, Grade 2 (except D261M) auxiliary lock, Available UL Listed for 3-Hour fire door
Deadbolt	1-1/8" x 2-1/4", Square corner faceplate, 1" housing diameter, 1" throw
Strike	1-1/8" x 2-3/4", lipless, with box
Cylinder	6-Pin, Solid brass, Keyed 5-Pin, Falcon G keyway, Keyed different (KD)
Door Range	1-3/8" - 2-1/4" standard cylinder or thumbturn only; 1-5/8" - 2" interchangeable core cylinder
Keys	Two, Nickel silver cut keys per lock, Falcon G keyway
Reinforcement	Metal dust box reinforcer with three - 3" screws
Trim Ring	1" Wrought brass or bronze, reinforced with security insert
Backset	2-3/8" and 2-3/4" adjustable



Prices subject to change without notice

# D200 Series

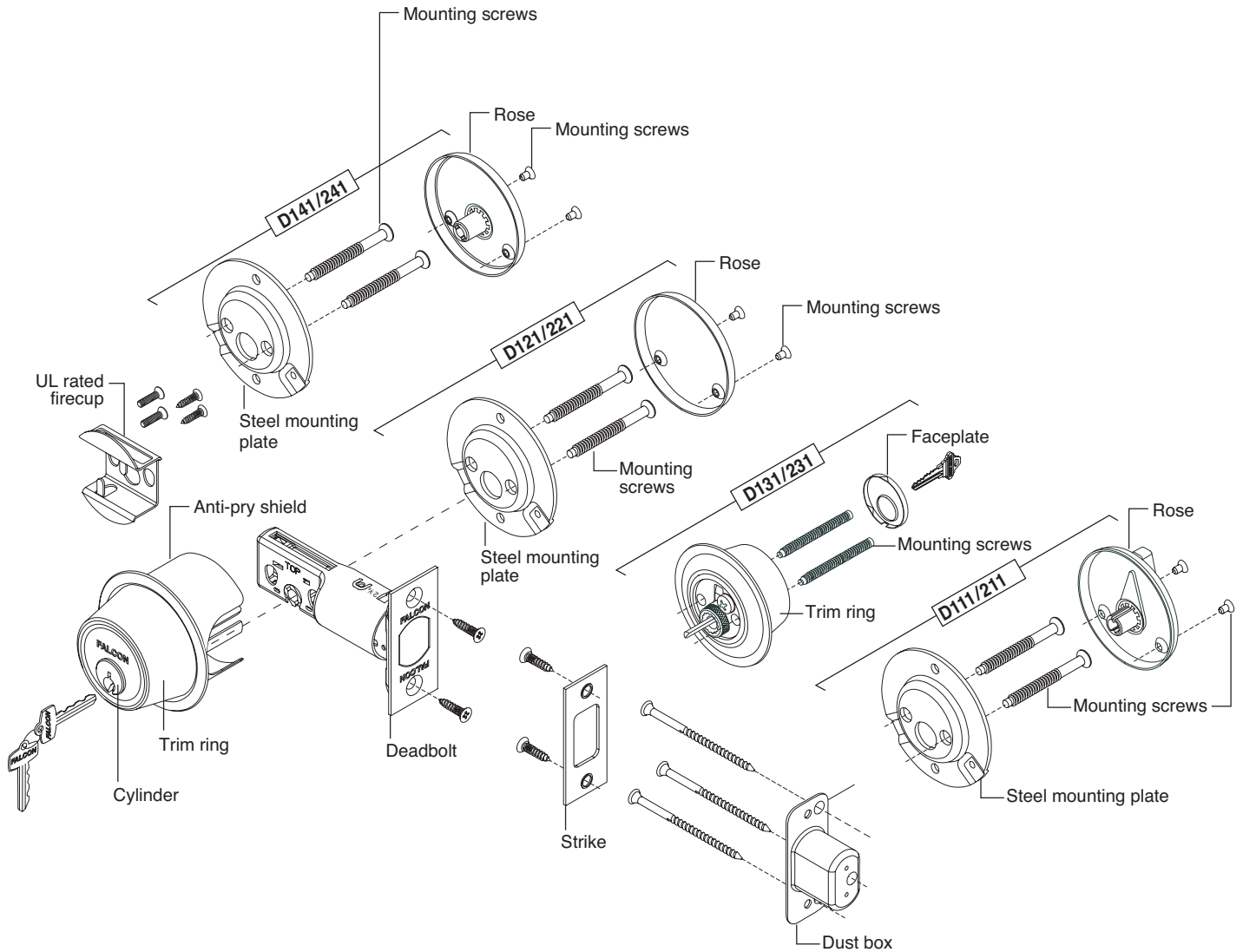
## GRADE 2 DEADBOLT

LOCKS

Grade 2

Deadbolt

D200 Series



Prices subject to change without notice

**BHMA / ANSI A156.5, 2001, Grade 2  
Bored Deadbolt Locks**

FALCON ANSI

**D211P E0172**

**Classroom Function**

Deadbolt thrown or retracted by key from outside. Inside turn will only retract bolt. Bolt automatically deadlocks when fully thrown.



**D221P E0162**

**Single Cylinder x Rose**

Deadbolt thrown or retracted by key only. Blank plate inside. Bolt automatically deadlocks when fully thrown.



**D231P E0142**

**Double Cylinder\***

Deadbolt thrown or retracted by key from either side. Bolt automatically deadlocks when fully thrown.



**D241P E0152**

**Single Cylinder x Turn**

Deadbolt thrown or retracted by key or by turn. Bolt automatically deadlocks when fully thrown.



**D251**

**Thumbturn x Thumbturn**

Deadbolt thrown or retracted by turn unit from either side. Application for storm shelters. Bolt automatically deadlocks when fully thrown.



**D261 E0192**

**Thumbturn, Inside Only**

Deadbolt thrown or retracted by turn unit only. No outside trim. Bolt automatically deadlocks when fully thrown.



**D261M E01112**

**Thumbturn, Inside x Rose**

Deadbolt thrown or retracted by turn unit only. Outside blank rose. Bolt automatically deadlocks when fully thrown.



**D271**

**Thumbturn x Occupancy Indicator**

Deadbolt thrown or retracted by turn unit only. Occupancy indicator on outside (reads either in use or vacant with color coding). Bolt automatically deadlocks when fully thrown.

**Note:** This function is not UL Listed.



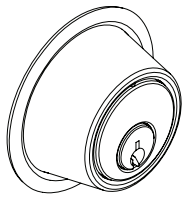
\* **Caution:** Double cylinder locks on residences and any door, in any structure, which is used for egress are a life safety hazard in times of emergency and their use is not recommended. Installation should be in accordance with existing codes only.

Prices subject to change without notice

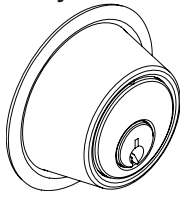
# D200-Series - Complete Locks

LOCKS

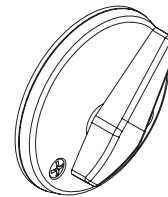
Outside Cylinder Trim



Inside Cylinder Trim



Rose and Turn



## D-200 Series

Function	Description	Designs and Finishes							
		626	643e	605	606	613	619	622	625
<b>Keyless</b>									
D251	Turn x Turn								
D261	Turn, Inside Only		\$65.00					\$71.00	
D261M	Turn, Inside x Rose								
D271	Turn, Inside x Occupancy Indicator		66.00					72.00	
<b>Single Cylinder Functions</b>									
D211P	Classroom Function		\$87.00					\$93.00	
D221P	Single Cylinder x Rose								
D241P	Single Cylinder x Turn		84.00					90.00	
<b>Double Cylinder Functions</b>									
<b>CAUTION:</b> Double cylinder locks on residences and any door in any structure which is used for egress are a life safety hazard in times of emergency and their use is not recommended. Installation should be in accordance with existing codes only.									
D231P	Double Cylinder		\$110.00					\$116.00	

- Notes:**
- 1) Split finishes are priced at the highest finish price.
  - 2) D271 Occupancy Indicator deadbolt is shipped with emergency key (61-509) and instructions.
  - 3) 'F' Suffix must be added for UL product

Grade 2

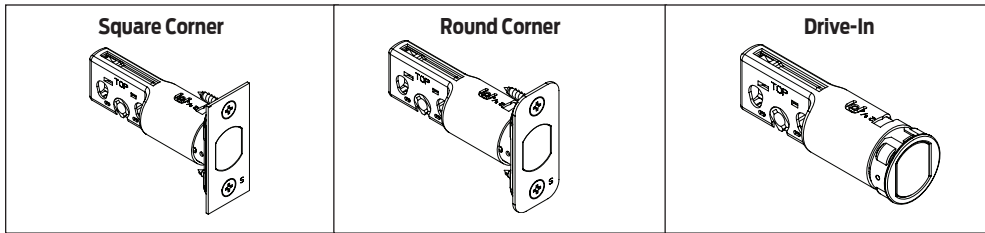
Deadbolt

D200 Series

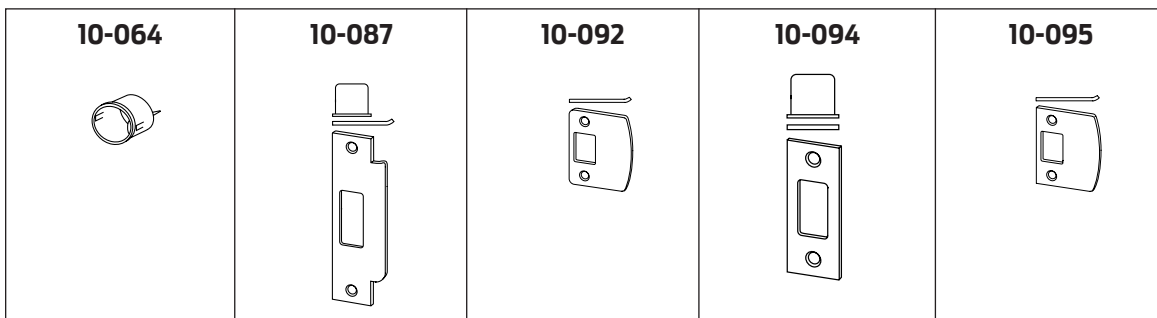
Prices subject to change without notice



# Bolt & Strike Options - D200 Series



Deadbolts with Locks				
Backset	Description	HSG Dia	Specify	Add to Lock Price
2-3/8" or 2-3/4"	Square corner, 1-1/8" x 2-1/4", standard	1"	30-253	N/C
	Square corner, 1" x 2-1/4"		30-175	
	1/4" Radius round corner, 1" x 2-1/4"		30-177	
	Circular, Drive-In bolt, 626 only		30-254	
For UL Listed Locks				
2-3/8" or 2-3/4" UL	Square corner, 1-1/8" x 2-1/4", standard	1"	30-173	N/C
	Square corner, 1" x 2-1/4"		30-171	
	Circular, Drive-In bolt, 626 only		30-258	

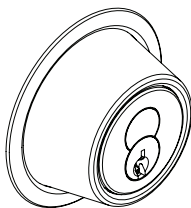


Strikes with Locks			
Description	Lip Length	Specify	Add to Lock Price
Drive-In thimble strike, 1-3/16" dia.	1"	10-064	N/C
ANSI, 1-1/4" x 4-7/8", with box	1-1/8"	10-087	\$7.10
Full Lip, 1/4" radius corner, 1-5/8" x 2-1/4", no box	1-5/16"	10-092	N/C
Square Corner with metal dust box, 1-1/8" x 2-3/4", standard	-	10-094	
Full Lip, square corner, 1-5/8" x 2-1/4", no box		10-095	
ANSI Dust Box 1" Deep, Steel		005099-000-30	
Strike Reinforcer, used with 10-094		37-016	

Shaded items are standard components and are furnished with locks unless otherwise specified.

Prices subject to change without notice

**Small Format Interchangeable Core**



**Small Format Interchangeable Core and Small Format Construction Core**

Description	Specify	Add to Lock Price (per core)
Small format core (BEST Style) *	BB6/7 Suffix Example: D211BB6	\$50.00
Small format core (Falcon Style) *	G6/7 Suffix Example: D211G6	
Small format construction core **	H Suffix Example: D211HD	50.00
Less Small format core	B Suffix Example: D211BD	N/C
Small format disposable core	BDC Suffix Example: D211BDC	N/C

\* Keying must be specified

\*\* Locks are assessed one non-refundable handling charge (50-231F) per core.

**Notes:** 1) Split finishes are priced at the highest finish price.

2) Key section must be specified and applicable charges for restricted sections will be applied. See page 131

3) Control keys are not furnished with locks and must be ordered separately. See page 141 for details.

4) Adapter kit 36-071 required for interchangeable core cylinders on 1-3/8" doors.

Prices subject to change without notice

Lock Less Components		
Description	Specify	Deduct from Lock Price
Less deadbolt	LLL for latch Example: D211P 605 30-171 LLL	\$11.20
Less strike	LLL for strike Example: D211L	3.70
Less conventional cylinder	L suffix Example: D211L	21.20
Less conventional cylinder D231	L suffix Example: D231L	42.40

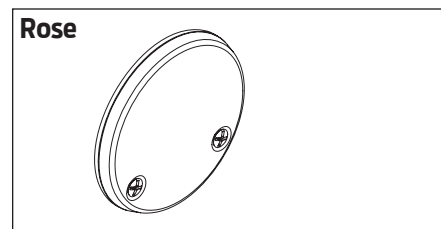
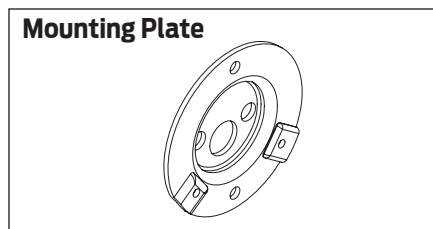
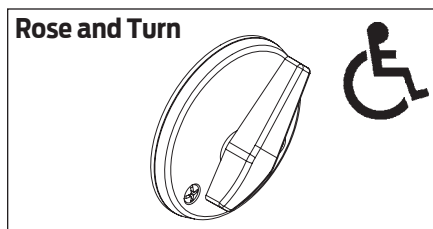
Conventional Cylinder Options		
Description	Specify	Add to Lock Price (per core)
5 pinned cylinder	P Suffix Example: D211P	STD
6 pinned cylinder	P6 Suffix Example: D211P6	N/C
7 pinned cylinder (Not available on D231)	P7 Suffix Example: D211P7	13.50
6 pinned Competitor keyway cylinders*	P6 Suffix Example: D211P6 (0 Bitted, KD, KA4 only)	7.60

\* Specify specific competitor keyway on order. Competitor keyways are furnished 0 bitted, unless otherwise specified. Not available Master keyed. KD option is not available for locks containing 2 cylinders.

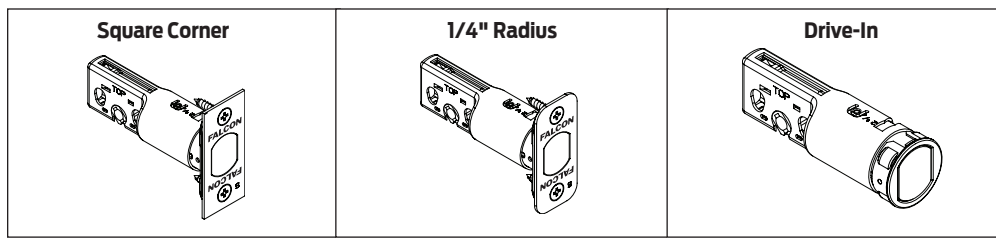
D200-Series Complete Conventional Cylinders		
Cylinder Mechanism	Part Number	Price Each
5 Pin Cylinder - D211, D241	Q500-067	\$63.00
5 Pin Cylinder - D221	Q500-069	
5 Pin Cylinder - D231	Q500-072	
6 Pin Cylinder - D211, D241	Q500-010	
6 Pin Cylinder - D221	Q500-056	
6 Pin Cylinder - D231	Q500-012	
7 Pin Cylinder - D211, D241	Q500-014	78.00
7 Pin Cylinder - D221	Q500-057	

- Notes:**
- 1) Finishes: 606 and 626 only
  - 2) Specify keyway
  - 3) Cylinders are furnished G keyway, keyed differently unless otherwise specified.
  - 4) Restricted sections add \$12.30 to list price. See page 4 for list of standard keyways. All other keyways are considered restricted. Contact 877-671-7011 for availability.

Prices subject to change without notice



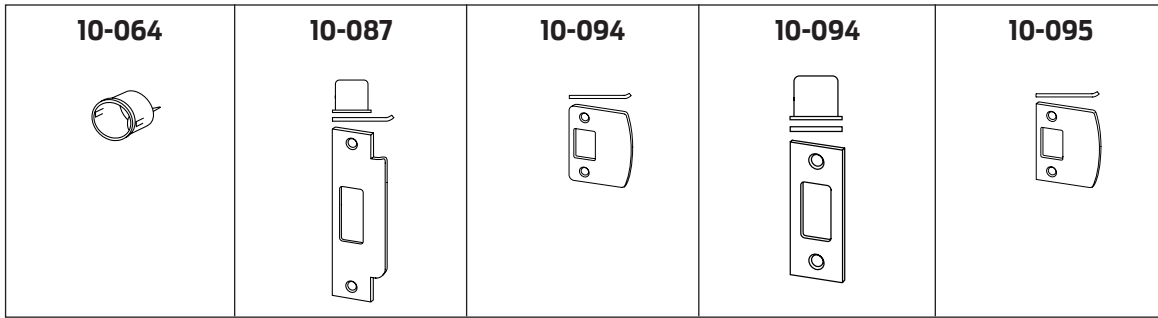
Trim			
Part Number	Specify Finish	Description	Price Each
B302-041	.	Rose and Turn	\$52.40
B302-045	.	Rose and Turn (D211)	52.40
12-626	.	Blank Rose (D221)	29.90
B600-018	.	Mounting plate for rose and rose & turn	12.10



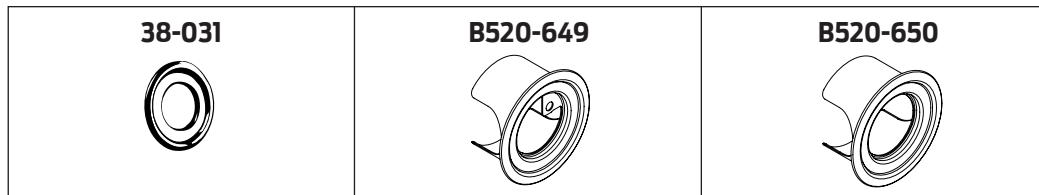
Deadbolts				
Part Number	Specify Finish	Housing Diameter	Description	Price Each
Q330-253	.	2-3/8" or 2- 3/4" Universal	Square corner, 1-1/8" x 2-1/4" faceplate	\$19.00
Q330-175	.		Square corner, 1" x 2-1/4" faceplate	
Q330-177	.		1/4" radius corner, 1" x 2-1/4" faceplate	
Q330-254	626		1" circular drive-in, 626 only	

Keys - Emergency For Occupancy Indicator		
Part Number	Description	Price Each
61-509	Emergency Release Key – Standard Size for Occupancy Indicator	\$13.10
61-510	Emergency Release Key – Large Size for Occupancy Indicator	24.70

Prices subject to change without notice



Strikes				
Part Number	Specify Finish	Description	Lip Length	Price Each
10-064	.	Drive-In, thimble strike, 1-3/16" deep	-	\$19.70
10-087	.	ANSI, 1-1/4" x 4-7/8, with box	1-1/8"	27.00
10-094	.	Square corner with metal dust box, 1-1/8" x 2-3/4"	-	14.00
10-092	.	Full lip, 1/4" radius corner, 1-5/8" x 2-1/4", no box	1-5/16"	9.00
10-095	.	Full lip, square corner, 1-5/8" x 2-1/4", no box		
J250-028		2" strike mounting screws		2.50
5075	.	Security Strike	-	10.80



Adapters			
Part Number	Specify Finish	Description	Price Each (per finish)
			605 606 613 625 626
38-031	.	2-1/2" diameter adapter ring for 2-1/8" door prep, for under cylinder	\$22.50
B520-649	.	Trim ring w/shield for D131/D141	27.80
B520-650	.	Trim ring w/shield for IC functions	27.80
36-071	.	1-3/8" IC Core thin door shim kit, contains 36-066 & 36-068	17.20

Prices subject to change without notice

LOCKS

Grade 2

Deadbolt

D200 Series

Screws						
Part Number	Specify Finish	Description		Application		Price Each (Order in multiples of 100)
		Size	Type	Use	Door Thickness	
<b>Keyed, Single Conventional Cylinder</b>						
B600-100		1/4"-28 x 1-15/16"	POH mach.	Mounting	1-3/8" - 1-3/4"	\$2.90
B600-101		1/4"-28 x 2.425"	POH mach.	Mounting	over 1-3/4"	
B600-066	.	6-32 x 1/4"	PH mach.	Turn	-	
B520-298		10-32 x 3/8"	PH mach.	Anti-pry shield	-	0.88
<b>Keyed, Single SFIC Cylinder</b>						
B600-100		1/4"-28 x 1-15/16"	POH mach.	Mounting	1-3/8" - 2-1/4"	2.90
B600-066	.	6-32 x 1/4"	PH mach.	Turn	-	
<b>Keyed, Double Conventional Cylinder</b>						
B600-047		1/4"-28 x 3-13/16"	PH mach.	Mounting	1-3/8" - 1-3/4"	2.90
B600-078		1/4"-28 x 3-29/64"	PH mach.	Mounting	over 1-3/4"	
B520-298		10-32 x 3/8"	PH mach.	Anti-pry shield	-	0.88
<b>Keyed, Double SFIC Cylinder</b>						
B600-053		1/4"-28 x 3-61/64"	PH mach.	Mounting	1-3/4" - 2-1/4"	2.90
B520-298		10-32 x 3/8"	PH mach.	Anti-pry shield	-	0.88
<b>All Functions</b>						
C603-897	.	#8 x 3/4"	PFH combo	Deadbolt & strike	-	1.00
J250-028		#8 x 2"	PFH wood	2" strike screw	-	2.50
R525-256		#12 x 3"	PFH wood	3" metal dust box	-	

Prices subject to change without notice

<b>Screw Packs</b>				
<b>Part Number</b>	<b>Specify Finish</b>	<b>Door Thickness</b>	<b>Contents</b>	<b>Price Each</b>
<b>Keyed, Single Conventional Cylinder</b>				
61-506	.	1 3/8" - 2 1/4"	(2) B600-048 (2) F605-359 (4) C603-897 (1) B600-018 (2) B600-066	\$21.00
<b>Keyless, D261M, D271</b>				
61-504	.	1-3/8" - 1-3/4"	(2) B520-662 (4) C603-897 (2) B600-066 (4) B600-018	27.30
61-505	.	1-3/4" - 2-1/4"	(2) B520-663 (4) C603-897 (2) B600-066 (4) B600-018	27.30
<b>Keyed, Single Conventional Cylinder</b>				
61-500	.	1 3/8" - 1 3/4"	(1) B600-018 (2) B600-100 (2) B600-066 (4) C603-897	17.20
61-501	.	over 1 3/4" - 2 1/4"	(1) B600-018 (2) B600-101 (2) B600-066 (4) C603-897	17.20
<b>Keyed, Single SFIC Cylinder</b>				
61-500	.	1 3/8" - 2"	(1) B600-018 (2) B600-100 (2) B600-066 (4) C603-897	17.20
<b>Keyed, Double Conventional Cylinder</b>				
61-502	.	1 3/8" - 1 3/4"	(2) B600-047 (4) C603-897	13.20
61-503	.	over 1 3/4" - 2 1/4"	(2) B600-078 (4) C603-897	13.20
<b>Keyed, Double SFIC Cylinder</b>				
61-507	.	1 3/8" - 2"	(2) B600-053 (4) C603-897	\$13.20

Prices subject to change without notice

LOCKS

Grade 2

Deadbolt

D200 Series

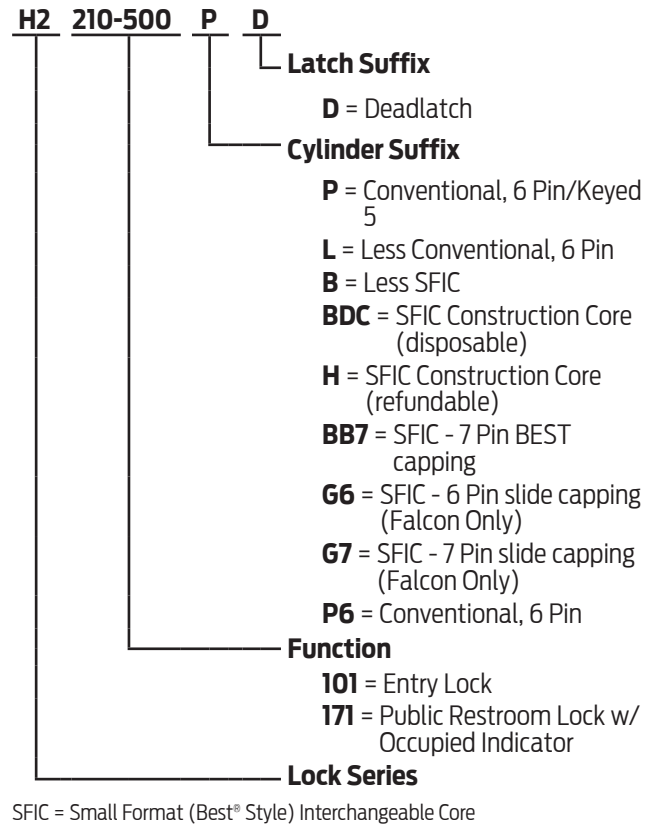
Prices subject to change without notice



**Table of Contents**

<b>Functions</b>	<b>123</b>
<b>Complete Locks</b>	<b>124</b>
<b>Options</b>	
Deadbolts/Deadlatches .....	127
Deadbolt Strikes .....	127
Strike Combinations .....	127
Lock Less Components .....	127
<b>Parts</b>	
Deadbolts .....	128
Deadlatches .....	128
Deadbolt/Deadlatch Combinations .....	128
Deadbolt Strikes .....	128
Deadlatch Strikes .....	128
Deadbolt/Deadlatch Strike Combinations .....	128
Screw/Screw Packs .....	129
<b>Complete Cylinders</b>	<b>See Cylinders Section</b>
<b>How to Order</b>	<b>Forms &amp; Examples</b>

**Product Identification**



**Finish Codes and Descriptions**

Code		Description
605	(US 3)	Bright Brass
619	(US 15)	Satin Nickel
625	(US 26)	Bright Chromium Plated
626	(US 26D)	Satin Chromium Plated
643e	(US 11)	Aged Bronze
622		Matte Black

**Standard Features**



- Certification: ANSI/BHMA Certified A156.12-2013, Grade 2, UL listed for 3-hour fire door  
With SFIC interchangeable core cylinders: Grade 3 Security
- Deadbolt: 1 X 2-1/4", dual option faceplate, (square corner standard, round corner included in package), 1" housing diameter, 1" throw
- Latch: 1" x 2-1/4" dual option faceplate (square corner standard, round corner included in package). 1" edge bore required
- Strikes: 1-1/8" X 2-3/4", Square corner (deadbolt) and 1-5/8" X 2-1/4", Square corner, T-strike, box, 1 1/8" x 2 3/4" (Deadlatch)
- Backset: Adjustable backset, fits 2-3/8" or 2-3/4"
- Cylinders: 6-pin, solid brass, keyed 6-pin, G keyway, keyed different (KD)
- Door Range: 1-3/4" to 2" standard (1-3/8" available, must be specified)
- Keys: Nickel silver cut keys, 6-pin, G keyway
- Center to Center: Fits 4" or 5 1/2" (factory default) center to center door preps

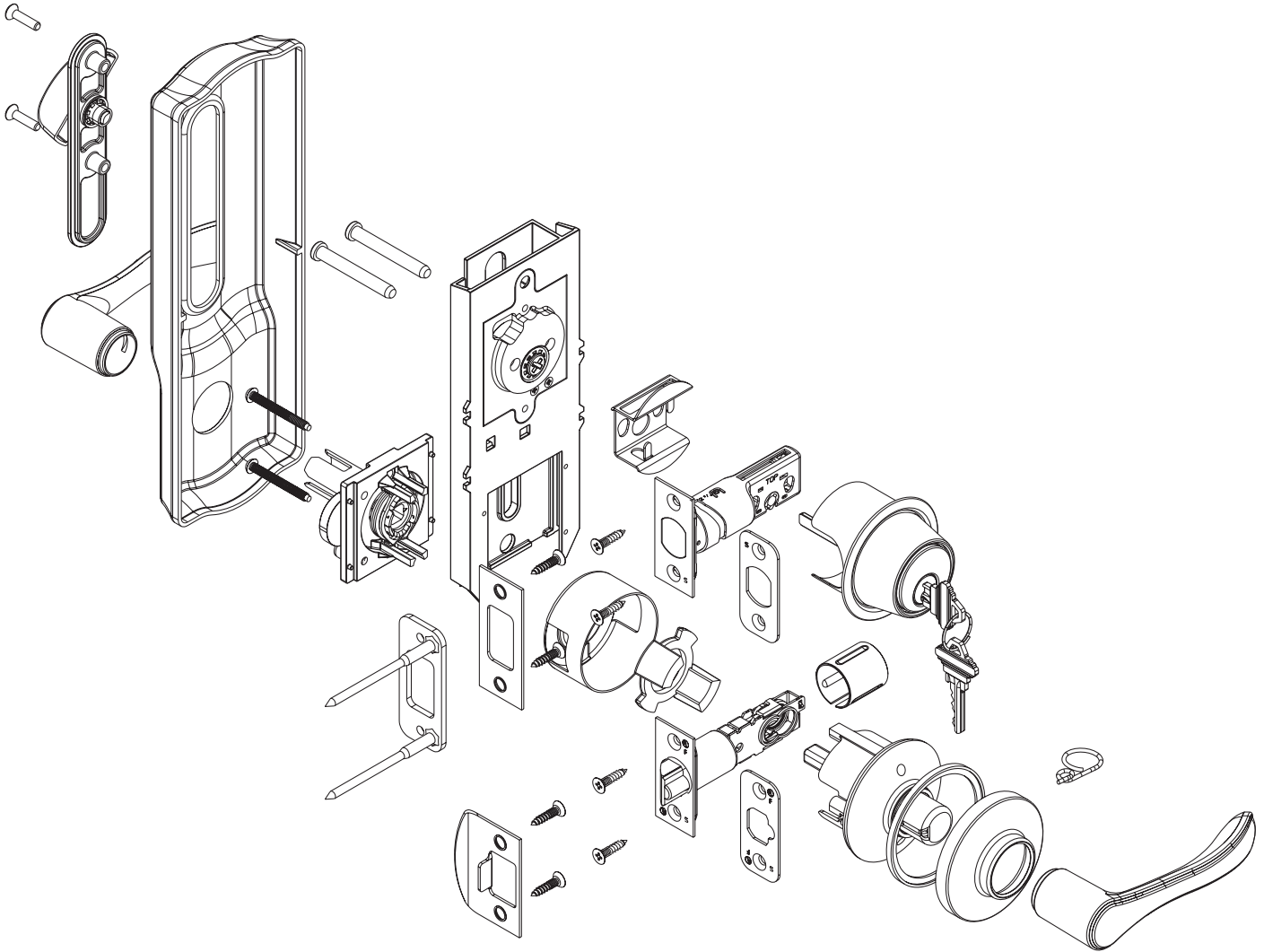
Prices subject to change without notice

# H2 Series

## GRADE 2 INTERCONNECT LOCK

LOCKS

Interconnected



Prices subject to change without notice

**ANSI/BHMA Certified A156.12-2013, Grade 2, UL Listed for 3-hour fire door.**

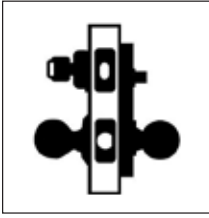
FALCON ANSI

FALCON ANSI

**H2101 F95**

**Entrance Lock**

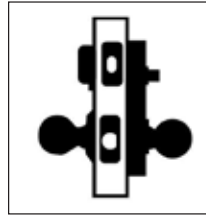
Deadbolt operated by key from outside or by turn unit from inside. Bolt automatically deadlocks when fully thrown. Latch retracted by lever from either side. Turning inside lever retracts deadbolt and latch simultaneously for immediate exit.



**H2171**

**Public Restroom Lock with Occupancy Indicator**

Latchbolt retracted by lever from either side. Deadbolt thrown or retracted by turn inside or retracted by emergency key outside. Rotating turn from inside extends deadbolt and changes visual message on outside from vacant to occupied. Inside lever simultaneously retracts deadbolt and latch.



Prices subject to change without notice

# H2-Series • Complete Locks

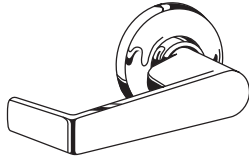
LOCKS

Interconnected

**Avalon (AVA)**



**Dane (DAN)**

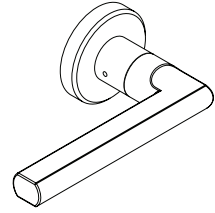


**Flair (FLA)**



Specify hand

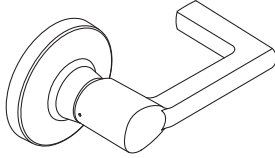
**Latitude (LAT)**



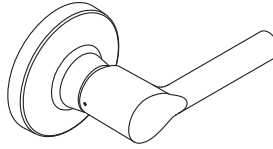
**Quantum (QUA)**



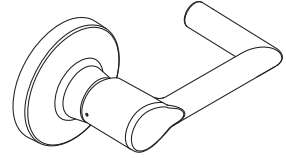
**Longitude (LON)**



**Broadway (BRW)**



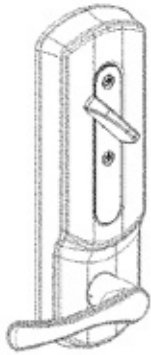
**Boardwalk (BRK)**



Prices subject to change without notice

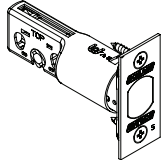
**Escutcheons**

Plymouth (PLY)

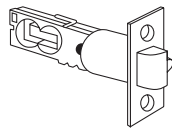


**Latches**

Q330-041



Q100-101

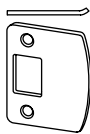


**Strikes, Deadbolts**

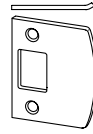
10-094  
Standard



10-092



10-095

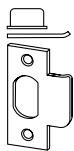


10-116

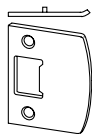


**Strikes, Deadlatches**

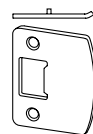
10-001



10-026  
Standard



10-027



Prices subject to change without notice

# H2-Series • Complete Locks

LOCKS

Interconnected

Function	Description	Design and Finishes					
		AVL DAN FLA LAT QUA LON BRW BRK					
		626	643E	605*	619	622	625
H2101	Entrance Lock - Deadbolt Single Cylinder	\$342.00		\$354.00			
H2171	Public Restroom with Occupancy Indicator - No Cylinder (Interior Locking Only)	452.00		464.00			

Specify both outside and inside designs if split.

\*605 finish not available for LON and BRK lever designs.

Prices subject to change without notice

Deadbolts/Deadlatches				
Combo Part Number	Deadbolt	Deadlatch	Backset - Hsg Dia. - Description	Lock Adjustment
Q100-100	Q330-041	Q100-101	2 3/8" or 2 3/4" - 1" - Dual Option, 1" x 2 1/4", standard (square corner standard, round corner included in the package)	N/C

Deadbolt Strikes			
Part Number	Lip Length - Description		Lock Adjustment
10-094	N/A - Square corner, 1 1/8" x 2 3/4"		N/C
10-092	1 1/8" - 1/4" Radius round corner, full lip, no box, 1 5/8" x 2 1/4"		
10-095	1 1/8" - 1/4" Square corner, full lip, no box, 1 5/8" x 2 1/4"		
10-116	N/A - Round corner strike, no lip, 1 1/8" X 2 3/4"		

Deadlatch Strikes			
Part Number	Lip Length - Description		Lock Adjustment
10-001	1 1/8" - Square corner, T-strike, box, 1 1/8" x 2 3/4"		N/C
10-026	1 1/8" - Square corner, full lip, no box, 1 5/8" x 2 1/4"		
10-027	1 1/8" - 1/4" Radius round corner, full lip, no box, 1 5/8" x 2 1/4"		

Strike Combinations			
Deadbolt Strike	Deadlatch Strike	Specify Combo Number	Add to Lock Price
10-094	10-001	10-109	N/C
10-094	10-026	10-121	
10-116	10-027	10-122	
10-092	10-027	10-123	
10-095	10-026	10-124	

Conventional Cylinder Options		
Description	Specify	Add to Lock Price (per core)
5 pinned cylinder	P Suffix Example: H2101P	STD
6 pinned cylinder	P6 Suffix Example: H2101P6	
6 pinned Competitor keyway cylinders* available on H101, H511 only	P6 Suffix Example: H2101P6 (0 Bitted, KD, KA4 only)	\$7.60

\* Specify specific competitor keyway on order. Competitor keyways are furnished 0 bitted, unless otherwise specified.  
Not available Master keyed. KD option is not available for locks containing 2 cylinders.

- Notes:**
- 1) Finishes: 606, 622, 626 and 643e
  - 2) Specify keyway
  - 3) Cylinders are furnished G keyway, keyed differently unless otherwise specified.
  - 4) Restricted sections add \$12.30 to list price. See page 4 for list of standard keyways. All other keyways are considered restricted.

Small Format Interchangeable Core and Small Format Construction Core		
Description	Specify	Add to Lock Price (per core)
Small format core (BEST Style) *	BB6/7 Suffix Example: H2101BB6	\$50.00
Small format core (Falcon Style) *	G6/7 Suffix Example: H2101G6	
Small format construction core **	H Suffix Example: H2101HD	50.00
Less Small format core	B Suffix Example: H2101BD	N/C
Small format disposable core	BDC Suffix Example: H2101BDC	N/C

\* Keying must be specified

\*\* Locks are assessed one non-refundable handling charge (50-231F) per core.

**Notes:** 5) Control keys are not furnished with locks and must be ordered separately. See page 141 for details

Locks Less Components		
Description	Specify	Deduct from Lock Price
Less deadbolt strike	LLL for deadbolt strike Example: H2101 DAN 12-339 LLL/10-001	N/C
Less deadlatch strike	LLL for deadlatch strike Example: H2101 DAN 12-339 LLL/10-094	N/C
Less both levers	LLL for both Levers Example: H2101 LLL/DAN LLL	\$13.60
Less Conventional Cylinder	L suffix Example: H2101LD/DAN	21.00

Prices subject to change without notice

Shaded items are standard components and are furnished with locks unless otherwise specified.

## H2-Series • Parts

LOCKS

Interconnected

Deadbolts									
Available Finishes - Specify for Listed Parts					605	619	626	643e	622
Q330-041, Q330-177, Q330-175					▪	▪	▪	▪	▪
Part Number	Backset - Description				Price Each				
Q330-041	2 3/8" or 2 3/4" - 1" Square corner, 1" x 2 1/4"				\$47.00				
Q330-177	2 1/4" Standard Round Corner standard				19.00				
Q330-175	2 1/4" standard Square Corner standard				19.00				

Deadlatches									
Available Finishes - Specify for Listed Parts					605	619	626	643e	622
Q100-101, Q100-102					▪	▪	▪	▪	▪
Part Number	Backset - Description				Price Each				
Q100-101	2 3/8" or 2 3/4" adjustable backset, Square corner, 1" x 2 1/4" Round corner, 1" x 2 1/4", included w/o screws				\$41.70				
Q100-102	2 3/8" or 2 3/4" adjustable backset, 2 1/4" - 1" Square corner, 1" x 2 1/4" Round corner, 1" x 2 1/4", included w/screws								

Deadbolt/Deadlatch Combinations									
Available Finishes - Specify for Listed Parts					605	619	626	643e	622
Q100-100					▪	▪	▪	▪	▪
Part Number	Backset - Description	Deadbolt	Deadlatch	Price Each					
Q100-100	2 3/8" or 2 3/4" - Dual Option, 1" x 2-1/4" w/ screws	Q330-041	Q100-101	\$88.60					

Deadbolt Strikes									
Available Finishes - Specify for Listed Parts					605	619	626	643e	622
10-094, 10-092, 10-095					▪	▪	▪	▪	▪
Part Number	Lip Length - Description				Price Each				
10-094	N/A - Square corner, 1 1/8" x 2 3/4"				\$14.00				
10-092	1 1/8" - 1/4" Radius round corner, full lip, no box, 1 5/8" x 2 1/4"				9.00				
10-095	1 1/8" - Square corner, full lip, no box, 1 5/8" x 2 1/4"								
10-116	N/A - Round corner strike, no lip, 1 1/8" X 2 3/4"				15.60				
37-016	Strike reinforce, use with 10-094 and 10-116				18.50				

Deadlatch Strikes									
Available Finishes - Specify for Listed Parts					605	619	626	643e	622
10-001, 10-026, 10-027					▪	▪	▪	▪	▪
Part Number	Lip Length - Description				Price Each				
10-001	Square corner, T-strike, box, 1 1/8" x 2 3/4"				\$7.50				
10-026	1 1/8" - Square corner, full lip, no box, 1 5/8" x 2 1/4"				8.70				
10-027	1 1/8" - 1/4" Radius round corner, full lip, no box, 1 5/8" x 2 1/4"								

Deadbolt/Deadlatch Strike Combinations									
Available Finishes - Specify for Listed Parts					605	619	626	643e	622
10-109, 10-121, 10-122, 10-123, 10-124					▪	▪	▪	▪	▪
Part Number	Deadbolt Strike	Deadlatch Strike		Price Each					
10-109	10-094	10-001		\$21.40					
10-121	10-094	10-026		21.60					
10-122	10-116	10-027		24.50					
10-123	10-092	10-027		17.80					
10-124	10-095	10-026							

Prices subject to change without notice



<b>Screw/Screw Packs</b>								
<b>Available Finishes - Specify for Listed Parts</b>				<b>605</b>	<b>619</b>	<b>626</b>	<b>643e</b>	<b>622</b>
B202-578, S206-504				▪	▪	▪	▪	▪
<b>Part Number</b>	<b>Description</b>	<b>Contents</b>	<b>Price Each</b>					
B202-578	Latch and strike	(4) C603-897	<b>\$9.70</b>					
S206-504	Chassis & trim	(2) B600-100 (2) B520-621 (2) F506-278	<b>7.70</b>					
S206-505	Chassis & Trim, Thick Door	(2) B600-101 (2) B520-621 (2) F506-278	<b>7.70</b>					
S206-506	Indicator Function	(2) B520-663 Screw, Indicator Mounting (2) B520-621 Screw, Thumbturn Mounting (2) F506-278 Screw, Mounting (1) Q001-103 Driver Bar	<b>12.50</b>					
B502-873*	Screw, reinf. strike	-	<b>0.66</b>					
* Order in multiples of 100								

Prices subject to change without notice

Prices subject to change without notice

**Table of Contents**

Conventional Cylinders .....132  
 Interchangeable Cores ..... 137  
 IC Cylinders and Cabinet Locks.....138  
 Conventional Keys and Blanks .....139  
 IC Keys and Key Blanks,  
 Disposable Construction Core..... 140  
 Keys & Keying Construction Core Program .....141  
 Cams, Tailpieces, Throw Members .....142  
 Cylinder Parts and Service Equipment.....143  
 IC Cams, Throw Members, etc..... 144  
 IC Service Equipment & Supplies.....145  
 Keying and Stamping Charges ..... 146

**Finish Codes and Descriptions\***

Code		Description
605	(US 3)	Bright Brass-Clear Coated
606	(US 4)	Satin Brass-Clear Coated
613	(US 10B)	Satin Bronze-Dark Oxidized and Oil Rubbed
619	(US15)	Satin Nickel
622		Matte Black
643e		Alternate 613 finish
626	(US 26D)	Satin Chromium
629	(US32)	Bright Stainless Steel
630	(US 32D)	Satin Stainless Steel

\* See individual products for finish availability.

**Standard Features** - Furnished unless otherwise specified



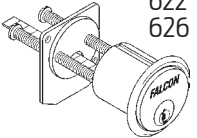
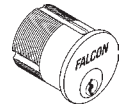

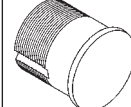
**Standard Cylinder**      Solid Brass housings and plugs. Standard Keyway is Falcon G keyway. Keyed different furnished unless otherwise specified (additional charges may apply, See page 146 for keying charges) with 2 nickel silver keys. Mortise cylinder standard lengths are 1-1/8" for conventional cylinders and 1-3/8" for small format interchangeable core housings.

SFIC Furnished in A keyway unless otherwise specified. Combined cores are provided with 2 keys.

**Restricted Keyways**      Falcon has a varied selection of restricted keyways for conventional and SFIC cylinders based on geographic restrictions for usage. Minimum cylinder purchase required. See your Security and Safety Consultant for more information or availability.  
 Conventional (no-IC): M, Q, S, and T keyways  
 SFIC : ID\*, F\*, X, Y, and Z keyway families

Prices subject to change without notice

# Conventional Cylinders

<b>951</b> Available in: 605 606 613 619 622 625 626 630 643e 	<b>985</b> Available in: 605 606 613 619 622 625 626 630 643e 	<b>986T</b> Available in: 605 606 613 619 622 626 630 643e 	<b>985D</b> Available in: 605 606 613 619 622 625 626 630 643e 
--	--	---	--



Non-IC Products

622 Finish only available in Falcon G keyway for non-IC products.

## MA and M Series Conventional Rim and Mortise Cylinders

Pins	Length	Description	Number	626, 643e	605 606 613 630 619/622/625		
5 or 6	1-1/8	Mortise	985	\$71.00	\$75.00		
	1-1/4		986				
	1-3/8		987				
5, 6, or 7	1-1/2	Mortise	988	71.00	75.00		
	1-3/4		990	98.00	97.00		
	2		992	118.00	122.00		
	6		1-1/8	Mortise, hotel function*	250	123.00	127.00
	6		1-1/4		251		
6	1-3/8	252					
7	1-3/8	253	93.00	97.00			
5, 6, or 7	-	Rim	951	71.00	75.00		
-	1-1/8	Mortise, thumbturn	985T	110.00	114.00		
-	1-1/4		986T				
-	1-1/8		973				
-	1-1/8	Mortise, classroom thumbturn (RH, CCW)	974				
-	1	Dummy	984D	42.00	46.00		
-	1-1/8		985D				

\*Hotel mortise cylinders are offered as masterkeyed or "O" bitted only and must be specified.

**Notes:** 1) MA cam (5622-STD) provided unless otherwise specified. See page 142 for additional available cams.

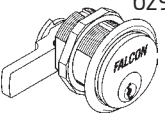
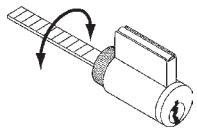
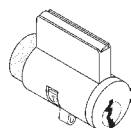
2) Mortise and rim cylinders are not available in any competitor keyway. MA451 (Hotel Function) is not available in Schlage C keyway for conventional cylinders.

3) 984D, 985D not available in 629 and 630.

4) Add \$12.30 (list) for Falcon restricted keyways. See page 4 for standard keyways. All others are restricted. Falcon conventional cylinder restricted keyways use a unique pin kit (P/N 1417) and cutter wheel for keys.

5) To order mortise cylinder with straight cam inverted for dogging, specify A09897-024

6) Conventional mortise cylinder (985 & 986) with Schlage C keyway are available with the following cams only, 5622-STD & B502-191. Specify XQ11-949 when ordering with cylinder dogging.

<b>945</b> Available in: 605 606 613 626 629 630 	<b>950</b> Available in: 606 626 	<b>954</b> Available in: 606 626 
---	---	--

## Miscellaneous Cylinders

Part Number	Description	Finishes		
		606, 626	605, 613	629, 630
945	Cam lock	\$124.00	\$124.00	\$124.00
950*	Sliding door cylinder	57.00	-	-
954*	Mail box cylinder	69.00	-	-

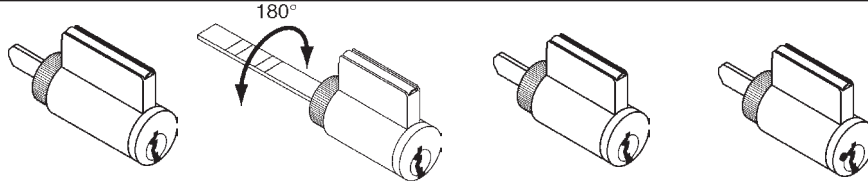
\* For 7-pin cylinder add \$13.50.

**Note:** 7) Postal regulations prohibit master keying of mail box cylinders.

Prices subject to change without notice



Non-IC Products



**Falcon Conventional Cylinders, 5 and 6 Pin**

Cylinder Mechanism	Part Number	List Price	
5 Pin Cylinder 955	A23151-01	\$63.00	
5 Pin Cylinder B series except 611 function	A23155-02		
5 Pin Cylinder B series 611 function	A23151-06		
5 Pin Cylinder - D111, D141 for 1 3/8" to 1 3/4" thick doors	Q500-064		
5 Pin Cylinder - D111, D141 for 1 7/8" - 2 1/4" thick doors	Q500-065		
5 Pin Cylinder - D121	Q500-066		
5 Pin Cylinder - D131	Q500-070		
5 Pin Cylinder - D211, D241	Q500-067		
5 Pin Cylinder - D221	Q500-069		
5 Pin Cylinder - D231	Q500-072		
5 Pin Cylinder H all other functions & designs	A30028		
5 Pin cylinder H511 knobs	A30040		
5 Pin Cylinder - H2101	Q100-105		
5 Pin Cylinder RU/T series (except 381 IS, 571)	A23151-05		
5 Pin Cylinder RU/T series 381 IS	A23151-06		
5 Pin Cylinder RU/T series 571	A23151-07		
5 Pin Cylinder X411, 501, 511, 521, 581 E & T	A23152		
5 Pin Cylinder X411, 501, 511, 521, 581 H	A23152-02		
5 Pin Cylinder X561 - E and T designs	A23151		
5 Pin Cylinder X561 - H designs, 571 - E & T	A23151-02		
5 Pin Cylinder X571 - H designs	A23151-03		
5 Pin Cylinder Y series	A23155		
6 Pin Cylinder 955	A23161-01		\$63.00
6 Pin Cylinder B series except 611 function	A23165-02		
6 Pin Cylinder B series 611 function	A23161-06		
6 Pin Cylinder - D111, D141 for 1 3/8" to 1 7/8" thick doors	Q500-021		
6 Pin Cylinder - D111, D141 for 1 7/8" - 2 1/4" thick doors	Q500-022		
6 Pin Cylinder - D121	Q500-058		
6 Pin Cylinder - D131 for 1 3/8" - 1 3/4" thick doors	Q500-054		
6 Pin Cylinder - D131 for 1 7/8" - 2 1/4" thick doors	Q500-055		
6 Pin Cylinder - D211, D241	Q500-010		
6 Pin Cylinder - D221	Q500-056		
6 Pin Cylinder - D231	Q500-012		
6 Pin Cylinder H101	A30028-01		
6 Pin Cylinder H511 knobs	A30040-01		
6 Pin Cylinder - H2101	Q100-104		
6 Pin Cylinder RU /T series 381 IS	A23161-06		
6 Pin Cylinder RU/T series (except 381 IS, 571)	A23161-05		
6 Pin Cylinder RU/T series 571	A23161-07		
6 Pin Cylinder X411, 501, 511, 521, 581 E & T	A23162		
6 Pin Cylinder X411, 501, 511, 521, 581 H	A23162-02		
6 Pin Cylinder X561 - E and T designs	A23161		
6 Pin Cylinder X561 - H designs, 571 - E & T	A23161-02		
6 Pin Cylinder X571 - H designs	A23161-03		
6 Pin Cylinder Y series	A23165		
6 Pin Cylinder H451, 461 hotel/motel	A30036-01	78.00	
6 Pin Cylinder W lock	Q330-154	63.00	
6 Pin Cylinder W lock - except W561 (knob)	Q330-238		
6 Pin Cylinder W561 (knob)	Q330-246		

**Falcon Conventional Cylinders, 7 Pin**

Cylinder Mechanism	Part Number	List Price
7 Pin Cylinder - D111, D141 for 1 3/8" to 1 7/8" thick doors	Q500-046	\$78.00
7 Pin Cylinder - D111, D141 for 1 7/8" - 2 1/4" thick doors	Q500-047	
7 Pin Cylinder - D121	Q500-059	
7 Pin Cylinder - D211, D241	Q500-014	
7 Pin Cylinder - D221	Q500-057	
7 pin cylinder RU/T series (except 381 IS, 571)	A23171-05	
7 pin cylinder RU/T series 381 IS	A23171-06	
7 pin cylinder RU/T series 571	A23171-07	
7 pin cylinder X411, 501, 511, 521, 581 H	A23172-02	
7 pin cylinder X561 - H designs	A23171-01	
7 pin cylinder X571 - H designs	A23171-02	

Notes: 1) Finishes: 606 and 626 only

2) Specify keyway

3) Cylinders are furnished G keyway, keyed differently unless otherwise specified.

4) Add \$12.30 (list) for Falcon restricted keyways. See page 4 for standard keyways. All others are restricted.

Falcon conventional cylinder restricted keyways use a unique pin kit (P/N 1417) and cutter wheel for keys.

Prices subject to change without notice

Schlage Conventional Cylinders, 6 Pin				
Cylinder Mechanism	Function	Keying Offered	Part Number	List Price
Schlage C kwy	955	KA, KD, MK, 0-bit	A23160-2	\$63.00
Schlage E kwy		0-bit	A23159-2	
Schlage C kwy	B except 611	KA, KD, MK, 0-bit	A23160-13	
Schlage E kwy		0-bit	A23159-13	
Schlage C kwy	B611, T381 IS	KA, KD, MK, 0-bit	A23160-11	
Schlage E kwy		0-bit	A23159-11	
Schlage C kwy	D121, 221	KA, KD, MK, 0-bit	Q033-071	
Schlage E kwy		0-bit	Q033-066	
Schlage C kwy	D131, 231	KA, KD, MK, 0-bit	Q033-070	
Schlage E kwy		0-bit	Q033-067	
Schlage C kwy	D111, D211, D241 (Q033-069 only)	KA, KD, MK, 0-bit	Q033-069	
Schlage E kwy		0-bit	Q033-066	
Schlage C kwy	H deadbolt	KA, KD, MK, 0-bit	A23160-10	
Schlage E kwy		0-bit	A23159-10	
Schlage C	H2101	KA, KD, MK, 0-bit	Q100-108	
Schlage C kwy	H511 knobs	KA, KD, MK, 0-bit	A23160-7	
Schlage E kwy		0-bit	A23159-7	
Schlage C kwy	T571	KA, KD, MK, 0-bit	A23160-12	
Schlage E kwy		0-bit	A23159-12	
Schlage C kwy	T Except 571 & 381 IS	KA, KD, MK, 0-bit	A23160-000	
Schlage E kwy		0-bit	A23159-000	
Schlage C kwy	X411, 501, 511, 521, 581 E & T	KA, KD, MK, 0-bit	A23160-5	
Schlage E kwy		0-bit	A23159-5	
Schlage C kwy	X411, 501, 511, 521, 581 H	KA, KD, MK, 0-bit	A23160-6	
Schlage E kwy		0-bit	A23159-6	
Schlage C kwy	X561 E & T	KA, KD, MK, 0-bit	A23160-1	
Schlage E kwy		0-bit	A23159-1	
Schlage C kwy	X571 E & T, X561 H	KA, KD, MK, 0-bit	A23160-3	
Schlage E kwy		0-bit	A23159-3	
Schlage C kwy	X571 H	KA, KD, MK, 0-bit	A23160-4	
Schlage E kwy		0-bit	A23159-4	
Schlage C kwy	Y series	KA, KD, MK, 0-bit	A23160-8	
Schlage E kwy		0-bit	A23159-8	
Schlage C kwy	W Series Levers	KA, KD, MK, 0-bit	Q330-152	
	W Series Knobs (except W561)	KA, KD, MK, 0-bit	Q330-237	
	W561 Knob	KA, KD, MK, 0-bit	Q330-245	

Schlage Conventional Cylinders, 5 Pin			
Cylinder Mechanism	Function	Part Number	List Price
5 Pin Schlage C	Q500-065-5C : 5 Pin cylinder Schlage C -D111, 141 for 1-7/8" - 2-1/4"	Q500-065-5C	\$63.00
5 Pin Schlage C	Q500-071-5C : 5 Pin cylinder Schlage C - D131 for 1-7/8" - 2-1/4"	Q500-071-5C	
5 Pin Schlage C	T lock all except T571	A23160-14	
5 Pin Schlage C	X LOCK 561 E & T	A23160-15	
5 Pin Schlage C	PADLOCKS	A23160-16	
5 Pin Schlage C	X LOCK 561 H, 571 E & T	A23160-17	
5 Pin Schlage C	X LOCK 571 H	A23160-18	
5 Pin Schlage C	X LOCK 411 E & T, X501,511,521,581 E & T	A23160-19	
5 Pin Schlage C	X LOCK 411 H, X501,511,521,581 H	A23160-20	
5 Pin Schlage C	H LOCK 511 LOWER	A23160-21	
5 Pin Schlage C	Y LOCK	A23160-22	
5 Pin Schlage C	H LOCK 101,511 (UPPER)	A23160-23	
5 Pin Schlage C	B611	A23160-24	
5 Pin Schlage C	T571	A23160-25	
5 Pin Schlage C	B LOCK EXCEPT B611	A23160-26	
5 Pin Schlage C	W561 (Knobs)	Q330-245-5	

- Notes:**
- 1) Finishes: 606 and 626 only
  - 2) Specify keyway, cylinders are furnished 0-bitted unless otherwise specified.
  - 3) Master keying is available on Schlage C Keyway only.
  - 4) KA options: KA4, KAQTY, KAGRP, and KEYSPECIFIC.

Prices subject to change without notice

Corbin Russwin Conventional Cylinders, 6 Pin				
Cylinder Mechanism	Function	Keying Offered	Part Number	List Price
Corbin 60 kwy	955	KD, 0-bit	A23167-2	\$63.00
Corbin/Russ L4 kwy		0-bit	A23174-2	
Russwin D1 kwy		KD, 0-bit	A23168-2	
Corbin 60 kwy	B Series	KD, 0-bit	A23167-13	
Corbin/Russ L4 kwy		KD, 0-bit	A23174-13	
Russwin D1 kwy		KD, 0-bit	A23168-13	
Corbin 60 kwy	B611, T381 IS series	KD, 0-bit	A23167-11	
Corbin/Russ L4 kwy		KD, 0-bit	A23174-11	
Russwin D1 kwy		KD, 0-bit	A23168-11	
Russwin D1 kwy	D121, 221	KD, 0-bit	Q033-074	
Corbin/Russ L4 kwy		0-bit	Q033-079	
Russwin D1 kwy	D131, 231	KD, 0-bit	Q033-073	
Corbin/Russ L4 kwy		0-bit	Q033-078	
Russwin D1 kwy	D141, D241	KD, 0-bit	Q033-072	
Corbin 60 kwy		KD, 0-bit	Q033-077	
Corbin/Russ L4 kwy	H deadbolt	KD, 0-bit	A23174-7	
Corbin 60 kwy		KD, 0-bit	A23167-7	
Russwin D1 kwy		0-bit	A23168-7	
Corbin 60 kwy	H511 knobs	0-bit	A23167-10	
Corbin/Russ L4 kwy		KD, 0-bit	A23174-10	
Russwin D1 kwy		KD, 0-bit	A23168-10	
Corbin 60 kwy	T Except 571 & 381 IS	0-bit	A23167	
Corbin/Russ L4 kwy		KD, 0-bit	A23174	
Russwin D1 kwy		KD, 0-bit	A23168	
Corbin 60 kwy	T571	KD, 0-bit	A23167-12	
Corbin/Russ L4 kwy		0-bit	A23174-12	
Russwin D1 kwy		KD, 0-bit	A23168-12	
Corbin 60 kwy	X 411, 501, 511, 521, 581 H	0-bit	A23167-6	
Corbin/Russ L4 kwy		0-bit	A23174-6	
Russwin D1 kwy		KD, 0-bit	A23168-6	
Corbin 60 kwy	X411, 501, 511, 521, 581 E & T	0-bit	A23167-5	
Corbin/Russ L4 kwy		0-bit	A23174-5	
Russwin D1 kwy		KD, 0-bit	A23168-5	
Corbin 60 kwy	X561 E & T	KD, 0-bit	A23167-1	
Corbin/Russ L4 kwy		0-bit	A23174-1	
Russwin D1 kwy		KD, 0-bit	A23168-1	
Corbin 60 kwy	X571 E & T, X561 H	KD, 0-bit	A23167-3	
Corbin/Russ L4 kwy		0-bit	A23174-3	
Russwin D1 kwy		KD, 0-bit	A23168-3	
Corbin 60 kwy	X571 H	KD, 0-bit	A23167-4	
Corbin/Russ L4 kwy		0-bit	A23174-4	
Russwin D1 kwy		KD, 0-bit	A23168-4	
Corbin 60 kwy	Y Series	0-bit	A23167-8	
Corbin/Russ L4 kwy		0-bit	A23174-8	
Russwin D1 kwy		KD, 0-bit	A23168-8	
Corbin 60 kwy	W Series Levers	0-bit	Q330-166	
Corbin/Russ L4 kwy		KD, 0-bit	Q330-158	
Russwin D1 kwy		KD, 0-bit	Q330-210	
Corbin 60 kwy	W Series Knobs (except W561)	KD, 0-bit	Q330-241	
Corbin/Russ L4 kwy		KD, 0-bit	Q330-240	
Russwin D1 kwy		KD, 0-bit	Q330-242	
Corbin 60 kwy	W561 Knobs only	KD, 0-bit	Q330-249	
Corbin/Russ L4 kwy		KD, 0-bit	Q330-248	
Russwin D1 kwy		KD, 0-bit	Q330-250	

\* Cylinders are furnished 6-pin 0-bit unless otherwise specified, KA and KD available, no masterkeying.

- Notes:** 1) Finishes: 606 and 626 only.  
2) Specify keyway.

Prices subject to change without notice

## Sargent Conventional Cylinders, 6 Pin

Cylinder Mechanism	Function	Keying Offered	Part Number	List Price
Sargent LA Keyway	955	KD, 0 Bit	A23166-2	\$63.00
	B Series		A23166-13	
	B611, T381 IS		A23166-11	
	H deadbolt		A23166-7	
	H511 Knobs		A23166-10	
	T Except 571 & 381 IS		A23166	
	T571		A23166-12	
	X411, 501, 511, 521, 581 E & T		A23166-5	
	X411, 501, 511, 521, 581 H		A23166-6	
	X561 E & T		A23166-1	
	X571 E & T, X561 H		A23166-3	
	X571 H		A23166-4	
	Y Series		A23166-8	
	W Series Levers		Q330-160	
	W Series Knobs (except W561)		Q330-243	
	W561 Knob only		Q330-251	

## Yale Conventional Cylinders, 6 Pin

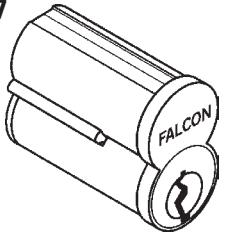
Cylinder Mechanism	Function	Keying Offered	Part Number	List Price
Yale 8 (Para) Keyway	955	KD, 0-bit	A23169-2	\$63.00
	B except 611		A23169-13	
	B611, T381 IS		A23169-11	
	D121, D221	KD, 0-bit	Q033-076	
	D141, 241, 111, 211		Q033-075	
	H deadbolt	KD, 0-bit	A23169-7	
	H511 knobs		A23169-10	
	T Except 571 & 381 IS		A23169	
	T571		A23169-12	
	X411, 501, 511, 521, 581 E & T		A23169-5	
	X411, 501, 511, 521, 581 H		A23169-6	
	X561 E & T		A23169-1	
	X571 E & T, X561 H		A23169-3	
	X571 H		A23169-4	
	Y series		A23169-8	
	W Series Levers		Q330-156	
	W Series Knobs (except W561)		Q330-239	
	W561 Knob only		Q330-247	

- Notes:** 1) Finishes: 606 and 626 only  
 2) Specify keyway, cylinders are furnished 0-bitted unless otherwise specified.  
 3) Master keying is not available.

Prices subject to change without notice



**C607**



**Available in:**  
 605    606  
 622\*   625  
 626    643e  
 613 (simulated)

\* 622 Available in Falcon A keyway only for SFIC



Regular Core (suffix keyway to number)						
Description	Uncombined			Combinated		
	6-Pin	7-Pin	Price	6-Pin	7-Pin	Price
Standard	C646	C647	\$37.00	C606	C607	\$50.00
Best style capping	CB846	CB847		CB806	CB807	
No logo	C648	C649	37.00	C608	C609	
No logo, Best capping	CB848	CB849		CB808	CB809	

- Notes:**
- 1) For restricted keyways add \$12.30 per core. See page 131 for restricted keyway policies.
  - 2) For temporary construction cores and policy, See page 141.
  - 3) For 605, 613 and 625 add \$3.00 per core. Minimum 250 pieces.
  - 4) Keying must be specified on combinated cores. (unspecified orders will default to uncombined)

Pricing: Uncombined cores have no pins, springs or keys. Combinated core prices include master keying.

Finishes: 606 and 626 standard.

Packaging: Uncombined cores are packed 20 per box.

Keyways: The "A" keyway is standard for IC products and will be supplied unless otherwise specified.

A, B, C, D, DD, E, F, G, H, J, K, L, M, N, Q, R, TB and TD are equivalent to Best and Arrow IC keyways of the same letter designations. All other keyways are restricted. Add \$12.30 list for all restricted keyways.

When ordering locks or cores master keyed into existing Best, Arrow or other IC systems, a copy of the bitting list for the existing system is required with the order. Competitors' bitting lists are safeguarded the same as Falcon bitting lists. See page 147.

Logo: Cores and keys are supplied with the Falcon logo standard.  
 Combinated cores supplied without logo are furnished with plain (non-embossed) keys.

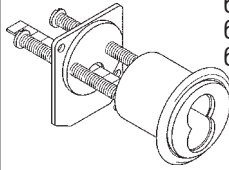
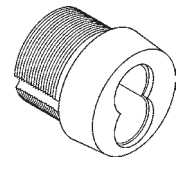
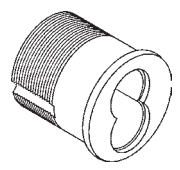
Prices subject to change without notice

# IC Cylinders & Cabinet Locks

LOCKS

Cylinders & Key Systems



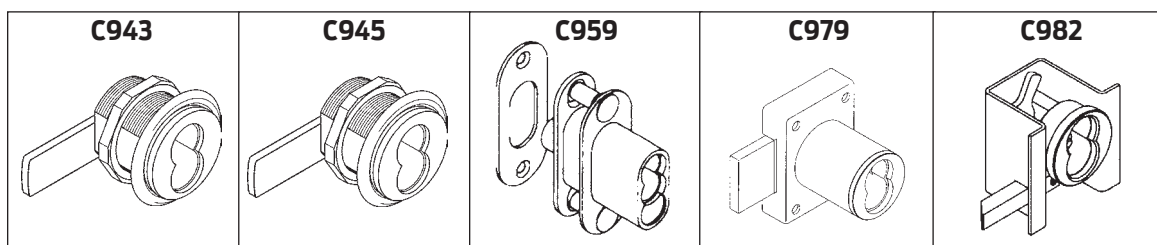
<b>Rim</b> 	<b>Available in:</b> 605 606 613 619 622 625 626 643e	<b>Tapered Head</b> 	<b>Available in:</b> 605 606 613 619 622 625 626 643e	<b>Mortise</b> 	<b>Available in:</b> 605 606 613 619 622 625 626 643e
--	---	--	---	--	---

All prices are less core. Not available with C997.  
 To order housing with core include desired pins (ex. C987-6 for mortise cylinder with 6 pin core), Price of core will be added to prices listed below.

## Small Format Interchangeable Rim and Mortise Core Housings Only

Cat. Number	Length	Pins	Description	626 643e		605 606 613 622 625 619			
C987	1-3/8"	6 or 7	Mortise	\$42.00		\$44.00			
C988	1-1/2"	6 or 7	Mortise						
C990	1-3/4"	6 or 7	Mortise	55.00		57.00			
C991	1 7/8"	6 or 7	Mortise	58.00		60.00			
C992	2"	6 or 7	Mortise	58.00		60.00			
C977	Fits Adams Rite	6 or 7	Mortise, tapered head	42.00		44.00			
C997	1-3/8"	6 or 7	Mortise, unassembled, less cam	28.00		30.00			
C262	1-5/8"	6 or 7	Mortise, hotel function RH	76.00		78.00			
C265	1-5/8"	6 or 7	Mortise, hotel function LH						
C953	N/A	6 or 7	Rim	45.00		47.00			

- Notes:**
- 1) All mortise cylinders will be furnished with cam 5622-IC, except for MA381 function which will be supplied with 5620-IC and 5621-IC. See page 142 for additional available cams.
  - 2) C977 is only furnished with 012667-001 Adams Rite Cam
  - 3) When ordering cylinders with construction cores, include the suffix -7 CCA or -6 CCA added to the part number. i.e. C987-6 CCA 626 for a 6 pin small format construction core included with a C987 cylinder in 626 finish
  - 4) For mortise cylinders A08794-XXX tapered ring is supplied by default. If different is desired, please specify.
  - 5) 625 finish only available on C997-xx.
  - 6) To order mortise cylinder with straight cam inverted for dogging, specify A12667-003-DOG

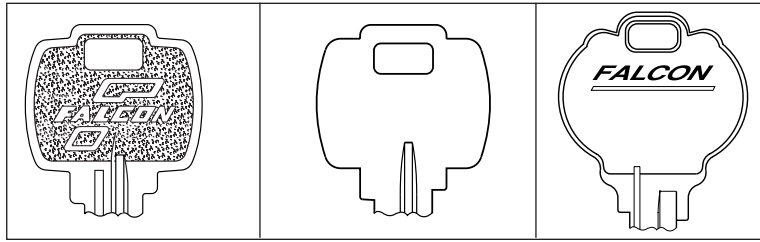


## Cabinet Locks and Miscellaneous

Cat. No.	Description	Finishes			
		606, 626	606, 626	605, 626	605, 613, 629, 630
C942	Cabinet lock	\$101.00	-	-	\$103.00
C943	Cam lock	143.00	-	-	145.00
C945	Cam lock - heavy cam	101.00	-	-	103.00
C959	Push lock for sliding doors	-	140.00	-	-
C979	Rim cabinet lock	-	-	86.00	-
C982	Mail box lock	-	81.00	-	83.00

**Note:** 6) U.S. postal regulations prohibit master keying of mail box locks.

Prices subject to change without notice



**Standard**

**Plain  
(non-embossed)**

**Large Bow**

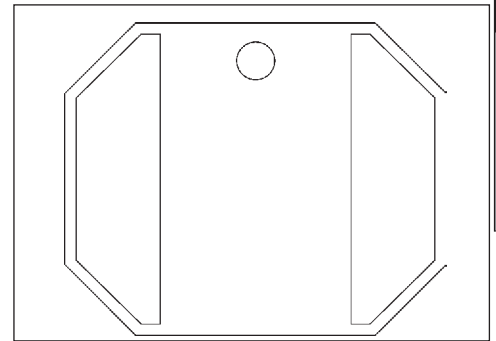


Non-IC Products

LOCKS

Cylinders &  
Key Systems

<b>Key Blanks (Specify keyway and order in multiples of 50 except where specified)</b>			
Part. Number	Description	Qty./Wt.	Each
KB573	Standard 5-pin	50/1	\$2.80
KB577	Standard 6-pin		
KB581	Standard 7-pin	35/1	3.20
KB751	Plain 5-pin (non-embossed)	50/1	2.90
KB761	Plain 6-pin (non-embossed)		
KB771	Plain 7-pin (non-embossed)		
KB544	Large bow - 5-pin	25/1	6.10
KB590	Large bow - 6-pin	25/1	7.20
KB579	Emergency - 6-pin	50/1	10.20
KB592	Emergency, large bow - 6-pin	25/1	12.00
001911-001-70	Plastic handicap access bow only	1	8.00
KB525	Block-O-Key construction key - 4-pin	1	5.70
Q330-215	6 Pin Schlage C Blank	1	3.70



**001911-001-70 Blue Plastic Bow**  
(not shown full size)

2" access bow meets Title 24 of  
The California Code for the Handicapped. Used with  
existing KB905, KB906, and KB907 keys

<b>Cut Keys</b>			Each
Part. Number	Description		
KB574	Standard 5 Pin		\$8.40
KB578	Standard 6 Pin		
KB582	Standard 7 Pin		
KB794	Plain 5-pin (non-embossed)		
KB797	Plain 6-pin (non-embossed)		
KB799	Plain 7-pin (non-embossed)		
KB545	Large bow - 5-pin (When furnished with lock - 2 keys) additional per lock		
KB545	Large bow - 5-pin		
KB591	Large bow - 6-pin (When furnished with lock - 2 keys) additional per lock	10.90	
KB591	Large bow - 6-pin		
KB580	Emergency - 6-pin	13.90	
KB584	Emergency - 7-pin	16.60	
KB593	Emergency, large bow - 6-pin	14.30	
KB905	With 2" handicap access bow, 5-pin (includes 001911-001-70)	18.90	
KB906	With 2" handicap access bow, 6-pin (includes 001911-001-70)		
KB907	With 2" handicap access bow, 7-pin (includes 001911-001-70)		
KB531	Block-O-Key construction key - 4-pin	8.90	
KB565	Construction key - 5-pin	8.90	
KB566	Construction key - 6-pin		
KB567	Construction key - 7-pin		
330055	Schlage C - 6 pin	8.20	
330278	Schlage C -5 Pin	8.20	
Q330-276	Schlage Split Key 6-pin	10.90	

\* Specify key section to key (blank) numbers.

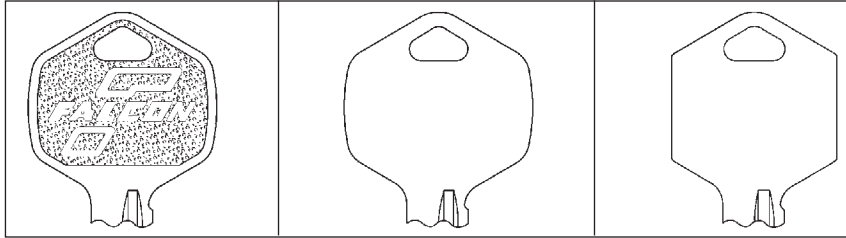
**Note: 1)** Prices listed for key blanks and cut keys are for E, G and H sections only. For all other key sections add \$0.80 list per key to prices shown. Letter of authorization required for restricted sections; not available to stock; shipped directly to the end user.

Prices subject to change without notice

# IC Keys and Key Blanks, Disposable Construction Core



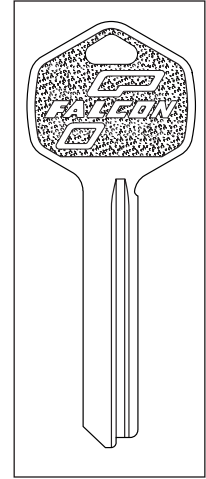
IC Products



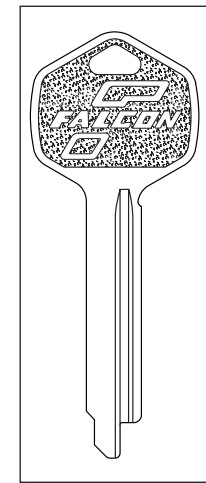
Standard

Plain (non-embossed)

Clipped for Handicap



Standard Key Tip



Mortise EMK Tip



Best Key

## IC Core Key Blanks

	Standard	Plain Both Sides	Price
Standard	KB628	KB718	\$3.00
Stamped CONTROL	KB608	KB744	5.60
M Series EMERGENCY	KB737	KB748	8.40
Blade for 2" Access Bow	KB633	-	8.00
Plastic Access Bow	001911-001-70	-	8.00

## IC Core Cut Keys

	Standard		Plain Both Sides		Price
	6-Pin	7-Pin	6-Pin	7-pin	
Standard	KB632-1	KB632-2	KB673-1	KB673-2	\$8.40
CONTROL	KB609-1	KB609-2	KB778-1	KB778-2	10.80
M Series EMERGENCY	KB738-1	KB738-2	KB779-1	KB779-2	12.50
2" Access Bow	KB916	KB916-1	-	-	19.30

- Notes:**
- 1) Specify keyway
  - 2) Order standard blanks in multiples of 50.
  - 3) Prices for key blanks and/or cut keys are for single key sections only. Key blanks 50 min. Cut keys no minimum quantity
  - 4) For double milled key (e.g. DE, EF, FG) add \$3.30 each to prices shown, minimum order quantity of 50 keys.
  - 5) Triple and quadruple milled keys add \$3.80 each to price shown, minimum order quantity of 50 keys.
  - 6) Letter of authorization required for restricted sections; not available to stock; shipped directly to the end user.
  - 7) Prices shown above are for standard key sections, prices for all restricted sections add \$0.80.

## Best Style SFIC Core Key Blanks

	Standard	Plain Both Sides	Price
Standard	KB800*	KB801*	\$3.20

\* KB 800 & 801 are not available in multi milled keyways.

## Best Style SFIC Core Cut Keys

	Standard	Plain Both Sides	Price
Standard 6-Pin	KB807-1	KB809-1	\$8.90
Stamped Control 6-Pin	KB811-1	KB813-1	11.60
Standard 7-Pin	KB807-2	KB809-2	13.40
Standard Control 7-Pin	KB811-2	KB813-2	20.70

Prices subject to change without notice

## Construction Core Program

Keyed construction cores may be ordered with interchangeable core locks and cylinders. These cores may also be ordered separately. All keyed construction cores are assessed a non-refundable handling charge (50-231). Standard payment terms apply.

Features:

- 6-pin A keyway.
- 7-pin A keyway.
- Construction cores are a flat black finish on the face. Other colors may be provided. Contact Customer Service for available colors.
- Construction cores are furnished with no keys (NCK). Cut keys must be ordered separately.
- A control key is required to install and remove construction cores. Control keys must be ordered separately.
- Construction cores may be returned for credit in working condition. Credit is issued upon receipt of cores at our factory.

A Return Material Authorization (RMA) must be issued, in order for cores to be returned.

## Construction Core Program

Part Number	Description	Specify	Price
C606CCA	Construction core 6-pin	Specify "H" suffix when ordering with Locks, Specify CCA when ordering with Mortise and Rim Cylinders	\$50.00
C607CCA	Construction core 7-pin		
KB632-1CCA	Cut key for construction core 6-pin		8.90
KB632-2CCA	Cut key for construction core 7-pin		
KB609-1CCA	Cut control key 6-pin (order separately)		
KB609-2CCA	Cut control key 7-pin (order separately)		
1408	Disposable construction core	Specify "BDC" suffix when ordering	6.40
50-231F	Non-refundable handling charge per core		8.70

**Notes:** 1) Keyed and temporary construction cores will be installed in locks and cylinders automatically unless otherwise specified on orders.

2) Construction cores for a given project are keyed alike to one of a limited number of combinations nationwide. Different Falcon projects in the same area using the same or different contractors may use the same key. Where a higher degree of security is desired, order a set of cores in 606 or 626 finish keyed alike to a random combination. Specify "KSI." Such cores are not returnable to Falcon but may be reused for other projects.

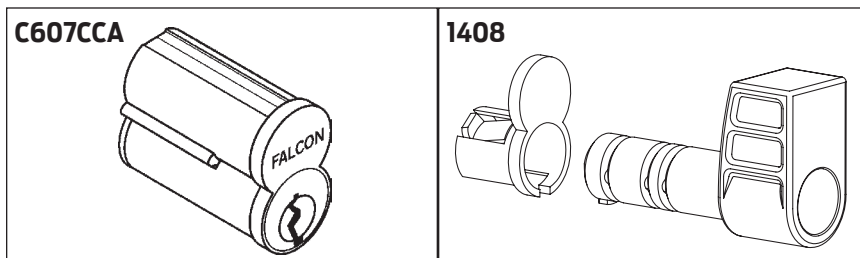
3) Temporary construction cores are an inexpensive alternative to interior keyed construction cores. This temporary is intended for use on interior door applications or where security on-site is not a concern.

## Temporary Construction Core Program (Disposable)

Temporary construction cores may be ordered with interchangeable core locks and cylinders. These cores may also be ordered separately. Standard payment terms apply.

Features:

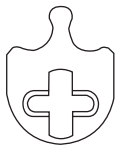
- Conveniently fits both 6 & 7-pin SFIC applications.
- No keys need to be issued.
- Disposable construction cores are not returnable.
- The disposable core is inserted in the lever or knob and is operated by a thumbturn, which retracts the latch bolt.



Prices subject to change without notice



Non-IC Products



## Conventional Mortise Cylinder Cams

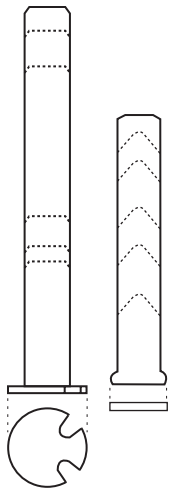
Part Number	Application	Price
1396	Cam kit for conventional cylinders	\$211.00
A09890-000-00	Adapter ring for 1-1/2" diameter cylinders	48.00
5622-STD	Falcon MA CAM for conventional mortise cylinders, except MA381	3.60
5620-STD	Falcon MA CAM for conventional mortise cylinder MA381 inside function	
5621-STD	Falcon MA CAM for conventional mortise cylinder MA381 outside function	
		<b>10-Pack Price</b>
A08867-000-00	Falcon cyl. in Sargent and Yale (26)	\$81.40
A09888-000-00	Falcon cyl. in Schlage L Series (13)	
A09894-001-00	Falcon, Ilco, Lori and Schlage cyl. in M deadbolt functions (1)	55.10
A09894-002-00	Arrow, Sargent, Yale cyl. in M deadbolt functions (2)	81.40
A09894-003-00	Corbin Russwin cyl. in M deadbolt functions (3)	
A09894-021-00	Falcon cyl. in Falcon concealed VR Delta trim - 2010 and earlier (21)	
A09894-022-00	Arrow, Sargent, Yale cyl. in Falcon Delta trim (22)	
A09894-023-00	Corbin Russwin cyl. in Falcon Delta trim (23)	
A09897-000-00	Falcon M Series non-deadbolt functions (4)	55.10
A09897-024-00	Falcon dogging cyl. in Falcon device (24)	74.70
A09898-000-00	Adams Rite 4070 (16)	
A09899-000-00	Adams Rite MS (6)	55.10
A20065-000-00	M381 outside (14)	
A20069-000-00	Corbin Russwin ML2200	81.40

## Conventional Cylinder Tailpieces and Driver Bars

Part Number	Application	Price
1389	Tailpiece kit (assortment of tailpieces and 1416 cap tool)	\$264.00
B600-045	D Series double cylinder (1-3/8" - 1-3/4" doors)	3.10
B600-046	D Series double cylinder (over 1-3/4" - 2-1/4" doors)	
B520-651	D Series single cylinder (1-3/8" - 1-3/4" doors)	3.10
B520-652	D Series single cylinder (over 1-3/4" - 2-1/4" doors)	3.10
Q330-164	W Series 501, 511, 561, 581, 711 Functions	5.00
030480-004-00	Y Series	1.10
A08350-000-00	H101	1.10
		<b>10-Pack Price</b>
A22164-000-00	X Series 561 (6 Pin) Elite & Troy	\$32.20
A22164-001-00	X Series 561 (6 Pin) Hana, 955	39.40
A22164-002-00	X Series 571 (6 Pin) Elite & Troy, 571 (7 Pin) Hana	32.20
A22164-003-00	X571 - H designs	32.20
A22169-000-00	X Series 411, 501, 511, 521, 581 (6 Pin) Elite & Troy	8.20
A22169-002-00	X Series 411, 501, 511, 521, 581 (6 & 7 Pin) Hana	
A28351-000-00	Rim conventional	38.70
A30034-001-00	H451, H461	12.10
A30038-000-00	H511	8.20
A30480-004-00	B Series	12.20
A30730-001-00	RU, T Series most 6-pin	27.00
A30730-002-00	RU, T Series most 7-pin and T571 6-pin	
A30730-003-00	RU381, T381 inside 6-pin, B611	
A30730-004-00	RU381, T381 inside 7-pin	
A30730-006-00	RU571, T571 7-pin	

## Conventional Cylinder Tailpiece Retainers, Etc.

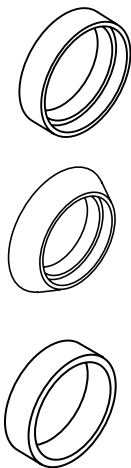
Part Number	Application	10-Pack Price
A08355-000-00	Tailpiece retainer for rim cylinder	\$34.20
A08395-000-00	Tailpiece retaining washer for H101	7.20
A12053-000-00	Tailpiece retainer, 22164 & 22169	10.60
A24264-000-00	Tailpiece spacer	4.20
A30037-000-00	Tailpiece retainer, 30034 & 30038	10.60
B600-071	D Series Retainer Washer	1 pack / 1.00



Prices subject to change without notice



Non-IC Products

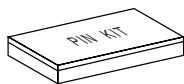


Cylinder Collars (also used for IC cylinders)				
Part Number	Size	Shape	626	605, 606 613, 625, 622, 643e
A08790-000	9/32"	Straight Protective used on escutcheon trim	\$16.00	\$18.00
A08790-001	13/32"			
A08790-002	17/32"			
A08790-003	21/32"			
A08794-000	9/32"	Tapered Protective used on sectional trim	16.00	18.00
A08794-001	13/32"			
A08794-002	17/32"			
A08794-003	21/32"	Blocking Ring	6.10	8.10
008876-000	1/8"			
008876-005	3/16"			
008876-001	1/4"			
008876-002	3/8"			
008876-003	1/2"			
008876-004	5/8"	Rim Cylinder	6.10	8.10
008862-000	n/a			

See below for wave washer. Protective rings listed above include wave washer.

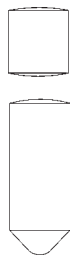
## Other Parts

Part Number	Application	Pack Qty.	Pkg. Price
008789-001-60	Wave washer	-	\$2.00
012162-000-10	Cylinder cap	-	2.80
031100-000-30	Hex nut for cam lock and mortise cylinders	-	11.70
A02750-000-00	Cam Screw	100	27.10
A03039-000-00	Mortise hotel function instruction plate packet	-	10.60
A12165-000-00	Cap retaining pin	10	8.50
A12165-100-00	Cap retaining pin	100	66.80
A12166-000-00	Spring for retaining pin	100	12.00



## Pin Kits, Pins, Tools and Service Equipment

Part Number	Application	Pack Qty.	Pkg. Price	
1416	Cylinder cap tool - steel	-	\$55.10	
1417	Pin kit for restricted keyways (includes follower and cyl. Cap tool)		320.00	
1418	Pin kit, standard (includes follower and cyl. Cap tool)		426.00	
1421	Plug follower	-	22.30	
1453	Depth key set, 5-pin	-	57.00	
1453-1	Depth key set, 6-pin			
1453-2	Depth key set, 7-pin			
030113-000-60	Key gauge for standard keys (.018" systems)	-	9.30	
030166-T10-30	Torx Screw Bit #10			
030166-T15-30	Torx Screw Bit #15			
030166-T20-30	Torx Screw Bit #20			
042613-000-60	Key gauge for restricted keyways (.025" systems)	-	33.80	
35-057	Split key, Extractor tool (Schlage C keyway)			
KB536	Block-O-Key, Extractor tool	100	2.80	
A08552-000-00	Universal top pin		10.50	
A08553-00X-00	Bottom pins, 0 thru 9: replace; "x" with size (.018" systems)		12.90	
A08554-000-00	Tumbler springs		29.90	
A08556-000-00	Construction master pins		10.50	
A08580-00X-00	Master pins, 2 thru 9: replace; "x" with size (.018" systems)			
A48553-00X-00	Bottom pins, 0 thru 6: replace; "x" with size (.025" systems)		13.10	
A48580-00X-00	Master pins, 1 thru 6: replace; "x" with size (.025" systems)			
61-509	Emergency Release Key – Standard Size for Occupancy Indicator		-	24.70
61-510	Emergency Release Key – Large Size for Occupancy Indicator		-	



Prices subject to change without notice

# IC Cams, Throw Members, etc.

LOCKS

Cylinders & Key Systems



IC Mortise Cylinder Cams		
Part Number	Description	Price
1397	Cam kit	\$263.00
5622-IC	Falcon MA CAM for SFIC mortise cylinders, except MA381	17.60
5620-IC	Falcon MA CAM for SFIC mortise cylinders MA381 inside function	
5621-IC	Falcon MA CAM for SFIC mortise cylinders MA381 outside function	
		<b>10-Pack Price</b>
A12667-000-00	Sargent / Yale (7)	\$67.00 pkg of 10
A12667-001-00	Adams Rite MS (8)	
A12667-002-00	Adams Rite 4070	
A12667-003-00	Straight (5), M series non-deadbolt functions	
A12667-006-00	Corbin Russwin master ring (25) (requires bushing A09890)	
A12667-007-00	M series deadbolt functions (10)	
A12667-008-00	Schlage L Series (12)	
A12667-011-00	Corbin Russwin, Arrow (11)	
A12667-013-00	Corbin Russwin DL4000	
A12667-020-00	Falcon concealed vertical rod Delta trim - 2010 and earlier (20)	
A12667-03A-00	Sargent 7737	
A20278-000-00	M381 outside (15)	

IC Throw Members (Tailpieces) and Spacers for Cylindrical Locksets		
022175-000-30	X Series except X571, new style	\$3.40
022175-001-30	X571 new style 6-pin	
022175-002-30	X571 new style 7-pin	
030739-000-30	RU, T Series most 6-pin	3.40
030739-001-30	RU, T Series most 7-pin	
030739-002-30	RU381, T381 inside 6-pin	
030739-003-30	RU381, T381 inside 7-pin	3.40
Q001-055	B & Y Series	
Q330-168	W Series Levers	
Q330-169	W Series Knobs	4.99
A12689-000-00	Rim	12.10 pkg. of 10
A12698-000-00	Retainer, IC rim cylinder	19.10 pkg. of 10

Cylinder Collars		
See page 143 for cylinder collars.		-

Other Parts		
A12663-001-00	Throw pins, package of ten (10), used with C987 or C997	\$14.90 pkg.
A12663-002-00	Throw pins, package of ten (10), used with C988	
A12663-003-00	Throw pins, package of ten (10), used with C990 or C991	
A12663-004-00	Throw pins, package of ten (10), used with C992	
A12663-008-00	Throw pins, package of ten (10)	
A12663-009-00	Throw pins, package of ten (10), used with C262 or C265	
A12664-010-00	Drive washer, package of ten (10)	0.80
002807-000-30	Mortise cylinder security screw	

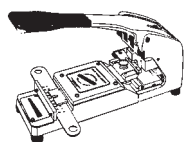
	D111/D211 D141/D241	D121/D221	D131/D231	D251/D271	D261/D261M
Door Range:	<b>B520-651</b> 	<b>B520-667</b> 	<b>B600-045</b> 	<b>B520-653</b> 	<b>B600-041</b> 
	<b>B520-652</b> 	NA	<b>B600-046</b> 	NA	NA
	<b>B202-957</b> 	<b>B220-032</b> 	<b>B202-580</b> 	NA	NA

Prices subject to change without notice





IC Products



Tools		
Part Number	Description	Price Each
1208	Key bitting punch machine, standard A2 System	\$3,983.00
1392	Capping pin, Best style capping	41.20
1393	Capping block, Best style capping	192.00
1398	Core and key stamping fixture	223.00
1400	IC mortise cyl. assy./ disassembly tool set w/punch	288.00
1401	IC mortise cyl. assy./ disassembly tool	262.00
1402	IC cam staking center punch	24.00
1405	Ejector tool	27.00
1407	Mortise cylinder installation wrench	44.60
1411	Pinning block set, Falcon spring cover cores	152.00
1414	Pinning block only, Falcon spring cover cores	99.70
1415	Tamping Plate	54.70
012612-000-60	Key Gauge (A2 System)	18.40
030425-000-60	Key Gauge (A4 System)	18.40
031034-000-30	A4 System depth bar for key bitting punch	271.00
Pin Kits		
1404 (standard)	Pin kit, A2 System complete in wooden case; Falcon spring cover cores	\$896.00
1391	Pin kit, A2 System complete in wooden case; Best style capping	
1403	Pin kit, A4 System complete in wooden case; Falcon spring cover cores	
1390	Pin kit, A4 System complete in wooden case; Best style capping	
Pin, Springs, etc.		
A12635-0xx-00	A2 top pins, #2 through #19; replace "xx" with size, 100/pkg	\$13.80 pkg
A12636-0xx-00	A2 bottom pins, #0 through #9; replace "xx" with size, 100/pkg	
A30375-0xx-00	A4 top pins, #1 through #11; replace "xx" with size, 100/pkg	
A30376-0xx-00	A4 bottom pins, #0 through #5; replace "xx" with size, 100/pkg	11.30 pkg
A12637-000-00	Tumbler Spring, 100/pkg.	
A12637-500-00	Tumbler Spring, 500/pkg.	29.50 pkg
A12638-000-00	Caps for Best style cores, 500/pkg.	34.30 pkg
A12639-001-00	Spring cover, 6-Pin, 100/pkg.	
A12639-002-00	Spring cover, 7-Pin 100/pkg.	

Prices subject to change without notice

# Keying and Stamping Charges

Master Keying		
Part Number	Description	List Price
50-210	Conventional cylinder Master Keyed (MK), Grand Master Keyed (GMK), Emergency Master Keyed (EMK), and Single Keyed (SKD) groups	\$16.70
-	Interchangeable core Master Keyed (MK), Grand Master Keyed (GMK), Emergency Master Keyed (EMK), and Single Keyed (SKD) groups	No Charge

Construction Keying – Conventional Cylinder		
Part Number	Description	List Price
50-211	Cylinder Construction Keyed (CK)	\$5.50
50-212	Cylinder Block-O-Keyed (BOK)	
60-000	Pack change keys independently (PKI) for Block-O-keying (BOK).	No Charge

Other Keying Charges		
Part Number	Description	List Price
-	Cylinder keyed different (KD) or keyed alike to a Falcon selected combination (KA) in sets of 2 or more	No Charge
-	Cylinder 0-bitted or 1-bitted, as applicable	No Charge
50-001	Conventional cylinder keyed to a specific combination	\$8.40
50-215F	Extra cut key (open keyway) when ordered with lock or cylinder	6.90
50-232F	Extra cut key (restricted keyway) when ordered with lock or cylinder	7.40
60-001	Pack change keys independently (PKI) for non-Block-O-keying (BOK)	0.62 per key

- Notes:**
- 1) Any cylinder operated by keys other than its own change key, or Single Keyed (SKD) groups within a masterkey system are subject to masterkeying charges. The Falcon Masterkey department determines and makes the final decision in the selection and use of key. 100% system expansion is allowed for new masterkey systems, unless otherwise specified.
  - 2) Construction keyed cylinder charges are in addition to masterkeying charges. PKI (Pack Keys Independently) packaging is included at no additional charge.
  - 3) Construction keying is not available with SFIC cylinders. Construction cores may be ordered for interchangeable core locks and for mortise and rim cylinders, for use during construction. See Construction Core Program.
  - 4) Block-O-Key construction keying requires 6-pin cylinders and is available only in select keyways.
  - 5) Construction keys must be ordered separately. See Page 141.
  - 6) Conventional cylinders are available 0-bitted.
  - 7) Conventional restricted key section cylinders are furnished 1-bitted unless otherwise specified.
  - 8) Falcon locks and cylinders are furnished with Falcon G key section, keyed differently (KD) unless otherwise specified.
  - 9) Falcon SFIC cylinders are furnished with A keyway, uncombined, without keys when not specified.

Prices subject to change without notice

# Keying and Stamping Charges

<b>Key &amp; Core Stamping</b>			
Part Number	Description	Price	
		Standard	I-Core
50-002	VKC - Cylinders - Standard and I-Core, Standard and non-standard code	\$4.80	-
50-217	VKC – Visual Key Control, standard symbols (AA1, AA2, etc. on keys	2.30	\$2.30
50-003	Non-standard code letters or numbers than industry standard key symbols on key (5 max.)		
50-216	CKC - Cylinders - I-Core only, Standard and non-standard code	-	4.80

<b>Special &amp; Custom Die Stamps</b>		
Part Number	Description	List Price
50-219	Keys stamped with custom or special dies – i.e, STATE OF FLORIDA, DO NOT DUPLICATE, etc.	\$2.30

<b>Bitting Lists (Keying Transcripts)</b>		
Part Number	Description	List Price
50-123	Bitting list for factory masterkeyed products (requires written authorization from end-user on letterhead)	\$267.00
50-120	Establish new masterkey system for field masterkeying, up to 50 bittings.	39.90
50-121	Each additional bitting for field masterkeying.	5.10
50-122	New change key bitting for cylinders keyed in the field	4.00

Prices subject to change without notice

Prices subject to change without notice

**Table of Contents**

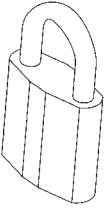
<b>Padlocks</b>	<b>150</b>
<b>Complete Lock Pricing</b>	<b>150</b>
Padlocks .....	153
Padlocks, Parts and Accessories .....	154
<b>Complete Padlocks</b>	<b>156</b>
Special Security Products .....	157
Lock Mounts.....	158
Display Mounts.....	158

Prices subject to change without notice

# Auxiliary Products

LOCKS

Auxiliary Products

<b>Padlocks</b>	<b>Available in:</b> 606
	

Padlocks		
Cat No.	Description	Finish 606
955-1P	Deadlocking type - 1" shackle	\$166.00
955-2P	Deadlocking type - 2" shackle	179.00
955-6P	Deadlocking type - 6" shackle	

- Notes:** 1) Key is removable with shackle in locked position only.  
 2) Falcon padlocks now discount as complete locks and not as parts.

Options	
Description	Price
<b>Cylinders</b>	
5-pin (drilled for 6)	Standard
6-pin	No Charge
7-pin (per cylinder)	\$13.50
Less cylinder	Deduct \$23.30
Competitor's keyways in standard cylinder model (see page 4)	No Charge
<b>Keying</b>	
Master keying, conventional cylinder	See page 146
Construction master keying, conventional cylinder	See page 146

Prices subject to change without notice

### Standard Features for Commercial Series Padlocks - Stock

Certification	Meets or exceeds ASTM standards for standard steel shackle, shackle cutting and corrosion resistance.
Lock Body	Chrome plated brass - resists corrosion.
Shackle	Hardened steel alloy, double deadbolt locking mechanism.
Cylinder*	Accepts Falcon 6 or 7-pin small format interchangeable core (SFIC), as well as SFIC products from other manufacturers.

\*All padlocks supplied less cylinder. Cylinders must be ordered separately.

### Important Ordering Information

Locks must be ordered in case quantities; this does not apply to factory ordered Falcon branded 955 Series locks. Case quantity is listed with each product. All prices listed are unit prices.

**Note:** All Falcon cylinders will ship separately.

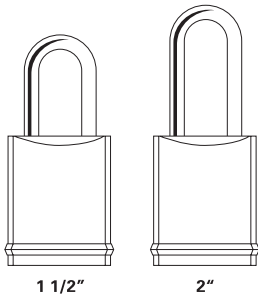
Prices subject to change without notice

# Auxiliary Products - Cable Locks

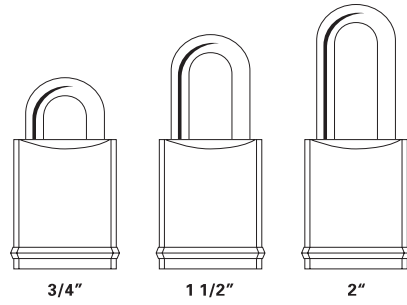
LOCKS

Auxiliary  
Products

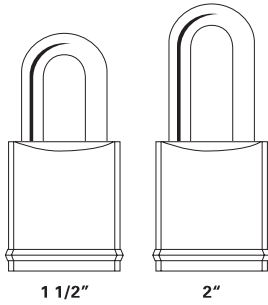
## 10 Series - 1/4" Shackle diameter



## 20 Series - 5/16" Shackle diameter



## 40 Series - 3/8" Shackle diameter

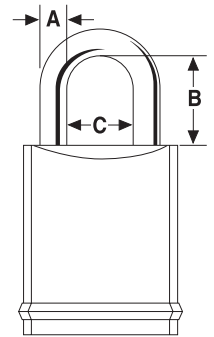


Prices subject to change without notice

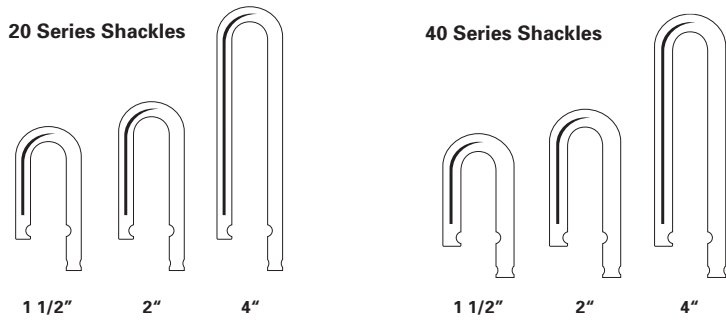


Padlocks - Small Format Interchangeable Core (SFIC) - Less Cylinder				
Part Number	Shackle Dimensions			List Price
	A	B	C	
<b>Chrome Plated Brass Body - KS11 2 Series (Body Dimensions: 1-25/32" wide, 2-3/16" high, 7/8" thick)</b>				
KS11D1200	1/4" (6.4mm)	1-1/2" (38mm)	3/4" (19mm)	\$35.00
KS11F1200		2" (51mm)		36.50
<b>Chrome Plated Brass Body - KS21 Series (Body Dimensions: 1-25/32" wide, 2-3/16" high, 7/8" thick)</b>				
KS21D1200		1-1/2" (38mm)		\$37.10
KS21F1200		2" (51mm)		39.00
<b>Chrome Plated Brass Body - KS41 Series (Body Dimensions: 1-15/16" wide, 2-3/16" high, 7/8" thick)</b>				
KS41D1200	3/8" (9.5mm)	1-1/2" (38mm)	3/4" (19mm)	\$37.10
KS41F1200		2" (51mm)		39.00

- Notes:** 1) Product is shipped without cylinder. For cylinder options: see **Cylinders**.  
 2) Keying options: see **Keys & Keying**. See **Terms & Conditions** for more information.  
 3) Case quantity is 6.



Prices subject to change without notice



### Commercial Series: Replacement Shackles

Part Number	Shackle Dimensions			List Price
	A	B	C	
<b>Hardened Steel Shackle - For Use with 20 Series Padlocks</b>				
KZ11G20	5/16" (8mm)	4" (102mm)	3/4" (19mm)	\$13.10
<b>Brass Shackle - For Use with 10 Series Padlocks</b>				
KZ12G10	1/4" (6.4mm)	4" (102mm)	3/4" (19mm)	\$10.30
<b>Brass Shackle - For Use with 20 Series Padlocks</b>				
KZ12D20	5/16" (8mm)	1-1/2" (38mm)	3/4" (19mm)	\$8.40
KZ12G20		4" (102mm)		13.00
<b>Brass Shackle - For Use with 40 Series Padlocks</b>				
KZ12D40	3/8" (9.5mm)	1-1/2" (38mm)	3/4" (19mm)	\$11.20
KZ12G40		4" (102mm)		16.00
<b>Stainless Steel Shackles - For use with 20 Series Padlocks</b>				
KZ13D20	5/16" (8mm)	1-1/2" (38mm)	3/4" (19mm)	\$8.90
KZ13F20		2" (51mm)		9.30
<b>Stainless Steel Shackles - For use with 40 Series Padlocks</b>				
KZ13D40	3/8" (9.5mm)	1-1/2" (38mm)	3/4" (19mm)	\$11.20
KZ13F40		2" (51mm)		11.60

**Note:** 1) Case quantity is 6.

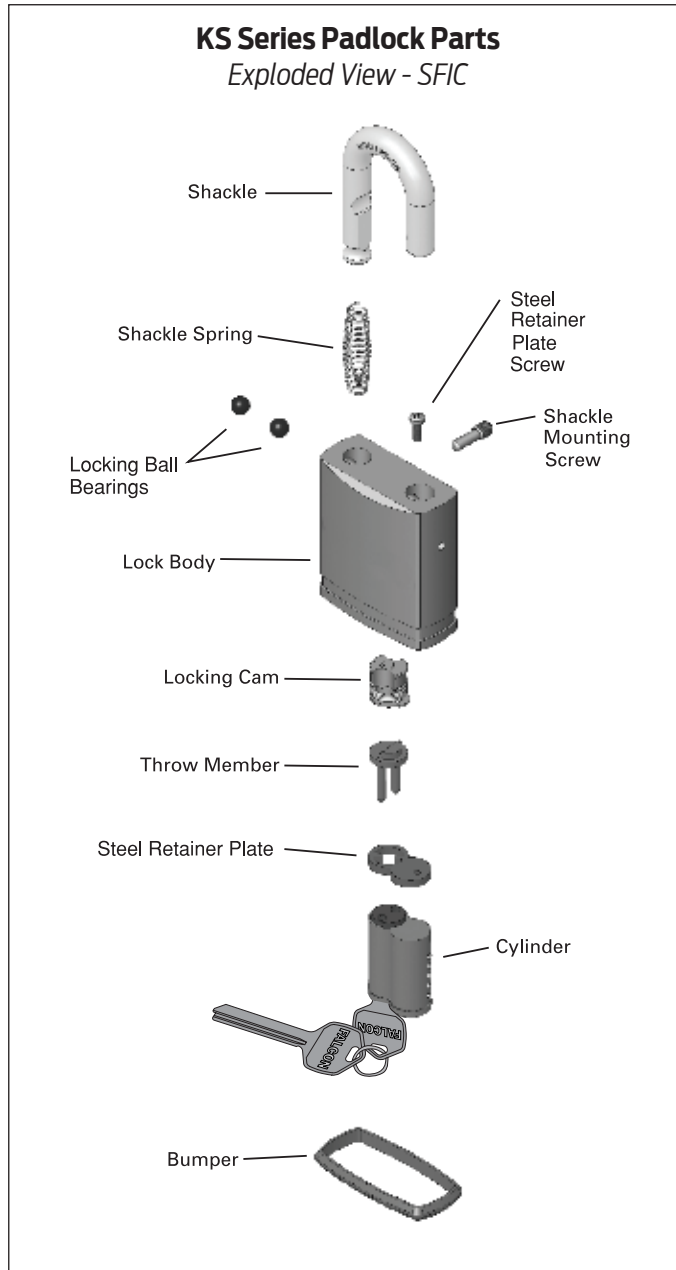
### Important Ordering Information

Locks must be ordered in case quantities; this does not apply to factory ordered Falcon branded 955 Series locks. Case quantity is listed with each product. All prices listed are unit prices.

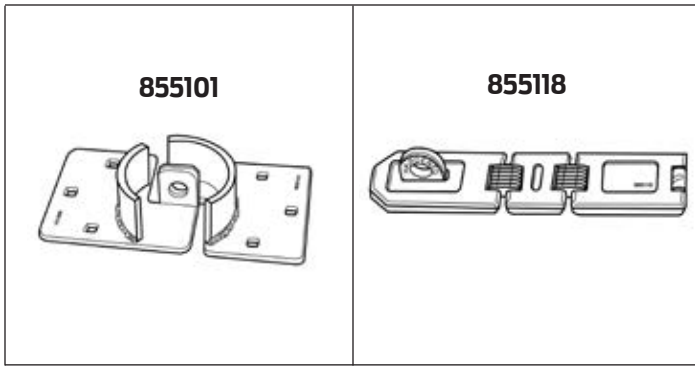
**Note:** All Falcon cylinders will ship separately.

Prices subject to change without notice

This page intentionally left blank



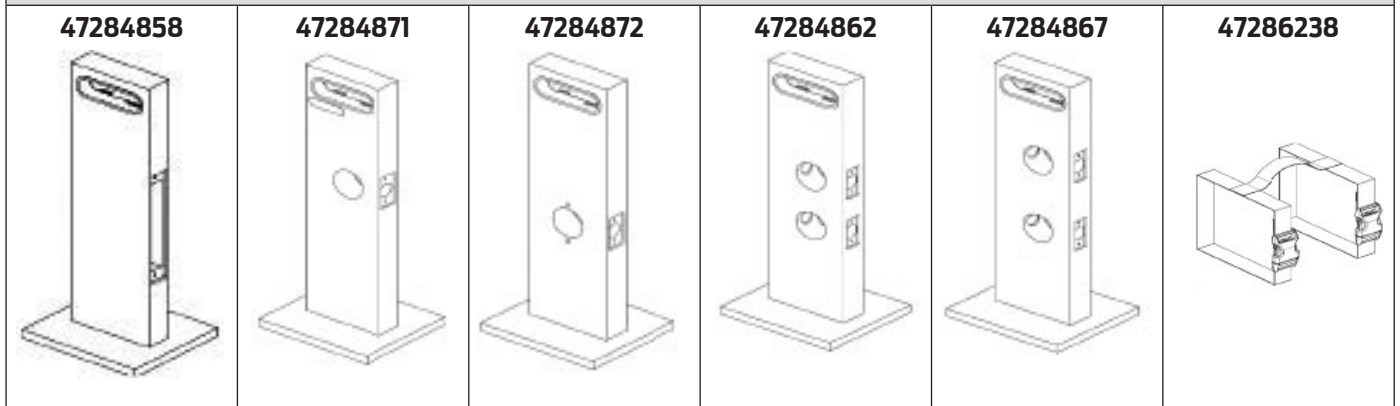
Prices subject to change without notice



Specialty Security Products			
Security Hasps			
Part Number	Body Dimension		Price Each
855101	8-1/2" x 4-1/2"	3	\$45.50
855118	7-3/4" x 1-3/4"	6	14.50

Prices subject to change without notice

## Falcon Commercial White Wood Mounts



## Display Mounts

Part Number	Description	Dimension (inches)					List Price
		Backset	Bore	Faceplate Width	Total Height	Width at Base	
47284858	Mortise Mount	2-3/4	-	1-1/4	19-7/8	8	\$183.00
47284871	Deadbolt, Knob, & Keypad Mount	2-3/8	2-1/8	1	19-7/8	8	183.00
47284872	Cylindrical Mount	2-3/4	2-1/8	1-1/8	19-7/8	8	183.00
47284862	4-inch Interconnect Mount	2-3/8	2-1/8	1	19-7/8	8	183.00
47284867	5.5-inch Interconnect Mount	2-3/8	2-1/8	1	19-7/8	8	183.00
44-115	Clear Plastic Mount Ring	-	-	-	-	-	49.60
47286238	Mount Carton Carrying Strap	-	-	-	-	-	22.90

**Note:** 1) Price does not include lock

Prices subject to change without notice

Part No.	Page	Part No.	Page	Part No.	Page	Part No.	Page
001911-001-70	139	030712-000-30	50, 64	031702-000	97	36-071	89, 117
002762-000	50	030712-001-30	50, 64	031703-000	97	37-016	128
002770-016-30	50, 65	030718-000-30	50, 64	031705-000-30	98	38-031	89, 117
002807-000-30	144	030718-001-30	50, 64	031718-000	98	44-115	158
005099-000-30	35	030722-000-30	50, 64	031719-000	98	47284858	158
008789-001-60	143	030724-000-30	50, 64	031741-000-50	98	47284862	158
008862-000	143	030726-000-30	50, 64	042613-000-60	143	47284867	158
008876-000	143	030726-007-30	50, 64	10-001	127, 128	47284871	158
008876-001	143	030728-000	50, 64	10-026	127, 128	47284872	158
008876-002	143	030729-000-70	64	10-027	127, 128	47286238	158
008876-003	143	030732-000-30	64	10-064	89, 117	50-001	146
008876-004	143	030732-001-30	64	10-087	89, 117	50-002	147
008876-005	143	030733-000-55	50, 64	10-092	89, 117, 127, 128	50-003	147
012136-000	73	030733-002	64	10-094	89, 117, 127, 128	50-120	147
012137-000	73	030739-000-30	144	10-095	89, 117, 127, 128	50-121	147
012138-000	73	030739-001-30	144	10-109	127, 128	50-122	147
012162-000-10	143	030739-002-30	144	10-116	127, 128	50-123	147
012172-000-30	73	030739-003-30	144	10-121	127, 128	50-210	146
012236-000	73	030740-000	63	10-122	127, 128	50-211	146
012612-000-60	145	030740-001	63	10-123	127, 128	50-212	146
012966-000	73	030740-002	63	10-124	127, 128	50-215F	146
012967-000	73	030742-000	49, 63	12-626	88, 116	50-216	147
021164-016	50, 65, 73, 98	030742-001	49, 63	1208	145	50-217	147
022104-000-30	50, 64	030742-002	49, 63	1387	50, 64	50-219	147
022105-000-30	50, 64	030744-000	49, 63	1388	64	50-232F	146
022106-002-55	50, 64	030744-001	49, 63	1389	142	5075	89, 117
022108-000-60	50, 64	030744-002	49, 63	1390	145	5620-IC	144
022112-000-30	50, 64	030755-005-30	50, 65	1391	145	5620-STD	142
022175-000-30	144	030787-000-70	64	1392	145	5621-IC	144
022175-001-30	144	030831-004-30	50, 65	1393	145	5621-STD	142
022175-002-30	144	030926-001	63	1396	142	5622-IC	144
022258-007	73	030926-002	49, 63	1397	144	5622-STD	142
022258-008	73	030926-003	49, 63	1398	145	60-000	146
022258-009	73	030927-001	63	1400	145	60-001	146
022290-007	73	030927-002	49, 63	1401	145	61-500	90, 119
022920-000	73	030927-003	49, 63	1402	145	61-501	90, 119
022950-007	73	030928-001	63	1403	145	61-502	90, 119
022950-008	73	030928-002	49, 63	1404	145	61-503	90, 119
022953-007	73	030928-003	49, 63	1405	145	61-504	119
022980-007	73	030929-001	63	1407	145	61-505	119
022980-008	73	030929-002	49, 63	1411	145	61-506	119
022980-009	73	030929-003	49, 63	1414	145	61-507	90, 119
022981-007	73	030930-001	63	1415	145	61-509	116, 143
022986-001-50	50, 64	030930-002	49, 63	1416	143	61-510	116, 143
024030-000	73	030930-003	49, 63	1417	143	855101	157
024416-012	50, 65, 73, 98	030996-001	63	1418	143	855118	157
030057-002	35	030996-002	49, 63	1421	143	945	132
030113-000-60	143	030996-003	49, 63	1453	143	950	132
030166-T10-30	143	031034-000-30	145	1453-1	143	951	132
030166-T15-30	143	031100-000-30	143	1453-2	143	954	132
030166-T20-30	143	031452-000	49	24483760	61	973	132
030425-000-60	145	031511-000-30	50, 64	250	132	974	132
030480-004-00	142	031514-000-30	50, 64	251	132	984D	132
030654-000-625	64	031515-004-30	65	252	132	985	132
030654-000-626	64	031516-000-70	64	253	132	985D	132
030703-000-30	50, 64	031519-000-30	50	330055	139	985T	132
030704-002-30	50, 64	031531-006-30	65	330278	139	986	132
030706-002	63	031533-006-30	50, 65	35-057	143	986T	132
030709-000-60	50, 64	031541-006-30	50			987	132
		031700-002	97			988	132
		031701-002	97			990	132

# Product Index - Locks

Part No.	Page	Part No.	Page	Part No.	Page	Part No.	Page
992.....	132	A12667-020-00.....	144	A23160-4.....	134	A23169-11.....	136
A02750-000-00.....	143	A12667-03A-00.....	144	A23160-5.....	134	A23169-12.....	136
A03039-000-00.....	143	A12689-000-00.....	144	A23160-6.....	134	A23169-13.....	136
A03519-000.....	73	A12698-000-00.....	144	A23160-7.....	134	A23169-2.....	136
A08350-000-00.....	142	A20065-000-00.....	142	A23160-8.....	134	A23169-3.....	136
A08355-000-00.....	142	A20069-000-00.....	142	A23161.....	72, 133	A23169-4.....	136
A08395-000-00.....	142	A20278-000-00.....	144	A23161-01.....	133	A23169-5.....	136
A08552-000-00.....	143	A22164-000-00.....	142	A23161-02.....	72, 133	A23169-6.....	136
A08553-00X-00.....	143	A22164-001-00.....	142	A23161-03.....	72, 133	A23169-7.....	136
A08554-000-00.....	143	A22164-002-00.....	142	A23161-05.....	47, 57,	A23169-8.....	136
A08556-000-00.....	143	A22164-003-00.....	142		133	A23171-01.....	72, 133
A08580-00X-00.....	143	A22169-000-00.....	142	A23161-06.....	47, 57,	A23171-02.....	72, 133
A08790-000.....	143	A22169-002-00.....	142		95, 133	A23171-05.....	47, 57,
A08790-001.....	143	A23151.....	72, 133	A23161-07.....	47, 57,		133
A08790-002.....	143	A23151-01.....	133		133	A23171-06.....	47, 57,
A08790-003.....	143	A23151-02.....	72, 133	A23162.....	72, 133		133
A08790-004.....	143	A23151-03.....	72, 133	A23162-02.....	72, 133	A23171-07.....	47, 57,
A08794-000.....	143	A23151-05.....	47, 57,	A23165.....	133		133
A08794-001.....	143		133	A23165-02.....	95, 133	A23172-02.....	72, 133
A08794-002.....	143	A23151-06.....	47, 57,	A23166.....	136	A23174.....	135
A08794-003.....	143		95, 133	A23166-1.....	136	A23174-1.....	135
A08867-000-00.....	142	A23151-07.....	47, 57,	A23166-10.....	136	A23174-10.....	135
A09888-000-00.....	142		133	A23166-11.....	136	A23174-11.....	135
A09890-000-00.....	142	A23152.....	72, 133	A23166-12.....	136	A23174-12.....	135
A09894-001-00.....	142	A23152-02.....	72, 133	A23166-13.....	136	A23174-13.....	135
A09894-002-00.....	142	A23155.....	133	A23166-2.....	136	A23174-2.....	135
A09894-003-00.....	142	A23155-02.....	95, 133	A23166-3.....	136	A23174-3.....	135
A09894-021-00.....	142	A23159-000.....	134	A23166-4.....	136	A23174-4.....	135
A09894-022-00.....	142	A23159-1.....	134	A23166-5.....	136	A23174-5.....	135
A09894-023-00.....	142	A23159-10.....	134	A23166-6.....	136	A23174-6.....	135
A09897-000-00.....	142	A23159-11.....	134	A23166-7.....	136	A23174-7.....	135
A09897-024-00.....	142	A23159-12.....	134	A23166-8.....	136	A23174-8.....	135
A09898-000-00.....	142	A23159-13.....	134	A23167.....	135	A24264-000-00.....	142
A09899-000-00.....	142	A23159-2.....	134	A23167-1.....	135	A28351-000-00.....	142
A12053-000-00.....	142	A23159-3.....	134	A23167-10.....	135	A30028.....	133
A12165-000-00.....	143	A23159-4.....	134	A23167-11.....	135	A30028-01.....	133
A12165-100-00.....	143	A23159-5.....	134	A23167-12.....	135	A30034-001-00.....	142
A12166-000-00.....	143	A23159-6.....	134	A23167-13.....	135	A30036-01.....	133
A12635-0xx-00.....	145	A23159-7.....	134	A23167-2.....	135	A30037-000-00.....	142
A12636-0xx-00.....	145	A23159-8.....	134	A23167-3.....	135	A30038-000-00.....	142
A12637-000-00.....	145	A23160-000.....	134	A23167-4.....	135	A30040.....	133
A12637-500-00.....	145	A23160-1.....	134	A23167-5.....	135	A30040-01.....	133
A12638-000-00.....	145	A23160-10.....	134	A23167-6.....	135	A30375-0xx-00.....	145
A12639-001-00.....	145	A23160-11.....	134	A23167-7.....	135	A30376-0xx-00.....	145
A12639-002-00.....	145	A23160-12.....	134	A23167-8.....	135	A30480-004-00.....	142
A12663-001-00.....	144	A23160-13.....	134	A23168.....	135	A30730-001-00.....	142
A12663-002-00.....	144	A23160-14.....	134	A23168-1.....	135	A30730-002-00.....	142
A12663-003-00.....	144	A23160-15.....	134	A23168-10.....	135	A30730-003-00.....	142
A12663-004-00.....	144	A23160-16.....	134	A23168-11.....	135	A30730-004-00.....	142
A12663-008-00.....	144	A23160-17.....	134	A23168-12.....	135	A30730-006-00.....	142
A12663-009-00.....	144	A23160-18.....	134	A23168-13.....	135	A30746-000-00.....	50, 64
A12664-010-00.....	144	A23160-19.....	134	A23168-2.....	135	A30747-000-00.....	50, 64
A12667-000-00.....	144	A23160-2.....	134	A23168-3.....	135	A30748-000-00.....	65
A12667-001-00.....	144	A23160-20.....	134	A23168-4.....	135	A30748-001-00.....	65
A12667-002-00.....	144	A23160-21.....	134	A23168-5.....	135	A30749-060-00.....	50, 64
A12667-003-00.....	144	A23160-22.....	134	A23168-6.....	135	A30749-070-00.....	50, 64
A12667-006-00.....	144	A23160-23.....	134	A23168-7.....	135	A30753-00.....	49, 63
A12667-007-00.....	144	A23160-24.....	134	A23168-8.....	135	A30753-01.....	49, 63
A12667-008-00.....	144	A23160-25.....	134	A23169.....	136	A30756-000-00.....	65
A12667-011-00.....	144	A23160-26.....	134	A23169-1.....	136	A30756-001-00.....	65
A12667-013-00.....	144	A23160-3.....	134	A23169-10.....	136	A30758-000-00.....	65



Part No.	Page	Part No.	Page	Part No.	Page	Part No.	Page
A30758-001-00	65	A7807-xx	34	B520-651	142	KZ11G20	154
A30759-000-00	65	A7808-xx	34	B520-652	142	KZ12D20	154
A30759-001-00	65	A7809-xx	34	B600-018	88, 116	KZ12D40	154
A30760-000-00	65	A7813-xx	34	B600-045	142	KZ12G10	154
A30760-001-00	65	A7814-xx	34	B600-046	142	KZ12G20	154
A30761-000-00	65	A7815-xx	34	B600-047	90, 118	KZ12G40	154
A30765-000-00	65	A7816-xx	34	B600-053	90, 118	KZ13D20	154
A30767-000-00	65	A7819-xx	34	B600-066	90, 118	KZ13D40	154
A30767-001-00	65	A7820-xx	34	B600-071	142	KZ13F20	154
A30769-000-00	65	A7821-xx	34	B600-078	90, 118	KZ13F40	154
A30769-001-00	65	A7822-xx	34	B600-100	90, 118	M204-198	64
A30773-000-00	65	A7829-xx	34	B600-101	90, 118	PE1396	35
A30773-001-00	65	A7830-xx	34	C603-897	90, 118	Q001-055	144
A30775-000-00	64	A7831-xx	34	E77012-IB	35	Q005-085	107
A30780-000-00	64	A7851-12-xx	34	E77012-IC	35	Q033-026	107
A30780-001-00	64	A7851-12RX-xx	34	E77012-IK	35	Q033-066	134
A30905-001-00	50	A7851-24-xx	34	E77012-IP	35	Q033-067	134
A30905-060-00	50	A7851-24RX-xx	34	E77300	35	Q033-069	134
A30906-001-00	64	A7881-12-xx	34	E77301	35	Q033-070	134
A30906-060-00	64	A7881-12RX-xx	34	E77302	35	Q033-071	134
A30906-070-00	50, 64	A7881-24-xx	34	E77303	35	Q033-072	135
A30913-000-00	50, 64	A7881-24RX-xx	34	E77306	35	Q033-073	135
A30913-001-00	50, 64	AE55012-OC	34	E77307	35	Q033-074	135
A30915-000-00	64	AE55012-OT	34	J250-028	89, 90, 117, 118	Q033-075	136
A30915-001-00	64	AE77012-IE	35	KB525	139	Q033-076	136
A31517-000-00	65	AE77012-IT	35	KB531	139	Q033-077	135
A31517-001-00	65	AE77012-OC	35	KB536	139	Q033-078	135
A31518-000-00	65	AE77012-OK	35	KB544	139	Q033-079	135
A31518-001-00	65	AE77012-OP	35	KB545	139	Q100-100	127, 128
A31544-00*	49	AE77012-OT	35	KB565	139	Q100-101	127, 128
A31544-00	63	AE77029-L/RH	34	KB566	139	Q100-102	128
A31706-000-00	97	AE77140-L/RH	34	KB567	139	Q100-104	133
A31707-000-00	97	AE77280-L/RH	34	KB573	139	Q100-105	133
A31707-002-00	97	AE77310-L/RH	34	KB574	139	Q100-108	134
A31708-000	97	AE77321-L/RH	34	KB577	139	Q330-041	127, 128
A31708-001	97	AE77360-L/RH	34	KB578	139	Q330-152	105, 134
A31708-002	97	AE77526-L/RH	34	KB579	139	Q330-154	105, 133
A31708-003	97	AE77760-L/RH	34	KB580	139	Q330-156	136
A31709-000-00	97	AE87012-OC	35	KB581	139	Q330-158	135
A31709-001-00	97	AE87012-OK	35	KB582	139	Q330-160	136
A31714-000-00	97	AE87012-OT	35	KB584	139	Q330-164	107, 142
A31714-001-00	97	AE87012-IC	35	KB588	139	Q330-166	135
A31715-000-00	97	AS5813	35	KB590	139	Q330-168	107, 144
A31715-001-00	97	AS75319	34	KB591	139	Q330-169	107, 144
A31716-000-00	97	AS76029-L/RH	34	KB592	139	Q330-170	107
A31716-001-00	97	AS76140-L/RH	34	KB593	139	Q330-175	116, 128
A31739-000	97	AS76280-L/RH	34	KB751	139	Q330-176	88
A31739-001	97	AS76310-L/RH	34	KB761	139	Q330-177	116, 128
A31750-000	97	AS76319	34	KB771	139	Q330-178	88
A31750-001	97	AS76321-L/RH	34	KB794	139	Q330-179	107
A31751-000	97	AS76360-L/RH	34	KB797	139	Q330-182	107
A31751-001	97	AS76526-L/RH	34	KB799	139	Q330-210	135
A31764-000	97	AS76760-L/RH	34	KB905	139	Q330-215	139
A31767-000	98	AS76853	34	KB906	139	Q330-237	134
A48553-00X-00	143	B202-578	129	KB907	139	Q330-238	133
A48580-00X-00	143	B302-041	88, 116	KS11D1200	153	Q330-239	136
A7801-xx	34	B302-045	88, 116	KS11F1200	153	Q330-240	135
A7802-xx	34	B502-873	129	KS21D1200	153	Q330-241	135
A7804-xx	34	B520-298	90, 118	KS21F1200	153	Q330-242	135
A7805-xx	34	B520-649	89, 117	KS41D1200	153	Q330-243	136
A7806-xx	34	B520-650	89, 117	KS41F1200	153		

# Product Index - Locks

LOCKS

Product Index

Part No.	Page	Part No.	Page	Part No.	Page	Part No.	Page
Q330-245.....	134	Q330-430 LAT.....	63	Q500-064.....	87, 133	S76306.....	35
Q330-245-5.....	134	Q330-430 LON.....	63	Q500-065.....	133	S76307.....	35
Q330-246.....	133	Q330-431 BRK.....	63	Q500-065-5C.....	134	S76802.....	35
Q330-247.....	136	Q330-431 BRW.....	63	Q500-066.....	87, 133	S76806.....	35
Q330-248.....	135	Q330-431 LAT.....	63	Q500-067.....	115, 133	S76816.....	35
Q330-249.....	135	Q330-431 LON.....	63	Q500-069.....	115, 133		
Q330-250.....	135	Q330-432 BRK.....	63	Q500-070.....	87, 133		
Q330-251.....	136	Q330-432 BRW.....	63	Q500-071-5C.....	134		
Q330-253.....	116	Q330-432 LAT.....	63	Q500-072.....	115, 133		
Q330-254.....	116	Q330-432 LON.....	63	Q630-246.....	80		
Q330-256.....	88	Q330-433 BRK.....	63	Q630-254.....	80		
Q330-257.....	88	Q330-433 BRW.....	63	Q630-276.....	80		
Q330-270.....	64	Q330-433 LAT.....	63	Q630-277.....	80		
Q330-271.....	64	Q330-433 LON.....	63	Q630-278.....	80		
Q330-272.....	50	Q330-447.....	107	Q630-279.....	80		
Q330-273.....	50	Q330-448.....	107	Q630-288.....	80		
Q330-276.....	139	Q500-010.....	115, 133	Q630-289.....	80		
Q330-282.....	107	Q500-012.....	115, 133	Q630-306.....	78		
Q330-310.....	78	Q500-014.....	115, 133	Q630-312.....	80		
Q330-311.....	78	Q500-021.....	87, 133	R525-256.....	90, 118		
Q330-391.....	78	Q500-022.....	133	S206-504.....	129		
Q330-392.....	80	Q500-046.....	87, 133	S206-505.....	129		
Q330-393.....	80	Q500-047.....	133	S206-506.....	129		
Q330-394.....	80	Q500-054.....	87, 133	S76012.....	34		
Q330-396.....	78	Q500-055.....	133	S76206.....	35		
Q330-397.....	78	Q500-056.....	115, 133	S76300.....	35		
Q330-399.....	80	Q500-057.....	115, 133	S76301.....	35		
Q330-430 BRK.....	63	Q500-058.....	87, 133	S76302.....	35		
Q330-430 BRW.....	63	Q500-059.....	87, 133	S76303.....	35		

<b>Finishes</b> .....	164
<b>General Exit Device Information</b> .....	164
<b>Factors Affecting Exit Devices</b> .....	165
<b>New Nomenclature Conversion Chart</b> .....	166
<b>How to Order</b> .....	167

## Exit Devices

### Pushpad Architectural Heavy Duty

25-R Series .....	170-171
25-V Series .....	172-173
25-M Series .....	174-175
25-C Series .....	176-177
25-C-WDC Series .....	178-179
25 Series Device Options .....	180-181
25 Series Trims .....	182
25 Series Device Accessories .....	182-185
25 Series Device and Trim Parts .....	186-190
24-V Series .....	208-209
24-C Series .....	210-211
24-C-CWDC Series .....	212-213
24 Series Device Options .....	214
24 Series Trims .....	215
24 Series Device Accessories .....	216-219
24 Series Device and Trim Parts .....	220-223

### Pushpad Commercial Medium Duty

19-R Series .....	236-237
19-V Series .....	238
19-V Series .....	239
19 Series Device Options .....	240
19 Series Trims .....	241
19 Series Device Accessories .....	242-244
19 Series Device and Trim Parts .....	245-246

20 Series Devices and Trims .....	254
-----------------------------------	-----

1490 Series and Device Options/Accessories .....	255-256
1590 Series and Device Options/Accessories .....	257-258
1490/1590 Device Parts .....	259

1690 Series and Device Options/Accessories .....	267-268
1690 Device Parts .....	269

1790 Series and Device Options/Accessories .....	272-273
1790 Device Parts .....	274

### Crossbar Narrow Stile **276**

1990 Series and Device Options/Accessories .....	276-277
1990 Device Parts .....	278
2090 Series and Device Options/Accessories .....	282-283
2090 Device Parts .....	284

### Recessed Concealed Vertical Mid-Panel **288**

2390 Series and Device Options/Accessories .....	288
2390 Device Parts .....	290

### Exit Device Accessories **294**

Mullions and Mullion Parts .....	294
Mullion Parts .....	295
Sex Bolts .....	295
Delayed Egress .....	295

Numerical Index .....	296-298
-----------------------	---------

Prices subject to change without notice

# Exit Device Finishes

US	BHMA	Finish Color Description
SP28	689	Silver Painted (Resembles Aluminum Finish)
P13/SP313	695	Dark Bronze Painted (Spray Duranodic)
P35	622	Flat Black Painted
US3	605/666	Brass, Polished
US4	606/667	Brass, Satin
US9	611/705	Bronze, Polished
US10	612/668	Bronze, Satin
US11	643e	Aged Bronze
US10B	613/703	Bronze, Oil-Rubbed Satin
US15	619/670	Nickel, Satin
US19	622	Flat Black Painted
US26	625/672	Chrome, Polished
US26D	626/702	Chrome, Satin
US32	629	Stainless Steel, Polished
US32D	630	Stainless Steel, Satin
US28	628	Anodized Aluminum, Clear (Satin)
DC13 / 313AN	710	Anodized Aluminum, Duranodic Dark Bronze
DC35	711	Anodized Aluminum, Flat Black
USP	600	Prime Coat

## REFERENCE NOTES:

- 1) Material substrate varies by device component, US and BHMA code used represents overall finish appearance of assembled device.
- 2) SP28 and SP313 contain certain exposed parts that are molded from black plastic material or black powder coated finish.
- 3) When split finish is desired, the finish listed first is understood to be the outside finish.
- 4) See specific device pages for available finishes by device.

## General Information (Specific to the Falcon 19, 24, and 25 series exit devices)

All products listed meet ANSI A156.3 Grade 1 standard.

Devices will be furnished for hollow metal doors 3'0" x 7'0" x 1-3/4" full flush, with 5/8" high frame stops unless specified otherwise.

### DOOR WIDTHS

**EXIT DEVICES** for door widths exceeding 4'0" are custom applications. Specify the exact door width and consult factory for price and availability. For device widths on narrow stile aluminum and glass doors, consult factory.

### DOOR THICKNESS

EXIT DEVICES are furnished at prices listed for door thicknesses of 1 3/4" with standard centerlines. Other door thicknesses and/or offset installations may require additional charges for the device, trim, control and/or strike. Consult factory.

### DOOR HEIGHTS/DEVICE CENTERLINE

**SURFACE** and **CONCEALED VERTICAL ROD DEVICES** for heights over 7'0" up to 8'0", extension rods are furnished at no additional charge. For heights over 8'0" up to 10'0" extension rods are furnished at prices shown on specific device parts pages. For doors higher than 10'0" or when centerline is other than standard, specify exact height. Consult factory for price.

### 86 OR 161 DOOR PREPARATIONS

When devices will apply over a 86 or 161 door preparation, consult factory.

### DEVICE MOUNTING SCREWS

Machine screws are furnished with Fire Exit Devices. Sheet metal screws are furnished with Panic Devices. Machine screws can be substituted at no additional charge, specify AMS.

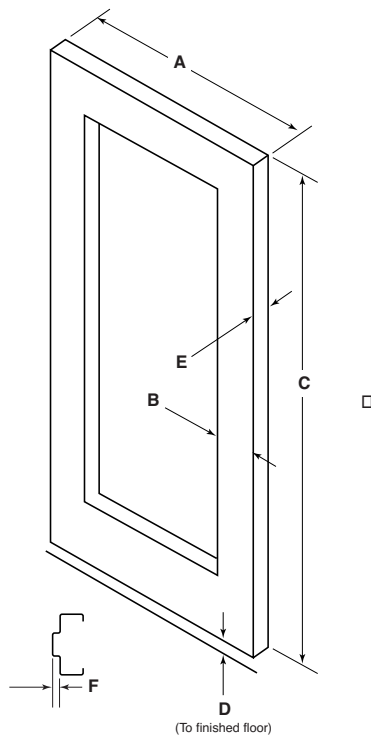
### SUBSTITUTION OF OUTSIDE TRIM OR STRIKES

When other than standard is desired, deduct price of standard and add price of item used. Check catalog for compatibility. Lever trim is furnished standard Dane. Optional lever designs of Avalon, Quantum, and Sutro are available at no additional charge.

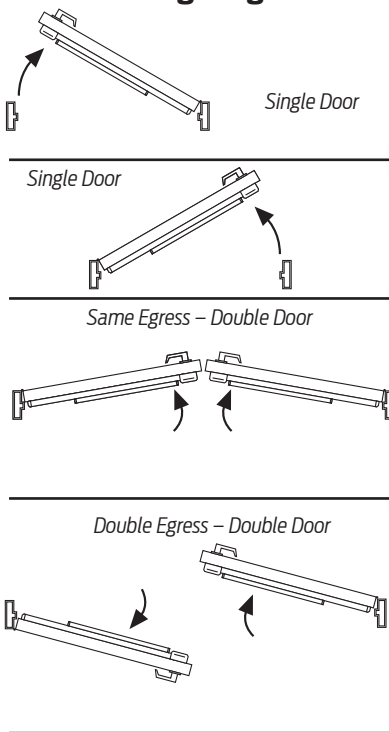
### ELECTRIC ACCESSORIES

When specifying Electrical Products, consult catalog or factory to ensure all coordinating accessories have been considered. All electric devices must use respective power supply for warranty to apply.

Prices subject to change without notice



## Handing Diagrams



### A Door Width

Specify exact door width. This determines what size device is supplied. If door width not specified, 3' is furnished standard.

### B Stile Width

Determines which series can be used because of the dimension of the active or inactive case. In conjunction with the door width, the width of the device is also affected.

### C Door Height

Rod lengths and extension rod requirements for surface vertical or concealed vertical rod devices are determined by height.

### D Undercut

Bottom rods and bottom latches or bolts for vertical rod applications are affected by the distance between the bottom of the door and the surface to which the strike will apply; 1/4" minimum, 3/4" maximum.

### E Thickness

When trim is used with a device it is affected by thickness as is the length of fasteners and cylinders.

### F Stop Height

The type of strike and affect on backsets is determined by the stop (5/8" standard)

### Glass Bead

In the case of touch bar devices, series 19, 24 and 25, glazing bead or trim can interfere with the device requiring shim kits with modified trim and/or device.

### Fire Labels

As a component of a fire door assembly, exit devices must meet special requirements.

### Other

Factors such as transom panels, sill conditions and astragals can affect exit device selection.

### Pairs

When devices will occur on paired door leaves, order them together.

### Materials

Unusual door or frame materials can affect device selection such as channel iron frames, blade stop frames, hollow core doors and mineral core doors.

# Conversion Table

## 17 Series to 24 Series

Old	New	Trim
(F)17-R	(F)24-R	No Change
(F)17-V	(F)24-V	No Change
(F)17-C	(F)24-C	No Change
(F)17-C-WDC	(F)24-C-WDC	No Change

## 18 Series to 25 Series

Old	New	Trim
(F)18-R	(F)25-R	See Below
(F)18-V	(F)25-V	See Below
(F)18-C	(F)25-C	See Below
(F)18-C-WDC	(F)25-C-WDC	See Below
(F)18-M	(F)25-M	See Below

## 18 Series to 25 Series Trim

Old	Old Trim	New	Old	Old Trim	New
812L	Lever Trim	510L	810TP	Apollo	512TP
812L-NL	Lever Trim	510L-NL	810NL	Apollo	512NL
812L-DT	Lever Trim	510L-DT	810DT	Apollo	512DT
812L-BE	Lever Trim	510L-BE	810TP-BE	Apollo	512TP-BE
816L	Vandal Resistant	511L	811K	Knob	513K
820TP	Vanguard	512TP	811K-NL	Knob	513K-NL
820NL	Vanguard	512NL	811K-DT	Knob	513K-DT
820DT	Vanguard	512DT	811K-BE	Knob	513K-BE
820TP-BE	Vanguard	512TP-BE	717DT	Delta	717DT
				Key in Lever	Discontinued

## 17/18 Strikes to 24/25 Strikes

Old	New	24 Series	25 Series	Comments
F490	299	X	X	Need 650106 retrofit kit for existing prep
F490	299F	X	X	Need 650106 retrofit kit for existing prep
565	1439	X	X	
F570	299	X	X	Need 650106 retrofit kit for existing prep
F570	299F	X	X	Need 650106 retrofit kit for existing prep
571	1609	X	X	
579	1606	Not recommended	X	
No Equivalent	499F	Not offered	X	
No Equivalent	264	X	X	

## 19 Series Trim Changes

Old	New	Trim/Control	Old	New	Trim/Control
1953DT	920DT	Trident	1910L-NL	912L-NL-Dane	Control
1955P	920NL	Trident	1920L LS/LK	912L-BE-Dane	Control
1904 PULL ONLY	917DT	Centron	1980L-DT	912L-DT-Dane	Control
2301BE	930EO	Centron	1919L	912L-Quantum	Control
2303DT	930DT	Centron	1919L-NL	912L-NL-Quantum	Control
2302C	930C	Centron	1929L LS/LK	912L-BE-Quantum	Control
2305P	930NL	Centron	1989L-DT	912L-DT-Quantum	Control
1907K	911K	Control	1912L	912L-Sutro	Control
1907K-NL	911K-NL	Control	1912L-NL	912L-NL-Sutro	Control
1927K LS/LK	911K-BE	Control	1922L-BE	912L-BE-Sutro	Control
1937K-DT	911K-DT	Control	1982L-DT	912L-DT-Sutro	Control
1911L	912L	Control	2400KIL w/IC Core	914KIL-IC	Key in Lever
1911L-NL	912L-NL	Control	2400KIL	914KIL-KD	Key in Lever
1921L LS/LK	912L-BE	Control	2401KIL LS/LK	914KIL-BE	Key in Lever
1981LDT	912L-DT	Control	2402KIL-NL	914KIL-NL-KD	Key in Lever
1910L	912L-Dane	Control			

Prices subject to change without notice

## How to Order Sequence Example

**MEL F 25 V L-DANE US3 3' LHR LBR SNB WD**

### Prefixes

<b>AX</b>	Accessible Device (25 and 19 Series Only)
<b>CD</b>	Cylinder Dogging
<b>LD</b>	Less Dogging
<b>RX</b>	Touchbar Request to Exit
<b>DM</b>	Latchbolt Monitor Switch - when fully extended
<b>LM</b>	Latchbolt Monitor Switch - when fully retracted
<b>KOR</b>	Key Bypass Switch
<b>EL</b>	Electric Latch Retraction
<b>MEL</b>	Motorized Electric Latch Retraction
<b>FSA</b>	Electric Lock or Unlock Trim-Fail Safe (25 Series Only)
<b>FSE</b>	Electric Lock or Unlock Trim-Fail Secure (25 Series Only)
<b>EA</b>	Exit Alarm

### Rating

<b>F</b>	Fire Exit Hardware
<b>Blank</b>	Panic Exit Hardware

### Device Series

<b>19</b>	Touch Bar Device, Narrow Stile
<b>24</b>	Touch Bar Device, Narrow Stile
<b>25</b>	Touch Bar Device

### Device Type

<b>R</b>	Rim	<b>C</b>	Concealed Vertical rod
<b>V</b>	Surface Vertical Rod	<b>C-WDC</b>	Concealed Vertical rod Wood Door
<b>M</b>	Mortise		

### Trim Function (see Trim pages for all functions)

<b>EO</b>	Exit Only	<b>K</b>	Knob
<b>DT</b>	Dummy Trim	<b>L</b>	Lever (Dane Standard)
<b>NL</b>	Night Latch	<b>TL</b>	Thumb Lever
<b>C</b>	Cylinder Trim Plate	<b>NL-OP</b>	Night Latch Pull by other
<b>TP</b>	Thumbpiece	<b>KIL</b>	Key in Lever

### Finish

<b>US3</b>	<b>US10</b>	<b>US15*</b>	<b>US26</b>	<b>US32</b>	<b>SP28</b>	
<b>US4</b>	<b>643E*</b>	<b>US19*</b>	<b>US26D</b>	<b>US32D</b>	<b>SP313</b>	<b>313AN</b>

### Door Width

<b>3'</b>	Standard Default
<b>4'</b>	
<b>2' (less label)</b>	

### Door Thickness

<b>1-3/4"</b>	Standard
<b>2-1/4"</b>	Optional

### Handing

<b>RHR</b>	Right Hand Reverse
<b>LHR</b>	Left Hand Reverse

### Less Bottom Rod

<b>LBR</b>	Less Bottom Rod
<b>LBR-AFL</b>	LBR w/Auxiliary Fire Pin

### Accessories

<b>CYL</b>	Cylinder	<b>SNB</b>	Sex Bolts	<b>AMS</b>	All Machine Screws
<b>SK</b>	Shim Kit	<b>SLM</b>	SLM Blocking		

### Other Miscellaneous Door Information

<b>HMD</b>	Hollow Metal Door	<b>SCDC</b>	Steel Channel Door Construction	-	Door Label (20 min, 45 min, 90 min 1-1/2 hr)
<b>HMF</b>	Hollow Metal Frame	-	Specify other Door or Frame	-	Stile Width
<b>WD</b>	Wood Door	-	Material information	-	Frame Stop Height
<b>WDF</b>	Wood Frame	-	Door Height	<b>SGL</b>	Single Door
<b>ALD</b>	Aluminum Door	-	Door Thickness	<b>PR</b>	Pair of Doors Swinging Same Direction
<b>ALF</b>	Aluminum Frame	-	Door Undercut	<b>DE</b>	Double Egress Doors
<b>CPD</b>	Composite Door	-		<b>CON</b>	Allegion Connect

\*643E, US15 and US19 are available on select 24 and 25 Series

Not all options are available on all series, consult customer service.

**For Special Order Product Quotes: Email: [vdj\\_specials@allegion.com](mailto:vdj_specials@allegion.com) Fax: 1-877-730-6248**

Prices subject to change without notice



# Trim - How to Order

## How to Order Sequence Example

				510	L - R	US26D	LHR	SUTRO	FSE	CYL
<b>Trim Series</b>										
D24 Series	D25 Series	19 Series	XX Series							
711	510	911	711							
712	511	912	712							
715	512	914	717							
717	513	917	718							
718	717	918	810							
	718	920	811							
		930	812							
			815							
			816							
			820							
<b>Trim Function</b> (see Trim pages for all functions)										
EO	Exit Only									
DT	Dummy Trim									
NL	Night Latch									
C	Cylinder Trim Less Pull									
TP	Thumbpiece									
K	Knob									
L	Lever (Dane Standard)									
KIL	Key in Lever									
TL	Thumb Lever									
<b>Device Type</b>										
R	Rim									
V	Surface Vertical Rod									
M	Mortise									
C	Concealed Vertical Rod (includes WDC)									
<b>Finish</b>										
US3	US10	643E*	US19*	US26D	SP313					
US4	US10B	US15*	US26	SP28	US32	US32D				
<b>Handing</b>										
RHR	Right Hand Reverse									
LHR	Left Hand Reverse									
<b>Lever Style</b>										
DANE	(DAN) supplied standard if not specified			BROADWAY	(BRW)* (available on 24 and 25 Series only)					
SUTRO	(SUT)			DANISH	(DSH)* (available on 24 and 25 Series only)					
QUANTUM	(QUA)			LATITUDE	(LAT)* (available on 24 and 25 Series only)					
AVALON	(AVA) (available on 24, 25 and xx Series only)			LONGITUDE	(LON)* (available on 24 and 25 Series only)					
BOARDWALK	(BRK)* (available on 24 and 25 Series only)									
<b>Trim Options</b>										
FSA	Electric Lock or Unlock-Fail Safe (FSA device required)									
FSE	Electric Lock or Unlock-Fail Secure (FSE device required)									
CON	Allegion Connect									
<b>Other Information or Accessories</b>										
CYL	Include Cylinder with Trim									
KD	Cylinder Keyed Different									
<b>Door Thickness</b>										
Specify door thickness other than 1-3/4"										

\*New finishes and levers are available on select 24 and 25 Series.

Prices subject to change without notice



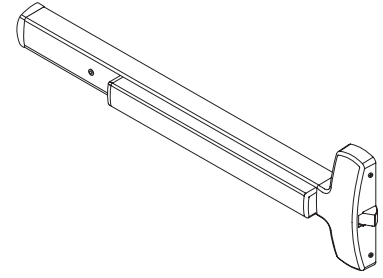
## **Discount Policy on Von Duprin and Falcon Common Products and Parts:**

---

- Von Duprin discount applies on products and parts, such as power supplies, power transfers, and other parts or accessories common to both brands.
- Customers not open to Von Duprin product will receive a minimum buying program with a 50% multiplier.

Prices subject to change without notice

3' Devices are priced with standard trim and strike, 4' add \$21 list.  
Cylinders are not included in the price.



**EXIT HARDWARE**

**Rim Devices**

(Price includes 299 Strike)

	Trim/Control	US28	US32D	313AN	US19* US26D	US26	US32	US10	US4	US3 643E* US15*
* 25-R-EO		1017	1267	1079	1240	1290	1316	1290	1316	1451
* 25-R-NL-OP	(Supplied as NL less trim)	1017	1267	1079	1240	1290	1316	1290	1316	1451
<b>Lever - Dane (handed and field reversible)</b>										
* 25-R-L	510L*	1396	1714	1458	1687	1746	1772	1669	1695	1907
* 25-R-L-BE	510L-BE*	1396	1714	1458	1687	1746	1772	1669	1695	1907
* 25-R-L-NL	510L-NL*	1321	1625	1383	1598	1708	1734	1594	1620	1869
* 25-R-L-DT	510L-DT*	1321	1625	1383	1598	1708	1734	1594	1620	1869
<b>VR Lever (handed and field reversible)</b>										
* 25-R-L	511L*	1464	1778	1526	1751	1810	1836	1737	1763	1971
<b>Thumbpiece (non-handed)</b>										
25-R-TP	512TP	1356	1641	1418	1614	1729	1755	1629	1655	1890
25-R-TP-BE	512TP-BE	1356	1641	1418	1614	1729	1755	1629	1655	1890
* 25-R-NL	512-NL*	1293	1567	1355	1540	1644	1670	1566	1592	1805
<b>Knob (non-handed)</b>										
25-R-K	513K	1304	1602	1366	1575	1683	1709	1577	1603	1844
25-R-K-BE	513K-BE	1304	1602	1366	1575	1683	1709	1577	1603	1844
25-R-K-NL	513K-NL	1304	1602	1366	1575	1683	1709	1577	1603	1844
25-R-K-DT	513K-DT	1304	1602	1366	1575	1683	1709	1577	1603	1844
<b>DT Pull (717 handed and field reversible, 512 non-handed)</b>										
25-R-DT	717DT	1226	1567	1336	1540	1590	1616	1499	1525	1751
25-R-DT	512DT	1248	1500	1310	1473	1644	1670	1521	1547	1805

\* These devices and 510L, 510L-BE, 510L-NL, 510L-DT, 511L, 512NL trims are available in 643E, US15, and US19 finishes.

**REFERENCE NOTES:**

25 Series ordered in 313AN will be supplied with trims in SP313.

**Handing:** 25-R Device is non-handed. Trims are furnished RHR when handing is not specified.

**Sex Bolts:**

Optional Sex Bolts are recommended for center case mounting when device is used with hollow core wood, composite or light gauge hollow metal doors. See chart below for quantities and list prices.

Application	Sex Bolt 425 (Optional)	List Add
Hollow core wood, composite, or light gauge hollow metal doors - EO (exit only device)	8	128
Hollow core wood, composite, or light gauge hollow metal doors - Device x Trim	4	64

Prices subject to change without notice

EXITS

Pushpads

Architectural /  
Heavy Duty

25 Series

**3' Devices are priced with standard trim and strike, 4' add \$21 list.  
Cylinders are not included in the price.**

**FIRE EXIT HARDWARE**

**Rim Devices**

(Price includes 299F Strike)

	Trim/Control	US28	US32D	313AN	US19* US26D	US26	US32	US10	US4	US3 643E* US15*
* F-25-R-EO		1254	1504	1316	1477	1527	1553	1527	1553	1688
* F-25-R-NL-OP	(Supplied as NL less trim)	1254	1504	1316	1477	1527	1553	1527	1553	1688
<b>Lever - Dane (handed and field reversible)</b>										
* F-25-R-L	510L*	1633	1951	1695	1924	1983	2009	1906	1932	2144
* F-25-R-L-BE	510L-BE*	1633	1951	1695	1924	1983	2009	1906	1932	2144
* F-25-R-L-NL	510L-NL*	1558	1862	1620	1835	1945	1971	1831	1857	2106
* F-25-R-L-DT	510L-DT*	1558	1862	1620	1835	1945	1971	1831	1857	2106
<b>VR Lever (handed and field reversible)</b>										
* F-25-R-L	511L*	1701	2015	1763	1988	2047	2073	1974	2000	2208
<b>Thumbpiece (non-handed)</b>										
F-25-R-TP	512TP	1593	1878	1655	1851	1966	1992	1866	1892	2127
F-25-R-TP-BE	512TP-BE	1593	1878	1655	1851	1966	1992	1866	1892	2127
* F-25-R-NL	512-NL*	1530	1804	1592	1777	1881	1907	1803	1829	2042
<b>Knob (non-handed)</b>										
F-25-R-K	513K	1541	1839	1603	1812	1920	1946	1814	1840	2081
F-25-R-K-BE	513K-BE	1541	1839	1603	1812	1920	1946	1814	1840	2081
F-25-R-K-NL	513K-NL	1541	1839	1603	1812	1920	1946	1814	1840	2081
F-25-R-K-DT	513K-DT	1541	1839	1603	1812	1920	1946	1814	1840	2081
<b>DT Pull (717 handed and field reversible, 512 non-handed)</b>										
F-25-R-DT	717DT	1463	1804	1573	1777	1827	1853	1736	1762	1988
F-25-R-DT	512DT	1485	1737	1547	1710	1881	1907	1758	1784	2042

\* These devices and 510L, 510L-BE, 510L-NL, 510L-DT, 511L, 512NL trims are available in 643E, US15, and US19 finishes.

**REFERENCE NOTES:**

25 Series ordered in 313AN will be supplied with trims in SP313.

**Handing:** F-25-R Device is non-handed. Trims are furnished RHR when handing is not specified.

**Sex Bolts:**

Sex Bolts are supplied for center case mounting when device is used with wood, composite or non-reinforced hollow metal doors. See chart below for quantities.

Application	Sex Bolt 425 (Supplied)
Wood, composite or non-reinforced hollow metal doors - <b>EO (exit only device)</b>	8
Wood, composite or non-reinforced hollow metal doors - <b>Device x Trim</b>	4

Prices subject to change without notice

**EXITS**  
  
 Pushpads  
  
 Architectural /  
 Heavy Duty  
  
 25 Series

3' Devices are priced with standard trim and strikes, 4' add \$21 list and 2' (less label) add \$130 list. Cylinders are not included in the price.

**EXIT HARDWARE**  
**Surface Vertical Rod Devices**  
 (Includes 3788 & 2130 Strikes)

Trim/Control	US28	US32D	313AN	US19* US26D	US26	US32	US10	US4	US3 643E* US15*
* 25-V-EO	1478	1852	1570	1803	1879	1916	1879	1916	2024
* 25-V-NL-OP (Supplied as NL less trim)	1478	1852	1570	1803	1879	1916	1879	1916	2024
<b>Lever - Dane (handed and field reversible)</b>									
* 25-V-L 510L*	1857	2299	1949	2250	2335	2372	2258	2295	2480
*25-V-L-BE 510L-BE*	1857	2299	1949	2250	2335	2372	2258	2295	2480
* 25-V-L-NL 510L-NL*	1782	2210	1874	2161	2297	2334	2183	2220	2442
* 25-V-L-DT 510L-DT*	1782	2210	1874	2161	2297	2334	2183	2220	2442
<b>VR Lever (handed and field reversible)</b>									
* 25-V-L 511L*	1925	2363	2017	2314	2399	2436	2326	2363	2544
<b>Thumbpiece (non-handed)</b>									
25-V-TP 512TP	1817	2226	1909	2177	2318	2355	2218	2255	2463
25-V-TP-BE 512TP-BE	1817	2226	1909	2177	2318	2355	2218	2255	2463
* 25-V-NL 512-NL*	1754	2152	1846	2103	2233	2270	2155	2192	2378
<b>Knob (non-handed)</b>									
25-V-K 513K	1765	2187	1857	2138	2272	2309	2166	2203	2417
25-V-K-BE 513K-BE	1765	2187	1857	2138	2272	2309	2166	2203	2417
25-V-K-NL 513K-NL	1765	2187	1857	2138	2272	2309	2166	2203	2417
25-V-K-DT 513K-DT	1765	2187	1857	2138	2272	2309	2166	2203	2417
<b>DT Pull (717 handed and field reversible, 512 non-handed)</b>									
25-V-DT 717DT	1687	2152	1827	2103	2179	2216	2088	2125	2324
25-V-DT 512DT	1709	2085	1801	2036	2233	2270	2110	2147	2378

\* These devices and 510L, 510L-BE, 510L-NL, 510L-DT, 511L, 512NL trims are available in 643E, US15, and US19 finishes.

**REFERENCE NOTES:**

2' devices will have 10" touch pad

25 Series ordered in 313AN will be supplied with trims in SP313.

25-V Device ordered in US15 will be supplied with US32D Rod and Latch Cover.

**Handing:** The 25-V Device is handed and field reversible. Trims are furnished RHR when handing is not specified.

**Extension Rods:** For door heights over 7'0" up to 8'0", 12" extension rods are furnished at no additional charge at the time of device order.

For door heights over 8'0" up to 10'0" extension rods are furnished at prices shown in parts section with the device at the time of order.

MUST specify door height on order line.

**Sex Bolts:**

Optional Sex Bolts are recommended for center case and latch mounting when device is used with hollow core wood, composite or light gauge hollow metal doors. See chart below for quantities and list prices.

Application	Latches Sex Bolt 2729 (Optional)	Device Sex Bolt 425 (Optional)	List Add
Hollow core wood, composite or light gauge hollow metal doors - <b>EO (exit only device)</b>	6	6	174
Hollow core wood, composite or light gauge hollow metal doors - <b>Device x Trim</b>	6	2	110
Hollow core wood, composite or light gauge hollow metal doors - <b>EO (exit only device) LBR</b>	3	6	135
Hollow core wood, composite or light gauge hollow metal doors - <b>Device x Trim LBR</b>	3	2	71

Prices subject to change without notice

EXITS

Pushpads

Architectural /  
Heavy Duty

25 Series

**3' Devices are priced with standard trim and strikes, 4' add \$21 list and 2' (less label) add \$130 list. Cylinders are not included in the price.**

**FIRE EXIT HARDWARE**  
**Surface Vertical Rod Devices**  
 (Includes 3788 & 2130 Strikes)

	Trim/Control	US28	US32D	313AN	US19* US26D	US26	US32	US10	US4	US3 643E* US15*
* F-25-V-EO		1698	2072	1790	2023	2099	2136	2099	2136	2244
* F-25-V-NL-OP	(Supplied as NL less trim)	1698	2072	1790	2023	2099	2136	2099	2136	2244
<b>Lever - Dane (handed and field reversible)</b>										
* F-25-V-L	510L*	2077	2519	2169	2470	2555	2592	2478	2515	2700
* F-25-V-L-BE	510L-BE*	2077	2519	2169	2470	2555	2592	2478	2515	2700
* F-25-V-L-NL	510L-NL*	2002	2430	2094	2381	2517	2554	2403	2440	2662
* F-25-V-L-DT	510L-DT*	2002	2430	2094	2381	2517	2554	2403	2440	2662
<b>VR Lever (handed and field reversible)</b>										
* F-25-V-L	511L*	2145	2583	2237	2534	2619	2656	2546	2583	2764
<b>Thumbpiece (non-handed)</b>										
F-25-V-TP	512TP	2037	2446	2129	2397	2538	2575	2438	2475	2683
F-25-V-TP-BE	512TP-BE	2037	2446	2129	2397	2538	2575	2438	2475	2683
* F-25-V-NL	512-NL*	1974	2372	2066	2323	2453	2490	2375	2412	2598
<b>Knob (non-handed)</b>										
F-25-V-K	513K	1985	2407	2077	2358	2492	2529	2386	2423	2637
F-25-V-K-BE	513K-BE	1985	2407	2077	2358	2492	2529	2386	2423	2637
F-25-V-K-NL	513K-NL	1985	2407	2077	2358	2492	2529	2386	2423	2637
F-25-V-K-DT	513K-DT	1985	2407	2077	2358	2492	2529	2386	2423	2637
<b>DT Pull (717 handed and field reversible, 512 non-handed)</b>										
F-25-V-DT	717DT	1907	2372	2047	2323	2399	2436	2308	2345	2544
F-25-V-DT	512DT	1929	2305	2021	2256	2453	2490	2330	2367	2598

\* These devices and 510L, 510L-BE, 510L-NL, 510L-DT, 511L, 512NL trims are available in 643E, US15, and US19 finishes.

**REFERENCE NOTES:**

2' devices will have 10" touch pad

25 Series ordered in 313AN will be supplied with trims in SP313.

25-V Device ordered in US15 will be supplied with US32D Rod and Latch Cover.

**Handing:** The F-25-V Device is handed and field reversible. Trims are furnished RHR when handing is not specified.

**Extension Rods:** For door heights over 7'0" up to 8'0", 12" extension rods are furnished at no additional charge at the time of device order.

For door heights over 8'0" up to 10'0" extension rods are furnished at prices shown in parts section with the device at the time of order.

MUST specify door height on order line.

**Sex Bolts:**

Sex Bolts are supplied for center case mounting and latch mounting when device is used with wood, composite or non-reinforced hollow metal doors. See chart below for quantities.

Application	Latches Sex Bolt 2729 (Supplied)	Device Sex Bolt 425 (Supplied)
Wood, composite or non-reinforced hollow metal doors - <b>EO (exit only device)</b>	6	6
Wood, composite or non-reinforced hollow metal doors - <b>Device x Trim</b>	6	2
Wood, composite or non-reinforced hollow metal doors - <b>EO (exit only device) LBR</b>	3	6
Wood, composite or non-reinforced hollow metal doors - <b>Device x Trim LBR</b>	3	2

Prices subject to change without notice

**EXITS**  
  
 Pushpads  
  
 Architectural /  
 Heavy Duty  
  
 25 Series

3' Devices are priced with standard trim and strike, 4' add \$21 list.  
Cylinders are not included in the price.

**EXIT HARDWARE**  
**Mortise Lock Devices**  
(Includes 1279 Strike)

	Trim/Control	US28	US32D	313AN	US19* US26D	US26	US32	US10	US4	US3 643E* US15*
* 25-M-EO		1344	1676	1428	1644	1711	1743	1711	1745	1845
* 25-M-NL-OP	(Supplied as NL less trim)	1344	1676	1428	1644	1711	1743	1711	1745	1845
<b>Lever - Dane</b>										
* 25-M-L	510L*	1723	2123	1807	2091	2167	2199	2090	2124	2301
* 25-M-L-BE	510L-BE*	1723	2123	1807	2091	2167	2199	2090	2124	2301
* 25-M-L-NL	510L-NL*	1648	2034	1732	2002	2129	2161	2015	2049	2263
* 25-M-L-DT	510L-DT*	1648	2034	1732	2002	2129	2161	2015	2049	2263
<b>VR Lever</b>										
* 25-M-L	511L*	1791	2187	1875	2155	2231	2263	2158	2192	2365
<b>Thumbpiece</b>										
25-M-TP	512TP	1683	2050	1767	2018	2150	2182	2050	2084	2284
25-M-TP-BE	512TP-BE	1683	2050	1767	2018	2150	2182	2050	2084	2284
* 25-M-NL	512-NL*	1620	1976	1704	1944	2065	2097	1987	2021	2199
<b>Knob</b>										
25-M-K	513K	1631	2011	1715	1979	2104	2136	1998	2032	2238
25-M-K-BE	513K-BE	1631	2011	1715	1979	2104	2136	1998	2032	2238
25-M-K-NL	513K-NL	1631	2011	1715	1979	2104	2136	1998	2032	2238
25-M-K-DT	513K-DT	1631	2011	1715	1979	2104	2136	1998	2032	2238
<b>DT Pull</b>										
25-M-DT	717DT	1553	1976	1685	1944	2011	2043	1920	1954	2145
25-M-DT	512DT	1575	1909	1659	1877	2065	2097	1942	1976	2199

\* These devices and 510L, 510L-BE, 510L-NL, 510L-DT, 511L, 512NL trims are available in 643E, US15, and US19 finishes.

**REFERENCE NOTES:**

25 Series ordered in 313AN will be supplied with trims in SP313.

**Handing:** The 25-M Device is handed and not field reversible. Specify handing RHR or LHR.

**Sex Bolts:**

Optional Sex Bolts are recommended for center case and latch mounting when device is used with hollow core wood, composite or light gauge hollow metal doors. See chart below for quantities and list prices.

Application	Device Sex Bolt 425 (Optional)	List Add
Hollow core wood, composite or light gauge hollow metal doors - <b>EO (exit only device)</b>	6	96
Hollow core wood, composite or light gauge hollow metal doors - <b>Device x Trim</b>	2	32

Prices subject to change without notice

**3' Devices are priced with standard trim and strike, 4' add \$21 list.  
Cylinders are not included in the price.**

**FIRE EXIT HARDWARE**

**Mortise Lock Devices**  
(Includes 1279 Strike)

	Trim/Control	US28	US32D	313AN	US19* US26D	US26	US32	US10	US4	US3 643E* US15*
* F-25-M-EO		1564	1896	1648	1864	1931	1963	1931	1965	2065
* F-25-M-NL-OP	(Supplied as NL less trim)	1564	1896	1648	1864	1931	1963	1931	1965	2065
<b>Lever - Dane</b>										
* F-25-M-L	510L*	1943	2343	2027	2311	2387	2419	2310	2344	2521
* F-25-M-L-BE	510L-BE*	1943	2343	2027	2311	2387	2419	2310	2344	2521
* F-25-M-L-NL	510L-NL*	1868	2254	1952	2222	2349	2381	2235	2269	2483
* F-25-M-L-DT	510L-DT*	1868	2254	1952	2222	2349	2381	2235	2269	2483
<b>VR Lever</b>										
* F-25-M-L	511L*	2011	2407	2095	2375	2451	2483	2378	2412	2585
<b>Thumbpiece</b>										
F-25-M-TP	512TP	1903	2270	1987	2238	2370	2402	2270	2304	2504
F-25-M-TP-BE	512TP-BE	1903	2270	1987	2238	2370	2402	2270	2304	2504
* F-25-M-NL	512-NL*	1840	2196	1924	2164	2285	2317	2207	2241	2419
<b>Knob</b>										
F-25-M-K	513K	1851	2231	1935	2199	2324	2356	2218	2252	2458
F-25-M-K-BE	513K-BE	1851	2231	1935	2199	2324	2356	2218	2252	2458
F-25-M-K-NL	513K-NL	1851	2231	1935	2199	2324	2356	2218	2252	2458
F-25-M-K-DT	513K-DT	1851	2231	1935	2199	2324	2356	2218	2252	2458
<b>DT Pull</b>										
F-25-M-DT	717DT	1773	2196	1905	2164	2231	2263	2140	2174	2365
F-25-M-DT	512DT	1795	2129	1879	2097	2285	2317	2162	2196	2419

\* These devices and 510L, 510L-BE, 510L-NL, 510L-DT, 511L, 512NL trims are available in 643E, US15, and US19 finishes.

**REFERENCE NOTES:**

25 Series ordered in 313AN will be supplied with trims in SP313.

**Handing:** The F-25-M Device is handed and not field reversible. Specify handing RHR or LHR.

**Sex Bolts:**

Optional Sex Bolts are supplied for center case mounting when device is used with hollow core wood, composite or light gauge hollow metal doors. See chart below for quantities.

Application	Device Sex Bolt 425 (Supplied)
Hollow core wood, composite or light gauge hollow metal doors - EO (exit only device)	6
Hollow core wood, composite or light gauge hollow metal doors - Device x Trim	2

Prices subject to change without notice

3' Devices are priced with standard trim and strikes, 4' add \$21 list and 2' (less label) add \$130 list. Cylinders are not included in the price.

**EXIT HARDWARE**  
**Concealed Vertical Rod Devices**  
 (Includes 4188 Strikes)

	Trim/Control	US28	US32D	313AN	US19* US26D	US26	US32	US10	US4	US3 643E* US15*
* 25-C-EO		1515	1926	1608	1852	1926	1962	1926	1962	2075
<b>Lever - Dane (handed and field reversible)</b>										
* 25-C-L	510L*	1894	2373	1987	2299	2382	2418	2305	2341	2531
* 25-C-L-BE	510L-BE*	1894	2373	1987	2299	2382	2418	2305	2341	2531
* 25-C-L-NL	510L-NL*	1819	2284	1912	2210	2344	2380	2230	2266	2493
* 25-C-L-DT	510L-DT*	1819	2284	1912	2210	2344	2380	2230	2266	2493
<b>VR Lever (handed and field reversible)</b>										
* 25-C-L	511L*	1962	2437	2055	2363	2446	2482	2373	2409	2595
<b>Thumbpiece (non-handed)</b>										
25-C-TP	512TP	1854	2300	1947	2226	2365	2401	2265	2301	2514
25-C-TP-BE	512TP-BE	1854	2300	1947	2226	2365	2401	2265	2301	2514
* 25-C-NL	512-NL*	1791	2226	1884	2152	2280	2316	2202	2238	2429
<b>Knob (non-handed)</b>										
25-C-K	513K	1802	2261	1895	2187	2319	2355	2213	2249	2468
25-C-K-BE	513K-BE	1802	2261	1895	2187	2319	2355	2213	2249	2468
25-C-K-NL	513K-NL	1802	2261	1895	2187	2319	2355	2213	2249	2468
25-C-K-DT	513K-DT	1802	2261	1895	2187	2319	2355	2213	2249	2468
<b>DT Pull (717 handed and field reversible, 512 non-handed)</b>										
25-C-DT	717DT	1724	2226	1865	2152	2226	2262	2135	2171	2375
25-C-DT	512DT	1746	2159	1839	2085	2280	2316	2157	2193	2429
<b>Delta Trim (handed and field reversible)</b>										
* 25-C-C	718C*	1677	2156	1817	2082	2156	2192	2088	2124	2305

\* These devices and 510L, 510L-BE, 510L-NL, 510L-DT, 511L, 512NL trims are available in 643E, US15, and US19 finishes.

**REFERENCE NOTES:**

2' devices will have 10" touch pad

25 Series ordered in 313AN will be supplied with trims in SP313.

**Handing:** The 25-C Device is handed and field reversible. Trims are furnished RHR when handing is not specified.

**Extension Rods:** For door heights over 7'0" up to 8'0", 12" extension rods are furnished at no additional charge at the time of device order. For door heights over 8'0" up to 10'0" extension rods are furnished at prices shown in parts section with the device at the time of order. MUST specify door height on order line.

**Sex Bolts:**

Optional Sex Bolts are recommended for center case mounting when device is used with light gauge hollow metal doors. See chart below for quantities and list prices.

Application	Sex Bolt 425 (Optional)	List Add
Light gauge hollow metal doors - EO (exit only device)	6	96
Light gauge hollow metal doors - Device x Trim	2	32

Prices subject to change without notice



**3' Devices are priced with standard trim and strikes, 4' add \$21 list and 2' (less label) add \$130 list. Cylinders are not included in the price.**

**FIRE EXIT HARDWARE**  
**Concealed Vertical Rod Devices**  
 (Includes 4188 and 2130 Strikes)

	Trim/Control	US28	US32D	313AN	US19* US26D	US26	US32	US10	US4	US3 643E* US15*
* F-25-C-EO		1735	2146	1828	2072	2146	2182	2146	2182	2295
<b>Lever - Dane (handed and field reversible)</b>										
* F-25-C-L	510L*	2114	2593	2207	2519	2602	2638	2525	2561	2751
* F-25-C-L-BE	510L-BE*	2114	2593	2207	2519	2602	2638	2525	2561	2751
* F-25-C-L-NL	510L-NL*	2039	2504	2132	2430	2564	2600	2450	2486	2713
* F-25-C-L-DT	510L-DT*	2039	2504	2132	2430	2564	2600	2450	2486	2713
<b>VR Lever (handed and field reversible)</b>										
* F-25-C-L	511L*	2182	2657	2275	2583	2666	2702	2593	2629	2815
<b>Thumbpiece (non-handed)</b>										
F-25-C-TP	512TP	2074	2520	2167	2446	2585	2621	2485	2521	2734
F-25-C-TP-BE	512TP-BE	2074	2520	2167	2446	2585	2621	2485	2521	2734
* F-25-C-NL	512-NL*	2011	2446	2104	2372	2500	2536	2422	2458	2649
<b>Knob (non-handed)</b>										
F-25-C-K	513K	2022	2481	2115	2407	2539	2575	2433	2469	2688
F-25-C-K-BE	513K-BE	2022	2481	2115	2407	2539	2575	2433	2469	2688
F-25-C-K-NL	513K-NL	2022	2481	2115	2407	2539	2575	2433	2469	2688
F-25-C-K-DT	513K-DT	2022	2481	2115	2407	2539	2575	2433	2469	2688
<b>DT Pull (717 handed and field reversible, 512 non-handed)</b>										
F-25-C-DT	717DT	1944	2446	2085	2372	2446	2482	2355	2391	2595
F-25-C-DT	512DT	1966	2379	2059	2305	2500	2536	2377	2413	2649
<b>Delta Trim (handed and field reversible)</b>										
* F-25-C-C	718C*	1897	2376	2037	2302	2376	2412	2308	2344	2525

\* These devices and 510L, 510L-BE, 510L-NL, 510L-DT, 511L, 512NL trims are available in 643E, US15, and US19 finishes.

**REFERENCE NOTES:**

2' devices will have 10" touch pad

25 Series ordered in 313AN will be supplied with trims in SP313.

**Handing:** The F-25-C Device is handed and field reversible. Trims are furnished RHR when handing is not specified.

**Extension Rods:** For door heights over 7'0" up to 8'0", 12" extension rods are furnished at no additional charge at the time of device order. For door heights over 8'0" up to 10'0" extension rods are furnished at prices shown in parts section with the device at the time of order. MUST specify door height on order line.

**Sex Bolts:**

Sex Bolts are supplied for center case mounting when device is used with non-reinforced hollow metal doors.

See chart below for quantities.

Application	Sex Bolt 425 (Supplied)
Non-reinforced hollow metal doors - <b>EO (exit only device)</b>	6
Non-reinforced hollow metal doors - <b>Device x Trim</b>	2

Prices subject to change without notice

**EXITS**  
  
 Pushpads  
  
 Architectural /  
 Heavy Duty  
  
 25 Series

3' Devices are priced with standard trim and strikes, 4' add \$21 list and 2' (less label) add \$130 list. Cylinders are not included in the price.

**EXIT HARDWARE**

**Wood Door Concealed Vertical Rod**  
(Includes 4188 and 2130 Strikes)

	Trim/Control	US28	US32D	313AN	US19* US26D	US26	US32	US10	US4	US3 643E* US15*
* 25-CWDC-EO		1715	2137	1822	2096	2179	2220	2179	2220	2348
<b>Lever - Dane (handed and field reversible)</b>										
* 25-CWDC-L	510L*	2094	2584	2201	2543	2635	2676	2558	2599	2804
* 25-CWDC-L-BE	510L-BE*	2094	2584	2201	2543	2635	2676	2558	2599	2804
* 25-CWDC-L-NL	510L-NL*	2019	2495	2126	2454	2597	2638	2483	2524	2766
* 25-CWDC-L-DT	510L-DT*	2019	2495	2126	2454	2597	2638	2483	2524	2766
<b>VR Lever (handed and field reversible)</b>										
* 25-CWDC-L	511L*	2162	2648	2269	2607	2699	2740	2626	2667	2868
<b>Thumbpiece (non-handed)</b>										
25-CWDC-TP	512TP	2054	2511	2161	2470	2618	2659	2518	2559	2787
25-CWDC-TP-BE	512TP-BE	2054	2511	2161	2470	2618	2659	2518	2559	2787
* 25-CWDC-NL	512-NL*	1991	2437	2098	2396	2533	2574	2455	2496	2702
<b>Knob (non-handed)</b>										
25-CWDC-K	513K	2002	2472	2109	2431	2572	2613	2466	2507	2741
25-CWDC-K-BE	513K-BE	2002	2472	2109	2431	2572	2613	2466	2507	2741
25-CWDC-K-NL	513K-NL	2002	2472	2109	2431	2572	2613	2466	2507	2741
25-CWDC-K-DT	513K-DT	2002	2472	2109	2431	2572	2613	2466	2507	2741
<b>DT Pull (717 handed and field reversible, 512 non-handed)</b>										
25-CWDC-DT	717DT	1924	2437	2079	2396	2479	2520	2388	2429	2648
25-CWDC-DT	512DT	1946	2370	2053	2329	2533	2574	2410	2451	2702
<b>Delta Trim (handed and field reversible)</b>										
* 25-CWDC-C	718C*	1877	2367	2031	2326	2409	2450	2341	2382	2578

\* These devices and 510L, 510L-BE, 510L-NL, 510L-DT, 511L, 512NL trims are available in 643E, US15, and US19 finishes.

**REFERENCE NOTES:**

2' devices will have 10" touch pad

25 Series ordered in 313AN will be supplied with trims in SP313.

**Handing:** The 25-CWDC Device is handed and field reversible. Trims are furnished RHR when handing is not specified.

**Extension Rods:** For door heights over 7'0" up to 8'0", 12" extension rods are furnished at no additional charge at the time of device order.

For door heights over 8'0" up to 10'0" extension rods are furnished at prices shown in parts section with the device at the time of order.

MUST specify door height on order line.

**Sex Bolts:**

Optional Sex Bolts are recommended for center case mounting when device is used with hollow core wood or composite doors.

See chart below for quantities and list prices.

Application	Device Sex Bolt 425 (Optional)	List Add
Hollow core wood or composite doors - <b>EO (exit only device)</b>	6	96
Hollow core wood or composite doors - <b>Device x Trim</b>	2	32

Prices subject to change without notice

EXITS

Pushpads

Architectural /  
Heavy Duty

25 Series

**3' Devices are priced with standard trim and strikes, 4' add \$21 list and 2' (less label) add \$130 list. Cylinders are not included in the price.**

**FIRE EXIT HARDWARE**  
**Wood Door Concealed Vertical Rod**  
 (Includes 4188 and 2130 Strikes)

	Trim/Control	US28	US32D	313AN	US19* US26D	US26	US32	US10	US4	US3 643E* US15*
* F-25-CWDC-EO		1935	2357	2042	2316	2399	2440	2399	2440	2568
<b>Lever - Dane</b>										
* F-25-CWDC-L	510L*	2314	2804	2421	2763	2855	2896	2778	2819	3024
* F-25-CWDC-L-BE	510L-BE*	2314	2804	2421	2763	2855	2896	2778	2819	3024
* F-25-CWDC-L-NL	510L-NL*	2239	2715	2346	2674	2817	2858	2703	2744	2986
* F-25-CWDC-L-DT	510L-DT*	2239	2715	2346	2674	2817	2858	2703	2744	2986
<b>VR Lever</b>										
* F-25-CWDC-L	511L*	2382	2868	2489	2827	2919	2960	2846	2887	3088
<b>Thumbpiece</b>										
F-25-CWDC-TP	512TP	2274	2731	2381	2690	2838	2879	2738	2779	3007
F-25-CWDC-TP-BE	512TP-BE	2274	2731	2381	2690	2838	2879	2738	2779	3007
* F-25-CWDC-NL	512-NL*	2211	2657	2318	2616	2753	2794	2675	2716	2922
<b>Knob</b>										
F-25-CWDC-K	513K	2222	2692	2329	2651	2792	2833	2686	2727	2961
F-25-CWDC-K-BE	513K-BE	2222	2692	2329	2651	2792	2833	2686	2727	2961
F-25-CWDC-K-NL	513K-NL	2222	2692	2329	2651	2792	2833	2686	2727	2961
F-25-CWDC-K-DT	513K-DT	2222	2692	2329	2651	2792	2833	2686	2727	2961
<b>DT Pull</b>										
F-25-CWDC-DT	717DT	2144	2657	2299	2616	2699	2740	2608	2649	2868
F-25-CWDC-DT	512DT	2166	2590	2273	2549	2753	2794	2630	2671	2922
<b>Delta Trim (handed and field reversible)</b>										
* F-25-CWDC-C	718C*	2097	2587	2251	2546	2629	2670	2561	2602	2798

\* These devices and 510L, 510L-BE, 510L-NL, 510L-DT, 511L, 512NL trims are available in 643E, US15, and US19 finishes.

**REFERENCE NOTES:**

2' devices will have 10" touch pad

Consult wood door manufacturer for listing compatibility.

25 Series ordered in 313AN will be supplied with trims in SP313.

**Extension Rods:** For door heights over 7'0" up to 8'0", 12" extension rods are furnished at no additional charge at the time of device order.

For door heights over 8'0" up to 10'0" extension rods are furnished at prices shown in parts section with the device at the time of order.

MUST specify door height on order line.

**Handing:** The F-25-CWDC Device is handed and field reversible. Trims are furnished RHR when handing is not specified.

**Sex Bolts:**

Sex Bolts are supplied for center case mounting when device is used with hollow core or composite doors. See chart below for quantities.

Application	Device Sex Bolt 425 (Supplied)
Hollow core or composite doors - <b>EO (Exit only device)</b>	6
Hollow core or composite doors - <b>Device x Trim</b>	2

Prices subject to change without notice

**EXITS**  
  
 Pushpads  
  
 Architectural /  
 Heavy Duty  
  
 25 Series

### Cylinder Dogging

Not for use with Fire Exit Hardware

Prefix		List Add
CD	Cylinder Dogging available on all 25 series Panic Devices.	73
LD	Less Dogging available on all 25 series Panic Devices.	N/C

### Less Bottom Rod

Suffix		List Add
LBR	Less Bottom Rod available with UL Fire Label at no additional charge on F-25-V and F-25-C devices. <b>Fire rated LBR devices must be ordered in pairs of Vertical Rod Devices.</b> For Fire Rated Devices specify one device LBR and second device LBR-AFL. Second device provided with a Fire Pin. For panic devices, deduct \$58	N/C

### Accessible Device

Suffix		List Add
AX	Accessible device compliant with the California Building Code (Section 11B-309.4) requirement for 5 lb. maximum operational force. Available on 3' and 4' AX-25-R, AX-F-25-R, AX-25-V, AX-F-25-V, AX-25-V-LBR, AX-F-25-V-LBR/LBR-AFL, AX-25-C, AX-F-25-C, AX-25-C-LBR, AX-F-25-C-LBR/LBR-AFL. Trim functions available EO, DT, NL, L, L-BE, L-NL, L-DT, NL-OP, and C. Other device and trim options compatible with AX25 devices: EL, RX, DM, LM, CON, EA, FSA/FSE, CD, LD.	29

### Hurricane Device

Meets all FBC Hurricane Listings. Consult factory for specific Applications.

Prefix		List Add
HH	<b>Hurricane option</b> available on 25-R*, F-25-R, 25-V, F-25-V. Prefix device "HH". <b>Note:</b> HH-25-V-EO and HH-F-25-V-EO, will be supplied with twelve sexbolts. <b>Add \$162.00 LIST.</b> Other device functions will be supplied with eight sexbolts. <b>Add \$102.00 LIST.</b> *HH-25-R requires 299F Strike; Strike 299F will be provided/charged in place of Strike 299. <b>Standard Devices 25-C, F-25-C, 25-M, F-25-M</b> meet all FBC Hurricane listing requirements. Consult factory for specific applications. Prefix "HH" is not required on these devices.	33       N/C

### Electric Latch Retraction

Prefix		List Add
EL	<b>Electric Latch Retraction</b> - Available on all 25 series Panic and Fire Devices Electric Latch cannot be used in combination with CD, EA or KOR options.	846
MEL	<b>Motorized Electric Latch Retraction</b> - Available on all 25 series Panic and Fire Devices except for 25-M and F-25-M. Motorized Electric Latch Retraction cannot be used in combination with AX, HD, CD, EA, or KOR options	777

**REFERENCE NOTE:**

PS914 is required for EL operation. See Power Supply section for more detail.

### Device Monitoring

Prefix		List Add
RX	<b>Touch Bar Request to Exit Switch</b> available on all 25 series devices. RX dogging monitoring switch can be used in combination with a second DM or LM switch.	234
DM	<b>Latch Bolt Monitor Switch</b> (provide signal when latch bolt is fully extended) DM device monitoring switch can be used in combination with a RX switch.	246
LM	<b>Latch Bolt Monitoring Switch</b> (provide signal when latch bolt is fully retracted) LM device monitoring switch can be used in combination with a RX switch.	234
KOR	<b>Key Override</b> - Override device monitoring on a door by use of a keyed cylinder. KOR must be used in combination with a device monitoring switch.	66

### Allegion Connect

Suffix		List Add
CON	Cross-category solution using common interconnect components for electrified options. Available with MEL, MEL-RX, EL, RX, EA, EL-RX, options.	N/C

**NOTE:** For wire harness options refer to Power Supply and Electronic Component Section.

Prices subject to change without notice

## Exit Alarm

Prefix		List Add
<b>EA</b>	<b>Exit Alarm</b> available on 25R, 25V, 25C, 25C-WDC, and 25M Panic and Fire Devices. Price includes switch - "RX" is standard, "LM" is optional at no charge. To order "Less Switch", <b>Deduct \$234 list</b> . For vertical rod tampering monitoring on Surface Vertical Devices, specify device with DM (Latch Bolt Monitor Switch). <b>Add \$246 list</b> . 9 volt battery included.	582

## Electric Lock or Unlock of Trims

Prefix		List Add
<b>FSA</b>	<b>Electric Lock/Unlock Trim, Fail Safe</b> (unlocks when power is interrupted).	344
<b>FSE</b>	<b>Electric Lock/Unlock Trim, Fail Secure</b> (locks when power is interrupted).	344

### REFERENCE NOTES:

FSA/FSE available on all 25 series devices.

Available with TP, K, or L functions only.

Can be used in combination with EL, EA, or any device monitoring switch.

Power supply PS902 is the recommended power supply for use with FSA/FSE trim. If paired with an EL device, PS914 is required.

See the power supply section for more information.

## Schlage Electronic Exit Trim

AD series Electronic Exit Trim is available on Series 25 for rim. AD-300/400 network trim is available exclusively with Series 25 devices when mounted with LC-RX switch must be specified with exit device.

### Four communication options:

**AD-200 993 Offline, access rights stored on lock.**

**AD-250 993 Offline, access rights on stored magnetic stripe credential.**

**AD-300 993 Networked Hardware Locks.**

**AD-400 993 Networked Wireless Locks**

For complete pricing information refer to Schlage Electronic Security Price Book

Prices subject to change without notice

Cylinders are not included in price.

**Lever Trim**

Model No.	Lever Style	Device Type	Description	SP28 US4	SP313 US10	US32D US19* US26D	US3 643E* US15* US26 US32
510L	Dane	R,V,M,C	Lever, Key Locks or Unlocks	379		447	456
510L-NL	Dane	R,V,M,C	Lever, Night Latch	304		358	418
510L-DT	Dane	R,V,M,C	Lever, Dummy Trim	304		358	418
510L-BE	Dane	R,V,M,C	Lever, Blank Escutcheon	379		447	456

\* 643E, US15, US19 are available on the lever trim type listed above except Sutro.

510 series trim are handed and field reversible. Trims are furnished RHR when handing is not specified.

The Dane Lever is furnished standard. Optional lever designs Broadway, Boardwalk, Danish, Latitude, Longitude, Sutro, Quantum and Avalon are available at no additional charge.

Electric Lock or Unlock option is available on 510L function only.

Suffix FSA for Fail Safe operation, or FSE for Fail Secure operation, add \$343 List.

Knurling on Dane lever, add \$74 List. Contact factory for lead times.

**Vandal Resistant Trim**

Model No.	Lever Style	Device Type	Description	SP28 US4	SP313 US10	US32D US19* US26D	US3 643E* US15* US26 US32
511L*	Dane	R,V,M,C	Lever, Key Locks or Unlocks		447	511	520

\* 643E, US15, US19 are available on the lever trim type listed above except Sutro.

511 series trim are handed and field reversible. Trims are furnished RHR when handing is not specified.

The Dane Lever is furnished standard. Optional lever designs Broadway, Boardwalk, Danish, Latitude, Longitude, Sutro, Quantum and Avalon are available at no additional charge.

Electric Lock or Unlock option is available on 511L.

Suffix FSA for Fail Safe operation, or FSE for Fail Secure operation, add \$343 List.

**Night Latch and Thumbpiece Trim**

Model No.	Device Type	Description	SP28 US4	SP313 US10	US32D US19* US26D	US3 643E* US15* US26 US32
512NL*	R,V,M,C	Night Latch		276	300	354
512TP	R,V,M,C	Thumbpiece, Key Locks or Unlocks		339	374	439
512TP-BE	R,V,M,C	Thumbpiece, Blank Escutcheon		339	374	439

\* Available in 643E, US15, US19 on all Falcon Exit levers except for Sutro.

Electric Lock or Unlock option is available on 512TP function only.

Suffix FSA for Fail Safe operation, or FSE for Fail Secure operation, add \$343 List.

**Knob Trim**

Model No.	Device Type	Description	SP28 US4	SP313 US10	US32D US26D	US3 US26 US32
513K	R,V,M,C	Knob, Key Locks or Unlocks		287	335	393
513K-NL	R,V,M,C	Knob, Night Latch		287	335	393
513K-DT	R,V,M,C	Knob, Dummy Trim		287	335	393
513K-BE	R,V,M,C	Knob, Blank Escutcheon		287	335	393

Electric Lock or Unlock option is available on 513K function only.

Suffix FSA for Fail Safe operation, or FSE for Fail Secure operation, add \$343 List.

**Pull Trim**

Model No.	Device Type	Description	SP28 US4	SP313 US10	US32D US26D	US3 US26 US32
512DT	R,V,M,C	Dummy Trim		231	233	354

**Delta Trim**

Model No.	Device Type	Description	SP28 US10	US4 SP313	US19* US26D US3, 643E* US15 US26
717DT	R,V,M,C	Dummy Trim	209		257
718C*	C	Night Latch Less Pull	162		209
					230

\* Available in 643E and US19.

717 and 718 series trim are handed and field reversible. Trims are furnished RHR when handing is not specified.

Prices subject to change without notice

EXITS

Pushpads

Architectural / Heavy Duty

25 Series

### Rim Strikes

Model	Description	Unfinished	US19	US26D	US32D	US4	US10	US10B	SP313	US3	US26	US32
<b>264</b>	24/25-R Panic Devices - Opt.	-	119	139	-	-	-	-	-	-	-	-
<b>299</b>	24/25-R Panic Devices - Std.	-	73	86	-	86	-	-	86	112	112	-
<b>299F</b>	24/25-R Fire Devices - Std.	-	90	-	120	141	141	141	-	162	-	162
<b>499F</b>	25-R Fire Devices - Opt.	-	214	-	225	-	-	-	-	-	-	-
<b>1439</b>	24/25-R Panic Devices - Opt.	-	173	-	-	-	-	-	-	-	-	-
<b>1606</b>	24/25-R Panic Devices - Opt.	86	-	-	-	-	-	-	-	-	-	-
<b>1609</b>	25-R Panic Devices - Opt.	-	119	134	-	134	134	134	-	144	144	-

Must be used with a Coordinator. Not a UL fire exit hardware listed application.

### Vertical Rod Top Strikes

Model	Description	Unfinished
<b>3788*</b>	19/24/25/XX-V Panic and Fire Devices	61
<b>4188</b>	24/25/XX-C,CWDC Panic and Fire Devices	61

\* For Flush Transom applications, Specify part number 4215-019 Angle Bracket, **add \$63 List.**

### Vertical Rod Bottom Strikes

Model	Description	Unfinished
<b>2130</b>	19-V/24/25/XX-V,C Panic or Fire - Std.	61
<b>4155</b>	19-V/24/25/XX-V,C Panic	61

### Mortise Lock Strikes

Model	Description	Unfinished
<b>1279</b>	25/XX-M Panic and Fire Devices - Std.	61
<b>F1280</b>	25-M Fire Devices - Opt.	61

**REFERENCE NOTES:**

Refer to device catalogs for specific door application strike requirements.

**EXITS**  
  
 Pushpads  
  
 Architectural / Heavy Duty  
  
 25 Series

Prices subject to change without notice

### Cover Plates & Filler Plates

Model No.	Description	Unfinished
3722	Strike cover - ASA 4-7/8"	15
3723	Mortise front - 8" x 1-1/4"	15
3721	Lock front - 2-1/4" x 1-1/8"	15

### Cylinders

Model No.	Description	US26D	US3, US4, US10B US10, US32, US32D
985	1-1/8" Mortise Cylinder with Straight Cam (#24)	72	74
986	1-1/4" Mortise Cylinder with Straight Cam (#24)	72	74
951	Rim Cylinder	72	74
C987	1-3/8" Interchangeable Core Mortise Cylinder Housing	42	44
C953	Interchangeable Core Rim Cylinder Housing	45	47

**REFERENCE NOTES:**

Interchangeable Core Cylinder Housing uses #5 cam.  
 Custom Keying not available. Falcon G - default keyway.  
 Cylinder type determined by trim function.  
 IC Cylinder Housings sold LESS SFIC  
 US11 finish = 643e

### Cylinder Dogging Kits

Model No.	Description	Part No.	US3, US4, US10, US26, US26D, US28, US32D, 313AN, US19
25CDK-3	25 Series - 3" device	650159	73
25CDK-4	25 Series - 4" device	650160	73

**REFERENCE NOTES:**

Cylinder Sold Separately.  
 When a device is ordered "with CD with Cylinder" a 1-1/4" mortise cylinder (986 Falcon G x straight cam KD) is supplied for CD.  
 CD Kits can also pair with a 1-1/8" mortise cylinder (985 Falcon G x straight cam KD). Must be ordered separately.

EXITS

Pushpads

Architectural /  
Heavy Duty

25 Series

Prices subject to change without notice



## Dummy Touch Bars

3' Device pricing below, 4' add \$21 list.

Model No.	Description	SP28 SP313	US4 US10	US32D	US3, US32, US15, US19, 643e, US26 US26D
<b>250DT</b>	24/25 Series Dummy Touch Bar	388	429	488	557
<b>Optional Features:</b>					
Prefix					<b>List Add</b>
<b>RX</b>	Touchbar Request to Exit Switch - For D250 only				234
<b>KOR</b>	Key Override device monitoring on a door by use of a keyed cylinder - For D250 only				66

## 250DT Parts

Part No.	Description	SP28,SP313, US32D	US4, US10	US26, US32	US26D	US3
<b>600291</b>	250 Front Cover Plate Pkg	28	38	107	34	55

## Extension Rods

Part No.	Description					All Finishes
<b>650006</b>	24/25/19/XX-V Extension Rod 12" (ER12-V)					25
<b>650007</b>	24/25/19/XX-V Extension Rod 24" (ER24-V)					43
<b>650008</b>	24/25/19/XX-V Extension Rod 36" (ER36-V)					70
<b>650017</b>	24/25/XX-C, CWDC Extension Rod 12" (ER12-C)					25
<b>650018</b>	24/25/XX-C, CWDC Extension Rod 24" (ER24-C)					43
<b>650019</b>	24/25/XX-C, CWDC Extension Rod 36" (ER36-C)					70

### REFERENCE NOTES:

- 1) Surface Vertical and Concealed Vertical Rod Devices for door heights over 7'0" up to 8'0", 12" extension rods are furnished at no additional charge at the time of device order. Must specify door height on order line.
- 2) For door heights over 8'0" up to 10'0" extension rods are furnished at prices shown above with the device at the time of order. MUST specify door height on order line.
- 3) Replacement extension rods can be ordered individually by the part numbers listed above.

## Electric and Alarm Kits

Model No.	Description	Part #	Part Number w/ Allegion Connect (-CON)	US3, US4, US10, US19, US26 US28, US32D, 313AN
<b>25-EAK-3</b>	25 Series Exit Alarm Kit 3'	650167	650706	582
<b>25-EAK-4</b>	25 Series Exit Alarm Kit 4'	650168	650707	582

Model No.	Description	Part #	US3, US4, US10, US19, US26, US26D, US32D, SP28, SP313
<b>ELK-3</b>	24/25 Electric Latch Retraction Kit 3'	650147	846
<b>ELK-4</b>	24/25 Electric Latch Retraction Kit 4'	650148	846

Model No.	Description	Part #	Part Number w/ Allegion Connect (-CON)	US3, US4, US10, US26, US26D, US28, US32D, SP313
<b>25-MELK-3</b>	25 Motorized Electric Latch Retraction Kit 3'	47266630	47270546	777
<b>25-MELK-4</b>	25 Motorized Electric Latch Retraction Kit 4'	47266631	47270547	777

**NOTE:** MEL kit cannot be used to convert an EL device.

Model No.	Description	Part #	Unfinished
<b>24/25 RX KIT</b>	24/25 Series RX Switch Kit	650359	289

Prices subject to change without notice

### Shim Kits

Model No.	Description	Part #	Unfinished	US19
<b>SK25-R/M</b>	25 Rim or 25 Mortise Shim Kit - 1/4"	650107	–	77
<b>SK25-V-8</b>	25 Surface Vertical Shim Kit - 1/4" - over 7' up to 8' doors	650108	–	77
<b>SK25-V-10</b>	25 Surface Vertical Shim Kit - 1/4" - over 8' up to 10' doors	650266	–	77
<b>579</b>	Retrofit Shim Kit - HH-25-R, HH-F25-R (Required)	650106	33	–

**REFERENCE NOTES:**

All shim kits for use on door thicknesses up to 2". Consult factory for door thickness over 2"

### 25 SLM Blocking

*For use with devices on doors with special high density blocking material. Blocking material must be UL or Warnock Hersey approved.*

Model No.	Description	Part #	US19
<b>F-25-R/C</b>	F-25 Rim/Concealed Vertical SLM Blocking Kit	600335	22
<b>F-25-V</b>	F-25 Surface Vertical SLM Blocking Kit	600336	24

### 8500 Mortise Lock

Model No.	Description	US4 US10	US19	US10B	US3, US26 US26D
<b>8500NL</b>	Night Latch (Universal for all 25 Device Mortise Lock Trim Options)	375	470	470	470

**REFERENCE NOTES:**

US32D and US32 finish device supplied with US26D and US26 mortise lock.  
Mortise Device is handed. For replacement of Mortise Lock only, handing is field reversible. Lock is furnished RHR when handing is not specified.  
See Trim section for FSA/FSE options compatible with 8500NL, ordered as Trim option.

### 8500 Mortise Locks - Parts

Part No.	Description	Unfinished
<b>3518</b>	Dead Lock Arm Spring	12
<b>3530</b>	Auxiliary Bolt Actuator	41
<b>661473</b>	Auxiliary Bolt Spring	12
<b>661472</b>	Deadlocking Arm	41
<b>3542</b>	Cylinder Operating Arm	41

Prices subject to change without notice

**(F) 25 Exit Devices**

Part No.	Description	Unfinished	US28	US32D	313AN	US26D	US10, US26 US32	US4	US3	US19
650239	25-R Center Case Kit	205	-	-	-	-	-	-	-	-
650240	F-25-R Center Case Kit	220	-	-	-	-	-	-	-	-
650242	(F) 25-V Center Case Kit	173	-	-	-	-	-	-	-	-
650244	(F) 25-C, CWDC Center Case Kit	158	-	-	-	-	-	-	-	-
650246	(F) 25-M Center Case Kit RHR	173	-	-	-	-	-	-	-	-
650398	(F) 25-M Center Case Kit LHR	173	-	-	-	-	-	-	-	-
650255	(F) 25-R Center Case Cover Kit	-	144	181	154	178	186	190	196	178
650257	(F) 25-V Center Case Cover Kit	-	144	181	154	178	186	190	196	178
650259	(F) 25-C, M Center Case Cover Kit	-	144	181	154	178	186	190	196	178
600307	25 Series Center Case Cover Mtg Pkg	-	-	-	14	-	14	14	14	-
650261	25-V/M/C Center Case Housing Kit	23	-	-	-	-	-	-	-	-
600308	25-V/M/C Center Case Housing Screw Pkg	13	-	-	-	-	-	-	-	-
650262	25-V Center Case Finger Kit	41	-	-	-	-	-	-	-	-
650263	25-C Center Case Finger Kit	32	-	-	-	-	-	-	-	-
600309	25-V/C Center Case Finger Screw Pkg	13	-	-	-	-	-	-	-	-
650378	25-M Center Case Slide Bar Assy RHR	87	-	-	-	-	-	-	-	-
650377	25-M Center Case Slide Bar Assy LHR	87	-	-	-	-	-	-	-	-
661412	25 Series Channel 3' Door	-	92	114	99	112	117	118	124	-
661413	25 Series Channel 4' Door	-	118	151	122	143	152	154	159	-
650227	F-25 Series Channel Cover 3'	-	45	45	45	45	45	45	45	-
650228	F-25 series Channel Cover 4'	-	48	48	48	48	48	48	48	-
650119	25 Series CD Channel Cover 3'	-	56	56	56	56	56	56	56	-
650120	25 Series CD Channel Cover 4'	-	65	65	65	65	65	65	65	-
650135	25 Series EA Channel Cover 3'	-	85	85	85	85	85	85	85	-
650136	25 Series EA Channel Cover 4'	-	96	96	96	96	96	96	96	-
650143	25 Series KOR Channel Cover 3'	-	72	72	72	72	72	72	72	-
650144	25 Series KOR Channel Cover 4'	-	76	76	76	76	76	76	76	-
650191	25 Series Hex Dogging Kit 3'	-	75	75	75	75	75	75	75	-
650192	25 Series Hex Dogging Kit 4'	-	80	80	80	80	80	80	80	-
610480	25 Dogging Housing	22	-	-	-	-	-	-	-	-
060109	25 Hex Dogging Key 7/32" (Pkg of 10)	17	-	-	-	-	-	-	-	-
650294	25 Channel End Cap Kit 1-3/4" Door	-	36	-	40	43	46	46	48	-
650348	25 Channel End Cap Kit 2-1/4" Door	-	36	45	40	43	46	46	48	-
600305	25 Series Channel Screw (Pkg of 10)	19	-	-	-	-	-	-	-	-
600310	25 Series Push Bar End Cap Kit	-	40	47	41	46	47	48	52	-
600319	25 Series Push Bar Guide Pkg	14	-	-	-	-	-	-	-	-
650345	(F) 25-R/M Mounting Pkg 1-3/4" Door	25	-	-	-	-	-	-	-	-
650293	(F) 25-R/M Mounting Pkg 2-1/4" Door	25	-	-	-	-	-	-	-	-
650315	25-V Mounting Pkg 1-3/4" - 2-1/4" Door	48	-	-	-	-	-	-	-	-
650316	F-25-V Mounting Pkg 1-3/4" Door	48	-	-	-	-	-	-	-	-
650295	F-25-V Mounting Pkg 2-1/4" Door	48	-	-	-	-	-	-	-	-
650318	25-C Mounting Pkg 1-3/4" Door	35	-	-	-	-	-	-	-	-
650300	25-C Mounting Pkg 2-1/4" Door	35	-	-	-	-	-	-	-	-
650317	F-25-C Mounting Pkg 1-3/4" Door	35	-	-	-	-	-	-	-	-
650346	F-25-C Mounting Pkg 2-1/4" Door	35	-	-	-	-	-	-	-	-
650299	(F) 25-CWDC Mounting Pkg 1-3/4" Door	-	-	72	72	-	72	72	72	-
650296	(F) 25-CWDC Mounting Pkg 2-1/4" Door	-	-	-	72	-	72	72	72	-
060111	Cotter Key 1/8" x 1" (Pkg of 10)	17	-	-	-	-	-	-	-	-
600320	EL Solenoid Pkg	211	-	-	-	-	-	-	-	-
600321	EL Plunger Solenoid Pkg	80	-	-	-	-	-	-	-	-
650359	24/25 Series RX Switch Kit	289	-	-	-	-	-	-	-	-
050534	EL Potted Circuit Breaker	357	-	-	-	-	-	-	-	-
650265	Exit Alarm Label - Service	16	-	-	-	-	-	-	-	-
106182	EAK CON Adapter Harness	13	-	-	-	-	-	-	-	-
650713	LM SWITCH REPLACEMENT KIT	243	-	-	-	-	-	-	-	-
650712	LM CON SWITCH REPLACEMENT KIT	254	-	-	-	-	-	-	-	-
650715	DM SWITCH REPLACEMENT KIT	254	-	-	-	-	-	-	-	-
650714	DM CON SWITCH REPLACEMENT KIT	265	-	-	-	-	-	-	-	-
114320	MEL motor cable	15	-	-	-	-	-	-	-	-
47269206	MEL motor cable with 6' cable	68	-	-	-	-	-	-	-	-
106198	MEL/EL CON Adapter Harness	15	-	-	-	-	-	-	-	-
040069	MEL Motor Cable with MEL CON Adapter Harness	68	-	-	-	-	-	-	-	-
47270298	25 Series 3' MEL channel cover plate	-	-	-	-	-	-	-	-	-
47270299	25 Series 4' MEL channel cover plate	-	109	109	109	109	109	109	109	109
47266852	MEL motor mounting screws, pkg. of 2	-	114	114	114	114	114	114	114	114
	Prices subject to change without notice	22	-	-	-	-	-	-	-	-

**EXITS**  
  
 Pushpads  
  
 Architectural / Heavy Duty  
  
 25 Series

**(F) 25 Exit Devices - Latches and Rods**

Part No.	Description	Unfinished	SP28	SP313 US32D	US19	US26D	US32 US26	US3 US4 US10
650389	25-V Top Latch Case	138	-	-	-	-	-	-
650375	F-25-V Top Latch Case	142	-	-	-	-	-	-
650202	25-V Latch Case Cover Kit	-	80	80	104	104	104	104
650336	25-V Latch Case Cover Mounting Pkg	-	12	12	-	12	12	12
650311	25-V Rod Guide Kit	-	61	65	104	-	77	57
650387	25-V Bottom Bolt Guide (Latch cover sold separately)	13	-	-	-	-	-	-
3777	25-V Top Rod Kit	-	104	104	104	-	104	104
610055	25-V Bottom Rod Kit	-	140	140	-	-	140	140
5494	F-25-V Auxiliary Fire Pin Kit (LBR application only)	177	-	-	-	-	-	-
603	25-C, C-WDC Top Latch Case	235	-	-	-	-	-	-
F603	F-25-C Top Latch Case	328	-	-	-	-	-	-
WF603	F-25-CWDC Top Latch Case	328	-	-	-	-	-	-
650339	(F) 25-C, CWDC Top Latch Release Kit	-	-	46	-	46	40	40
4567	25-C Bottom Bolt Guide	56	-	-	-	-	-	-
4835	25-CWDC Bottom Bolt Guide	51	-	-	-	-	-	-
4694	F-25-CWDC Latch Bracket	13	-	-	-	-	-	-
650376	(F) 25-C, CWDC Center Slide Assy	329	-	-	-	-	-	-
4832	(F) 25-CWDC Center Slide Reinforcement Plate	41	-	-	-	-	-	-
4833	24-CWDC Reinforcement Plate	-	37	37	-	-	50	50
4834	24-CWDC Reinforcement Plate w/ Access Hole	-	37	37	-	-	50	50
610061	(F) 25-C, CWDC Top Rod Kit	104	-	-	-	-	-	-
610057	(F) 25-C, CWDC Bottom Rod Kit	140	-	-	-	-	-	-
5494	F-25-C Auxiliary Fire Pin Kit (LBR application only)	177	-	-	-	-	-	-
660002	#10 x 1 1/4" FPHSMS Clear Zinc	12	-	-	-	-	-	-

EXITS

Pushpads

Architectural /  
Heavy Duty

25 Series

Prices subject to change without notice

**25 Series Trim**

Part No.	Description	Unfinished	SP28	SP313	US26D	US10	US4	US3	US19	US15
					US32D	US26	US32			
600272	510 Backplate Assembly	33	-	-	-	-	-	-	-	-
600273	510/512/513 Slider	86	-	-	-	-	-	-	-	-
600282	511L Slider Assy	204	-	-	-	-	-	-	-	-
090041	Hook Spring Pkg	15	-	-	-	-	-	-	-	-
600274	510/511L Spring (Pkg of 2)	25	-	-	-	-	-	-	-	-
600284	512TP/513K Spring (Pkg of 2)	14	-	-	-	-	-	-	-	-
600275	510L/512TP/513K Locking Hook	33	-	-	-	-	-	-	-	-
600281	510L-NL/512NL/513K-NL Cam	35	-	-	-	-	-	-	-	-
600276	L/K Spindle Cam Kit	35	-	-	-	-	-	-	-	-
600280	L-NL/L-DT Spindle Cam Kit	37	-	-	-	-	-	-	-	-
600277	510/511/513 Spindle Cam Retaining Ring (Pkg of 10)	13	-	-	-	-	-	-	-	-
650267	510L/513K Shear Pin (Pkg of 10)	29	-	-	-	-	-	-	-	-
600283	511L Shear Pin (Pkg of 5)	13	-	-	-	-	-	-	-	-
600278	500 Series Cylinder Lock Nut	14	-	-	-	-	-	-	-	-
600279	500 Series Cylinder Nut Tool	24	-	-	-	-	-	-	-	-
600296	500 Series Security Collar	-	29	29	35	35	35	36	-	-
600289	Lower Pull Bracket Kit 1.3/4"	-	19	16	19	19	19	24	-	-
600290	Lower Pull Bracket Kit 2.1/4"	-	19	16	19	19	19	24	-	-
600285	512TP Thumbpiece	-	40	41	48	51	51	56	-	-
600286	512TP Thumbpiece Pivot Pin	12	-	-	-	-	-	-	-	-
600287	512TP Thumbpiece Bracket	16	-	-	-	-	-	-	-	-
600297	512TP Pull	-	160	172	202	205	210	220	-	-
600298	513K Knob Assy	-	159	729	197	204	208	219	-	-
600299	510L Dane Lever Kit	-	118	123	151	153	155	161	-	-
600300	510L Sutro Lever Kit	-	118	123	151	153	155	161	-	-
600301	510L Quantum Lever Kit	-	118	123	151	153	155	161	-	-
600337	510 Avalon Lever Kit	-	190	192	192	262	192	262	-	-
600288	Pull Grip Screw (Pkg of 10)	12	-	-	-	-	-	-	-	-
650231	512 Mounting Pkg 1-3/4"	-	-	12	12	-	12	-	-	-
650232	512 Mounting Pkg 2-1/4"	-	-	12	12	-	12	-	-	-
650235	510/511/512/513 Screw Pkg 1-3/4"	12	-	-	-	-	-	-	-	-
650237	510/511/512/513 Screw Pkg 2-1/4"	12	-	-	-	-	-	-	-	-
600208	CYL ASSY SCREW PKG	-	53	53	53	53	53	53	53	55
600293	FSA/FSE Solenoid Kit	-	-	-	-	-	-	-	-	-
600294	FSA/FSE Solenoid Plunger	-	-	-	-	-	-	-	-	-
600295	FSA/FSE Pivot Pin	12	-	-	-	-	-	-	-	-
650278	FSA/FSE Solenoid Spring	12	-	-	-	-	-	-	-	-

EXITS

Pushpads

Architectural /  
Heavy Duty

25 Series

Prices subject to change without notice

Part No.	Description	List Price
650277	24/25 Maintenance Kit (See below for what is supplied in Kit)	2,113.00

## Refill Parts/Packages

Part No.	Description	Refill	
		List Price Each	Kit Contents Qty
<b>299 Strike</b>	299 Strike US19	72.00	5
<b>325 SNB</b>	325 Sex Bolt, 1/4-20 US32D (Pkg of 2)	32.00	10
<b>425 SNB</b>	425 Sex Bolt, 10-24 US32D (Pkg of 2)	32.00	10
<b>4208</b>	CD/EA/KOR Cylinder Retaining Bracket	12.00	30
<b>060126</b>	512/718 Lever Washer (Pkg of 10)	12.00	1
<b>3894-000</b>	Cylinder Nut BRS	12.00	10
<b>650311</b>	Rod Guide Kit US32D	65.00	6
<b>650311</b>	Rod Guide Kit SP28	61.00	2
<b>650311</b>	Rod Guide Kit SP313	65.00	2
<b>060109</b>	Hex Dogging Key 7/32" (Pkg of 10)	17.00	1
<b>650231</b>	512 Mtg Pkg US4 1-3/4" Dr	12.00	2
<b>650231</b>	512 Mtg Pkg US10B 1-3/4" Dr	12.00	2
<b>650231</b>	512 Mtg Pkg US26D 1-3/4" Dr	12.00	6
<b>650294</b>	24/25 End Cap Kit US32D 1-3/4" Dr.	45.00	6
<b>650294</b>	24/25 End Cap Kit US26D 1-3/4" Dr.	43.00	2
<b>650294</b>	24/25 End Cap Kit SP28 1-3/4" Dr.	36.00	1
<b>650294</b>	24/25 End Cap Kit SP313 1-3/4" Dr.	40.00	1
<b>600283</b>	511 Trim Shear Pin (Pkg of 5)	13.00	6
<b>640001</b>	24 Device Plastic Mounting Template	12.00	2
<b>640002</b>	25 Device Plastic Mounting Template	12.00	2
<b>650267</b>	510/513 Trim Shear Pin (Pkg of 10)	29.00	3
<b>060112</b>	8500 Lock Housing Screws (Pkg of 10)	12.00	2
<b>060113</b>	24/25-C Latch Screw (Pkg of 10)	12.00	5
<b>060114</b>	Rod Guide Screws (Pkg of 10)	12.00	3
<b>060119</b>	510/511/512/513 Back Plate Screws (Pkg of 10)	12.00	5
<b>600309</b>	25 Lift Finger Screws (Pkg of 2)	13.00	10
<b>600173</b>	8500 Lock Face Screws US3/US4/US10	12.00	10
<b>600173</b>	8500 Lock Face Screws US26D/US32D	12.00	10
<b>600173</b>	8500 Lock Face Screws US10B	12.00	10
<b>060120</b>	8500 Lock Backplate Screws (Pkg of 10)	12.00	5
<b>060121</b>	24/25-V Latch Cover Screws US26D/US32D/US28 (Pkg of 10)	12.00	5
<b>060121</b>	24/25-V Latch Cover Screws US3/US4/US10 (Pkg of 10)	12.00	5
<b>060121</b>	24/25-V Latch Cover Screws US10B (Pkg of 10)	12.00	5
<b>060123</b>	Electric Option Dogging Screw (Pkg of 10)	12.00	5
<b>060122</b>	K-NL/L-NL Spindle Cam Screw (Pkg of 10)	14.00	2
<b>060124</b>	K/L/TL Trim Lock Nut (Pkg of 10)	12.00	1
<b>600305</b>	24/25 Channel Screw (Pkg of 10)	19.00	3
<b>060111</b>	Cotter Key 1/8" x 1" (Pkg of 10)	17.00	5
<b>600279</b>	Cylinder Nut Tool (Pkg of 5)	24.00	2
<b>060125</b>	FSE/FSE Trim Pivot Pin (Pkg of 10)	12.00	2
<b>600319</b>	24/25 Pushbar Guide (Pkg of 2)	14.00	10
<b>600278</b>	25 Trim Cylinder Locknut	14.00	10
<b>060117</b>	25 Center Case Mtg Screws (Pkg of 10)	12.00	5
<b>060118</b>	24 Center Case Housing Screws (Pkg of 10)	12.00	5
<b>060116</b>	25-R/M Device Mounting Screws (Pkg of 10)	12.00	5
<b>060115</b>	FSA/FSE Trim Screws (Pkg of 10)	12.00	5
<b>600307</b>	24/25 Center Case Cover Screws US3 (Pkg of 4)	14.00	12
<b>600307</b>	24/25 Center Case Cover Screws US4 (Pkg of 4)	14.00	12
<b>600307</b>	24/25 Center Case Cover Screws US10 (Pkg of 4)	14.00	12
<b>600307</b>	24/25 Center Case Cover Screws US10B (Pkg of 4)	14.00	12
<b>600307</b>	24/25 Center Case Cover Screws US26D/US32D/SP28 (Pkg of 4)	14.00	12
<b>600277</b>	510/513 Spindle Cam Ret. Ring (Pkg of 10)	13.00	2
<b>600308</b>	25 Housing Plate Screws (Pkg of 2)	13.00	2
<b>970321</b>	299 Strike Shim	16.00	20

Prices subject to change without notice

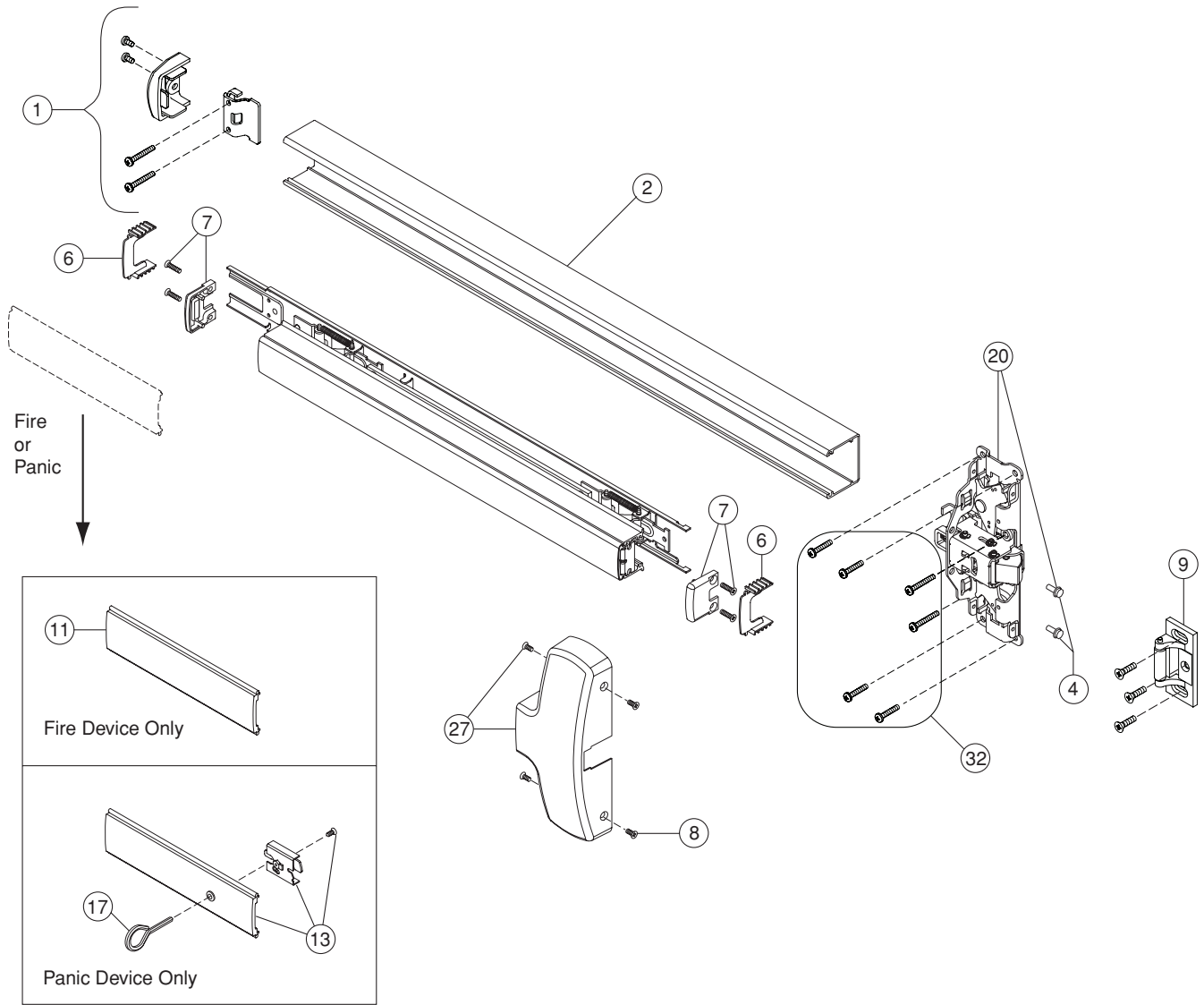
Prices subject to change without notice



# (F)25 rim exit device

Panic and fire

EXITS  
Pushpads  
Architectural / Heavy Duty  
25 Series



Prices subject to change without notice



No.	Qty.	Part no.	Description	Package contents	Notes
1	1	650294	25 Channel Endcap Kit 1¾" Door	1- Channel Endcap	A
				2- #10-24 x ¾" PPHMS	
				1- Channel Endcap Bracket	
				2- #10 x 1¼" PPHSMS	
				2- #10-24 x 1" PPHMS	
	1	650348	25 Channel Endcap Kit 2¼" Door	1- Channel Endcap	A
				2- #10-24 x ¾" PPHMS	
				1- Channel Endcap Bracket	
				2- #10 x 1¼" PPHSMS	
				2- #10-24 x 1" PPHMS	
2	1	661412	25 Channel 3'		A
		661413	25 Channel 4		
4	1	600305	25 Channel Screw package of 10	#10-16 x ½" Hex Washer Head Taptite	
6	1	600319	25 Pushbar Guide Pkg	2- Pushbar Guide	
7	1	600310	25 Pushbar Endcap Kit	2- Pushbar Endcap	A
				4- #8-18 x ¾" FPHSMS	
8	1	600307	25 Center Case Cover Screw Pkg	4- #8-18 x ¾" UFPHMS	A
9	1	299	299 Strike		C
11	1	650227	F-25 Channel Cover Plate 3'		A, B
		650228	F-25 Channel Cover Plate 4'		
13	1	650191	25 Hex Dogging Kit 3'	1- Panic Channel Cover (3' or 4") 1- Dogging Subassembly	A, B
		650192	25 Hex Dogging Kit 4'	1- #8-32 x ¾" UFPHMS	
17	1	060109	Hex Dogging Key 7/32" package of 10		
20	1	650239	25-R Center Case Kit, Panic	1- Center Case	
		650240	F-25-R Center Case Kit, Fire	2- #10-16 x ½" Hex Washer Head Taptite	
27	1	650255	(F)25-R Center Case Cover Kit	1- Head Cover	A
				4- #8-18 x ¾" UFPHMS	
32	1	650345	(F)25-R/M Mounting Pkg 1¾" Door	6- #10 x 1¼" PPHSMS	*
				4- #10-24 x ¾" PPHMS	
				2- #10-24 x 1" PPHMS	
				1- Tailpiece Guide	
		650293	(F)25-R/M Mounting Pkg 2¼" Door	6- #10 x 1¼" PPHSMS	*
		4- #10-24 x 1¼" PPHMS			
		2- #10-24 x 1½" PPHMS			
		1- Tailpiece Guide	*		

\* Item(s) not shown.

A Specify by finish: US3, US4, US10, US26, US26D, US32, US32D, US28, 313AN

B Specify by finish: US3, US4, US10, US19, US26, US26D, SP313

Prices subject to change without notice

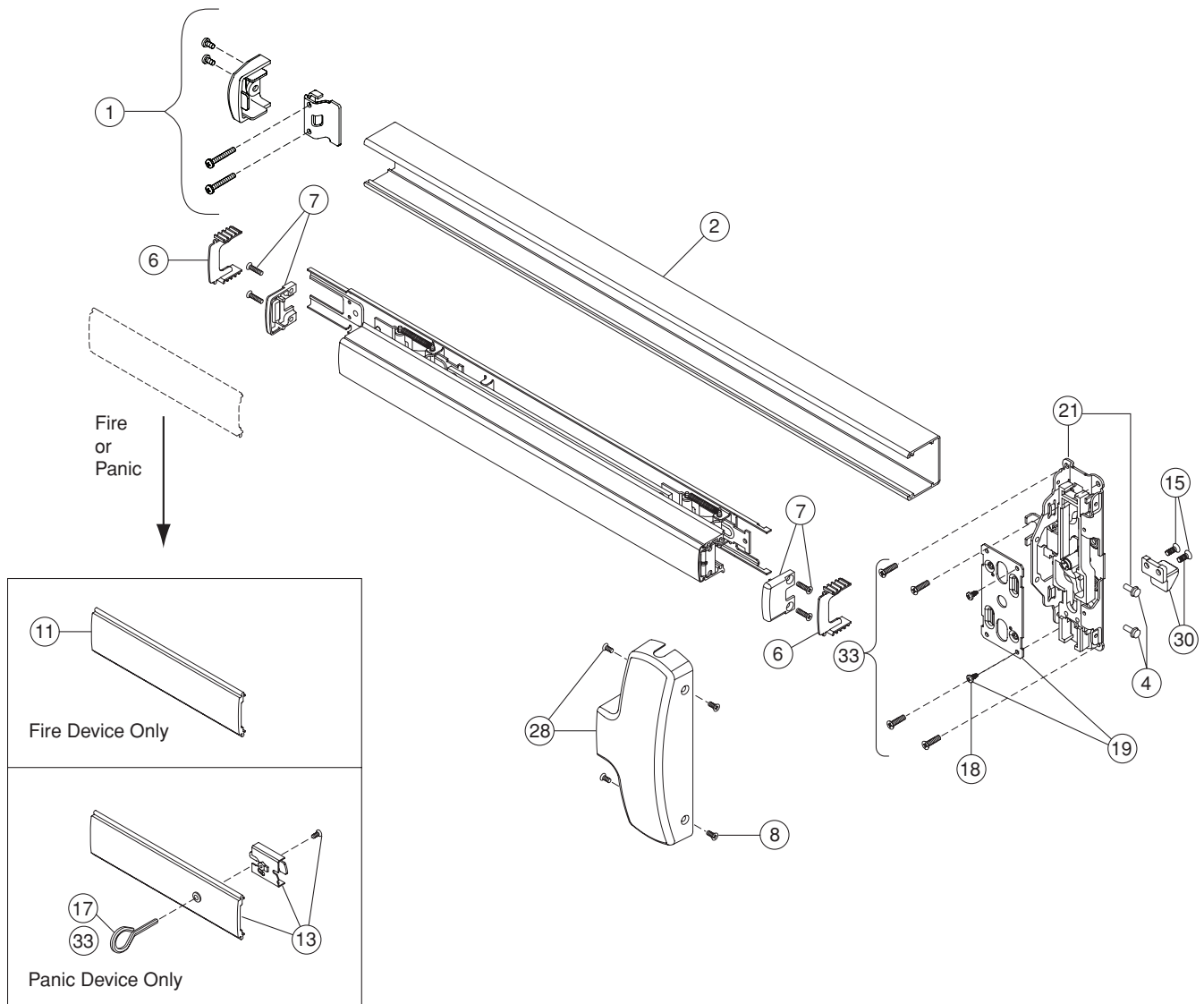
**Panic and fire**

**EXITS**

Pushpads

Architectural / Heavy Duty

25 Series



No.	Qty.	Part no.	Description	Package contents	Notes
1	1	650294	25 Channel Endcap Kit 1¾" Door	1- Channel Endcap 2- #10-24 x ¾" PPHMS 1- Channel Endcap Bracket 2- #10-24 x 1" PPHMS 2- #10 x 1¼" PPHSMS	A
1	1	650348	25 Channel Endcap Kit 2¼" Door	1- Channel Endcap 2- #10-24 x ¾" PPHMS 1- Channel Endcap Bracket 2- #10-24 x 1" PPHMS 2- #10 x 1¼" PPHSMS	A

Prices subject to change without notice

No.	Qty.	Part no.	Description	Package contents	Notes
2	1	661412	25 Channel 3'		A
		661413	25 Channel 4'		
4	1	600305	25 Channel Screw package of 10	10- #10-16 x 1/2" Hex Washer Head Taptite	
6	1	600319	25 Pushbar Guide Pkg	2- Pushbar Guide	
7	1	600310	25 Pushbar Endcap Kit	2- Pushbar Endcap	A
				4- #8-18 x 3/4" FPHSMS	
8	1	600307	25 Center Case Cover Screw Pkg	4- #8-18 x 3/8" UFPHMS	A
11	1	650227	F-25 Channel Cover Plate 3'		A
		650228	F-25 Channel Cover Plate 4'		
13	1	650191	25 Hex Dogging Kit 3'	1- Panic Channel Cover (3' or 4")	A
		650192	25 Hex Dogging Kit 4'	1- Dogging Subassembly 1- #8-32 x 3/8" UFPHMS	
15	1	600309	25-V/C Finger Screw Pkg	2- #10-24 x 3/8" UFPHMS	
17	1	060109	Hex Dogging Key 7/32" package of 10		
18	1	600308	25-V/M/C Center Case Housing Screw Pkg	2- #8-32 x 3/8" PPHMS Trilob	
19	1	650261	25-V/M/C Center Case Housing Kit	2- #8-32 x 3/8" PPHMS Trilob	
				1- Vertical Housing	
21	1	650242	(F)25-V Center Case Kit	1- Center Case	
				2- #10-16 x 1/2" Hex Washer Head Taptite	
28	1	650257	(F)25-V Center Case Cover Kit	1- Head Cover	A
				4- #8-18 x 3/8" UFPHMS	
30	1	650262	25-V Center Case Finger Kit	2- #10-24 x 3/8" UFPHMS	
				1-Vertical Finger	
33	1	650315	25-V Mounting Pkg 1 3/4" - 2 1/4" Door	6- #10 x 1 1/4" PPHSMS	*
				4- #10 x 1 1/4" FPHSMS	*
				1- 1/8 x 1" Cotter Key	*
				1- Dogging Key	
		650316	F-25-V Mounting Pkg 1 3/4" Door	6- #10-24 x 3/4" PPHMS	
				4- #10-24 x 3/4" FPHMS	*
				1- 1/8 x 1" Cotter Key	*
		650295	F-25-V Mounting Pkg 2 1/4" Door	6- #10-24 x 1 1/4" PPHMS	*
				4- #10-24 x 1 1/4" FPHMS	*
1- 1/8" x 1" Cotter Key	*				

\* Item(s) not shown.

A Specify by finish: US3, US4, US10, US26, US26D, US32, US32D, US28, 313AN

Prices subject to change without notice

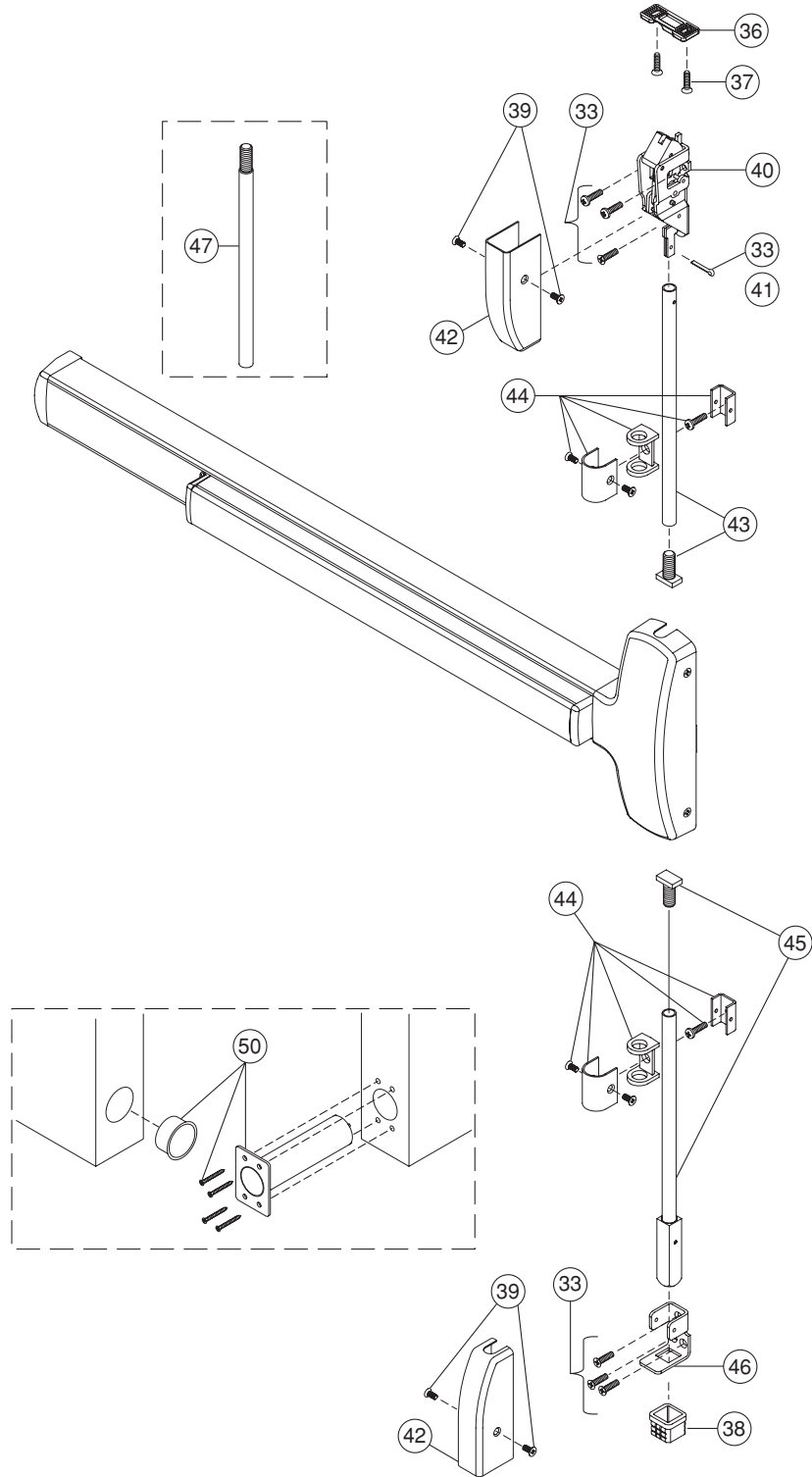
Panic and fire

EXITS

Pushpads

Architectural /  
Heavy Duty

25 Series



Prices subject to change without notice

No.	Qty.	Part no.	Description	Package contents	Notes
33	1	650315	25-V Mounting Pkg 1¾" – 2¼" Door	4– #10 x 1¼" FPHSMS	*
				6– #10 x 1¼" PPHSMS	*
				1– ⅛ x 1" Cotter Key	
				1– Dogging Key	*
		650316	F-25-V Mounting Pkg 1¾" Door	4– #10-24 x ¾" FPHMS	*
				6– #10-24 x ¾" PPHMS	
				1– ⅛ x 1" Cotter Key	
		650295	F-25-V Mounting Pkg 2¼" Door	4– #10-24 x 1¼" FPHMS	*
				6– #10-24 x 1¼" PPHMS	*
1– ⅛" x 1" Cotter Key					
36	1	3788	Vertical Rod Top Strike		
37	2	660002	#10 x 1¼" FPHSMS		
38	1	2130	Vertical Rod Bottom Strike		
39	1	650336	25-V Latch Case Cover Mounting Pkg	4– #8-32 x ¼" UFPHMS	
40	1	650389	25-V Top Latch Case		
		650375	F-25-V Top Latch Case		
41	1	060111	⅛" x 1" Cotter Key package of 10		
42	2	650202	25-V Latch Case Cover Kit		A
43	1	3777	25-V Top Rod Kit		A
44	2	650311	25-V Rod Guide Kit		A
45	1	610055	25-V Bottom Rod Kit		A
46	1	650387	25-V Bottom Bolt Guide		A
47	1	650006	Vertical Extension Rod 12"		A
		650007	Vertical Extension Rod 24"		
		650008	Vertical Extension Rod 36"		
50	1	5494	Auxiliary Fire Pin Kit (Less Bottom Rod application only)		

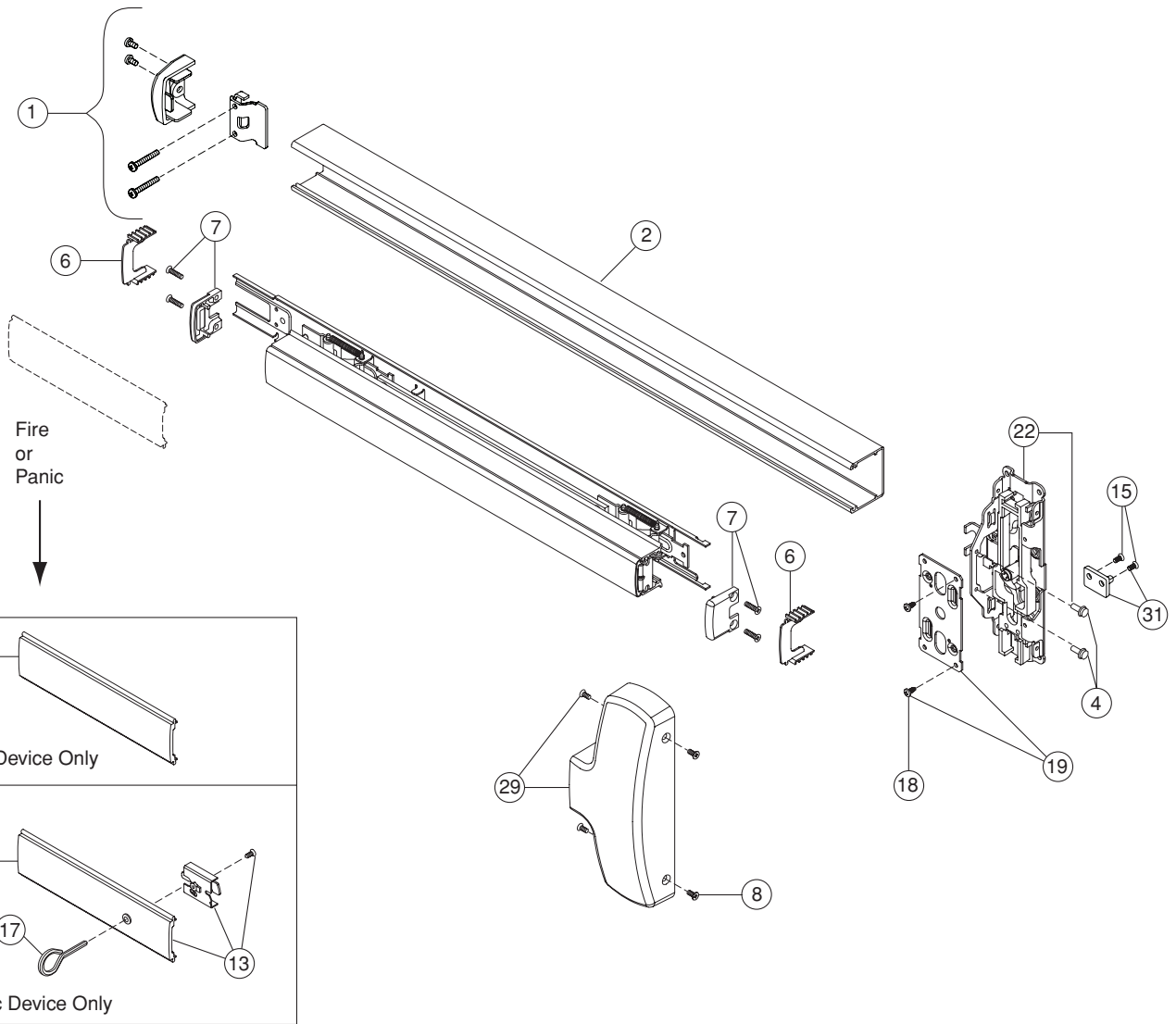
\* Item(s) not shown.

A Specify by finish: US3, US4, US10, US26, US26D, US32, US32D, US28, 313AN

Prices subject to change without notice

# (F)25-C Concealed vertical rod exit device

## Panic and fire



EXITS

Pushpads

Architectural / Heavy Duty

25 Series

Prices subject to change without notice

No.	Qty.	Part no.	Description	Package contents	Notes
1	1	650294	25 Channel Endcap Kit 1¾" Door	1- Channel Endcap	A
				2- #10-24 x ⅜" PPHMS	
				1- Channel Endcap Bracket	
				2- #10-24 x 1" PPHMS	
				2- #10 x 1¼" PPHSMS	
	1	650348	25 Channel Endcap Kit 2¼" Door	1- Channel Endcap	A
				2- #10-24 x ⅜" PPHMS	
				1- Channel Endcap Bracket	
				2- #10-24 x 1" PPHMS	
				2- #10 x 1¼" PPHSMS	
2	1	661412	25 Channel 3'		A
		661413	25 Channel 4'		
4	1	600305	25 Channel Screw package of 10	#10-16 x ½" Hex Washer Head Taptite	
6	1	600319	25 Pushbar Guide Pkg	2- Pushbar Guide	
7	1	600310	25 Pushbar Endcap Kit	2- Pushbar Endcap	A
				4- #8-18 x ¾" FPHSMS	
8	1	600307	25 Center Case Cover Screw Pkg	4- #8-18 - ⅜" UFPHMS	A
11	1	650227	F-25 Channel Cover Plate 3'		A, B
		650228	F-25 Channel Cover Plate 4'		
13	1	650191	25 Hex Dogging Kit 3'	1- Panic Channel Cover (3' or 4') 1- Dogging Subassembly	A, B
		650192	25 Hex Dogging Kit 4'	1- #8-32 x ⅜" UFPHMS	
15	1	600309	25-V/C Center Case Finger Screw Pkg	2- #10-24 x ⅜" UFPHMS	
17	1	060109	Hex Dogging Key 7/32" package of 10		
18	1	600308	25-V/M/C Center Case Housing Screw Pkg	2- #8-32 x ⅜" PPHMS Trilob Housing	
19	1	650261	25-V/M/C Center Case Housing Kit	2- #8-32 x ⅜" PPHMS Trilob Housing	
				1- Vertical Housing	
22	1	650244	25-C, CWDC Center Case Kit	1- Center Case	
				2- #10-16 x ½" Hex Washer Head Taptite	
29	1	650259	(F)25-C/M Center Case Cover Kit	1- Center Case	A
				4- #8-18 - ⅜" UFPHMS	
31	1	650263	25-C Center Case Finger Kit	2- #10-24 x ⅜" UFPHMS	
				1- Concealed Finger	

A Specify by finish: US3, US4, US10, US26, US26D, US32, US32D, US28, 313AN

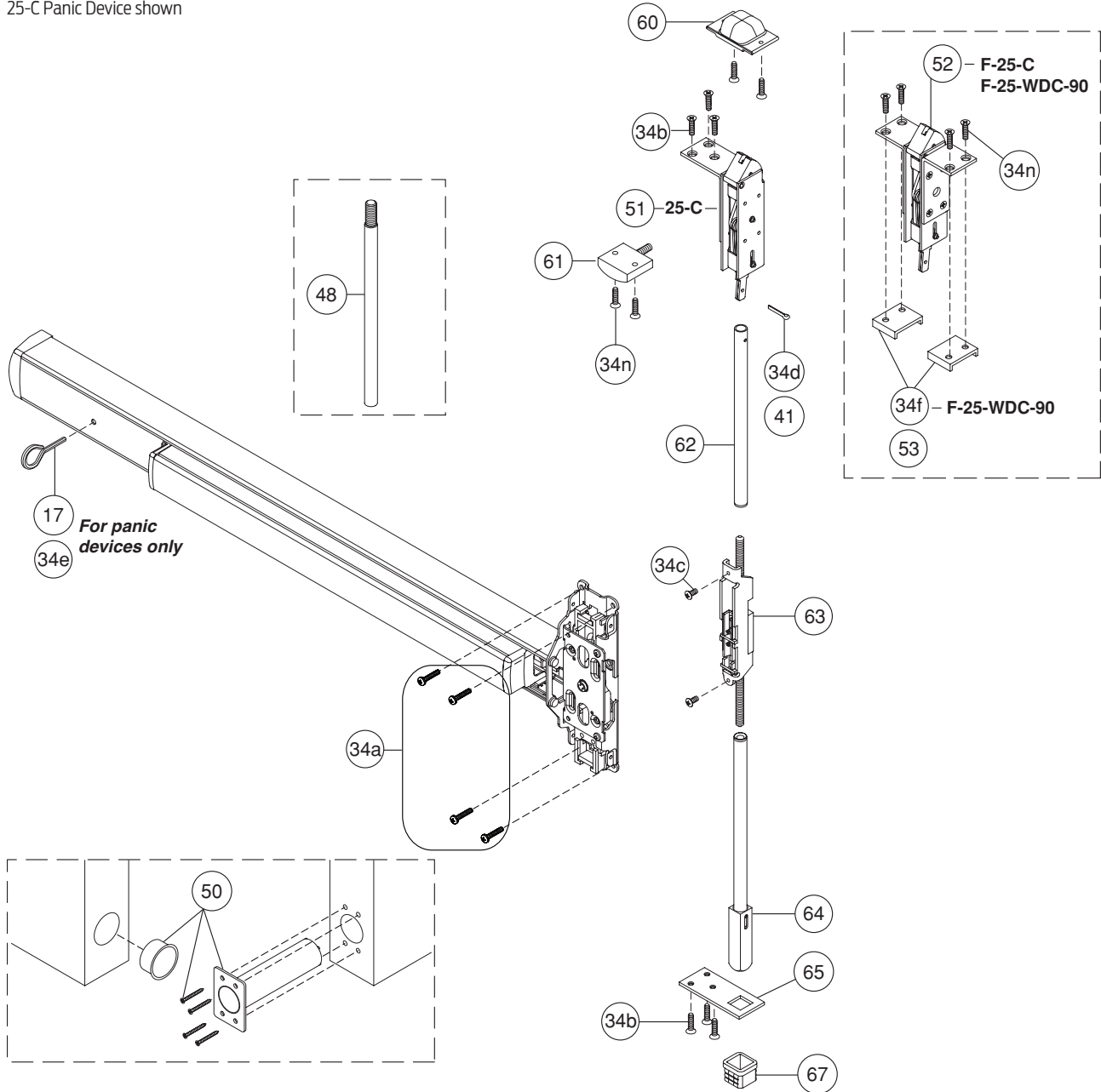
Prices subject to change without notice

EXITS  
 Pushpads  
 Architectural / Heavy Duty  
 25 Series

# (F)25-C and F-25-C-WDC-90 Concealed vertical rods and latches

## Metal door—panic and fire, wood door—90 minute fire device

25-C Panic Device shown



No.	Qty.	Part no.	Description	Package contents	Notes
17	1	060109	Hex Dogging Key 7/32" package of 10		
34	1	650317	F-25-C Mounting Pkg 1 3/4" Door	34a 8- #10-24 x 3/4" PPHMS 34b 7- #10-24 x 3/4" FPHMS 34c 2- #8-32 x 3/8" UFPHMS 34d 1- 1/8 x 1" Cotter Key — 2- 1/4-20 x 3/4" PPHMS	*

Prices subject to change without notice



# Concealed vertical rods and latches **(F)25-C and F-25-C-WDC-90**

No.	Qty.	Part no.	Description	Package contents	Notes	
34	1	650318	25-C Mounting Pkg 1¾" Door	34a	8- #10 x 1¼" PPHSMS	*
				34b	6- #10-24 x ¾" FPHMS	
				34c	2- #8-32 x ⅜" UFPHMS	
				34d	1- ⅛ x 1" Cotter Key	
				34e	1- Dogging Key	
				—	2- #14 x 1" PPHSMS	*
		650299	F-25-CWDC Mounting Pkg 1¾" Door	34a	4- #10 x 1¼" PPHSMS	*
				34a	8- #10-24 x ¾" PPHMS	
				34b	3- #10 x 1¼" FPHSMS	*
				34c	2- #8-32 x ⅜" UFPHMS	
				34d	1- ⅛ x 1" Cotter Key	
				34f	2- Latch Bracket (Sold Separately #4694-089)	
				34n	6- #10-24 x ¾" FPHMS	
		650296	F-25-CWDC Mounting Pkg 2¼" Door	34a	4- #10 x 1¼" PPHSMS	*
				34a	8- #10-24 x ¾" PPHMS	
				34b	3- #10 x 1¼" FPHSMS	*
				34c	2- #8-32 x ⅜" UFPHMS	
				34d	1- ⅛ x 1" Cotter Key	
				34f	2- Latch Bracket (Sold Separately #4694-089)	
				34n	6- #10-24 x ¾" FPHMS	
650300	25-C Mounting Pkg 2¼" Door	34a	8- #10 x 1¼" PPHSMS	*		
		34b	6- #10-24 x 1¼" FPHMS			
		34c	2- #8-32 x ⅜" UFPHMS			
		34d	1- ⅛ x 1" Cotter Key			
		34e	1- Dogging Key			
		—	2- #14 x 1" PPHSMS	*		
650346	F-25-C Mounting Pkg 2¼" Door	34a	8- #10-24 x 1¼" PPHMS			
		34b	7- #10-24 x 1¼" FPHMS			
		34c	2- #8-32 x ⅜" UFPHMS			
		34d	1- ⅛ x 1" Cotter Key			
		—	2- ¼-20 x 1¼" PPHMS	*		
41	1	060111	⅛ x 1" Cotter Key package of 10			
48	1	650017	Concealed Vertical Extension Rod 12"			
		650018	Concealed Vertical Extension Rod 24"			
		650019	Concealed Vertical Extension Rod 36"			
50	1	5494	Auxiliary Fire Latch Kit (Less Bottom Rod application only)			
51	1	603L	25-C, CWDC Top Latch Case LHR			
		603R	25-C, CWDC Top Latch Case RHR			
52	1	F603	F-25-C Top Latch Case			
53	2	4694	F-25 CWDC Latch Bracket			
60	1	4188	Concealed Vertical Top Rod Strike			
61	1	650339	(F)25-C, CWDC Top Latch Release Kit		A	
62	1	610061	(F)25-C, CWDC Top Rod Kit			
63	1	650376	(F)25-C, CWDC Center Slide Assembly			
64	1	610057	(F)25-C, CWDC Bottom Rod Kit			
65	1	4567	25-C Bottom Bolt Guide			
67	1	2130	Vertical Rod Bottom Strike			

\* Items for 24 Series devices only, not shown.

A Specify by finish: US3, US4, US10, US26, US26D, US32, US32D, US28, 313AN

Prices subject to change without notice

EXITS

Pushpads

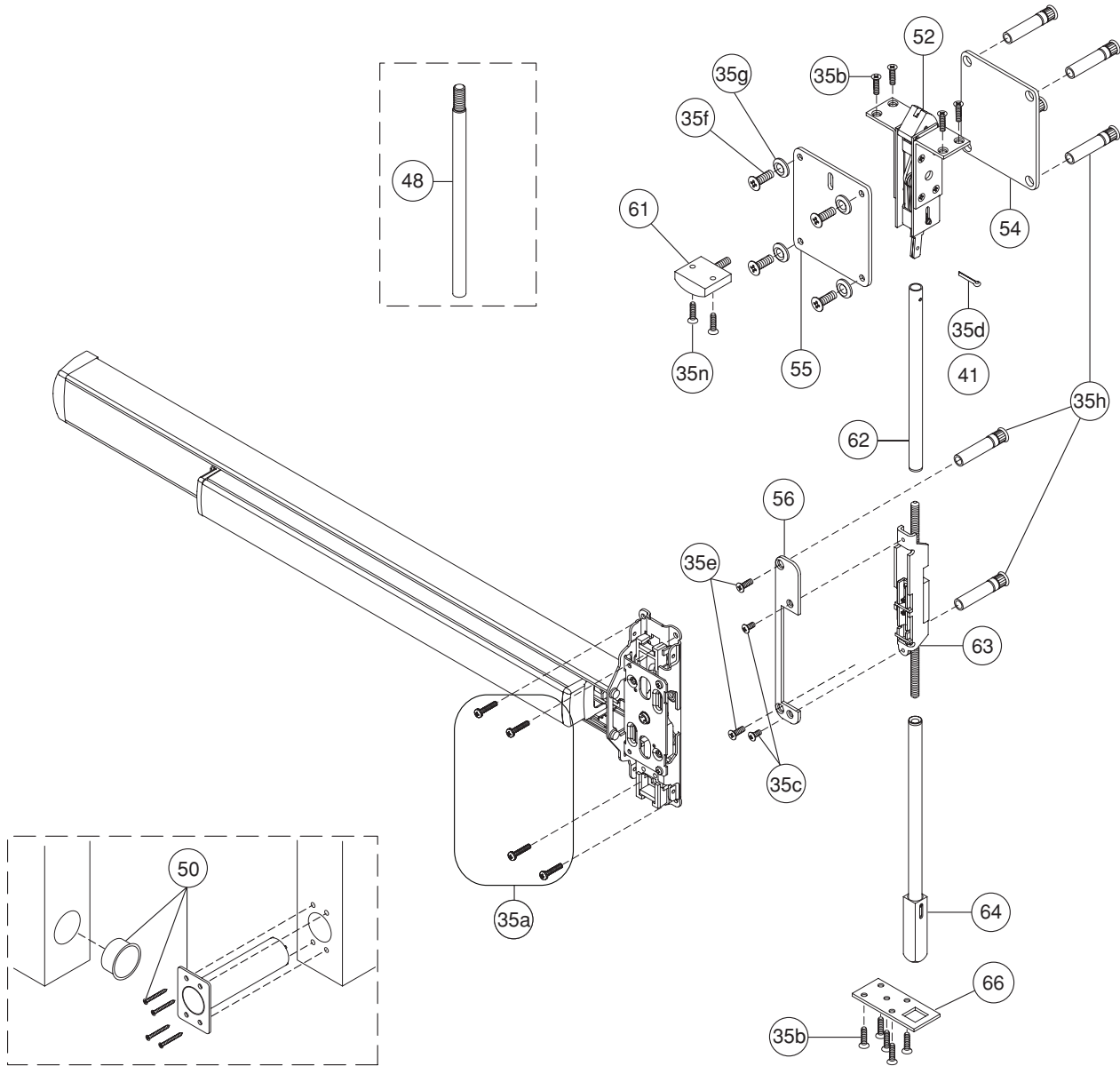
Architectural / Heavy Duty

25 Series

# 25-C-WDC and F-25-C-WDC-20 Concealed vertical rods and latches

Wood door—panic devices, wood door—20 minute fire device

**EXITS**  
 Pushpads  
 Architectural / Heavy Duty  
 25 Series



F-25-C-WDC-20 Device shown

**REFERENCE NOTE:**  
 F-25-C-WDC-20 is no longer available for purchase. Parts listed for installed SERVICE ONLY.

Prices subject to change without notice

Concealed vertical rods and latches **25-C-WDC and F-25-C-WDC-20**

No.	Qty.	Part no.	Description	Package contents		Notes
17	1	060109	Hex Dogging Key 7/32" package of 10			
35	1	650299	F-25-CWDC Mounting Pkg 1 3/4" Door	35a	8- #10 x 1 1/4" PPHSMS	A
				—	4- #10-24 x 1" PPHMS	
				35b	11- #10 x 1 1/4" FPHSMS	
				35c	2- #8-32 x 3/8" UFPHMS	
				35d	1- 1/8 x 1" Cotter Key	
				35e	2- 3/4" CS Plate Mtg Screw	
				35f	4- 1/4-20 x 3/4" FPHMS	
				35g	4- 1/4" CS Washer	
				35h	6- 1/4-20 Sexbolt	
		35n	4- #10-24 x 3/4" FPHMS			
		650296	25-CWDC Mounting Pkg 2 1/4" Door	35a	8- #10 x 1 1/4" PPHSMS	A
				—	4- #10-24 x 1 1/2" PPHMS	
				35b	11- #10 x 1 1/4" FPHSMS	
				35c	2- #8-32 x 3/8" UFPHMS	
				35d	1- 1/8 x 1" Cotter Key	
				35e	2- 3/4" CS Plate Mtg Screw	
				35f	4- 1/4-20 x 1 1/4" FPHMS	
				35g	4- 1/4" CS Finish Washer	
				35h	6- 1/4-20 Sexbolt	
35n	2- #10-24 x 3/4" FPHMS					
41	1	060111	1/8 x 1" Cotter Key package of 10			
48	1	650017	Concealed Vertical Extension Rod 12"			
		650018	Concealed Vertical Extension Rod 24"			
		650019	Concealed Vertical Extension Rod 36"			
49	1	WF603	F-25-CWDC Top Latch Case			*
50	1	5494	Auxiliary Fire Latch Kit (Less Bottom Rod application only)			
52	1	F603	F-25-C Top Latch Case			
54	1	4833	Top Reinforcement Plate			A
55	1	4834	Top Reinforcement Plate with Access Hole			A
56	1	4832	(F)25-CWDC Center Slide Reinforcement Plate			
61	1	650339	(F)25-C, CWDC Top Latch Release Kit			A
62	1	610061	(F)25-C, CWDC Top Rod Kit			
63	1	650376	(F)25-C, CWDC Center Slide Assembly			
64	1	610057	(F)25-C, CWDC Bottom Rod Kit			
66	1	4835	25-CWDC Bottom Bolt Guide			

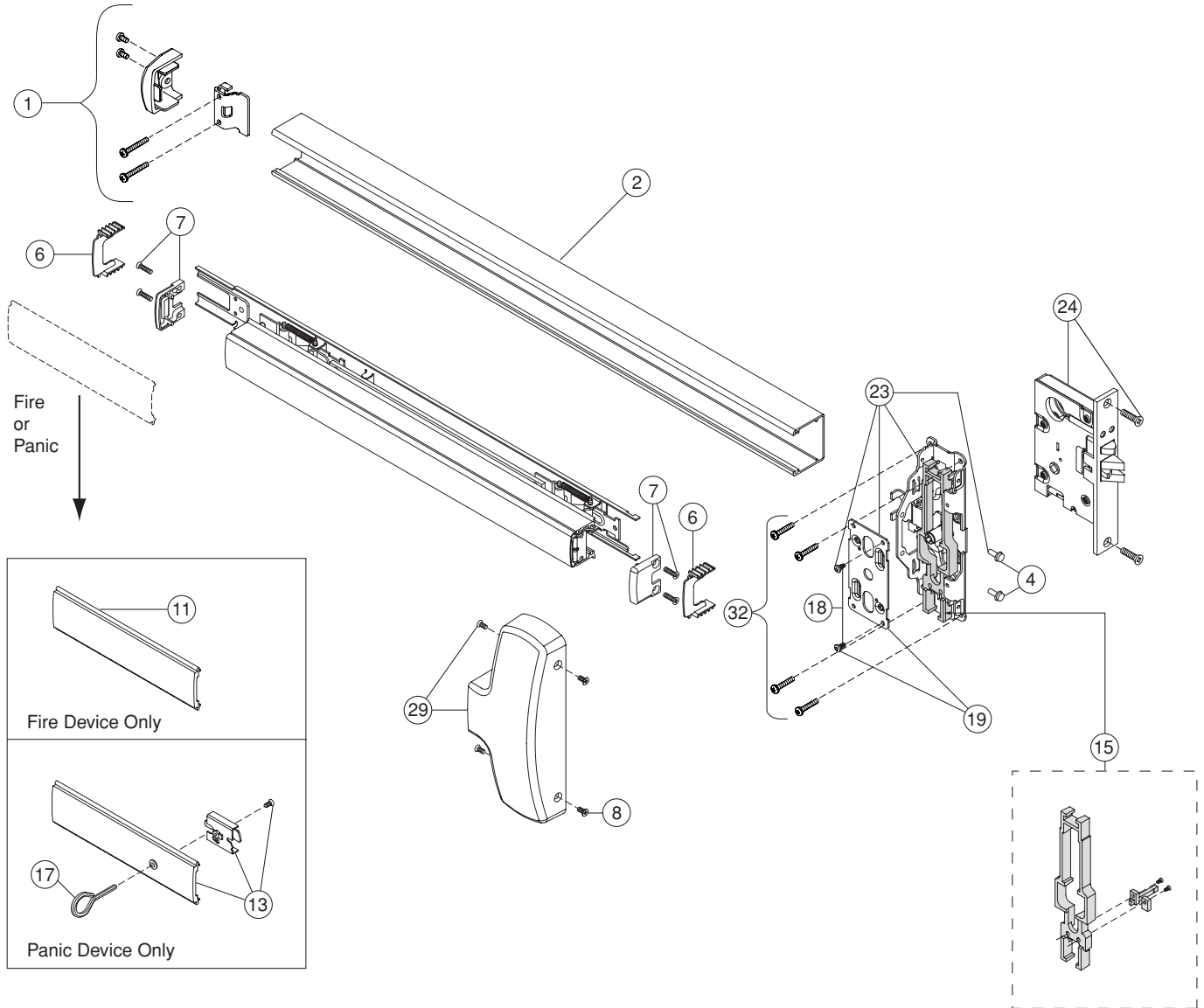
\* Item(s) not shown.

A Specify by finish: US3, US4, US10, US26, US26D, US32, US32D, US28, 313AN

Prices subject to change without notice

# (F)25-M Mortise exit device

## Panic and fire



EXITS

Pushpads

Architectural / Heavy Duty

25 Series

No.	Qty.	Part no.	Description	Package contents	Notes
1	1	650294	25 Channel Endcap Kit 1¾" Door	1- Channel Endcap	A
				2- #10-24 x ¾" PPHMS	
				1- Channel Endcap Bracket	
				2- #10-24 x 1" PPHMS	
				2- #10 x 1¼" PPHSMS	

Prices subject to change without notice

No.	Qty.	Part no.	Description	Package contents	Notes
1	1	650348	25 Channel Endcap Kit 2 1/4" Door	1- Channel Endcap	A
				2- #10-24 x 3/8" PPHMS	
				1- Channel Endcap Bracket	
				2- #10-24 x 1" PPHMS	
				2- #10 x 1 1/4" PPHSMS	
2	1	661412	25 Channel 3'		A
		661413	25 Channel 4'		
4	1	600305	25 Channel Screw package of 10	#10-16 x 1/2" Hex Washer Head Taptite	
6	1	600319	25 Pushbar Guide Pkg	2- Pushbar Guide	
7	1	600310	25 Pushbar Endcap Kit	2- Pushbar Endcap	A
				4- #8-18 x 3/4" FPHSMS	
8	1	600307	25 Center Case Cover Screw Pkg	4- #8-18 x 3/8" UFPHMS	A
11	1	650227	F-25 Channel Cover Plate 3'		B
		650228	F-25 Channel Cover Plate 4'		
13	1	650191	25 Hex Dogging Kit 3'	1- Panic Channel Cover (3' or 4')	A
		650192	25 Hex Dogging Kit 4'	1- Dogging Subassembly 1- #8-32 x 3/8" UFPHMS	
15	1	650377	25-M Center Case Slide Bar Assembly LHR		C
		650378	25-M Center Case Slide Bar Assembly RHR		
17	1	060109	Hex Dogging Key 7/32" package of 10		
18	1	600308	25-V/M/C Housing Screw Pkg	2- #8-32 x 3/8" PPHMS Trilob	
19	1	650261	25-V/M/C Housing Kit	2- #8-32 x 3/8" PPHMS Trilob	
				1- Vertical Housing	
23	1	650246	(F)25-M Center Case Kit, RHR	1- Center Case	
				2- #10-16 x 1/2" Hex Washer Head Taptite	
				1- Mortise Finger	
		650398	(F)25-M Center Case Kit, LHR	1- Mortise Block 2- #10-24 x 3/8" UFPHMS	
24	1	8500	Mortise Lock Assembly	1- Mortise Lock	
				2- #12-24 x 1/2" UFPHMS	
29	1	650259	(F)25-C, M Center Case Cover Kit	1- Center Case Cover	A
				4- #8-18 x 3/8" UFPHMS	
32	1	650345	(F)25-R/M Mounting Pkg 1 3/4" Door	6- #10 x 1 1/4" PPHSMS	*
				4- #10-24 x 3/4" PPHMS	
				2- #10-24 x 1" PPHMS	
				1- Tailpiece Guide	
	650293	(F)25-R/M Mounting Pkg 2 1/4" Door	6- #10 x 1 1/4" PPHSMS	*	
			4- #10-24 x 1 1/4" PPHMS		
			2- #10-24 x 1 1/2" PPHMS		
				1- Tailpiece Guide	*

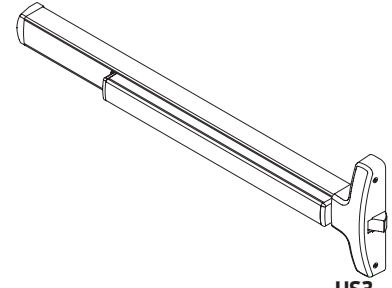
\* Item(s) not shown.

A Specify by finish: US3, US4, US10, US26, US26D, US32, US32D, US28, 313AN

B Lift Finger is pre-installed on the Slide Bar Assembly. Screws secured with Loctite®.

Prices subject to change without notice

3' Devices are priced with standard trim and strikes, 4' add \$21 list.  
Cylinders are not included in the price.



**EXIT HARDWARE**  
**Rim Devices**  
(Includes 299 Strike)

	Trim/Control	US28	US32D	313AN	US19* US26D	US26	US32	US10	US4	US3 643E* US15*
* 24-R-EO		1314	1650	1392	1598	1659	1690	1659	1690	1805
* 24-R-NL-OP	(Supplied as NL less trim)	1314	1650	1392	1598	1659	1690	1659	1690	1805
<b>Delta Trim (handed and field reversible)</b>										
24-R-DT	717DT	1523	1950	1649	1898	1959	1990	1868	1899	2105
24-R-DT	718DT	1717	1972	1622	1920	1981	2012	2062	2093	2127
* 24-R-NL	718NL*	1523	1950	1649	1898	1959	1990	1868	1899	2105
* 24-R-C	718C*	1476	1880	1601	1828	1889	1920	1821	1852	2035
<b>Knob Control (handed and field reversible)</b>										
24-R-K	711K	1509	2008	1676	1956	2017	2048	1854	1885	2163
24-R-K-BE	711K-BE	1509	2008	1676	1956	2017	2048	1854	1885	2163
24-R-K-NL	711K-NL	1509	2008	1676	1956	2017	2048	1854	1885	2163
<b>Dane Lever Control (handed and field reversible)</b>										
* 24-R-L	712L*	1707	2090	1804	2038	2099	2130	2052	2083	2245
* 24-R-L-BE	712L-BE*	1707	2090	1804	2038	2099	2130	2052	2083	2245
* 24-R-L-NL	712L-NL*	1707	2090	1804	2038	2099	2130	2052	2083	2245
* 24-R-L-DT	712L-DT*	1707	2090	1804	2038	2099	2130	2052	2083	2245

\* These devices and 712L, 712L-BE, 712L-NL, 712L-DT, 718C, 718NL trims are available in 643E, US15 and US19 finishes.

**REFERENCE NOTES:**

24 Series ordered in 313AN will be supplied with trims in SP313.  
**Handing:** Trims are furnished RHR when handing is not specified.  
24 Rim, comes with dead latching as a standard effective April 3, 2017.

**Sex Bolts:**

Optional Sex Bolts are recommended for center case mounting when device is used with hollow core wood, composite or light gauge hollow metal doors. See chart below for quantities and list prices.

Application	Sex Bolt 325 (Optional)	Sex Bolt 425 (Optional)	List Add
Hollow core wood, composite or light gauge hollow metal doors - EO (exit only device)	2	4	96
Hollow core wood, composite or light gauge hollow metal doors - Device with Trim	Not Required	4	64

Prices subject to change without notice

EXITS

Pushpads

Architectural /  
Heavy Duty

24 Series

**3' Devices are priced with standard trim and strikes, 4' add \$21 list.  
Cylinders are not included in the price.**

**EXIT HARDWARE**

**Rim Devices**

(Includes 299F Strike)

	Trim/Control	US28	US32D	313AN	US19* US26D	US26	US32	US10	US4	US3 643E* US15*
* F-24-R-EO		1550	1886	1628	1834	1895	1926	1895	1926	2041
* F-24-R-NL-OP	(Supplied as NL less trim)	1550	1886	1628	1834	1895	1926	1895	1926	2041
<b>Delta Trim (handed and field reversible)</b>										
F-24-R-DT	717DT	1759	2186	1885	2134	2195	2226	2104	2135	2341
F-24-R-DT	718DT	1953	2208	1858	2156	2217	2248	2298	2329	2363
* F-24-R-NL	718NL*	1759	2186	1885	2134	2195	2226	2104	2135	2341
* F-24-R-C	718C*	1712	2116	1837	2064	2125	2156	2057	2088	2271
<b>Knob Control (handed and field reversible)</b>										
F-24-R-K	711K	1745	2244	1912	2192	2253	2284	2090	2121	2399
F-24-R-K-BE	711K-BE	1745	2244	1912	2192	2253	2284	2090	2121	2399
F-24-R-K-NL	711K-NL	1745	2244	1912	2192	2253	2284	2090	2121	2399
<b>Dane Lever Control (handed and field reversible)</b>										
* F-24-R-L	712L*	1943	2326	2040	2274	2335	2366	2288	2319	2481
* F-24-R-L-BE	712L-BE*	1943	2326	2040	2274	2335	2366	2288	2319	2481
* F-24-R-L-NL	712L-NL*	1943	2326	2040	2274	2335	2366	2288	2319	2481
* F-24-R-L-DT	712L-DT*	1943	2326	2040	2274	2335	2366	2288	2319	2481

\* These devices and 712L, 712L-BE, 712L-NL, 712L-DT, 718C, 718NL trims are available in 643E, US15 and US19 finishes.

**REFERENCE NOTES:**

24 Series ordered in 313AN will be supplied with trims in SP313.

**Handing:** Trims are furnished RHR when handing is not specified.

**Sex Bolts:**

Sex Bolts are supplied for center case mounting when device is used with wood, composite or non-reinforced hollow metal doors.

Application	Sex Bolt 325 (Supplied)	Sex Bolt 425 (Supplied)
Wood, composite or non-reinforced hollow metal doors - <b>EO (exit only device)</b>	2	4
Wood, composite or non-reinforced hollow metal doors - <b>Device with Trim</b>	Not Required	4

**EXITS**  
  
 Pushpads  
  
 Architectural /  
 Heavy Duty  
  
 24 Series

Prices subject to change without notice

3' Devices are priced with standard trim and strikes, 4' add \$21, 2' (less label) add \$130 list. Cylinders are not included in the price.

**EXIT HARDWARE**

**Surface Vertical Rod Devices**  
(Includes 3788 and 2130 Strikes)

Trim/Control	US28	US32D	313AN	US19* US26D	US26	US32	US10	US4	US3 643E* US15*
* 24-V-EO	1715	2177	1817	2097	2177	2220	2177	2220	2348
* 24-V-NL-OP (Supplied as NL less trim)	1715	2177	1817	2097	2177	2220	2177	2220	2348
<b>Delta Trim (handed and field reversible)</b>									
24-V-DT 717DT	1924	2477	2074	2397	2477	2520	2386	2429	2648
24-V-DT 718DT	2118	2499	2047	2419	2499	2542	2580	2623	2670
* 24-V-NL 718NL*	1924	2477	2074	2397	2477	2520	2386	2429	2648
* 24-V-C 718C*	1877	2407	2026	2327	2407	2450	2339	2382	2578
<b>Knob Control (handed and field reversible)</b>									
24-V-K 711K	1910	2535	2101	2455	2535	2578	2372	2415	2706
24-V-K-BE 711K-BE	1910	2535	2101	2455	2535	2578	2372	2415	2706
24-V-K-NL 711K-NL	1910	2535	2101	2455	2535	2578	2372	2415	2706
<b>Dane Lever Control (handed and field reversible)</b>									
* 24-V-L 712L*	2108	2617	2229	2537	2617	2660	2570	2613	2788
* 24-V-L-BE 712L-BE*	2108	2617	2229	2537	2617	2660	2570	2613	2788
* 24-V-L-NL 712L-NL*	2108	2617	2229	2537	2617	2660	2570	2613	2788
* 24-V-L-DT 712L-DT*	2108	2617	2229	2537	2617	2660	2570	2613	2788

\* These devices and 712L, 712L-BE, 712L-NL, 712L-DT, 718C, 718NL trims are available in 643E, US15 and US19 finishes.

**REFERENCE NOTES:**

24 Series ordered in 313AN will be supplied with trims in SP313.

24-V Device ordered in US15 will be supplied with US32D Rod and Latch Cover.

**Handing:** 24-V devices and noted Trims are handed and field reversible. The Device and Trims are furnished RHR when handing is not specified.

**Extension Rods:** For door heights over 7'0" up to 8'0", 12" extension rods are furnished at no additional charge at the time of device order. For door heights over 8'0" up to 10'0" extension rods are furnished at prices shown in parts section with the device at the time of order. MUST specify door height on order line.

**Sex Bolts:**

Optional Sex Bolts are recommended for center case and latch mounting when device is used with hollow core wood, composite or light gauge hollow metal doors. See chart below for quantities and list prices.

Application	Latches Sex Bolt 2729 (Optional)	Device Sex Bolt 425 (Optional)	Device Sex Bolt 325 (Optional)	List Add
Hollow core wood, composite or light gauge hollow metal doors - <b>EO (exit only device)</b>	6	2	2	142
Hollow core wood, composite or light gauge hollow metal doors - <b>Device with Trim</b>	6	2	Not Required	110
Hollow core wood, composite or light gauge hollow metal doors - <b>EO (exit only device) LBR</b>	3	2	2	103
Hollow core wood, composite or light gauge hollow metal doors - <b>Device with Trim LBR</b>	3	2	Not Required	71

Prices subject to change without notice

EXITS

Pushpads

Architectural /  
Heavy Duty

24 Series



**3' Devices are priced with standard trim and strikes, 4' add \$21 list, 2' (less label) add \$130 list. Cylinders are not included in the price.**

**FIRE EXIT HARDWARE**  
**Surface Vertical Rod Devices**  
 (Includes 3788 and 2130 Strikes)

Trim/Control	US28	US32D	313AN	US19* US26D	US26	US32	US10	US4	US3 643E* US15*
* F-24-V-EO	1934	2396	2036	2316	2396	2439	2396	2439	2567
* F-24-V-NL-OP (Supplied as NL less trim)	1934	2396	2036	2316	2396	2439	2396	2439	2567
<b>Delta Trim (handed and field reversible)</b>									
F-24-V-DT 717DT	2143	2696	2293	2616	2696	2739	2605	2648	2867
F-24-V-DT 718DT	2337	2718	2266	2638	2718	2761	2799	2842	2889
* F-24-V-NL 718NL*	2143	2696	2293	2616	2696	2739	2605	2648	2867
* F-24-V-C 718C*	2096	2626	2245	2546	2626	2669	2558	2601	2797
<b>Knob Control (handed and field reversible)</b>									
F-24-V-K 711K	2129	2754	2320	2674	2754	2797	2591	2634	2925
F-24-V-K-BE 711K-BE	2129	2754	2320	2674	2754	2797	2591	2634	2925
F-24-V-K-NL 711K-NL	2129	2754	2320	2674	2754	2797	2591	2634	2925
<b>Dane Lever Control (handed and field reversible)</b>									
* F-24-V-L 712L*	2327	2836	2448	2756	2836	2879	2789	2832	3007
* F-24-V-L-BE 712L-BE*	2327	2836	2448	2756	2836	2879	2789	2832	3007
* F-24-V-L-NL 712L-NL*	2327	2836	2448	2756	2836	2879	2789	2832	3007
* F-24-V-L-DT 712L-DT*	2327	2836	2448	2756	2836	2879	2789	2832	3007

\* These devices and 712L, 712L-BE, 712L-NL, 712L-DT, 718C, 718NL trims are available in 643E, US15 and US19 finishes.

**REFERENCE NOTES:**

24 Series ordered in 313AN will be supplied with trims in SP313.

24-V Device ordered in US15 will be supplied with US32D Rod and Latch Cover.

**Handing:** F-24-V devices and noted Trims are handed and field reversible. The Device and Trims are furnished RHR when handing is not specified.

**Extension Rods:** For door heights over 7'0" up to 8'0", 12" extension rods are furnished at no additional charge at the time of device order.

For door heights over 8'0" up to 10'0" extension rods are furnished at prices shown in parts section with the device at the time of order.

MUST specify door height on order line.

**Sex Bolts:**

One 4122 Sex Bolt is supplied standard no charge for hinge side mounting. Sex Bolts are supplied for center case and latch mounting when device is used with wood, composite or non-reinforced hollow metal doors.

Application	Latches Sex Bolt 2729 (Supplied)	Device Sex Bolt 425 (Supplied)	Device Sex Bolt 325 (Supplied)
Wood, composite or non-reinforced hollow metal doors - EO (exit only device)	6	2	2
Wood, composite or non-reinforced hollow metal doors - Device with Trim	6	2	Not Required
Wood, composite or non-reinforced hollow metal doors - EO (exit only device) LBR	3	2	2
Wood, composite or non-reinforced hollow metal doors - Device with Trim LBR	3	2	Not Required

Prices subject to change without notice

3' Devices are priced with standard trim and strikes, 4' add \$21 list, 2' (less label) add \$130 list. Cylinders are not included in the price.

**EXIT HARDWARE**  
**Concealed Vertical Rod Devices**  
 (Includes Strikes 4188 and 2130)

	Trim/Control	US28	US32D	313AN	US19* US26D	US26	US32	US10	US4	US3 643E* US15*
* 24-C-EO		1800	2247	1911	2201	2292	2336	2292	2336	2470
<b>Delta Trim (handed and field reversible)</b>										
24-C-DT	717DT	2009	2547	2168	2501	2592	2636	2501	2545	2770
24-C-DT	718DT	2203	2569	2141	2523	2614	2658	2695	2739	2792
* 24-C-NL	718NL*	2009	2547	2168	2501	2592	2636	2501	2545	2770
* 24-C-C	718C*	1962	2477	2120	2431	2522	2566	2454	2498	2700
<b>Knob Control (handed and field reversible)</b>										
24-C-K	711K	1995	2605	2195	2559	2650	2694	2487	2531	2828
24-C-K-BE	711K-BE	1995	2605	2195	2559	2650	2694	2487	2531	2828
24-C-K-NL	711K-NL	1995	2605	2195	2559	2650	2694	2487	2531	2828
<b>Dane Lever Control (handed and field reversible)</b>										
* 24-C-L	712L*	2193	2687	2323	2641	2732	2776	2685	2729	2910
* 24-C-L-BE	712L-BE*	2193	2687	2323	2641	2732	2776	2685	2729	2910
* 24-C-L-NL	712L-NL*	2193	2687	2323	2641	2732	2776	2685	2729	2910
* 24-C-L-DT	712L-DT*	2193	2687	2323	2641	2732	2776	2685	2729	2910

\* These devices and 712L, 712L-BE, 712L-NL, 712L-DT, 718C, 718NL trims are available in 643E, US15 and US19 finishes.

**REFERENCE NOTES:**

24 Series ordered in 313AN will be supplied with trims in SP313.

**Handing:** All 24-C Devices and Trims are handed and field reversible. The Device and Trims are furnished RHR when handing is not specified.

**Extension Rods:** For door heights over 7'0" up to 8'0", 12" extension rods are furnished at no additional charge at the time of device order. Must specify door height on order line. For door heights over 8'0" up to 10'0" extension rods are furnished at prices shown in parts section with the device at the time of order. MUST specify door height on order line.

**Sex Bolts:**

Optional Sex Bolts are recommended for center case when device is used with light gauge hollow metal doors. See chart below for quantities and list prices.

Application	Device Sex Bolt 425 (Optional)	Device Sex Bolt 325 (Optional)	List Add
Light gauge hollow metal doors - <b>EO (exit only device)</b>	2	2	64
Light gauge hollow metal doors - <b>Device with Trim</b>	2	Not Required	32

Prices subject to change without notice

EXITS

Pushpads

Architectural /  
Heavy Duty

24 Series

**3' Devices are priced with standard trim and strikes, 4' add \$21 list, and 2' (less label) add \$130 list. Cylinders are not included in the price.**

**FIRE EXIT HARDWARE**  
**Concealed Vertical Rod Devices**  
 (Includes Strikes 4188 and 2130)

	Trim/Control	US28	US32D	313AN	US19* US26D	US26	US32	US10	US4	US3 643E* US15*
<b>* F-24-C-EO</b>		2019	2466	2130	2420	2511	2555	2511	2555	2689
<b>Delta Trim (handed and field reversible)</b>										
<b>F-24-C-DT</b>	717DT	2228	2766	2387	2720	2811	2855	2720	2764	2989
<b>F-24-C-DT</b>	718DT	2422	2788	2360	2742	2833	2877	2914	2958	3011
<b>* F-24-C-NL</b>	718NL*	2228	2766	2387	2720	2811	2855	2720	2764	2989
<b>* F-24-C-C</b>	718C*	2181	2696	2339	2650	2741	2785	2673	2717	2919
<b>Knob Control (handed and field reversible)</b>										
<b>F-24-C-K</b>	711K	2214	2824	2414	2778	2869	2913	2706	2750	3047
<b>F-24-C-K-BE</b>	711K-BE	2214	2824	2414	2778	2869	2913	2706	2750	3047
<b>F-24-C-K-NL</b>	711K-NL	2214	2824	2414	2778	2869	2913	2706	2750	3047
<b>Dane Lever Control (handed and field reversible)</b>										
<b>* F-24-C-L</b>	712L*	2412	2906	2542	2860	2951	2995	2904	2948	3129
<b>* F-24-C-L-BE</b>	712L-BE*	2412	2906	2542	2860	2951	2995	2904	2948	3129
<b>* F-24-C-L-NL</b>	712L-NL*	2412	2906	2542	2860	2951	2995	2904	2948	3129
<b>* F-24-C-L-DT</b>	712L-DT*	2412	2906	2542	2860	2951	2995	2904	2948	3129

\* These devices and 712L, 712L-BE, 712L-NL, 712L-DT, 718C, 718NL trims are available in 643E, US15 and US19 finishes.

**REFERENCE NOTES:**

24 Series ordered in 313AN will be supplied with trims in SP313.

**Handing:** All F-24-C Devices and Trims are handed and field reversible. The Device and Trims are furnished RHR when handing is not specified.

**Extension Rods:** For door heights over 7'0" up to 8'0", 12" extension rods are furnished at no additional charge at the time of device order.

For door heights over 8'0" up to 10'0" extension rods are furnished at prices shown in parts section with the device at the time of order.

MUST specify door height on order line.

**Sex Bolts:**

Sex Bolts are supplied for center case mounting when device is used with non-reinforced hollow metal doors.

See chart below for quantities.

Application	Device Sex Bolt 425 (Supplied)	Device Sex Bolt 325 (Supplied)
Non-reinforced hollow metal doors - <b>EO (exit only device)</b>	2	2
Non-reinforced hollow metal doors - <b>Device with Trim</b>	2	Not Required

Prices subject to change without notice

3' Devices are priced with standard trim and strikes, 4' add \$21 list, 2' (less label) add \$130 list. Cylinders are not included in the price.

**EXIT HARDWARE**

**Wood Door Concealed Vertical Rod Devices**  
(Includes Strikes 4188 and 2130)

	Trim/Control	US28	US32D	313AN	US19* US26D	US26	US32	US10	US4	US3 643E* US15*
* 24-CWDC-EO		2193	2739	2330	2681	2790	2846	2790	2846	3009
<b>Delta Trim (handed and field reversible)</b>										
24-CWDC-DT	717DT	2402	3039	2587	2981	3090	3146	2999	3055	3309
24-CWDC-DT	718DT	2596	3061	2560	3003	3112	3168	3193	3249	3331
* 24-CWDC-NL	718NL*	2402	3039	2587	2981	3090	3146	2999	3055	3309
* 24-CWDC-C	718C*	2355	2969	2539	2911	3020	3076	2952	3008	3239
<b>Knob Control (handed and field reversible)</b>										
24-CWDC-K	711K	2388	3097	2614	3039	3148	3204	2985	3041	3367
24-CWDC-K-BE	711K-BE	2388	3097	2614	3039	3148	3204	2985	3041	3367
24-CWDC-K-NL	711K-NL	2388	3097	2614	3039	3148	3204	2985	3041	3367
<b>Dane Lever Control (handed and field reversible)</b>										
* 24-CWDC-L	712L*	2586	3179	2742	3121	3230	3286	3183	3239	3449
* 24-CWDC-L-BE	712L-BE*	2586	3179	2742	3121	3230	3286	3183	3239	3449
* 24-CWDC-L-NL	712L-NL*	2586	3179	2742	3121	3230	3286	3183	3239	3449
* 24-CWDC-L-DT	712L-DT*	2586	3179	2742	3121	3230	3286	3183	3239	3449

\* These devices and 712L, 712L-BE, 712L-NL, 712L-DT, 718C, 718NL trims are available in 643E, US15 and US19 finishes.

**REFERENCE NOTES:**

24 Series ordered in 313AN will be supplied with trims in SP313.

**Handing:** All 24-CWDC Devices and Trims are handed and field reversible. The Device and Trims are furnished RHR when handing is not specified.

**Extension Rods:** For door heights over 7'0" up to 8'0", 12" extension rods are furnished at no additional charge at the time of device order. For door heights over 8'0" up to 10'0" extension rods are furnished at prices shown in parts section with the device at the time of order. MUST specify door height on order line.

**Sex Bolts:**

Optional Sex Bolts are recommended for center case when device is used with hollow core or composite doors. See chart below for quantities and list prices.

Application	Device Sex Bolt 425 (Optional)	Device Sex Bolt 325 (Optional)	List Add
Hollow core or composite doors - <b>EO (exit only device)</b>	2	2	64
Hollow core or composite doors - <b>Device with Trim</b>	2	Not Required	32

Prices subject to change without notice

EXITS

Pushpads

Architectural /  
Heavy Duty

24 Series

**3' Devices are priced with standard trim and strikes, 4' add \$21 list, 2' (less label) add \$130 list. Cylinders are not included in the price.**

**FIRE EXIT HARDWARE**

**Wood Door Concealed Vertical Rod Devices**

(Includes Strikes 4188 and 2130)

	Trim/Control	US28	US32D	313AN	US19*			US10	US4	US3
					US26	US32	US26D			643E*
* F-24-CWDC-EO		2412	2958	2549	2900	3009	3065	3009	3065	3228
<b>Delta Trim (handed and field reversible)</b>										
F-24-CWDC-DT	717DT	2621	3258	2806	3200	3309	3365	3218	3274	3528
F-24-CWDC-DT	718DT	2815	3280	2779	3222	3331	3387	3412	3468	3550
* F-24-CWDC-NL	718NL*	2621	3258	2806	3200	3309	3365	3218	3274	3528
* F-24-CWDC-C	718C*	2574	3188	2758	3130	3239	3295	3171	3227	3458
<b>Knob Control (handed and field reversible)</b>										
F-24-CWDC-K	711K	2607	3316	2833	3258	3367	3423	3204	3260	3586
F-24-CWDC-K-BE	711K-BE	2607	3316	2833	3258	3367	3423	3204	3260	3586
F-24-CWDC-K-NL	711K-NL	2607	3316	2833	3258	3367	3423	3204	3260	3586
<b>Dane Lever Control (handed and field reversible)</b>										
* F-24-CWDC-L	712L*	2805	3398	2961	3340	3449	3505	3402	3458	3668
* F-24-CWDC-L-BE	712L-BE*	2805	3398	2961	3340	3449	3505	3402	3458	3668
* F-24-CWDC-L-NL	712L-NL*	2805	3398	2961	3340	3449	3505	3402	3458	3668
* F-24-CWDC-L-DT	712L-DT*	2805	3398	2961	3340	3449	3505	3402	3458	3668

\* These devices and 712L, 712L-BE, 712L-NL, 712L-DT, 718C, 718NL trims are available in 643E, US15 and US19 finishes.

**REFERENCE NOTES:**

Consult wood door manufacturer for listing compatibility.

24 Series ordered in 313AN will be supplied with trims in SP313.

**Handing:** All F-24-CWDC Devices and Trims are handed and field reversible. The Device and Trims are furnished RHR when handing is not specified.

**Extension Rods:** For door heights over 7'0" up to 8'0", 12" extension rods are furnished at no additional charge at the time of device order.

For door heights over 8'0" up to 10'0" extension rods are furnished at prices shown in parts section with the device at the time of order.

MUST specify door height on order line.

**Sex Bolts:**

Sex Bolts are supplied for center case mounting when device is used with hollow core or composite doors. See chart below for quantities.

Application	Device Sex Bolt 425 (Supplied)	Device Sex Bolt 325 (Supplied)
Hollow core or composite doors - <b>EO (exit only device)</b>	2	2
Hollow core or composite doors - <b>Device x Trim</b>	2	Not Required

Prices subject to change without notice

### Cylinder Dogging

Not for use with Fire Exit Hardware

Prefix		List Add
<b>CD</b>	Cylinder Dogging available on all 24 series Panic Devices.	73
<b>LD</b>	Less Dogging available on all 24 series Panic Devices.	N/C

### Less Bottom Rod

Suffix		List Add
<b>LBR</b>	Less Bottom Rod available with UL Fire Label at no additional charge on F-24-V and F-24-C devices. Fire rated LBR devices must be ordered in pairs of Vertical Rod Devices. <b>For Fire Rated Devices specify one device LBR and second device LBR-AFL.</b> Second device provided with a Fire Pin.	N/C

### Electric Latch Retraction

Prefix		List Add
<b>EL</b>	<b>Electric Latch Retraction</b> - Available on all 24 series Panic and Fire Devices. Electrical Latch cannot be used in combination with CD, EA or KOR options.	846
<b>MEL</b>	<b>Motorized Electric Latch Retraction</b> - Available on all 24 series Panic and Fire Devices. Motorized Electric Latch Retraction cannot be used in combination with AX, HD, CD, EA, or KOR options.	777

**REFERENCE NOTE:**

PS914 is required for EL operation. See Power Supply section for more detail.

### Device Monitoring

Prefix		List Add
<b>RX</b>	<b>Touch Bar Request to Exit Switch</b> available on all 24 series devices. RX device monitoring switch can be used in combination with a second DM or LM switch (except for 24-R panic and fire).	234
<b>KOR</b>	<b>Key Override</b> - Override device monitoring on a door by use of a keyed cylinder. KOR must be used in combination with a device monitoring switch.	66

### Exit Alarm

Prefix		List Add
<b>EA</b>	<b>Exit Alarm</b> available on 24R, 24V, 24C, and 24C-WDC Panic and Fire Devices. Price includes switch - "RX" is standard, "DC" is optional at no charge. To order "Less Switch", <b>Deduct \$234 list.</b>	582

### Allegion Connect

Suffix		List Add
<b>CON</b>	Cross-category solution using common interconnect components for electrified options. Available with MEL, MEL-RX, EL, RX, EA, EL-RX, options.	N/C

**NOTE:** For wire harness options refer to Power Supply and Electronic Component Section.

EXITS

Pushpads

Architectural / Heavy Duty

24 Series

Prices subject to change without notice

**Cylinders are not included in price unless noted.**

## Athena Trim

Model No.	Device Type	Description	US4, US10, SP28	SP313	US15	US3, US26 US26D
715DT	R, V	Dummy Trim	144	265	265	265

## Control Trim

Model No.	Device Type	Description	US4, US10, SP28	SP313	US3, US15, US26, US26D,
711K	R, V	Knob, Key Locks or Unlocks	195	284	358
711K	C	Knob, Key Locks or Unlocks	195	284	358
711K-BE	R, V	Knob, Blank Escutcheon	195	284	358
711K-BE	C	Knob, Blank Escutcheon	195	284	358
711K-NL	R, V	Knob, Night Latch	195	284	358
711K-NL	C	Knob, Night Latch	195	284	358

711 series trim are handed and field reversible. Trims are furnished RHR when handing is not specified.

## Delta Controls

Model No.	Device Type	Description	US4, US10, SP28	SP313	US3, US15, US19, US26, US26D
717DT	R, V	Dummy Trim	209	257	300
717DT	C	Dummy Trim	209	257	300

717 series trim are handed and field reversible. Trims are furnished RHR when handing is not specified.

## Delta Controls

Model No.	Device Type	Description	US4, US10, SP28	SP313	US3, 643E* US15, US19*, US26 US26D
718DT	C	Dummy Trim	403	230	322
718NL*	R, V	Night Latch	209	257	300
718NL*	C	Night Latch	209	257	300
718C*	R, V	Night Latch Less Pull	162	209	230
718C*	C	Night Latch Less Pull	162	209	230

**\* Available in 643E and US19.**

718 series trim are handed and field reversible. Trims are furnished RHR when handing is not specified.

## Control Lever Trims

Model No.	Device Type	Description	US4, US10, SP28	SP313	US3, 643E* US15, US19*, US26 US26D
712L*	R, V	Dane Lever, Key Locks or Unlocks	393	412	440
712L*	C	Dane Lever, Key Locks or Unlocks	393	412	440
712L-BE*	R, V	Dane Lever, Blank Escutcheon	393	412	440
712L-BE*	C	Dane Lever, Blank Escutcheon	393	412	440
712L-NL*	R, V	Dane Lever, Night Latch	393	412	440
712L-NL*	C	Dane Lever, Night Latch	393	412	440
712L-DT*	R, V	Dane Lever, Dummy Trim	393	412	440
712L-DT*	C	Dane Lever, Dummy Trim	393	412	440

**\* Available in 643E and US19.**

712 series trim are handed and field reversible. Trims are furnished RHR when handing is not specified.

The Dane Lever is furnished standard. Optional lever designs Sutro, Quantum, Avalon, Danish, Broadway, Boardwalk, Longitude, and Latitude are available at no additional charge.

24 Series ordered in US32D will be supplied with trims in US15.

Prices subject to change without notice

## Rim Strikes

Model	Description	Unfinished	US19	US26D	US32D	US4	US10	SP313	US10B	US3	US26	US32
<b>264</b>	24/25-R Panic Devices - Opt.	-	119	139	-	-	-	-	-	-	-	-
<b>299</b>	24/25-R Panic Devices - Std.	-	73	86	-	86	-	86	-	112	112	-
<b>299F</b>	24/25-R Fire Devices - Std.	-	90		120	141	141		141	162		162
<b>1439</b>	24/25-R Panic Devices - Opt.	-	173	-	-	-	-	-	-	-	-	-
<b>1606</b>	24/25-R Panic Devices - Opt.	86		-	-	-	-	-	-	-	-	-
<b>1609-D24</b>	24-R Panic Devices - Opt. Must be used with a Coordinator. Not a UL fire exit hardware listed application.	-	119	-	-	-	-	-	-	-	-	-

## Vertical Rod Top Strikes

Model	Description	Unfinished
<b>3788</b>	19/24/25/XX-V Panic and Fire Devices	61
<b>4188</b>	24/25/XX-C,CWDC Panic and Fire Devices	61

## Vertical Rod Bottom Strikes

Model	Description	Unfinished
<b>2130</b>	19-V/24/25/XX-V,C Panic or Fire - Std.	61
<b>4155</b>	19-V/24/25/XX-V,C Panic	61

### REFERENCE NOTES:

Refer to device catalogs for specific door application strike requirements.

Prices subject to change without notice



## Cover Plates & Filler Plates

Model No.	Description	Unfinished
3722	Strike cover - ASA 4-7/8"	15
3723	Mortise front - 8" x 1-1/4"	15
3721	Lock front - 2-1/4" x 1-1/8"	15

## Cylinders

Model No.	Description	US26D	US3, US4, US10, US10B US32, US32D
985	1-1/8" Mortise Cylinder with Straight Cam #24	72	74
986	1-1/4" Mortise Cylinder with Straight Cam #24	72	74
951	Rim Cylinder	72	74
C987	1-3/8" Interchangeable Core Mortise Cylinder Housing	42	44
C953	Interchangeable Core Rim Cylinder Housing	45	47

### REFERENCE NOTES:

Interchangeable Core Cylinder Housing uses #5 cam.  
 Custom Keying not available. Falcon G - default keyway.  
 Cylinder type needed is determined by trim function.  
 IC Cylinder Housings sold LESS SFIC

## Cylinder Dogging Kits

Model No.	Description	Part No.	US3, US4, US10, US26, US26D, US28, US32D, 313AN, US19
24CDK-3	24 Series - 3' device	650155	73
24CDK-4	24 Series - 4' device	650156	73

### REFERENCE NOTES:

Cylinder Sold Separately.

When a device is ordered "with CD with Cylinder" a 1-1/4" mortise cylinder (986 Falcon G x straight cam KD) is supplied for CD.  
 CD Kits can also pair with a 1-1/8" mortise cylinder (985 Falcon G x straight cam KD). Must be ordered separately.

Prices subject to change without notice

### Dummy Touch Bars

3' Device pricing below, 4' add \$21 list.

Model No.	Description	SP28 SP313	US4 US10	US32D	US3, US32, US15, US19, 643e, US26, US26D
250DT	24/25 Series Dummy Touch Bar	388	429	488	557
<b>Optional Features:</b>					
Prefix					<b>List Add</b>
RX	Touchbar Request to Exit Switch - For D250 only				234
KOR	Key Override device monitoring on a door by use of a keyed cylinder - For D250 only				66

### Extension Rods

Part No.	Description	All Finishes
650006	24/25/19/XX-V Extension Rod 12" (ER12-V)	25
650007	24/25/19/XX-V Extension Rod 24" (ER24-V)	43
650008	24/25/19/XX-V Extension Rod 36" (ER36-V)	70
650017	24/25/XX-C, CWDC Extension Rod 12" (ER12-C)	25
650018	24/25/XX-C, CWDC Extension Rod 24" (ER24-C)	43
650019	24/25/XX-C, CWDC Extension Rod 36" (ER36-C)	70

**REFERENCE NOTES:**

- 1) Surface Vertical and Concealed Vertical Rod Devices for door heights over 7'0" up to 8'0", 12" extension rods are furnished at no additional charge at the time of device order. Must specify door height on order line.
- 2) For door heights over 8'0" up to 10'0" extension rods are furnished at prices shown above with the device at the time of order. MUST specify door height on order line.
- 3) Replacement extension rods can be ordered individually by the part numbers listed above.

### Electric and Alarm Kits

Model No.	Description	Part #	Part Number w/ Allegion Connect (-CON)	US3, US4, US10, US19, US26, US26D, US28, US32D, 313AN
24-EAK-3	24 Series Exit Alarm Kit 3'	650163	650704	582
24-EAK-4	24 Series Exit Alarm Kit 4'	650164	650705	582

Model No.	Description	Part #	US3, US4, US10, US19, US26, US26D, US32D, SP28, SP313
ELK-3	24/25 Electric Latch Retraction Kit 3'	650147	846
ELK-4	24/25 Electric Latch Retraction Kit 4'	650148	846

Model No.	Description	Part #	Part Number w/ Allegion Connect (-CON)	US3, US4, US10, US26, US26D, US28, US32D, SP313
24-MELK-3	24 Motorized Electric Latch Retraction Kit 3'	47266632	47270548	747
24-MELK-4	24 Motorized Electric Latch Retraction Kit 4'	47266633	47270549	747

**NOTE:** MEL kit cannot be used to convert an EL device.

Model No.	Description	Part #	Unfinished
24/25 RX KIT	24/25 Series RX Switch Kit	650359	289

Prices subject to change without notice

EXITS

Pushpads

Architectural /  
Heavy Duty

24 Series

**Shim Kits**

Model No.	Description	Part #	US19
<b>SK24-R</b>	24 Rim Shim Kit - 1/4"	650109	77
<b>SK24-V-8</b>	24 Surface Vertical Shim Kit - 1/4" - over 7' up to 8' doors	650110	77
<b>SK24-V-10</b>	24 Surface Vertical Shim Kit - 1/4" - over 8' up to 10' doors	650208	77

**REFERENCE NOTES:**

All shim kits for use on door thicknesses up to 2". Consult factory for door thickness over 2"

**SLM Blocking**

***For use with devices on doors with special high density blocking material. Blocking material must be UL or Warnock Hersey approved.***

Model No.	Description	Part #	Unfinished
<b>F-24-R/C</b>	F-24 Rim/Concealed Vertical SLM Blocking Kit	600333	22
<b>F-24-V</b>	F-24 Surface Vertical SLM Blocking Kit	600334	24

Prices subject to change without notice

(F) 24 Exit Devices

Part No.	Description	Unfin- ished	US28	US32D	313AN	US26D	US10 US26 US32	US4	US3	US19
650234	(F) 24-R Center Case Kit	708	-	-	-	-	-	-	-	-
650236	(F) 24-V Center Case Kit	295	-	-	-	-	-	-	-	-
650238	(F) 24-C Center Case Kit RHR	284	-	-	-	-	-	-	-	-
090978	(F) 24-C Center Case Kit LHR	284	-	-	-	-	-	-	-	-
650247	24-R Center Case Cover Kit	-	144	179	154	177	183	190	197	177
650249	F-24-R Center Case Cover Kit	-	144	179	154	177	183	190	197	177
650251	(F) 24-V Center Case Cover Kit	-	144	179	154	177	183	190	197	177
650253	(F) 24-C Center Case Cover Kit	-	144	179	154	177	183	190	197	177
600307	24 Series Center Case Cover Mtg Pkg	-	-	-	14	-	14	14	14	14
661408	24 Series Channel 3' Door	-	95	118	103	113	118	121	131	-
661409	24 Series Channel 4' Door	-	119	152	124	151	154	157	161	-
650121	F-24 Series Channel Cover 3'	-	46	46	46	46	46	46	46	-
650122	F-24 series Channel Cover 4'	-	51	51	51	51	51	51	51	-
650116	24 Series CD Channel Cover 4'	-	65	65	65	65	65	65	65	-
650117	24 Series CD Channel Cover 3'	-	57	57	57	57	57	57	57	-
650131	24 Series EA Channel Cover 3'	-	86	86	86	86	86	86	86	-
650132	24 Series EA Channel Cover 4'	-	99	99	99	99	99	99	99	-
650139	24 Series KOR Channel Cover 3'	-	73	73	73	73	73	73	73	-
650140	24 Series KOR Channel Cover 4'	-	77	77	77	77	77	77	77	-
650187	24 Series Hex Dogging Kit 3'	-	76	76	76	76	76	76	76	76
650188	24 Series Hex Dogging Kit 4'	-	81	81	81	81	81	81	81	81
610480	24 Panic Dogging Housing	22	-	-	-	-	-	-	-	-
060109	24 Hex Dogging Key 7/32" (Pkg of 10)	17	-	-	-	-	-	-	-	-
650294	24 Channel End Cap Kit 1-3/4" Door	-	36	45	40	43	46	46	48	43
650348	24 Channel End Cap Kit 2-1/4" Door	-	36	45	40	43	46	46	48	-
600305	24 Series Channel Screw Pkg	19	-	-	-	-	-	-	-	-
600310	24 Series Push Bar End Cap Kit	-	40	47	41	46	47	48	52	-
600319	24 Series Push Bar Guide Pkg	14	-	-	-	-	-	-	-	-
650324	(F) 24-R Mounting Pkg 1-3/4" Door	35	-	-	-	-	-	-	-	-
650302	(F) 24-R Mounting Pkg 2-1/4" Door	34	-	-	-	-	-	-	-	-
650304	24-V Mounting Pkg 1-3/4" - 2-1/4" Door	51	-	-	-	-	-	-	-	-
650325	F-24-V Mounting Pkg 1-3/4" Door	51	-	-	-	-	-	-	-	-
650201	F-24-V Mounting Pkg 2-1/4" Door	51	-	-	-	-	-	-	-	-
650318	24-C Mounting Pkg 1-3/4" Door	35	-	-	-	-	-	-	-	-
650300	24-C Mounting Pkg 2-1/4" Door	35	-	-	-	-	-	-	-	-
650317	F-24-C Mounting Pkg 1-3/4" Door	35	-	-	-	-	-	-	-	-
650346	F-24-C Mounting Pkg 2-1/4" Door	35	-	-	-	-	-	-	-	-
650326	24-CWDC Mounting Pkg 1-3/4" Door	-	-	74	74	-	-	74	-	-
650298	24-CWDC Mounting Pkg 2-1/4" Door	-	-	74	74	-	-	74	-	-
650327	F-24-CWDC Mounting Pkg 1-3/4" Door	74	-	-	-	-	-	-	-	-
060111	Cotter Key 1/8" x 1" (Package of 10)	17	-	-	-	-	-	-	-	-
600320	EL Solenoid Pkg	211	-	-	-	-	-	-	-	-
600321	EL Plunger Solenoid Pkg	80	-	-	-	-	-	-	-	-
650359	24/25 Series RX Switch Kit	289	-	-	-	-	-	-	-	-
050534	EL Potted Circuit Breaker	357	-	-	-	-	-	-	-	-
650265	Exit Alarm Label - Service	13	-	-	-	-	-	-	-	-
650716	Old Style Falcon 24 Vertical LM Switch Replacement Kit	282	-	-	-	-	-	-	-	-
650713	LM Switch Replacement Kit	243	-	-	-	-	-	-	-	-
650712	LM Con Switch Replacement Kit	254	-	-	-	-	-	-	-	-
650717	Old Style Falcon 24 Vertical DM Switch Replacement Kit	289	-	-	-	-	-	-	-	-
650715	DM Switch Replacement Kit	254	-	-	-	-	-	-	-	-
650714	DM Con Switch Replacement Kit	265	-	-	-	-	-	-	-	-
114320	MEL motor cable	15	-	-	-	-	-	-	-	-
47269206	MEL motor cable with 6' cable	68	-	-	-	-	-	-	-	-
106198	MEL 6" Allegion Connect adapter cable	15	-	-	-	-	-	-	-	-
040069	MEL motor cable with MEL 6" Allegion Connect adapter cable	68	-	-	-	-	-	-	-	-
47270296	24 Series 3' MEL channel cover plate	-	109	109	109	109	109	109	109	109
47270297	24 Series 4' MEL channel cover plate	-	114	114	114	114	114	114	114	114
47266852	MEL motor mounting screws, pkg. of 2	22	-	-	-	-	-	-	-	-

Prices subject to change without notice

EXITS

Pushpads

Architectural / Heavy Duty

24 Series

**(F) 24 Exit Devices - Latches and Rods**

Part No.	Description	Unfinished	SP28	US32D	313AN	US26D	US10 US26 US32
<b>650389</b>	24-V Top Latch Case	138	-	-	-	-	-
<b>650375</b>	F-24-V Top Latch Case	142	-	-	-	-	-
<b>650202</b>	24-V Latch Case Cover Kit	-	80	80	104	104	104
<b>650336</b>	24-V Latch Case Cover Mounting Pkg	-	12	12	12	12	12
<b>650311</b>	24-V Rod Guide Kit	-	61	65	-	77	57
<b>650387</b>	24-V Bottom Bolt Guide (Latch cover sold separately)	13	-	-	-	-	-
<b>4450</b>	24-V Top Rod Kit	-	104	104	104	104	104
<b>610056</b>	24-V Bottom Rod Kit	-	140	140	140	140	140
<b>603</b>	24-C, C-WDC Top Latch Case	235	-	-	-	-	-
<b>F603</b>	F-24-C Top Latch Case	328	-	-	-	-	-
<b>WF603</b>	F-24-CWDC Top Latch Case	328	-	-	-	-	-
<b>650339</b>	(F) 24-C, CWDC Top Latch Release Kit	-	46	46	46	46	40
<b>4567</b>	24-C Bottom Bolt Guide	56	-	-	-	-	-
<b>4835</b>	24-CWDC Bottom Bolt Guide	51	-	-	-	-	-
<b>4694</b>	F-24-CWDC Latch Bracket	13	-	-	-	-	-
<b>650351</b>	(F) 24-C, CWDC Center Slide Assy	340	-	-	-	-	-
<b>4833</b>	24-CWDC Reinforcement Plate	-	37	50	37	50	50
<b>4834</b>	24-CWDC Reinforcement Plate w/ Access Hole	-	37	50	37	50	50
<b>610061</b>	(F) 24-C, CWDC Top Rod Kit	104	-	-	-	-	-
<b>610057</b>	(F) 24-C, CWDC Bottom Rod Kit	140	-	-	-	-	-
<b>5494</b>	F-24-C Auxiliary Fire Pin Kit (LBR application only)	177	-	-	-	-	-
<b>660002</b>	#10 x 1 1/4" FPHSMS Clear Zinc	12	-	-	-	-	-

EXITS

Pushpads

Architectural /  
Heavy Duty

24 Series

Prices subject to change without notice

24 Series Trim

Part No.	Description	Unfinished	SP28 SP313	US26D US32D	US10 US26	US4 US32	US3
4120	710NL, 718C/NL Cylinder Spacer Collar	12	-	-	-	-	-
4121	710NL, 718C/NL Cylinder Anchor Plate	12	-	-	-	-	-
661560	700/900 Locking Plate	22	-	-	-	-	-
4270	700 Series Trim Hex Stud	12					
4349	Control Hex Stud	12	-	-	-	-	-
650314	700/900 Lever Actuator Spring	12	-	-	-	-	-
661567	700/900 Locking Spring	22	-	-	-	-	-
600288	717/718/719 Pull Grip Screw Pkg	12					
650366	TP/K/L Actuator Shaft Assembly	12	-	-	-	-	-
650313	710TP Retainer Plate	35	-	-	-	-	-
650312	711/712-R/V Retainer Plate	41	-	-	-	-	-
060136	712L-C Output Cam Pkg 2-1/4" Dr	48	-	-	-	-	-
060137	712L-C Output Cam Pkg 1-3/4" Dr	48	-	-	-	-	-
060138	700/900 OUTPUT CAM PKG - R/V	33	-	-	-	-	-
650151	715DT Mtg Pkg 1-3/4"	-	16	16	16	16	16
650152	715DT Mtg Pkg 2-1/4"	-	16	16	16	16	16
650153	717DT Mtg Pkg 1-3/4"	-	12	12	12	12	12
650154	717DT Mtg Pkg 2-1/4"	-	12	12	12	12	12
650157	710DT Mtg Pkg 1-3/4"	-	12	12	12	12	12
650158	710DT Mtg Pkg 2-1/4"	-	12	12	12	12	12
650161	710NL Mtg Pkg 1-3/4"	-	27	27	27	27	27
650162	710NL Mtg Pkg 2-1/4"	-	27	27	27	27	27
650165	710TP Mtg Pkg 1-3/4"	-	16	16	16	16	16
650166	710TP Mtg Pkg 2-1/4"	-	16	16	16	16	16
650169	718C/NL-R/V Mtg Pkg 1-3/4"	-	16	16	16	16	16
650170	718C/NL-R/V Mtg Pkg 2-1/4"	-	16	16	16	16	16
650173	718NL-C Mtg Pkg 1-3/4"	-	35	35	35	35	35
650174	718NL-C Mtg Pkg 2-1/4"	-	35	35	35	35	35
650177	718C-CV Mtg Pkg 1-3/4"	-	35	35	35	35	35
650178	718C-CV Mtg Pkg 2-1/4"	-	35	35	35	35	35
650181	718DT Mtg Pkg 1-3/4"	-	12	12	12	12	12
650182	718DT Mtg Pkg 2-1/4"	-	12	12	12	12	12
650185	718TP Mtg Pkg 1-3/4"	-	12	12	12	12	12
650186	718TP Mtg Pkg 2-1/4"	-	12	12	12	12	12
650189	711/712/719 Mtg Pkg 1-3/4"	12	-	-	-	-	-
650190	711/712/719 Mtg Pkg 2-1/4"	12	-	-	-	-	-
650327	F-24 CWDC SERV Mtg Pkg	74	-	-	-	-	-
600339	700/900 NL Spring Pkg	12	-	-	-	-	-
600283	Shear Pin, package of 5	13	-	-	-	-	-

24 Series Trim

Part No.	Description	Unfinished	SP28	SP313	US26D US32D	US10 US26	US4 US32	US3
600298	Knob Assy	-	159	170	197	204	208	219
600299	Dane Lever Kit	-	118	123	151	153	155	161
600300	Sutro Lever Kit	-	118	123	151	153	155	161
600301	Quantum Lever Kit	-	118	123	151	153	155	161
600337	Avalon Lever Kit	-	190	192	192	262	192	262

Prices subject to change without notice

Part No.	Description	List Price
650277	24/25 Maintenance Kit (See below for what is supplied in Kit)	\$2,113.00

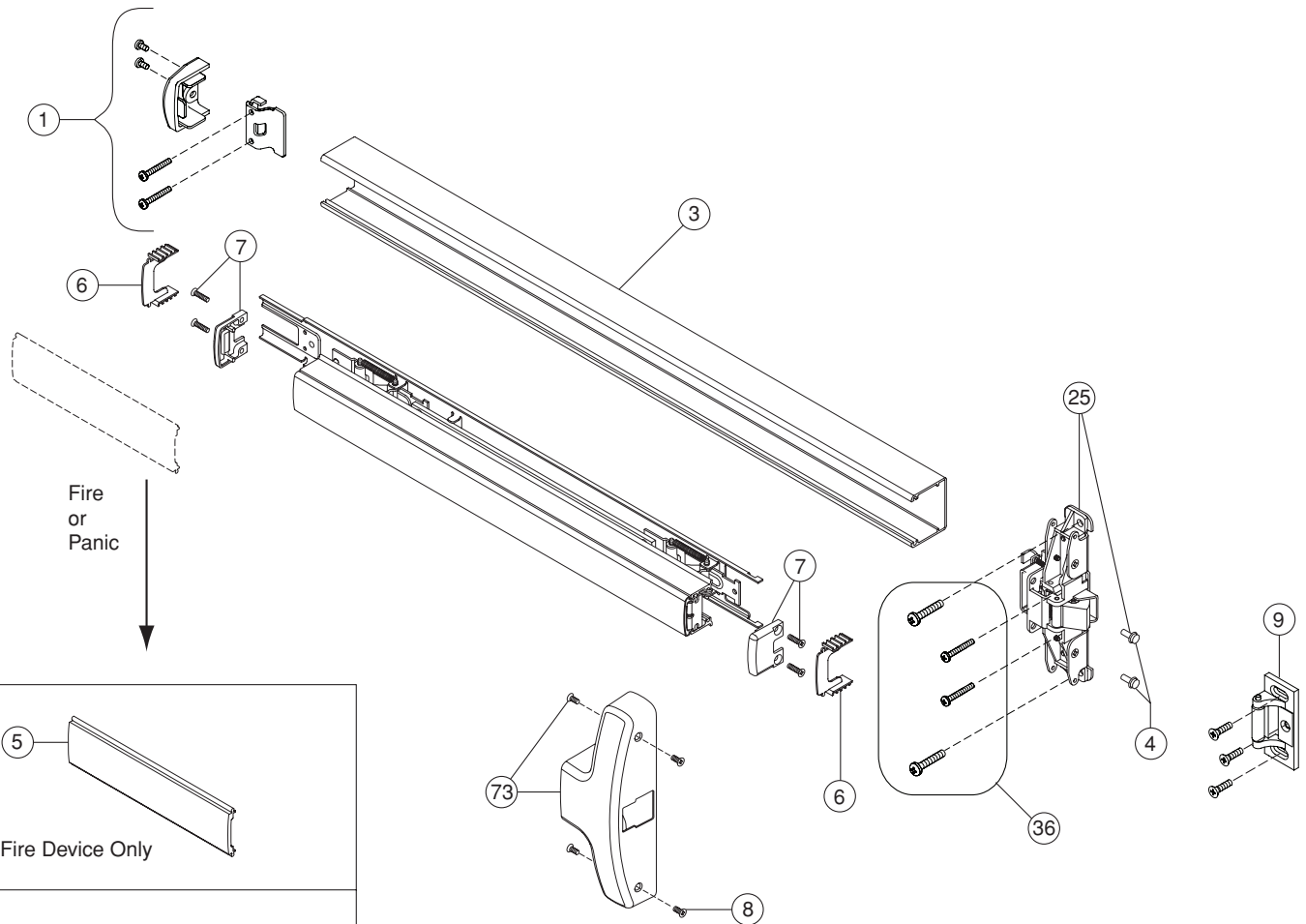
## Refill Parts/Packages

Part No.	Description	Refill List Price Each	Kit Contents Qty
<b>299 Strike</b>	299 Strike US19	72.00	5
<b>325 SNB</b>	325 Sex Bolt, 1/4-20 US32D (Pkg of 2)	32.00	10
<b>425 SNB</b>	425 Sex Bolt, 10-24 US32D (Pkg of 2)	32.00	10
<b>4208</b>	CD/EA/KOR Cylinder Retaining Bracket	12.00	30
<b>060126</b>	512/718 Lever Washer (Pkg of 10)	12.00	1
<b>3894-000</b>	Cylinder Nut BRS	12.00	10
<b>650311</b>	Rod Guide Kit US32D	65.00	6
<b>650311</b>	Rod Guide Kit SP28	61.00	2
<b>650311</b>	Rod Guide Kit SP313	65.00	2
<b>060109</b>	Hex Dogging Key 7/32" (Pkg of 10)	17.00	1
<b>650231</b>	512 Mtg Pkg US4 1-3/4" Dr	12.00	2
<b>650231</b>	512 Mtg Pkg US10B 1-3/4" Dr	12.00	2
<b>650231</b>	512 Mtg Pkg US26D 1-3/4" Dr	12.00	6
<b>650294</b>	24/25 End Cap Kit US32D 1-3/4" Dr.	45.00	6
<b>650294</b>	24/25 End Cap Kit US26D 1-3/4" Dr.	43.00	2
<b>650294</b>	24/25 End Cap Kit SP28 1-3/4" Dr.	36.00	1
<b>650294</b>	24/25 End Cap Kit SP313 1-3/4" Dr.	40.00	1
<b>600283</b>	511 Trim Shear Pin (Pkg of 5)	13.00	6
<b>640001</b>	24 Device Plastic Mounting Template	12.00	2
<b>640002</b>	25 Device Plastic Mounting Template	12.00	2
<b>650267</b>	510/513 Trim Shear Pin (Pkg of 10)	29.00	3
<b>060112</b>	8500 Lock Housing Screws (Pkg of 10)	12.00	2
<b>060113</b>	24/25-C Latch Screw (Pkg of 10)	12.00	5
<b>060114</b>	Rod Guide Screws (Pkg of 10)	12.00	3
<b>060119</b>	510/511/512/513 Back Plate Screws (Pkg of 10)	12.00	5
<b>600309</b>	25 Lift Finger Screws (Pkg of 2)	13.00	10
<b>600173</b>	8500 Lock Face Screws US3/US4/US10	12.00	10
<b>600173</b>	8500 Lock Face Screws US26D/US32D	12.00	10
<b>600173</b>	8500 Lock Face Screws US10B	12.00	10
<b>060120</b>	8500 Lock Backplate Screws (Pkg of 10)	12.00	5
<b>060121</b>	24/25-V Latch Cover Screws US26D/US32D/US28 (Pkg of 10)	12.00	5
<b>060121</b>	24/25-V Latch Cover Screws US3/US4/US10 (Pkg of 10)	12.00	5
<b>060121</b>	24/25-V Latch Cover Screws US10B (Pkg of 10)	12.00	5
<b>060123</b>	Electric Option Dogging Screw (Pkg of 10)	12.00	5
<b>060122</b>	K-NL/L-NL Spindle Cam Screw (Pkg of 10)	14.00	2
<b>060124</b>	K/L/TL Trim Lock Nut (Pkg of 10)	12.00	1
<b>600305</b>	24/25 Channel Screw (Pkg of 10)	19.00	3
<b>060111</b>	Cotter Key 1/8" x 1" (Pkg of 10)	17.00	5
<b>600279</b>	Cylinder Nut Tool (Pkg of 5)	24.00	2
<b>060125</b>	FSE/FSE Trim Pivot Pin (Pkg of 10)	12.00	2
<b>600319</b>	24/25 Pushbar Guide (Pkg of 2)	14.00	10
<b>600278</b>	25 Trim Cylinder Locknut	14.00	10
<b>060117</b>	25 Center Case Mtg Screws (Pkg of 10)	12.00	5
<b>060118</b>	24 Center Case Housing Screws (Pkg of 10)	12.00	5
<b>060116</b>	25-R/M Device Mounting Screws (Pkg of 10)	12.00	5
<b>060115</b>	FSA/FSE Trim Screws (Pkg of 10)	12.00	5
<b>600307</b>	24/25 Center Case Cover Screws US3 (Pkg of 4)	14.00	12
<b>600307</b>	24/25 Center Case Cover Screws US4 (Pkg of 4)	14.00	12
<b>600307</b>	24/25 Center Case Cover Screws US10 (Pkg of 4)	14.00	12
<b>600307</b>	24/25 Center Case Cover Screws US10B (Pkg of 4)	14.00	12
<b>600307</b>	24/25 Center Case Cover Screws US26D/US32D/SP28 (Pkg of 4)	14.00	12
<b>600277</b>	510/513 Spindle Cam Ret. Ring (Pkg of 10)	13.00	2
<b>600308</b>	25 Housing Plate Screws (Pkg of 2)	13.00	2
<b>970321</b>	299 Strike Shim	16.00	20

Prices subject to change without notice

# (F)24 Rim exit device

## Panic and fire

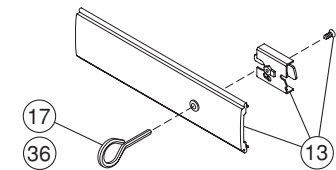
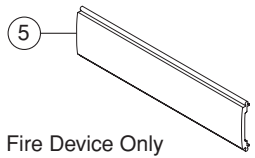


EXITS

Pushpads

Architectural / Heavy Duty

24 Series



Prices subject to change without notice



No.	Qty.	Part no.	Description	Package contents	Notes
1	1	650294	24 Channel Endcap Kit 1¾" Door	1- Channel Endcap	A
				2- #10-24 x 3/8" PPHMS	
				1- Channel Endcap Bracket	
				2- #10-24 x 1" PPHMS	
				2- #10 x 1¼" PPHSMS	
		650348	24 Channel Endcap Kit 2¼" Door	1- Channel Endcap	A
				2- #10-24 x 3/8" PPHMS	
				1- Channel Endcap Bracket	
				2- #10-24 x 1" PPHMS	
				2- #10 x 1¼" PPHSMS	
3	1	661408	24 Channel 3'		A
		661409	24 Channel 4'		
4	1	600305	24 Channel Screw Pkg	10- #10-16 x 1/2" Hex Washer Head Taptite	
5	1	650121	F-24 Channel Cover 3'		A, B
		650122	F-24 Channel Cover 4'		
6	1	600319	24 Pushbar Guide Pkg	2- Pushbar Guide	
7	1	600310	24 Pushbar Endcap Kit	2- Pushbar Endcap	A
				4- #8-18 x 3/4" FPHSMS	
8	1	600307	Center Case Cover Screw Pkg	4- #8-18 x 3/8" UFPHMS	A
9	1	299	299 Strike		C
13	1	650187	24 Hex Dogging Kit 3'	1- Panic Channel Cover 1- Dogging Subassembly	A, B
		650188	24 Hex Dogging Kit 4'	1- #8-32 x 3/8" UFPHMS	
17	1	060109	24 Panic Hex Dogging Key 7/32" package of 10		
25	1	650234	(F)24-R Center Case Kit	2- #10-16 x 1/2" Hex Washer Head Taptite	
36	1	650324	(F)24-R Mounting Pkg 1¾" Door	2- #10 x 1¼" PPHSMS	*
				2- #14 x 1" PPHSMS	*
				2- 1/4 - 20 x 3/4" PPHMS	
				2- 10-24 x 1½" PPHMS	
				1- Dogging Key	
	1	650302	(F)24-R Mounting Pkg 2¼" Door	2- #10 x 1¼" PPHSMS	*
				2- #14 x 1" PPHSMS	*
				2- 1/4 - 20 x 1¼" PPHMS	*
				2- #10-24 x 2" PPHMS	*
73	1	650247	24-R Center Case Cover Kit	1- Center Case Cover	A
		650249	F-24-R Center Case Cover Kit	4- #8-18 x 3/8" UFPHMS	

\* Item(s) not shown

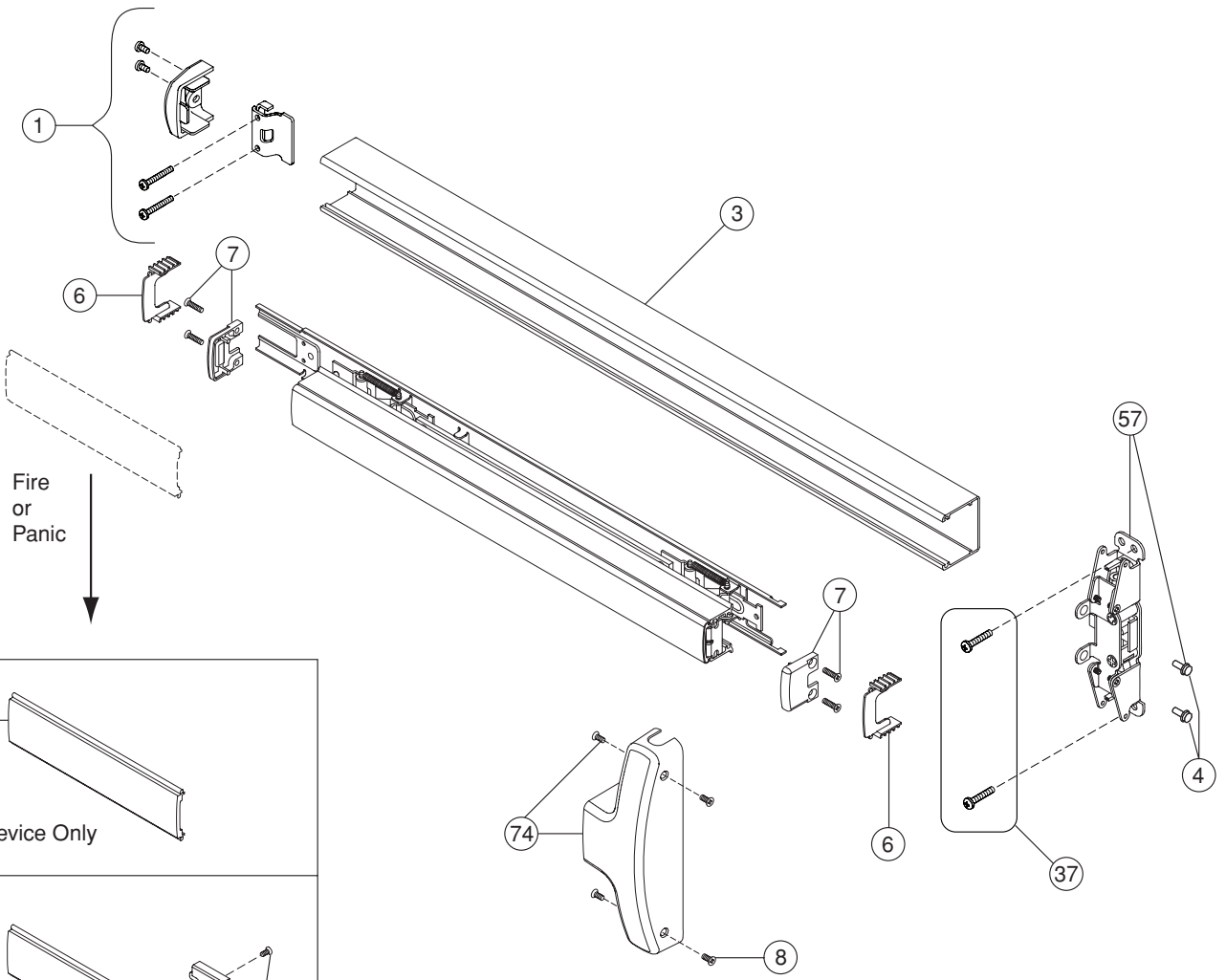
A Specify by finish: US3, US4, US10, 313AN, US26, US32, US26D, US32D, US28

B Specify by finish: US3, US4, US10, US19, US26, US26D, SP313

Prices subject to change without notice

# (F)24-V Surface vertical rod exit device

## Panic and fire



**EXITS**  
 Pushpads  
 Architectural / Heavy Duty  
 24 Series

Prices subject to change without notice

No.	Qty.	Part no.	Description	Package contents	Notes
1	1	650294	24 Channel Endcap Kit 1¾" Door	1- Channel Endcap	A
				2- #10-24 x ¾" PPHMS	
				1- Channel Endcap Bracket	
				2- #10-24 x 1" PPHMS	
				2- #10 x 1¼" PPHSMS	
1	1	650348	24 Channel Endcap Kit 2¼" Door	1- Channel Endcap	A
				2- #10-24 x ¾" PPHMS	
				1- Channel Endcap Bracket	
				2- #10-24 x 1" PPHMS	
				2- #10 x 1¼" PPHSMS	
3	1	661408	24 Channel 3'		A
		661409	24 Channel 4'		
4	1	600305	24 Channel Screw Pkg	10- #10-16 x ½" Hex Washer Head Taptite	
5	1	650121	F-24 Channel Cover 3'		A, B
		650122	F-24 Channel Cover 4'		
6	1	600319	24 Pushbar Guide Pkg	2- Pushbar Guide	
7	1	600310	24 Pushbar Endcap Kit	2- Pushbar Endcap	A
				4- #8-18 x ¾" FPHSMS	
8	1	600307	Center Case Cover Screw Pkg	4- #8-18 x ¾" UFPHMS	A
13	1	650187	24 Hex Dogging Kit 3'	1- Panic Channel Cover 1- Dogging Subassembly	A, B
		650188	24 Hex Dogging Kit 4'	1- #8-32 x ¾" UFPHMS	
17	1	060109	24 Panic Hex Dogging Key 7/32" package of 10		
37	1	650304	24-V Mounting Pkg 1¾" - 2¼" Door	4- #10 x 1¼" PPHSMS	*
				2- #10 x 1¼" FPHSMS	*
				2- #14 x 1" PPHSMS	*
				1- ½ x 1" Cotter Key	*
				1- Dogging Key	
		650325	F-24-V Mounting Pkg 1¾" Door	2- #10-24 x ¾" PPHMS	*
				4- #10-24 x ¾" FPHMS	*
				2- 1/4-20 x ¾" PPHMS	
		650201	F-24-V Mounting Pkg 2¼" Door	1- ½ x 1" Cotter Key	*
				2- #10-24 x 1¼" PPHMS	*
				4- #10-24 x 1¼" FPHMS	*
				2- 1/4-20 x 1¼" PPHMS	*
				1- ½" x 1" Cotter Key	*
57	1	650236	(F)24-V Center Case Kit	1- Center Case	A
				2- #10-16 x ½" Hex Washer Head Taptite	
74	1	650251	(F)24-V Center Case Cover Kit	1- Center Case Cover	A
				4- #8-18 x ¾" UFPHMS	

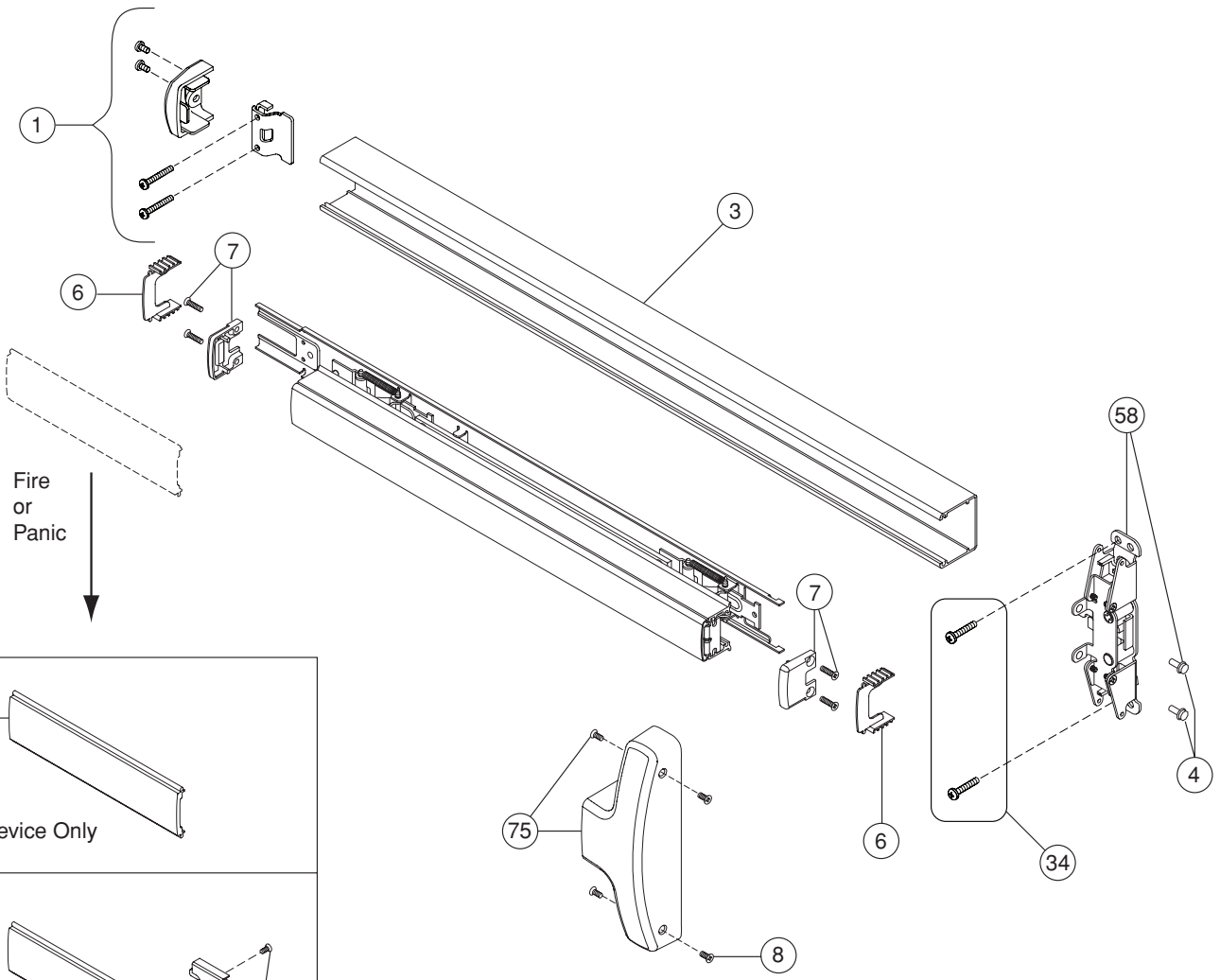
\* Item(s) not shown

A Specify by finish: US3, US4, US10, 313AN, US26, US32, US26D, US32D, US28

Prices subject to change without notice

**(F)24-C** Concealed vertical rod exit device

**Panic and fire**



Fire  
or  
Panic

<p>5</p> <p>Fire Device Only</p>
<p>17</p> <p>Panic Device Only</p>

EXITS

Pushpads

Architectural / Heavy Duty

24 Series

Prices subject to change without notice

No.	Qty.	Part no.	Description	Package contents	Notes
1	1	650294	24 Channel Endcap Kit 1¾" Door	1- Channel Endcap	A
				2- #10-24 x ⅜" PPHMS	
				1- Channel Endcap Bracket	
				2- #10-24 x 1" PPHMS	
				2- #10 x 1¼" PPHSMS	
1	1	650348	24 Channel Endcap Kit 2¼" Door	1- Channel Endcap	A
				2- #10-24 x ⅜" PPHMS	
				1- Channel Endcap Bracket	
				2- #10-24 x 1" PPHMS	
				2- #10 x 1¼" PPHSMS	
3	1	661408	24 Channel 3'		A
		661409	24 Channel 4'		
4	1	600305	24 Channel Screw Pkg	10- #10-16 x ½" Hex Washer Head Taptite	
5	1	650121	F-24 Channel Cover 3'		A, B
		650122	F-24 Channel Cover 4'		
6	1	600319	24 Pushbar Guide Pkg	2- Pushbar Guide	
7	1	600310	24 Pushbar Endcap Kit	2- Pushbar Endcap	A
				4- #8-18 x ¾" FPHSMS	
8	1	600307	24 Center Case Cover Screw Pkg	4- #8-18 x ⅜" UFPHMS	A
13	1	650187	24 Hex Dogging Kit 3'	1- Panic Channel Cover	A, B
		650188	24 Hex Dogging Kit 4'	1- Dogging Subassembly 1- #8-32 x ⅜" UFPHMS	
17	1	060109	24 Panic Hex Dogging Key 7/32" package of 10		
34		Included with C, F-24-C, F-24-CWDC Mounting Packages.			
35					
58	1	650238	(F)24-C Center Case Kit RHR	1- Center Case	
		090978	(F) 24-C Center Case Kit LHR	2- #10-16 x ½" Hex Washer Head Taptite	
75	1	650253	(F)24-C Center Case Cover Kit	1- Center Case	A
				4- #8-18 x ⅜" UFPHMS	

A Specify by finish: US3, US4, US10, 313AN, US26, US32, US26D, US32D, US28

**EXITS**  
  
 Pushpads  
  
 Architectural / Heavy Duty  
  
 24 Series

Prices subject to change without notice

# (F)24-V Surface vertical rods and latches

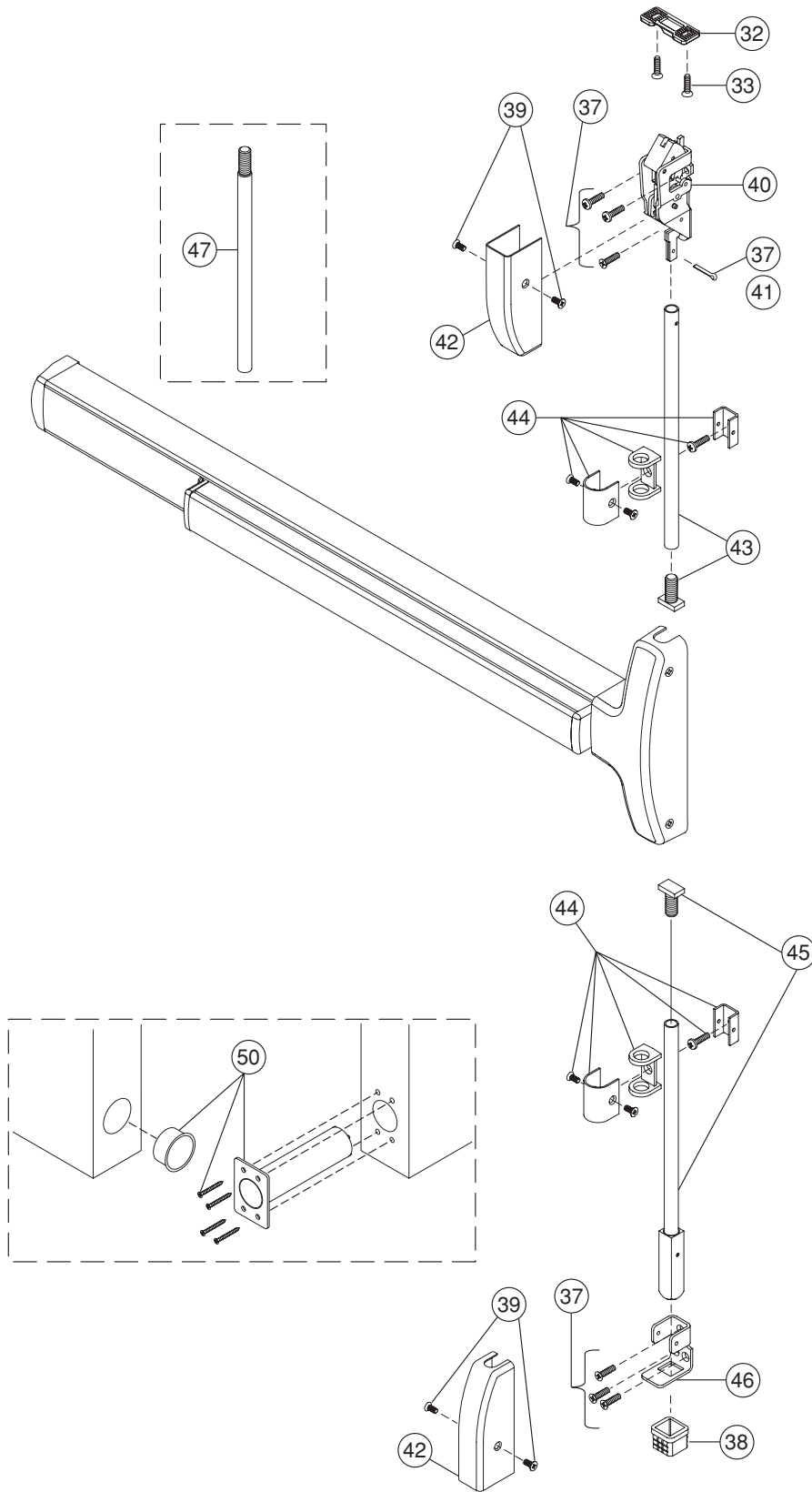
## Panic and fire

EXITS

Pushpads

Architectural /  
Heavy Duty

24 Series



Prices subject to change without notice

No.	Qty.	Part no.	Description	Package contents	Notes
32	1	3788	Vertical Rod Top Strike		**
33	2	660002	#10 x 1¼" FPHSMS		
37	1	650304	24-V Mounting Pkg 1¾" - 2¼" Door	2- #10 x 1¼" PPHSMS	*
				4- #10 x 1¼" FPHSMS	*
				2- #14 x 1" PPHSMS	*
				1- ⅛ x 1" Cotter Key	
				1- Dogging Key	*
		650325	F-24-V Mounting Pkg 1¾" Door	2- #10-24 x ¾" PPHMS	*
				4- #10-24 x ¾" FPHMS	
				2-1/4-20 x ¾" PPHMS	*
		650201	F-24-V Mounting Pkg 2¼" Door	2- #10-24 x 1¼" PPHMS	*
				4- #10-24 x 1¼" FPHMS	*
				2-1/4-20 x 1¾" PPHMS	*
				1- ⅛" x 1" Cotter Key	
39	1	650336	24-V Latch Case Cover Screw Pkg	4- #8-32 x ¼" UFPHMS	
40	1	650389	24-V Top Latch Case - Panic		
		650375	24-V Top Latch Case - Fire		
41	1	060111	⅛" x 1" Cotter Key package of 10		
42	2	650202	24-V Latch Case Cover		B
43	1	4450	24-V Top Rod Kit		B
44	2	650311	24-V Rod Guide Kit		C
45	1	610056	24-V Bottom Bolt Kit		B
46	1	650387	24-V Bottom Guide Assembly (screws not included)		
47	1	650006	Vertical Extension Rod 12"		A
		650007	Vertical Extension Rod 24"		
		650008	Vertical Extension Rod 36"		
50	1	5494	F-24-C Auxiliary Fire Pin Kit (Less Bottom Rod applications only)		

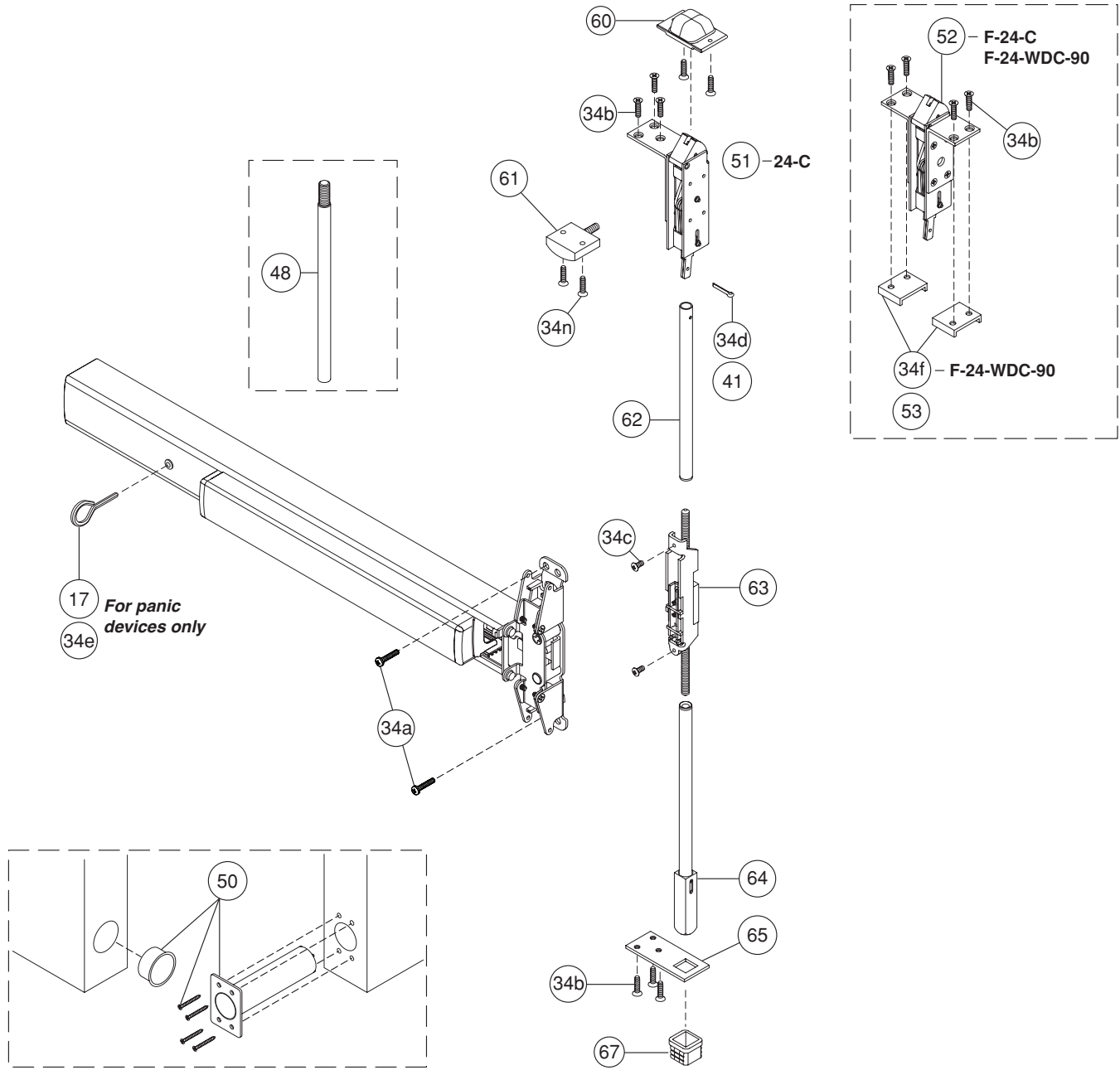
- \* Item(s) not shown
- \*\* For Flush Transom applications, specify part number 4215-019 angle bracket
- A Specify by finish: US3, US4, US10, US10B, US32, US32D, SP28, SP313
- B Specify by finish: US3, US4, US10, US26, US26D, US32, US32D, SP28, SP313
- C Specify by finish: US3, US4, US10, US26, US32, US32D, SP28, SP313

Prices subject to change without notice

# (F)24-C and F-24-C-WDC-90 Concealed vertical rods and latches

Metal door—panic and fire, wood door—90 minute fire device

EXITS  
Pushpads  
Architectural / Heavy Duty  
24 Series



No.	Qty.	Part no.	Description	Package contents	Notes
17	1	060109	24 Panic Hex Dogging Key 7/32" package of 10		
34	1	650317	F-24-C Mounting Pkg 1 3/4" Door	34a 8- #10-24 x 3/4" PPHMS 34b 7- #10-24 x 3/4" FPHMS 34c 2- #8-32 x 3/8" UFPHMS 34d 1- 1/8 x 1" Cotter Key — 2- 1/4-20 x 3/4" PPHMS	*

Prices subject to change without notice



# Concealed vertical rods and latches (F)24-C and F-24-C-WDC-90

No.	Qty.	Part no.	Description	Package contents		Notes		
34	1	650318	24-C Mounting Pkg 1¾" Door	34a	8- #10 x 1¼" PPHSMS			
				34b	6- #10-24 x ¾" FPHMS			
				34c	2- #8-32 x ¾" UFPHMS			
				34d	1- ½ x 1" Cotter Key			
				34e	1- Dogging Key			
						—	2- #14 x 1" PPHSMS	*
				650327	F-24-CWDC 90 Minute Mounting Pkg 1¾" Door	34a	4- #10 x 1¼" PPHSMS	
						34b	3- #10 x 1¼" FPHMS	
						34c	2- #8-32 x ¾" UFPHMS	
						34d	1- ½ x 1" Cotter Key	
						34f	2- Latch Bracket	
						—	2- 1/4-20 x ¾" PPHMS	*
						34n	6- #10-24 x ¾" FPHMS	
				650300	24-C Mounting Pkg 2¼" Door	34a	8- #10 x 1¼" PPHSMS	
						34b	6- #10-24 x 1¼" FPHMS	
						34c	2- #8-32 x ¾" UFPHMS	
						34d	1- ½ x 1" Cotter Key	
						34e	1- Dogging Key	
						—	2- #14 x 1" PPHSMS	*
				650346	F-24-C Mounting Pkg 2¼" Door	34a	8- #10-24 x 1¼" PPHMS	
		34b	7- #10-24 x 1¼" FPHMS					
		34c	2- #8-32 x ¾" UFPHMS					
		34d	1- ½ x 1" Cotter Key					
		—	2- 1/4-20 x 1¼" PPHMS			*		
41	1	060111	½ x 1" Cotter Key package of 10					
48	1	650017	Concealed Vertical Extension Rod 12"					
		650018	Concealed Vertical Extension Rod 24"					
		650019	Concealed Vertical Extension Rod 36"					
50	1	5494	F-24-C Auxiliary Fire Pin Kit (Less Bottom Rod application only)					
51	1	603L	24-C, C-WDC Top Latch Case - LHR					
	1	603R	24-C, C-WDC Top Latch Case - RHR					
52	1	F603	F-24-C, C-WDC Top Latch Case					
53	2	4694	F-24-CWDC Latch Bracket					
60	1	4188	Concealed Vertical Top Rod Strike					
61	1	650339	(F)24-C, CWDC Top Latch Release Kit			A		
62	1	610061	(F)24-C, CWDC Top Rod Kit					
63	1	650351	(F)24-C, CWDC Center Slide Assembly					
64	1	610057	(F)24-C, CWDC Bottom Rod Kit					
65	1	4567	24-C Bottom Bolt Guide					
67	1	2130	Vertical Rod Bottom Strike					

\* Item(s) not shown

A Specify by finish: US3, US4, US10, 313AN, US26, US32, US26D, US32D, SP28

Prices subject to change without notice

**EXITS**

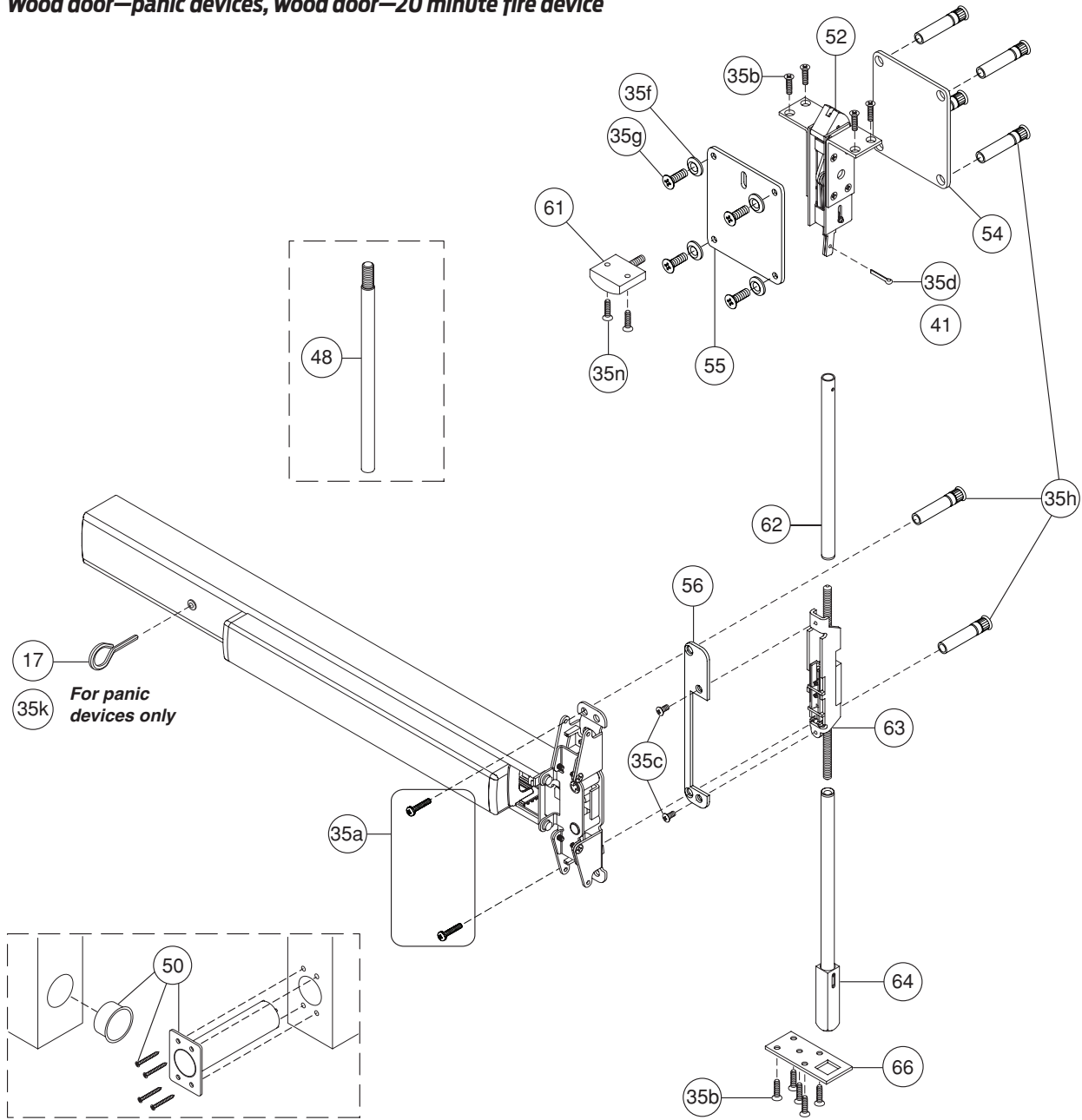
Pushpads

Architectural / Heavy Duty

24 Series

# 24-C-WDC and F-24-C-WDC-20 Concealed vertical rods latches

Wood door—panic devices, wood door—20 minute fire device



No.	Qty.	Part no.	Description	Package contents	Notes
17	1	060109	24 Panic Hex Dogging Key 7/32" package of 10		
35	1	650326	24-CWDC Mounting Pkg 1 3/4" Door	35a 2- 1/4-20 x 3/4" PPHMS — 4- #10-24 x 1" PPHMS * 35b 11- #10 x 1 1/4" FPHSMS 35c 2- #8-32 x 3/8" UFPHMS — 2- 3/4" CS Plate Mtg Screw * 35d 1- 1/8 x 1" Cotter Key 35f 4- 1/4" CS Flnish Washer	A

**REFERENCE NOTE:**  
F-24-C-WDC-20 is no longer available for purchase. Parts listed for installed SERVICE ONLY.

Prices subject to change without notice

EXITS

Pushpads

Architectural / Heavy Duty

24 Series

# Concealed vertical rods latches **24-C-WDC and F-24-C-WDC-20**

No.	Qty.	Part no.	Description	Package contents		Notes
35	1	650326	24-CWDC Mounting Pkg 1¾" Door	35g	4- ¼-20 x ¾" FPHMS	A
				35h	6- ¼-20 Sexbolt	
				35k	1- Dogging Key	
				35n	2- #10-24 x ¾" FPHMS	
				—	2- #10-24 x ¾" FPHMS *	
		650327	F-24-CWDC 20 Minute Mounting Pkg 1¾" Door	35a	2- ¼-20 x ¾" PPHMS	A
				35b	11- #10 x 1¼" FPHSMS	
				35c	2- #8-32 x ¾" UFPHMS	
				35d	1- ⅛ x 1" Cotter Key	
				—	2- ¾" CS Plate Mtg Screw *	
				35f	4- ¼" CS Finish Washer	
				35g	4- ¼-20 x ¾" FPHMS	
				35h	6- ¼-20 Sexbolt	
				—	4- #10-24 x 1" PPHMS *	
				35n	2- #10-24 x ¾" FPHMS	
		650298	24-CWDC Mounting Pkg 2¼" Door	35a	2- ¼-20 x 1¼" PPHMS	A
				—	4- #10-24 x 1" PPHMS *	
				35b	11- #10 x 1¼" FPHSMS	
35c	2- #8-32 x ¾" UFPHMS					
—	2- #8-32 x ¾" UFPHMS *					
35d	1- ⅛ x 1" Cotter Key					
—	2- ¾" CS Plate Mtg Screw *					
35f	4- ¼-20 x 1¼" FPHMS					
35n	2- #10-24 x ¾" FPHMS					
41	1	060111	⅛ x 1" Cotter Key package of 10			
48	1	650017	Concealed Vertical Extension Rod 12"			
		650018	Concealed Vertical Extension Rod 24"			
		650019	Concealed Vertical Extension Rod 36"			
49	1	WF603	F-24-C-WDC Top Latch Case		*	
50	1	5494	F-24-C Auxiliary Fire Pin Kit (Less Bottom Rod application only)			
54	1	4833	Top Reinforcement Plate		A	
55	1	4834	Top Reinforcement Plate with Access Hole		A	
56	1	4832	(F)24-CWDC Center Slide Reinforcement Plate			
61	1	650339	(F)24-C, CWDC Top Latch Release Kit		A	
62	1	610061	(F)24-C, CWDC Top Rod Subassembly			
63	1	650351	(F)24-C, CWDC Center Slide Assembly			
64	1	610057	(F)24-C, CWDC Bottom Rod Kit			
66	1	4835	24-CWDC Bottom Bolt Guide			

\* Item(s) not shown

A Specify by finish: US3, US4, US10, 313AN, US26, US32, US26D, US32D, SP28

**Prices subject to change without notice**

3' Devices are priced with standard trim and strikes, 4' add \$21 list.  
Cylinders are not included in price unless noted.



**EXIT HARDWARE**

Rim Devices (Includes F570 Strike)	Trim/Control	SP28 SP313	US32D
19-R-EO		325	572
<b>Trident Trim (must specify handing)</b>			
19-R-DT	920DT	368	615
19-R-NL	920NL	401	648
<b>Centron Trim (non-handed)</b>			
19-R-EO	930EO	363	610
19-R-DT	930DT	368	615
19-R-NL	930NL	385	632
19-R-C	930C	378	625
19-R-DT	917DT	359	606
<b>Control Trim (non-handed)</b>			
19-R-DT	918DT	450	802
19-R-NL	918NL	450	802
<b>Knob Control (handed and field reversible)</b>			
19-R-K	911K	450	802
19-R-K-BE	911K-BE	450	802
19-R-K-NL	911K-NL	450	802
<b>Dane Lever Control (handed and field reversible)</b>			
19-R-L	912L	500	840
19-R-L-BE	912L-BE	500	840
19-R-L-NL	912L-NL	500	840
19-R-L-DT	912L-DT	500	840
<b>Key in Lever (handed and field reversible)</b>			
19-R-KIL	914-KIL-KD W/CYL	535	782
19-R-KIL-NL	914-KIL-NL-KD W/CYL	535	782
19-R-KIL-BE	914-KIL-BE	535	782
19-R-KIL-IC	914-KIL-IC W/CYL	584	831

**REFERENCE NOTE:**

930 series trim is available in SP313 and US32D finish only. 19 series devices order in SP28 paired with 930 trim are supplied with US32D finish trim.

**Sex Bolts:**

Three 4122 Sex Bolts are supplied standard no charge, one for hinge side mounting and two for center case mounting.

Prices subject to change without notice

EXITS

Pushpads

Commercial /  
Medium Duty

19 Series

**3' Devices are priced with standard trim and strike, 4' add \$21 list.  
Cylinders are not included in the price unless noted.**

<b>FIRE EXIT HARDWARE</b>		<b>SP28</b>	<b>US32D</b>
<b>Rim Devices</b> (Includes F570 Strike)	<b>Trim/Control</b>	<b>SP313</b>	<b>US32D</b>
<b>F-19-R-EO</b>		407	667
<b>Trident Trim (must specify handing)</b>			
<b>F-19-R-DT</b>	920DT	450	710
<b>F-19-R-NL</b>	920NL	483	743
<b>Centron Trim (non-handed)</b>			
<b>F-19-R-EO</b>	930EO	445	705
<b>F-19-R-DT</b>	930DT	450	710
<b>F-19-R-NL</b>	930NL	467	727
<b>F-19-R-C</b>	930C	460	720
<b>F-19-R-DT</b>	917DT	441	701
<b>Control Trim (non-handed)</b>			
<b>F-19-R-DT</b>	918DT	532	897
<b>F-19-R-NL</b>	918NL	532	897
<b>Knob Control (handed and field reversible)</b>			
<b>F-19-R-K</b>	911K	532	897
<b>F-19-R-K-BE</b>	911K-BE	532	897
<b>F-19-R-K-NL</b>	911K-NL	532	897
<b>Dane Lever Control (handed and field reversible)</b>			
<b>F-19-R-L</b>	912L	582	935
<b>F-19-R-L-BE</b>	912L-BE	582	935
<b>F-19-R-L-NL</b>	912L-NL	582	935
<b>F-19-R-L-DT</b>	912L-DT	582	935
<b>Key in Lever (handed and field reversible)</b>			
<b>F-19-R-KIL</b>	914-KIL-KD W/CYL	617	877
<b>F-19-R-KIL-NL</b>	914-KIL-NL-KD W/CYL	617	877
<b>F-19-R-KIL-BE</b>	914-KIL-BE	617	877
<b>F-19-R-KIL-IC</b>	914-KIL-IC W/CYL	666	926

**REFERENCE NOTE:**

**930 series trim** is available in SP313 and US32D finish only. 19 series devices order in SP28 paired with 930 trim are supplied with US32D finish trim.

**Sex Bolts:**

Three 4122 Sex Bolts are supplied standard, one for hinge side mounting and two for center case mounting.

Two 2729 Sex bolts are supplied for additional center case mounting when device is used with wood, composite or non-reinforced hollow metal doors.

**Sex Bolt 2729**

(Supplied)

**Application**

Wood, composite or non-reinforced hollow metal doors

2

**EXITS**

Pushpads

Commercial /  
Medium Duty

19 Series

Prices subject to change without notice

3' Devices are priced with standard trim and strikes, 4' add \$21 list.  
Cylinders are not included in the price unless noted.

**EXIT HARDWARE**

**Surface Vertical Rod Devices**  
(Includes 3788 and 2130 Strikes)

	Trim/Control	SP28 SP313	US32D
<b>19-V-EO</b>		509	958
<b>Trident Trim (must specify handing)</b>			
<b>19-V-DT</b>	920DT	552	1001
<b>19-V-NL</b>	920NL	585	1034
<b>Centron Trim (non-handed)</b>			
<b>19-V-EO</b>	930EO	547	996
<b>19-V-DT</b>	930DT	552	1001
<b>19-V-NL</b>	930NL	569	1018
<b>19-V-C</b>	930C	562	1011
<b>19-V-DT</b>	917DT	543	992
<b>Control Trim (non-handed)</b>			
<b>19-V-DT</b>	918DT	634	1188
<b>19-V-NL</b>	918NL	634	1188
<b>Knob Control (handed and field reversible)</b>			
<b>19-V-K</b>	911K	634	1188
<b>19-V-K-BE</b>	911K-BE	634	1188
<b>19-V-K-NL</b>	911K-NL	634	1188
<b>Dane Lever Control (handed and field reversible)</b>			
<b>19-V-L</b>	912L	684	1226
<b>19-V-L-BE</b>	912L-BE	684	1226
<b>19-V-L-NL</b>	912L-NL	684	1226
<b>19-V-L-DT</b>	912L-DT	684	1226
<b>Key in Lever (handed and field reversible)</b>			
<b>19-V-KIL</b>	914-KIL-KD W/CYL	719	1168
<b>19-V-KIL-NL</b>	914-KIL-NL-KD W/CYL	719	1168
<b>19-V-KIL-BE</b>	914-KIL-BE	719	1168
<b>19-V-KIL-IC</b>	914-KIL-IC W/CYL	768	1217

**REFERENCE NOTES:**

**Handing:** 19-V devices are handed and field reversible. Devices and Trims are furnished RHR when handing is not specified.

**Extension Rods:** For door heights over 7'0" up to 8'0", 12" extension rods are furnished at no additional charge at the time of device order. For door heights over 8'0" up to 10'0" extension rods are furnished at prices shown in parts section with the device at the time of order. MUST specify door height on order line.

**930 series trim** is available in SP313 and US32D finish only. 19 series devices order in SP28 paired with 930 trim are supplied with US32D finish trim.

**Sex Bolts:**

Three 4122 Sex Bolts are supplied standard no charge, one for hinge side mounting and two for center case mounting.

Six 2729 Sex Bolts are recommended for latch mounting when device is used with hollow core, composite or light gauge hollow metal doors. See chart below for quantities and list prices.

Application	Sex Bolt 2729 (Optional)	List Add
Hollow core, composite or light gauge hollow metal doors	6	78

Prices subject to change without notice

EXITS

Pushpads

Commercial /  
Medium Duty

19 Series

**3' Devices are priced with standard trim and strikes, 4' add \$21 list.  
Cylinders are not included in the price unless noted.**

<b>FIRE EXIT HARDWARE</b>			
<b>Surface Vertical Rod Devices</b>			
<i>(Includes 3788 and 2130 Strikes )</i>			
	<b>Trim/Control</b>	<b>SP28 SP313</b>	<b>US32D</b>
<b>F-19-V-EO</b>		637	1078
<b>Trident Trim (must specify handing)</b>			
<b>F-19-V-DT</b>	920DT	680	1121
<b>F-19-V-NL</b>	920NL	713	1154
<b>Centron Trim (non-handed)</b>			
<b>F-19-V-EO</b>	930EO	675	1116
<b>F-19-V-DT</b>	930DT	680	1121
<b>F-19-V-NL</b>	930NL	697	1138
<b>F-19-V-C</b>	930C	690	1131
<b>F-19-V-DT</b>	917DT	671	1112
<b>Control Trim (non-handed)</b>			
<b>F-19-V-DT</b>	918DT	762	1308
<b>F-19-V-NL</b>	918NL	762	1308
<b>Knob Control (handed and field reversible)</b>			
<b>F-19-V-K</b>	911K	762	1308
<b>F-19-V-K-BE</b>	911K-BE	762	1308
<b>F-19-V-K-NL</b>	911K-NL	762	1308
<b>Dane Lever Control (handed and field reversible)</b>			
<b>F-19-V-L</b>	912L	812	1346
<b>F-19-V-L-BE</b>	912L-BE	812	1346
<b>F-19-V-L-NL</b>	912L-NL	812	1346
<b>F-19-V-L-DT</b>	912L-DT	812	1346
<b>Key in Lever (handed and field reversible)</b>			
<b>F-19-V-KIL</b>	914-KIL-KD W/CYL	847	1288
<b>F-19-V-KIL-NL</b>	914-KIL-NL-KD W/CYL	847	1288
<b>F-19-V-KIL-BE</b>	914-KIL-BE	847	1288
<b>F-19-V-KIL-IC</b>	914-KIL-IC W/CYL	896	1337

**REFERENCE NOTES:**

**Handing:** F-19-V devices are handed and field reversible. Devices and Trims are furnished RHR when handing is not specified.

**Extension Rods:** For door heights over 7'0" up to 8'0", 12" extension rods are furnished at no additional charge at the time of device order. For door heights over 8'0" up to 10'0" extension rods are furnished at prices shown in parts section with the device at the time of order. MUST specify door height on order line.

**930 series trim** is available in SP313 and US32D finish only. 19 series devices order in SP28 paired with 930 trim are supplied with US32D finish trim.

**Sex Bolts:**

Three 4122 Sex Bolts are supplied standard no charge, one for hinge side mounting and two for center case mounting.

Six 2729 are supplied for additional latch case mounting when device is used with wood, composite or non-reinforced hollow metal doors.

**Sex Bolt 2729**

(Supplied)

**Application**

Wood, composite or non-reinforced hollow metal doors

6

EXITS

Pushpads

Commercial /  
Medium Duty

19 Series

Prices subject to change without notice

## Cylinder Dogging

Not for use with Fire Exit Hardware

Prefix		List Add
<b>CD</b>	Cylinder Dogging available on all 19 series Panic Devices.	73
<b>LD</b>	Less Dogging available on all 19 series Panic Devices	N/C

## Less Bottom Rod

Suffix		List Add
<b>LBR</b>	Less Bottom Rod available with UL Fire Label at no additional charge on F-19-V devices. <b>Fire rated LBR devices must be ordered in pairs of Vertical Rod Devices.</b> For Fire Rated Devices specify one device LBR and second device LBR-AFL. Second device provided with a Fire Pin.	N/C

\* The 19-Series Exit Alarm option has been eliminated. Consult Customer Care for availability and warranty claims.

\*\* (F) 19-V-LBR requires handing

## Accessible Device

Suffix		List Add
<b>AX</b>	Accessible device compliant with the California Building Code (Section 11B-309.4) requirement for 5 lb. maximum operational force. Available on 3' and 4' AX-19-R, AX-F-19-R, AX-19-V, AX-F-19-V, AX-19-V-LBR, AX-F-19-V-LBR/LBR-AFL. Trim functions available EO, DT, NL, L, L-BE, L-NL, L-DT, C, KIL, KIL-BE, KIL-NL, and KIL-IC.	29

EXITS

Pushpads

Commercial /  
Medium Duty

19 Series

Prices subject to change without notice



**Cylinders are not included in price unless noted.**

### Trident Trim

Model No.	Lever Style	Description	SP28, SP313	US32D
920DT	-	Dummy Trim	43	-
920NL	-	Night Latch	76	-

920 series trim are handed and not field reversible, specify RHR or LHR.

### Centron Trim

Model No.	Lever Style	Description	SP28	US32D, SP313
917DT	-	Dummy Trim	34	34
930EO	-	Exit Only	-	38
930DT	-	Dummy Trim	-	43
930NL	-	Night Latch	-	60
930C	-	Night Latch Less Pull	-	53

930 series trim are available in SP313 and US32D finish only.

### Control Trim

Model No.	Lever Style	Description	SP28, SP313	US15
918DT	-	Dummy Trim	125	230
918NL	-	Night Latch	125	230
911K	-	Knob, Key Locks or Unlocks	125	230
911K-BE	-	Knob, Blank Escutcheon	125	230
911K-NL	-	Knob, Night Latch	125	230

911 series trim are handed and field reversible. Trims are furnished RHR when handing is not specified.

### Lever Trim

Model No.	Lever Style	Description	SP28, SP313	US15
912L	Dane	Lever, Key Locks or Unlocks	175	268
912L-BE	Dane	Lever, Blank Escutcheon	175	268
912L-NL	Dane	Lever, Night Latch	175	268
912L-DT	Dane	Lever, Dummy Trim	175	268

Optional lever designs Quantum and Sutro are available at no additional charge.

912 series trim are handed and field reversible. Trims are furnished RHR when handing is not specified.

### Key In Lever Trims

Model No.	Lever Style	Description	US32D, SP313
914KIL-KD	Dane	Key in Lever, with Keyed Different Cylinder	210
914KIL-BE	Dane	Key in Lever, Blank Escutcheon	210
914KIL-NL-KD	Dane	Key in Lever, Night Latch with Cylinder	210
914KIL-IC	Dane	Key in Lever with IC Core Cylinder	259

914 series trim are handed and field reversible. Trims are furnished RHR when handing is not specified.

914 KIL-KD, KIL-NL-KD come standard with a C keyway and 914 KIL-IC come standard with a A keyway.

Consult factory if other keyways are desired to order separately.

Prices subject to change without notice

## Rim Strikes

Model	Description	Unfinished	US19	US26D	US32D	SP313
<b>F490</b>	19-R Panic and Fire Devices - Opt.	59	-	-	-	-
<b>565</b>	19-R Panic Devices - Opt.	-	-	59	-	59
<b>F570</b>	19-R Panic and Fire Devices - Std.	-	59	-	-	-
<b>571</b>	19-R Inactive Leaf 2 7/8" backset - Opt.	59	-	-	59	-
<b>571A</b>	19-R Inactive Leaf 2 3/8" backset - Opt.	59	-	-	59	-

## Vertical Rod Top Strikes

Model	Description	Unfinished
* <b>3788</b>	19/24/25/XX-V Panic and Fire Devices	61

\* For Flush Transom applications, Specify part number 4215-019 Angle Bracket, **add \$63 List.**

## Vertical Rod Bottom Strikes

Model	Description	Unfinished
<b>2130</b>	19-V/24/25/XX-V,C Panic or Fire - Std.	61
<b>4155</b>	19-V/24/25/XX-V,C Panic	61

### REFERENCE NOTES:

Refer to device catalogs for specific door application strike requirements.

Prices subject to change without notice

## Cover Plates & Filler Plates

Model No.	Description	Unfinished	SP313	US32D
4167	19 TP or DT Controls used on 86 or 161 door preps	–	38	59
4168	19 EO used on 86 door preps	–	38	59
4170	19 K or L Controls used on 86 or 161 door preps	–	38	59
4174	19 Device (push side) used on 86 door preps	–	38	59
3722	Strike cover - ASA 4-7/8"	15	–	–
3723	Mortise front - 8" x 1-1/4"	15	–	–
3721	Lock front - 2-1/4" x 1-1/8"	15	–	–

## Cylinders

Model No.	Description	US26D	US4 US10B	US3 US10	US32 US32D
951	Rim Cylinder, Keyed Different	72	74	74	74
986	Threaded 1-1/4" Mortise Cylinder, with Straight Cam Keyed Different	72	74	74	74
985	1-1/8" Mortise Cylinder with Straight Cam	72	74	74	74

### REFERENCE NOTES:

Custom keying not available. Falcon G keyway supplied.  
Cylinder type determined by trim function.

## Cylinder Dogging Kits

Model No.	Description	Part No.	SP28, SP313
19CDK-3	19 Series - 3' device	650060	73
19CDK-4	19 Series - 4' device	650063	73

### REFERENCE NOTES:

Cylinder Sold Separately.

When a device is ordered "with CD with Cylinder" a 1-1/4" mortise cylinder (986 Falcon G x straight cam KD) is supplied for CD.  
CD Kits can also pair with a 1-1/8" mortise cylinder (985 Falcon G x straight cam KD). Must be ordered separately.

Prices subject to change without notice

## Dummy Touch Bars

3' Device pricing below, 4' add \$21 list.

SP28  
SP313

Model No.	Description	
190DT	19 Series Dummy Touch Bar	193

## Extension Rods

Part No.	Description	All Finishes
650006	24/25/19/XX-V Extension Rod 12" (ER12-V)	25
650007	24/25/19/XX-V Extension Rod 24" (ER24-V)	43
650008	24/25/19/XX-V Extension Rod 36" (ER36-V)	70

### REFERENCE NOTES:

- 1) Surface Vertical and Concealed Vertical Rod Devices for door heights over 7'0" up to 8'0", 12" extension rods are furnished at no additional charge at the time of device order. Must specify door height on order line.
- 2) For door heights over 8'0" up to 10'0" extension rods are furnished at prices shown above with the device at the time of order. MUST specify door height on order line.
- 3) Replacement extension rods can be ordered individually by the part numbers listed above.

## Shim Kits

Model No.	Description	Part #	US19
SK19-R	19 Rim Shim Kit - 1/4"	650022	77
SK19-V	19 Surface Vertical Shim Kit - 1/4"	650023	77

### REFERENCE NOTES:

19 series shim kits for use on door thickness devices less trim. For devices with trim, consult factory. All shim kits for use on door thicknesses up to 2". Consult factory for door thickness over 2"

EXITS

Pushpads

Commercial /  
Medium Duty

19 Series

Prices subject to change without notice

**(F) 19 Exit Devices**

Part No.	Description	Unfinished	SP28		
			SP313	US32D	Black
650307	19-R Center Case	95	-	-	-
650374	F-19-R Center Case	118	-	-	-
650308	19-V Center Case LHR	83	-	-	-
650309	19-V Center Case RHR	83	-	-	-
650384	19-R Center Case Cover Kit (w/Screws)	-	-	-	41
650385	19-V Center Case Cover Kit (w/Screws)	-	-	-	41
650338	19-R Center Case Cover Mounting Pkg	12	-	-	-
650334	19-V Center Case Cover Mounting Pkg	12	-	-	-
650393	19-V Center Case Retractor Cam	40	-	-	-
650390	19-V Drawbar	13	-	-	-
650391	19-V Center Case Drawbar Lever	27	-	-	-
650392	19-V Center Case Slidebar Lever	17	-	-	-
4107	19 Channel 3' Door	-	143	372	-
4108	19 Channel 4' Door	-	165	410	-
650297	19 Panic Hex Dogging Kit 4' Door	-	94	138	-
650303	19 Panic Hex Dogging Kit 3' Door	-	68	111	-
610480	19 Panic Dogging Housing	22	-	-	-
060109	19 Panic Hex Dogging Key 7/32" (Pkg of 10)	17	-	-	-
060110	19 Panic Dogging Pin (Pkg of 10)	12	-	-	-
650343	19 Channel End Cap Kit (w/Screws)	29	-	-	-
650320	19 End Cap Mounting Bracket with SNB	-	13	-	-
650328	19-R Mounting Pkg	-	33	-	-
650329	F-19-R Mounting Pkg	-	33	-	-
650330	19-V Mounting Pkg	-	46	-	-
650331	F-19-V Mounting Pkg	-	46	-	-
3722	Strike ASA Filler Plate	15	-	-	-
660136	8-32 5/16" UFPHMS STL BO NYL	12	-	-	-

**(F) 19 Exit Devices**

Part No.	Description	US32D,	
		SP313	SP28
650360	F-19 Channel Cover Plate 3' Door	47	43
650361	F-19 Channel Cover Plate 4' Door	52	47

**(F) 19-V Surface Vertical Rod and Latches**

Part No.	Description	Unfinished	SP28		
			SP313	US32D	Black
650389	19-V Top Latch Case (Latch cover sold separately)	138	-	-	-
650388	19-V Latch Case Cover Kit (w/Screws)	-	-	-	41
650337	19-V Latch Cover Mounting Pkg	12	-	-	-
650386	Rod Guide Kit (w/Screws)	-	-	-	14
610045	Bottom Bolt Assembly	46	-	-	-
650387	Bottom Bolt Guide (Latch cover sold separately)	13	-	-	-
4286	19 Top Rod	-	81	94	-
4288	19 Bottom Rod	-	81	94	-
5494	F-19-V Auxiliary Fire Pin Kit (LBR application only)	177	-	-	-
650375	V-F Top Latch Asy Serv PKG	142	-	-	-
660002	#10 x 1 1/4" FPHSMS Clear Zinc	12	-	-	-

Prices subject to change without notice

# 19 Trim Series - Parts

Part No.	Description	Unfinished	SP28, SP313 US32D
050526	Cylinder Locknut Package	17	-
650314	700/900 Locking Plate	22	-
661567	700/900 Locking Spring	12	-
4270	900 Series Hex Stud	22	-
600315	920/930 Cylinder Anchor	12	-
600161	914 Tailpiece Guide Pkg	12	-
600346	911/912 Tailpiece Guide Package	12	-
661565	700/900 Lever Actuator Spring	12	-
4349	Control Hex Stud	12	-
650371	Tailpiece Pkg 1 3/4" - Service	12	-
600339	700/900 NL Spring Pkg	13	-
060138	700/900 OUTPUT CAM PKG - R/V	14	-
600283	Shear Pin, package of 5	-	105
600166	918NL Cylinder Mounting package	-	133
650355	912 Dane Lever	-	105
650356	912 Sutro Lever	-	102
650358	912 Quantum Lever	-	98

EXITS

Pushpads

Commercial /  
Medium Duty

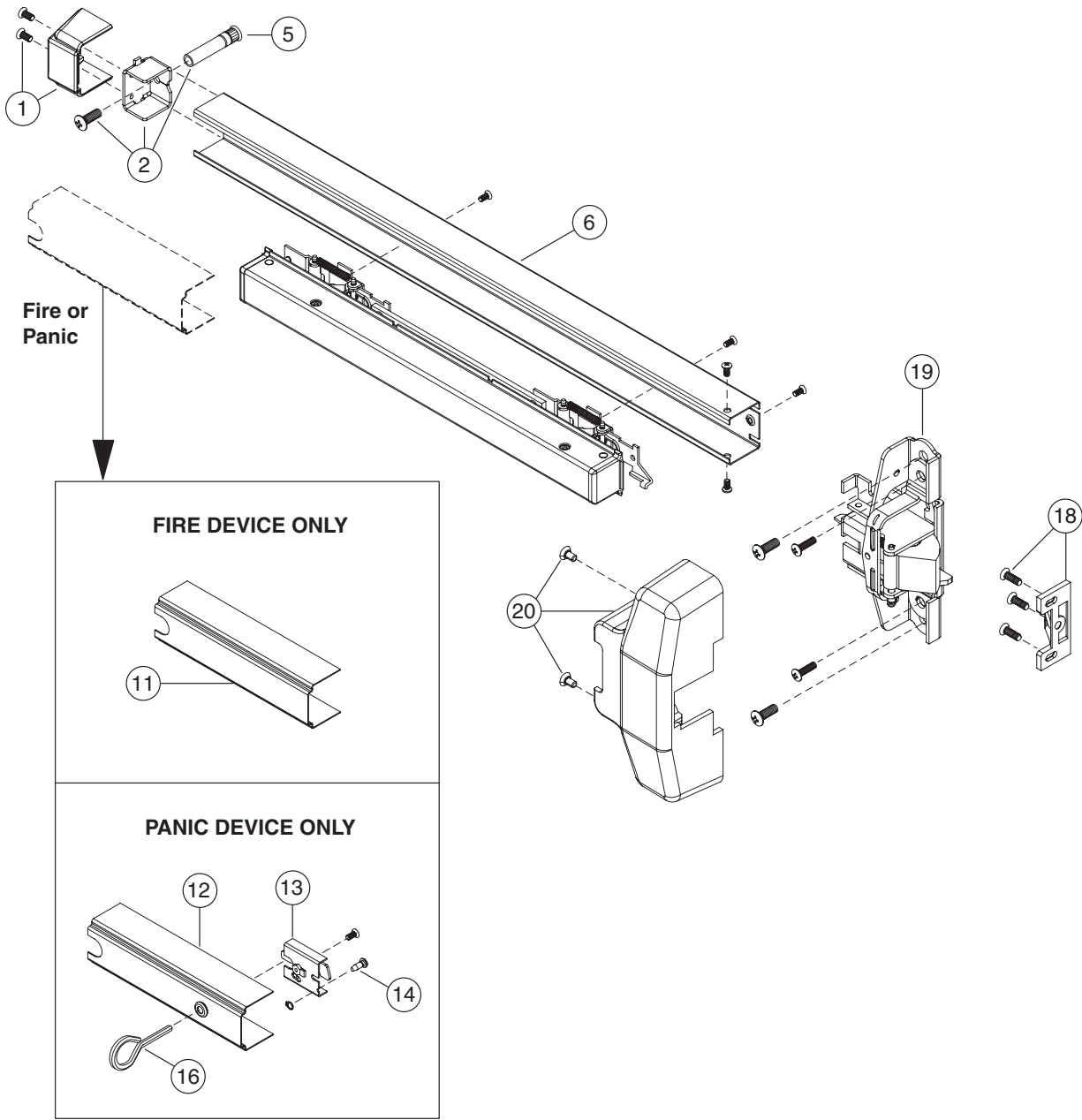
19 Series

Prices subject to change without notice

Prices subject to change without notice

# 19 and F-19 Rim exit device

## Fire and panic



EXITS

Pushpads

Commercial / Medium Duty

19 Series

Prices subject to change without notice



No.	Qty.	Part no.	Description	Notes
1	1	650343	19 Channel End Cap Kit (with screws)	
2	1	650320	19 End Cap Mounting Bracket with SNB	
5	1	4122	Sex Bolt, package of 1, includes machine screw, 1/2 - 20 x 3/4" PPHMS	A
6	1	4107	19 Channel 3' Door	A
	1	4108	19 Channel 4' Door	A
11	1	650360	F-19 Channel Cover Plate 3'	A
	1	650361	F-19 Channel Cover Plate 4'	
12	1	650297	19 Panic Hex Dogging Channel Cover, 4'	A
	1	650303	19 Panic Hex Dogging Channel Cover 3'	A
13	1	610480	19 Panic Dogging Housing	
14	1	060110	19 Panic Dogging Pin (package of 10)	
16	1	060109	19 Panic Hex Dogging Key 7/32" (package of 10)	
18	1	F570	F570 Strike (US19)	
19	1	650307	19-R Center Case Assembly	
		650374	F-19-R Center Case Assembly	
20	1	650384	19-R Center Case Cover Kit (with screws)	
*	1	650328	19-R Mounting Package	
*	1	650329	F-19-R Mounting Package	

\* Item(s) not shown

A Specify by finish: US32D or SP28/SP313

Prices subject to change without notice

# 19-V and F-19-V Surface vertical rod exit device

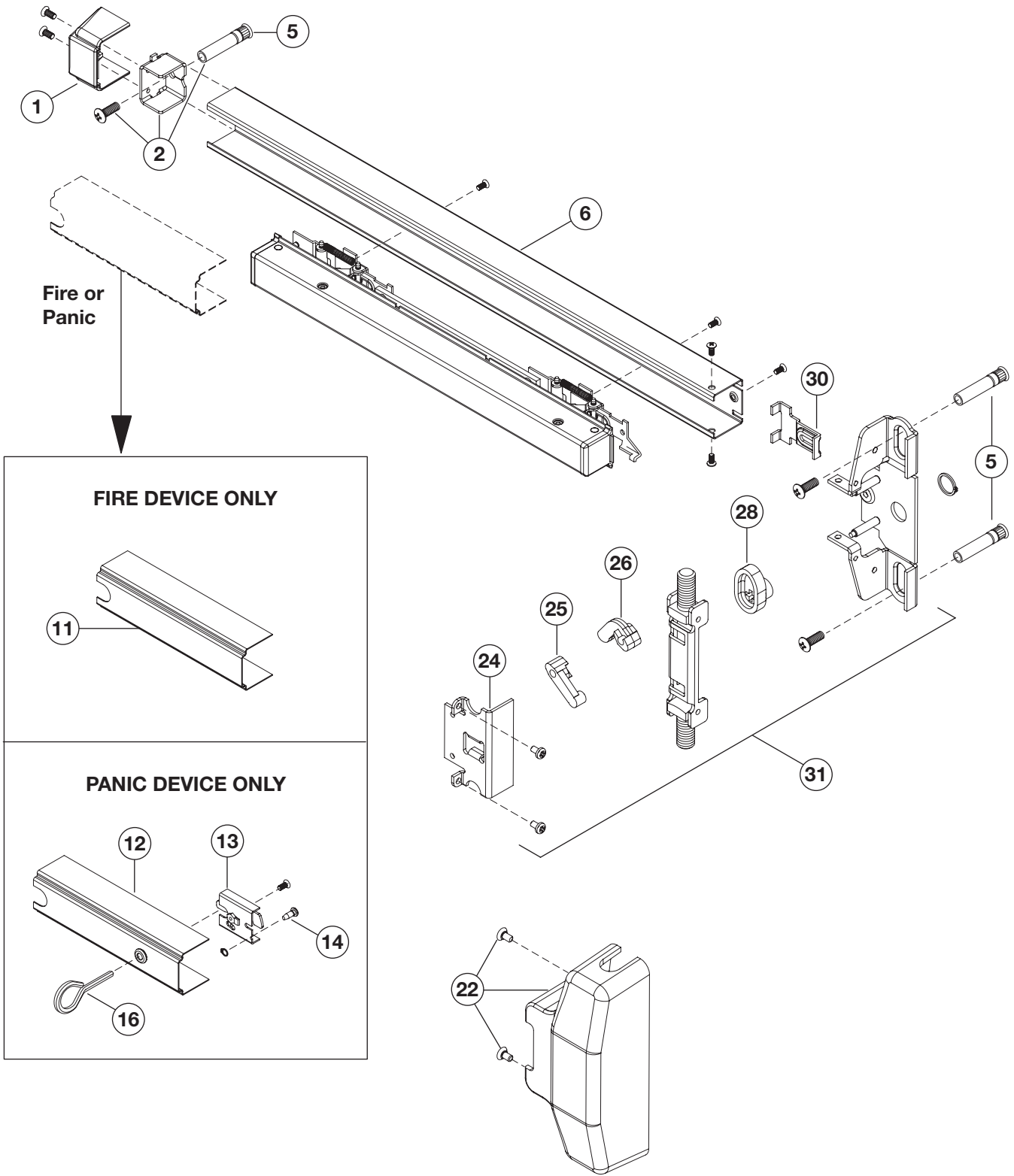
Panic and fire

EXITS

Pushpads

Commercial / Medium Duty

19 Series



Prices subject to change without notice

No.	Qty.	Part no.	Description	Notes
1	1	650343	19 Channel End Cap Kit (with screws)	
2	1	650320	19 End Cap Mounting Bracket with SNB	
5	1	4122	Sex Bolt, package of 1, includes machine screw (1/2 - 20 x 3/4" PPHMS)	A
6	1	4107	19 Channel 3' Door	A
	1	4108	19 Channel 4' Door	A
11	1	650360	F-19 Channel Cover Plate 3'	A
	1	650361	F-19 Channel Cover Plate 4'	A
12	1	650297	19 Panic Hex Dogging Channel Cover 4'	A
	1	650303	19 Panic Hex Dogging Channel Cover 3'	A
13	1	610480	19 Panic Dogging Housing	
14	1	060110	19 Panic Dogging Pin (package of 10)	
16	1	060109	19 Panic Hex Dogging Key 7/32" (package of 10)	
22	1	650385	19-V Center Case Cover Kit (with screws)	
25	1	650392	19-V Center Case Slidebar Lever	
26	1	650391	19-V Center Case Drawbar Lever	
28	1	650393	19-V Center Case Retractor Cam	
30	1	650390	19-V Drawbar	
31	1	650308	19-V Center Case LHR	
	1	650309	19-V Center Case RHR	
*	1	650330	19-V Mounting package	
*	1	650331	F-19-V Mounting package	

\* Item(s) not shown

A Specify by finish: US32D or SP28/SP313

EXITS

Pushpads

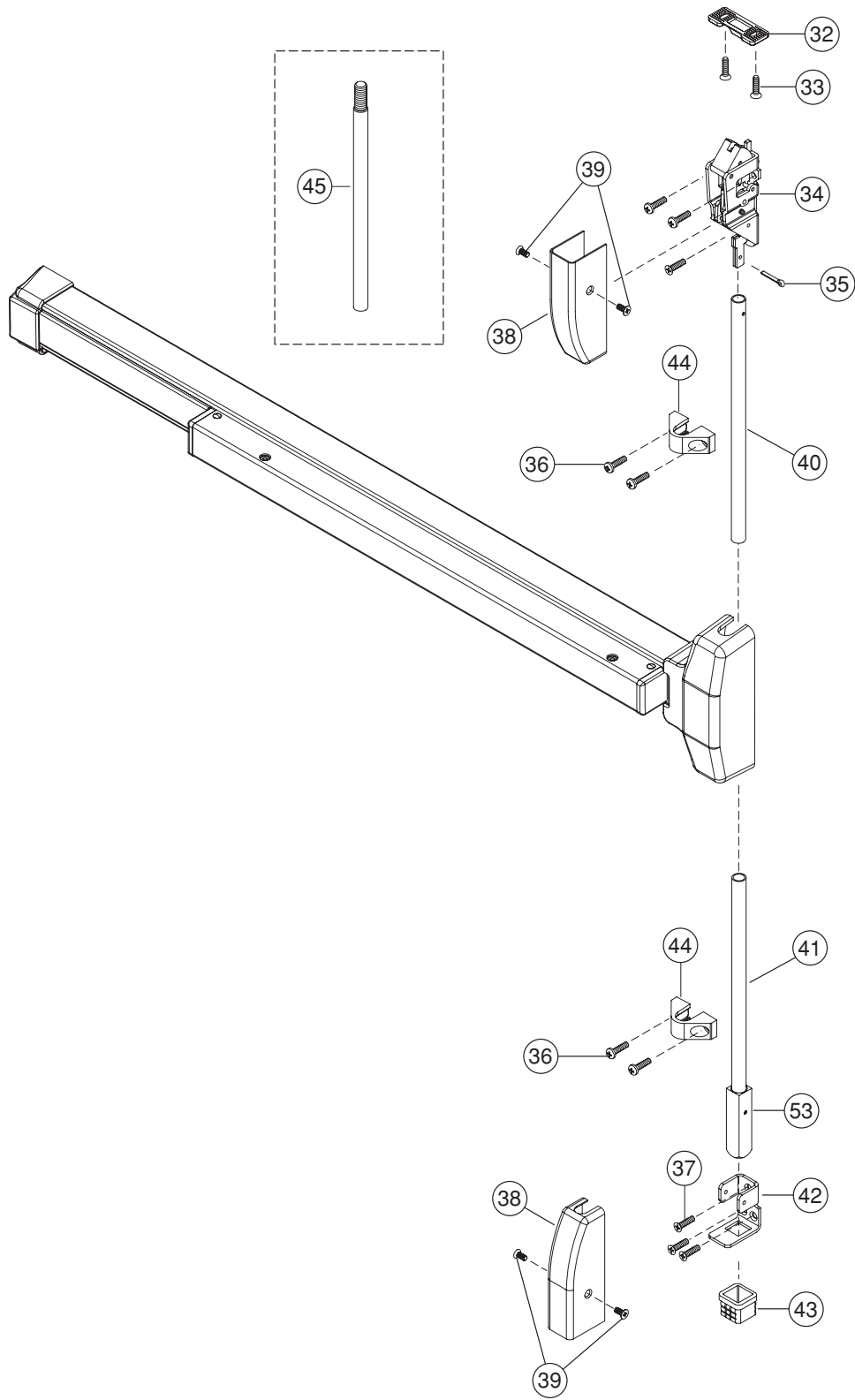
Commercial /  
Medium Duty

19 Series

Prices subject to change without notice

# 19-V and F-19-V Surface vertical rods and latch cases

*Panic and fire*



EXITS

Pushpads

Commercial /  
Medium Duty

19 Series

Prices subject to change without notice

No.	Qty.	Part no.	Description	Notes
32	1	3788	Vertical Rod Top Strike	*
33	2	660002	#10 x 1¼" FPHSMS	
34	1	650389	19-V Top Latch Case	
35	1	060111	½" x 1" Cotter Key package of 10	
36	1	060114	Rod Guide Screws package of 10	
37	1	060113	Latch Screw package of 10	
38	2	650388	19-V Latch Case Cover Kit (with screws)	
39	1	650337	19-V Latch Case Cover Mounting package of 4	
40	1	4286	19 Top Rod	
41	1	4288	19 Bottom Rod	
42	1	650387	Bottom Bolt Guide (screws not included)	
43	1	2130	Vertical Rod Bottom Strike	
44	2	650386	Rod Guide Kit (with screws)	
45	1	650006	19/24/25/XX-V Extension Rod 12"	A
45	1	650007	19/24/25/XX-V Extension Rod 24"	A
45	1	650008	19/24/25/XX-V Extension Rod 36"	A
53	1	610045	(F)19-V Bottom Bolt Assembly	

\* For Flush Transom applications, specify part number 4215-019 angle bracket

A Specify by finish: US32D or SP28/SP313

Prices subject to change without notice

# Falcon 20 Series

## Devices

		SP28	US32D
<b>EXIT HARDWARE</b>			
<b>20-R-EO</b>	Rim Device Exit Only 3'	283	500
<b>20-V-EO</b>	Surface Vertical Rod Device Exit Only 3'	434	689
<b>20-R-EO</b>	Rim Device - Exit Only 4'	303	520
<b>20-V-EO</b>	Surface Vertical Rod Device Exit Only 4'	454	709
<b>FIRE EXIT HARDWARE</b>			
<b>F-20-R-EO</b>	Fire Rim Device - Exit Only 3'	353	584
<b>F-20-V-EO</b>	Fire Surface Vertical Rod Device - Exit Only 3'	622	776

## Trims

		SP28	US32D
<b>Model No.</b>	Description		
<b>212-L</b>	Escutcheon Lever - Key Locks or Unlocks	175	237
<b>212-L-NL</b>	Escutcheon Lever - Night Latch	175	237
<b>214-KIL</b>	Key in Lever Round Rose - Entrance	210	210
<b>214-KIL-NL</b>	Key in Lever Round Rose - Night Latch	210	210
<b>214-KIL-BE</b>	Key in Lever Round Rose - Passage	210	210
<b>218-NL</b>	Handle Pull Plate - Night Latch	111	158
<b>218-TP</b>	Handle Pull Plate - Thumbpiece	245	257
<b>240-NL</b>	Raised Lip Pull Plate - Night Latch	75	85

EXITS

Pushpads

Commercial /  
Medium Duty

20 Series

Prices subject to change without notice

## 1490 Series

**Devices are priced for 36" x 7',  
Aluminum or Hollow Metal Doors.  
RL Bottom Latch furnished standard.**  
(Price includes PB48 Strike.)



Model No.	US28	DC13, DC35	Standard Trim
1490EO	990	1017	-
1491DT	1186	1213	9970 Pull
1492NL-OP	1146	1173	149CA-NL w/Rim Cylinder
1493HB-OP	1146	1173	149CA-HB w/Rim Cylinder
1494NL-P	1342	1369	9970 Pull 149CA-NL w/Rim Cylinder
1495HB-P	1342	1369	9970 Pull 149CA-HB w/Rim Cylinder
1498	692	692	N/A Dummy Touchbar Device

### REFERENCE NOTES:

Specify Handing RHR or LHR. Device furnished RHR when handing is not specified, both RHR and LHR labels are provided.  
Specify if Door Material other than Aluminum.  
Not recommended for use on wood doors.  
Cylinder assembly furnished in DC35 finish, unless specified. Available finishes DC13, US28 & DC35.  
Rim cylinder supplied standard with NL and HB options is C keyway.

## 1490 Device Options

		List Add
<b>Extra Length</b>	42" 1490 Device	38
	48" 1490 Device	83
<b>Extra Length</b>	42" 1498 Device	22
	48" 1498 Device	28
<b>Extension Rods</b>	For Door Heights over 7' up to 10'	122
<b>Door Thickness</b>	For Doors greater than 1 3/4" up to 2 1/4" using cylinder assembly	28
<b>Rim Cylinder</b>	For Door with cylinder assembly (3216 - C Keyway)	106
<b>7 Pin Cylinder Assembly</b>	For Door with cylinder assembly and using 7 pin cylinder	27
<b>Risers (1/2")</b>	Specify device "x Riser" (example 1490EO x 36" x US28 x Riser)	105
<b>Centerlines</b>	Change from 40 9/16" standard Device Centerline	122
<b>HH</b>	Hurricane Device. Available up to 8' device only. Prefix device "HH"	24
<b>Signal Switch</b>	Base Exit Device unit modified with signal switch (SPDT) indicating latch condition. Prefix device "S". S Kit: See baseplate assemblies, page 264.	451
<b>Electric Latch Retraction</b>	Base Exit Device unit modified with Electric Latch Retraction and Signal Switch (SPDT). Prefix device "EL". EL Kit: See EL baseplate assemblies, page 264.	964

**(One PS914 x 900-2RS is the minimum requirement to power one or two EL devices.  
See Power Supply Section for requirements and options.)**

### REFERENCE NOTES:

HH (Hurricane) 1490 devices are hurricane rated by specific door manufacturers. Consult your device manufacturer to assure the HH1490 is hurricane rated with their door solution.

Prices subject to change without notice

**Offset Pull**

Model No.		Non-Finish	DC13, DC35, US28	US26, US26D
9970 Pull		-	196	442
STUD.102	9970 Mounting Stud (Pkg Qty 10)	35	-	-

**Replacement Cylinders**

Model No.	Description	US26D, US10B
3216	Rim Cylinder C Keyway	106

**Cylinder Assembly**

Model No.	Description	US28, DC13, DC35
149CA-NL	Cylinder Assembly Less Cylinder	50
149CA-HB	Cylinder Assembly Less Cylinder	50

**REFERENCE NOTES:**

Door Thickness greater than 1 3/4" up to 2 1/4", **add \$26 list.** 7 Pin Cylinder applications, **add \$25 list.**

**Risers**

Model No.	Description	List Price
RSR1490	1490 Riser Pkg	105

**Strikes - Concealed Vertical Rod**

Model No.	Description	Non-Finish	P13, P35, US32D
PB48	Top strike for 1990/1490/1690/2390 devices.	-	29
SHIM.112	PB48 Strike Shim (Pkg Qty: 10)	30	-

Prices subject to change without notice

EXITS

Pushpads

Commercial /  
Medium Duty

1490 Series



**1590 Series****Devices are priced 36",****Aluminum or Hollow Metal Doors.**

(Price includes TD35 Strike. Retractor needed for cylinder operation only furnished with 1592/3/4/5.)



Model No.	US28	DC13, DC35	Standard Trim
<b>1590EO</b>	815	845	-
<b>1591DT</b>	1011	1041	9970 Pull
<b>1592NL-OP</b> (Specify if used on pair of doors with Mullion.)	971	1001	159CA-NL w/Rim Cylinder
<b>1593HB-OP</b> (Specify if used on pair of doors with Mullion.)	971	1001	159CA-HB w/Rim Cylinder
<b>1594NL-P</b> (Specify if used on pair of doors with Mullion.)	1167	1197	9970 Pull 159CA-NL w/Rim Cylinder
<b>1595HB-P</b> (Specify if used on pair of doors with Mullion.)	1167	1197	9970 Pull 159CA-HB w/Rim Cylinder

**REFERENCE NOTES:**

Specify if Door Material other than Aluminum.

Device furnished non-handed with RHR and LHR Pushbar labels for field installation.

Cylinder assembly furnished in DC35 finish, unless specified. Available finishes DC13, US28 &amp; DC35.

Rim cylinder supplied standard with NL and HB options is C keyway.

**1590 Device Options**

		List Add
Matching Dummy Touchbar	Specify 1498 series. Refer to 1490 Device Page 254 for pricing.	-
Extra Length	42" 1590 Device	37
	48" 1590 Device	81
Door Thickness	For Doors greater than 1 3/4" up to 2 1/4" using cylinder assembly	28
Rim Cylinder	For Door with cylinder assembly (3216 - C Keyway)	106
7 Pin Cylinder Assembly	For Door with cylinder assembly and using 7 pin cylinder	27
Risers (1/2")	Specify device "x Riser" (example 1590EO x 36" x US28 x Riser)	105
Signal Switch	Base Exit Device unit modified with signal switch (SPDT) indicating latch condition. Prefix device "S". S Kit: See baseplate assemblies, page 264.	451
Electric Latch Retraction	Base Exit Device unit modified with Electric Latch Retraction and Signal Switch (SPDT). Prefix device "EL". EL Kit: See EL baseplate assemblies, page 264.	964

**(One PS914 x 900-2RS is the minimum requirement to power one or two EL devices.****See Power Supply Section for requirements and options.)**

Prices subject to change without notice

### Offset Pull

Model No.		Non-Finish	DC13, DC35, US28	US26, US26D
9970 Pull		–	196	442
STUD.102	9970 Mounting Stud (Pkg Qty 10)	35	–	–

### Replacement Cylinders

Model No.	Description	US26D, US10B
3216	Rim Cylinder C Keyway	106

### Cylinder Assembly

Model No.	Description	US28, DC13, DC35
159CA-NL	Cylinder Assembly Less Cylinder	50
159CA-HB	Cylinder Assembly Less Cylinder	50

**REFERENCE NOTES:**

Door Thickness greater than 1 3/4" up to 2 1/4", **add \$26 list.** 7 Pin Cylinder applications, **add \$25 list.**

### Retractors

Model No.	Description	List Price
For field conversion of 1590 inactive device to NL or HB functions.		
RTR10	1590 Retractor Single Door	19
RTR11	1590 Retractor Single Door with Riser	19
RTR12	1590 Retractor Pair with Mullion 1 3/4" Door	19
RTR13	1590 Retractor Pair with Mullion 2 1/4" Door	19
RTR14	1590RL Retractor 1 3/4" Door	106
RTR15	1590RL Retractor 2 1/4" Door	106

### Risers

Model No.	Description	List Price
RSR1590	1590 Riser Pkg	105

### Strikes - Rim

Model No.	Description	Black	P28	P13	P35	Non-Finish
STK45	Strike for inactive door, pair of doors with 1590/1790/2090 devices	–	–	–	96	–
TD35	Strike for single doors, 1590 and 1790 device	–	–	–	133	–
SHIM.150	TD35 Strike Shim	30	–	–	–	–
SCREW.1016	TD35 Screw 10-32 x 1" FPHMS (Pkg Qty 25)	28	–	–	–	–
4270109590	TD35 Wear Strip	–	–	–	–	16
RIVET.101	TD35 Drive Rivet (Pkg Qty 25)	–	–	–	–	38

Prices subject to change without notice

EXITS

Pushpads

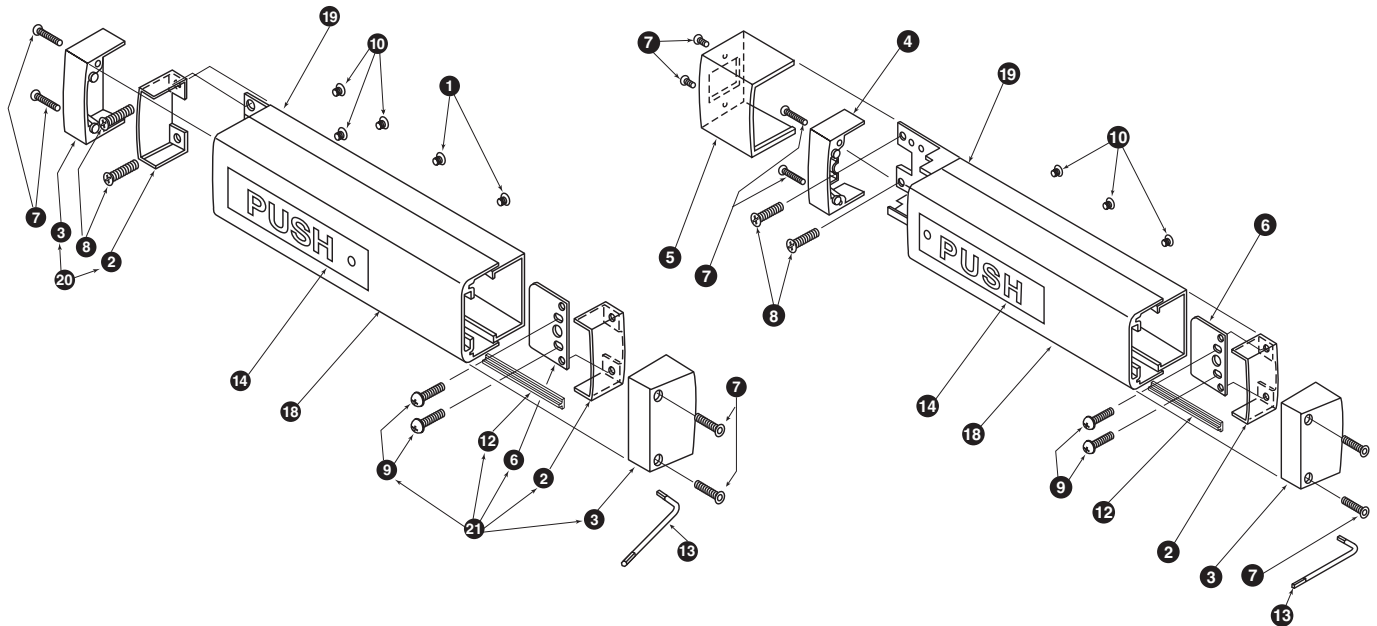
Commercial /  
Medium Duty

1490 / 1590  
Series

# Pushbar

**1490**

**1590**



Part No.	Description	Finish	Pkg. Qty	Price
1	SCREW.1028 10-32 1/4" UFPHMS Screw	-	10	29.00
2	4270106786 1490/1590 Pushbar Mounting Bracket	-	each	30.00
3	4270106787 1490/1590 Pushbar End Cap	P35	each	53.00
4	4270106875 1590 Pushbar End Cap	P35	each	25.00
5	4270106863 1590 Center Case Cover P35	P35	each	34.00
6	4270106770 1490/1590 P/Bar Hingeside Mounting Plate	-	each	17.00
7	SCREW.1050 8-32 1" FH Torx Screw (before September, 2004)	-	10	37.00
	SCREW.1143 8-18 1.1/4" FPH TF Typ 25	-	10	29.00
8	SCREW.1282 12-24 1 1/2" UFPHMS Screw (1490)	-	10	30.00
	SCREW.1066 12-24 1" UFPHMS Screw (1590)	-	10	30.00
9	SCREW.1053 12-24 1" PPH W/SEMS EXT TF Screw	-	10	30.00
10	SCREW.1012 8-32 1/4" UFPHMS Screw	US32D	10	16.00
	SCREW.1055 8-32 1/4" UFPHMS Screw	BLACK	10	16.00
12	BUMPER.103 Pushbar Bumper 4' (2 ea. Required)	-	each	16.00
14	4270107321 1490 RHR/1590 LHR Push Label	BLACK	each	34.00
	4270107323 1490 LHR/1590 RHR Push Label	BLACK	each	34.00
	4270107320 1490 RHR/1590 LHR Push Label	GOLD	each	34.00
	4270107322 1490 LHR/1590 RHR Push Label	GOLD	each	34.00

Prices subject to change without notice

**EXITS**  
  
 Pushpads  
  
 Commercial / Medium Duty  
  
 1490 / 1590 Series

Pushbar

Part No.	Description	Finish	Pkg. Qty	Price	
18	4270107027	1490 Pushbar 36"	US28	each	134.00
	4270107028	1490 Pushbar 36"	DC13	each	140.00
	4270107029	1490 Pushbar 36"	DC35	each	140.00
	4270107685	1490 Pushbar 36"	US3	each	1375.00
	4270107689	1490 Pushbar 36"	US4	each	1375.00
	4270107686	1490 Pushbar 36"	US10	each	1375.00
	4270107691	1490 Pushbar 36"	US10B	each	1441.00
	4270107687	1490 Pushbar 36"	US14	each	1441.00
	4270107688	1490 Pushbar 36"	US15	each	1441.00
18	4270107031	1490 Pushbar 48"	US28	each	143.00
	4270107032	1490 Pushbar 48"	DC13	each	151.00
	4270107033	1490 Pushbar 48"	DC35	each	151.00
	4270107703	1490 Pushbar 48"	US3	each	1382.00
	4270107707	1490 Pushbar 48"	US4	each	1382.00
	4270107704	1490 Pushbar 48"	US10	each	1382.00
	4270107709	1490 Pushbar 48"	US10B	each	1445.00
	4270107705	1490 Pushbar 48"	US14	each	1445.00
	4270107706	1490 Pushbar 48"	US15	each	1445.00
18	4270107091	1590 Pushbar 36"	US28	each	143.00
	4270107092	1590 Pushbar 36"	DC13	each	151.00
	4270107093	1590 Pushbar 36"	DC35	each	151.00
	4270107712	1590 Pushbar 36"	US3	each	1375.00
	4270107716	1590 Pushbar 36"	US4	each	1375.00
	4270107713	1590 Pushbar 36"	US10	each	1375.00
	4270107718	1590 Pushbar 36"	US10B	each	1448.00
	4270107714	1590 Pushbar 36"	US14	each	1448.00
	4270107715	1590 Pushbar 36"	US15	each	1448.00
18	4270107095	1590 Pushbar 48"	US28	each	162.00
	4270107096	1590 Pushbar 48"	DC13	each	169.00
	4270107097	1590 Pushbar 48"	DC35	each	169.00
	EXT.255	1590 Pushbar 48"	US3	each	1397.00
	EXT.259	1590 Pushbar 48"	US4	each	1397.00
	EXT.256	1590 Pushbar 48"	US10	each	1397.00
	EXT.261	1590 Pushbar 48"	US10B	each	1464.00
	EXT.257	1590 Pushbar 48"	US14	each	1464.00
	EXT.258	1590 Pushbar 48"	US15	each	1464.00
19	4270107034	1490 Channel 36"	US28	each	134.00
	4270107035	1490 Channel 36"	DC13	each	140.00
	4270107036	1490 Channel 36"	DC35	each	140.00
19	4270107038	1490 Channel 48"	US28	each	143.00
	4270107039	1490 Channel 48"	DC13	each	151.00
	4270107040	1490 Channel 48"	DC35	each	151.00
19	4270107587	1590 Channel 36"	US28	each	162.00
	4270107588	1590 Channel 36"	DC13	each	169.00
	4270107589	1590 Channel 36"	DC35	each	169.00
19	4270107591	1590 Channel 48"	US28	each	177.00
	4270107592	1590 Channel 48"	DC13	each	187.00
	4270107593	1590 Channel 48"	DC35	each	187.00
20	ECAP.111	1490 Lockside End Cap Assembly	P35	each	41.00
21	ECAP.103	1490 Hingside End Cap Assembly	P35	each	48.00
	PKG.102	1490 Mounting Package	US28	each	28.00
	PKG.104	1490 Mounting Package	DC35	each	29.00
	PKG.105	1590 Mounting Package	-	each	28.00

EXITS

Pushpads

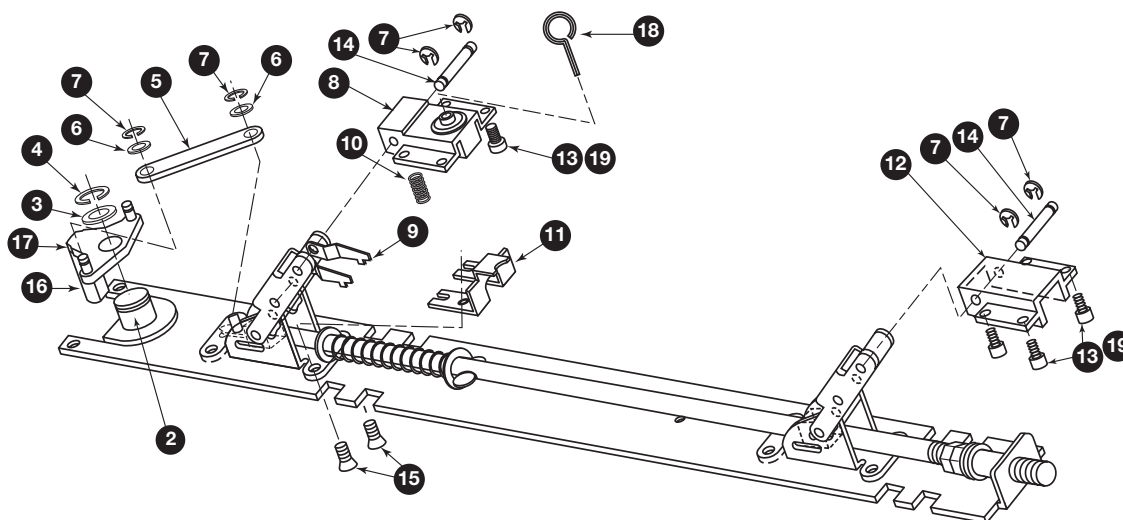
Commercial / Medium Duty

1490 / 1590 Series

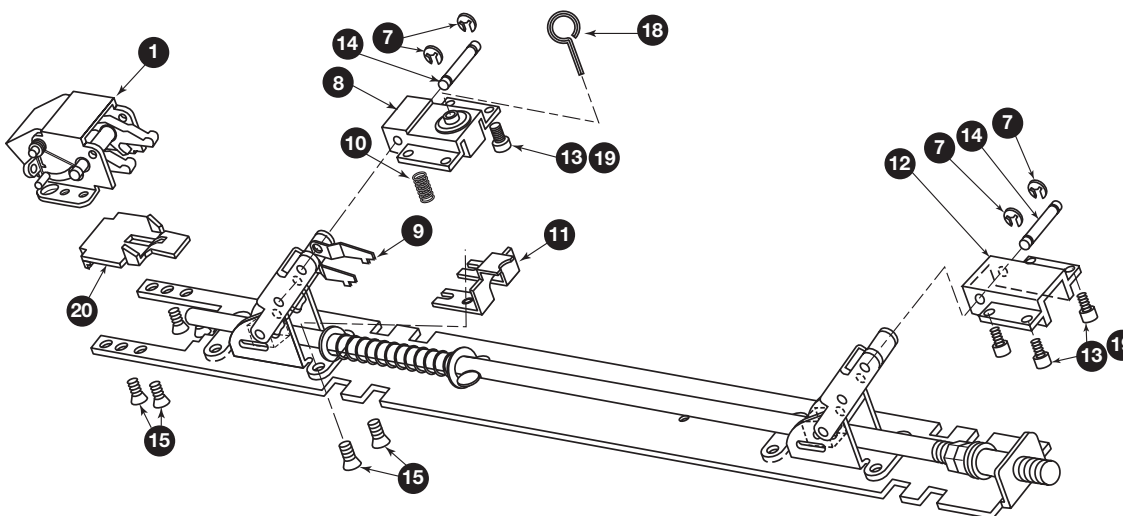
Prices subject to change without notice

# Activating Baseplate Assembly

**1490**



**1590**



Prices subject to change without notice

## Activating Baseplate Assembly

	Part No.	Description	Finish	Pkg. Qty	Price
1	4270107603	1590 Latchbolt Assembly	-	each	143.00
2	4270106769	Lift Lever Axle	-	each	17.00
3	WASHER.102	Lift Lever Washer	-	10	27.00
4	RRING.104	Retaining Ring .500"	-	10	19.00
5	4270106773	Link	-	each	16.00
6	WASHER.103	Link Washer	-	10	27.00
7	RRING.105	Retaining Ring .188"	-	10	16.00
8	4270107046	Dogging Bracket Assembly	-	each	81.00
9	971659-79	Dogging Clip	-	each	43.00
10	4299101020	Compression Spring	-	each	12.00
11	971660-79	Act. Rod Spring Stop CZNC	-	each	19.00
12	4270106977	Clevis	-	each	112.00
13	SCREW.1136	8-32 3/8" PPHMS w/Sems	-	10	41.00
14	AXLE.1007	Clevis Assembly Axle	-	10	19.00
15	SCREW.1043	10-32 3/8" UFPHMS Screw	-	10	19.00
16	4270106745	Lift Lever	-	each	27.00
17	4270106772	Pivot Pin	-	each	27.00
18	KEY.10020	Hex Dogging Key 5/32"	-	10	53.00
19	WASHER.107	#8 Washer Hi-Collar	-	10	17.00
20	4270106888	1590 Retractor-Sgl Dr 1 3/4" (Only furnished with 1592/3/4/5)	-	each	19.00
	4270107422	1590 Retractor-Sgl Dr 2 1/4" (Only furnished with 1592/3/4/5)	-	each	19.00
	4270107520	1590 Retractor-Pair w/Mullion 1 3/4" Dr (Only furnished with 1592/3/4/5)	-	each	19.00
	4270107521	1590 Retractor-Pair w/Mullion 2 1/4" Dr (Only furnished with 1592/3/4/5)	-	each	19.00

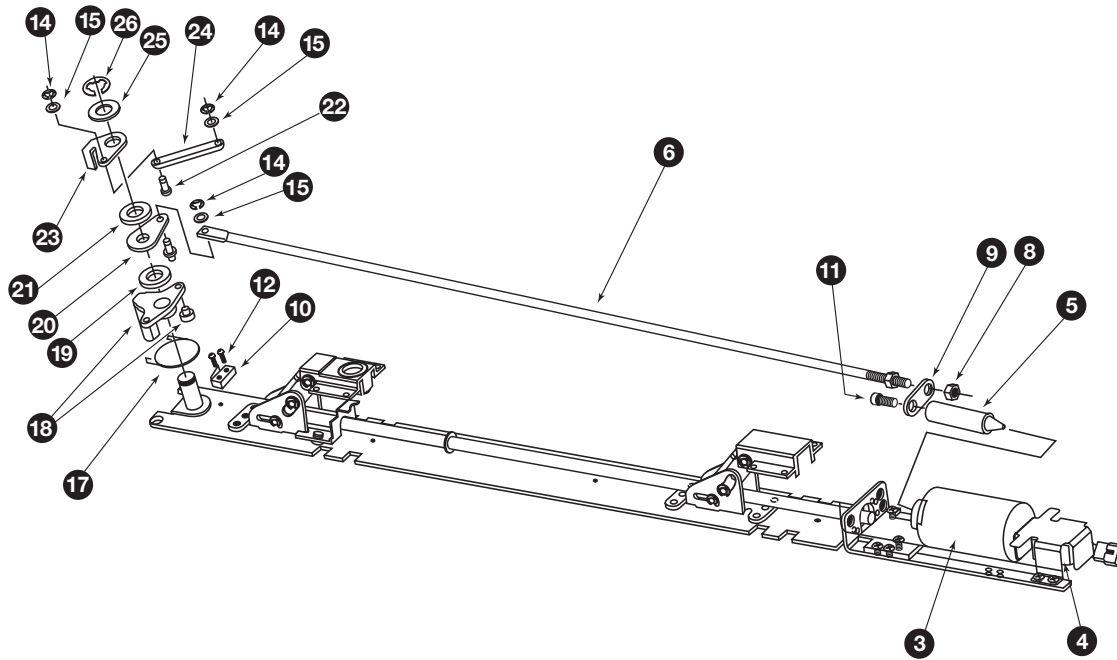
### 1490 Base Plate Assemblies

	4270107061	1490 Baseplate Assembly LHR 36"	-	each	560.00
	4270107048	1490 Baseplate Assembly LHR 48"	-	each	626.00
	4270107047	1490 Baseplate Assembly RHR 36"	-	each	560.00
	4270107060	1490 Baseplate Assembly RHR 48"	-	each	626.00
	4270107089	1590 Baseplate Assembly 36"	-	each	402.00
	4270107090	1590 Baseplate Assembly 48"	-	each	473.00

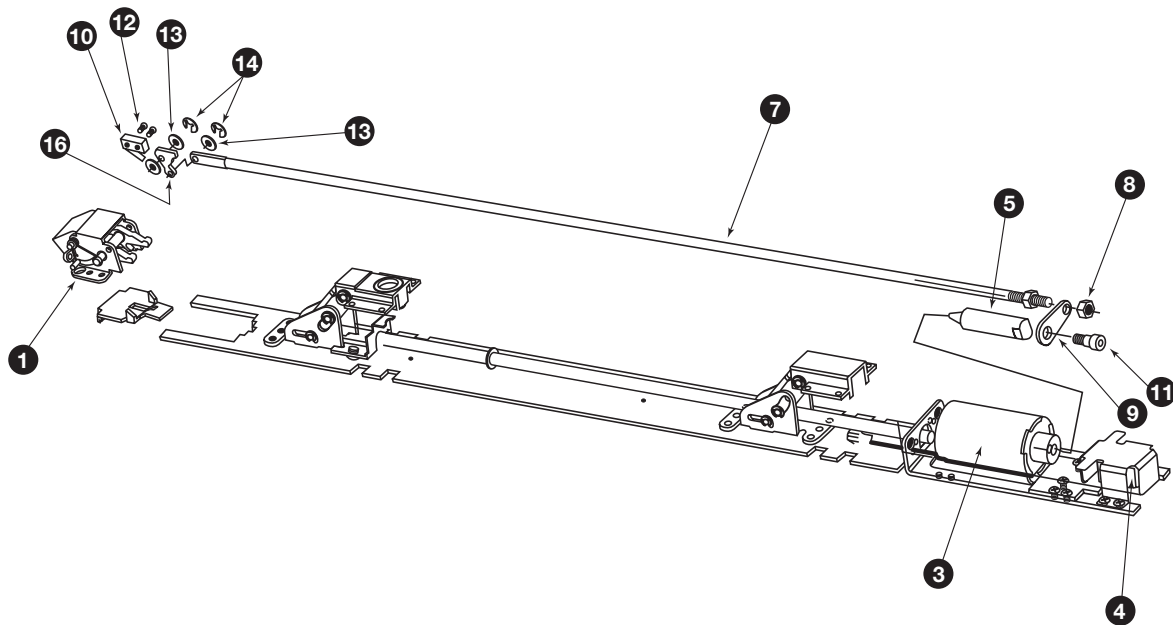
Prices subject to change without notice

# Activating Baseplate Assembly

## EL1490



## EL1590



Prices subject to change without notice

## Activating Baseplate Assembly

	Part No.	Description	Finish	Pkg. Qty	Price	
	1	4270107623	EL1590 Latchbolt Assembly 36"	-	each	424.00
		LATCHR.102	EL1590 Latchbolt Assembly 48"	-	each	430.00
2	4270108763	S1590 Latchbolt Assembly	-	each	316.00	
3	SOLENOID.142	EL Solenoid	-	each	279.00	
4	050534-00	EL Potted Circuit Breaker	-	each	357.00	
5	47361878	EL Solenoid Plunger	-	each	84.00	
	110388-00	EL Cable Assembly (not shown)	-	each	53.00	
6	4270107193	EL1490 Pull Rod 36"	-	each	43.00	
	4270107361	EL1490 Pull Rod 48"	-	each	51.00	
7	4270107342	EL1590 Push Rod 36"	-	each	51.00	
	4270107360	EL1590 Push Rod 48"	-	each	68.00	
8	NUT.103	1/4-20 Hex Nut	-	10	12.00	
9	4270107341	EL1590 Link	-	each	12.00	
10	SWITCH.1002	Subminiature Switch Assembly 36"	-	each	76.00	
	SWITCH.1004	Subminiature Switch Assembly 48"	-	each	83.00	
11	SCREW.1061	1/4-20 29/32" Soc Shoulder Screw	BLACK	10	40.00	
	SCREW.1136	8-32 3/8" PPH w/Sems Machine Screw	-	10	40.00	
12	SCREW.1063	2-56 RHMS Screw	-	10	12.00	
	SCREW.1065	8-32 1/4" PPH MS Typ 2A Screw	-	10	12.00	
14	RRING.105	Retaining Ring .188	-	10	16.00	
15	WASHER.103	Link Washer	-	10	27.00	
16	LEVER.103	EL1590 Release Lever Assembly	-	each	87.00	
17	4270107429	EL1490 Lift Lever Spring-LHR	-	each	12.00	
	4270107430	EL1490 Lift Lever Spring-RHR	-	each	12.00	
18	LEVER.104	EL1490 Lift Lever Sub-Assembly LHR	-	each	40.00	
	LEVER.105	EL1490 Lift Lever Sub-Assembly RHR	-	each	40.00	
19	4270107194	EL Lift Lever Spacer	-	each	18.00	
20	4270107192	EL1490 Pivot Bracket	-	each	12.00	
21	4270109142	Lift Lever Washer	-	each	17.00	
22	4270107186	Link Pin	-	each	12.00	
23	4270107188	EL1490 Lift Lever Bracket-LHR	-	each	12.00	
	4270107189	EL1490 Lift Lever Bracket-RHR	-	each	12.00	
24	4270106773	1490 Link	-	each	16.00	
25	WASHER.102	Lift Lever Washer	-	10	25.00	
26	RRING.104	Retaining Ring .500	-	10	19.00	
27	4270107363	Pivot Pin YZNC STL	-	each	12.00	

### S1490/S1590 Baseplate Assemblies

	BASEASY.210	S1490 Baseplate Assembly LHR 36"	-	each	1,115.00
	BASEASY.211	S1490 Baseplate Assembly LHR 48"	-	each	1,180.00
	BASEASY.208	S1490 Baseplate Assembly RHR 36"	-	each	1,115.00
	BASEASY.209	S1490 Baseplate Assembly RHR 48"	-	each	1,180.00
	BASEASY.220	S1590 Baseplate Assembly 36"	-	each	957.00
	BASEASY.221	S1590 Baseplate Assembly 48"	-	each	1,025.00

**NOTE:** For "S" signal switch field replacement or conversion.

### EL1490/EL1590 Baseplate Assemblies

	KIT.1011	EL1490 Baseplate Kit LHR 36"	-	each	1,098.00
	KIT.1010	EL1490 Baseplate Kit RHR 36"	-	each	1,098.00
	KIT.1013	EL1490 Baseplate Kit LHR 48"	-	each	1,098.00
	KIT.1012	EL1490 Baseplate Kit RHR 48"	-	each	1,098.00
	KIT.1008	EL1590 Baseplate Kit 36"	-	each	1,098.00
	KIT.1009	EL1590 Baseplate Kit 48"	-	each	1,098.00

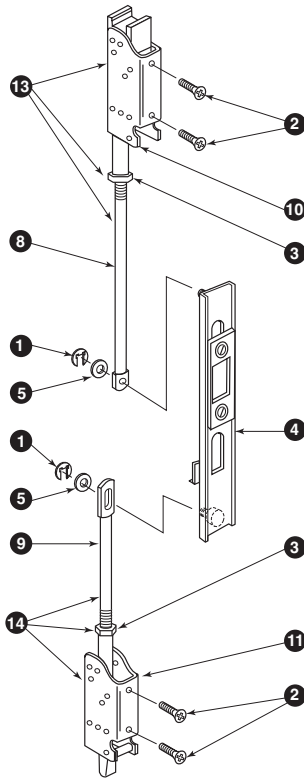
**NOTE:** For "EL" field replacement. Also contains "S" signal switch.

Prices subject to change without notice

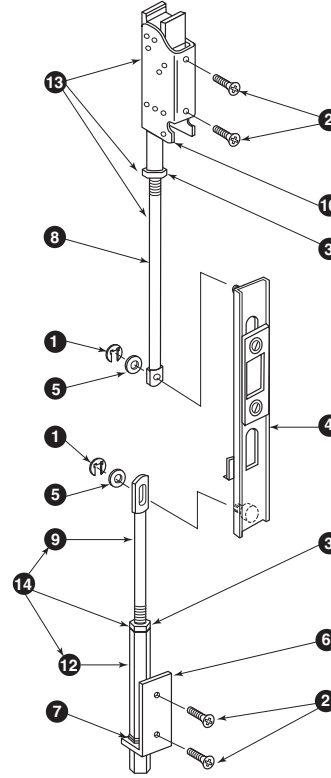


# Rod Assembly

## Standard Rod Assembly



## EL Rod Assembly

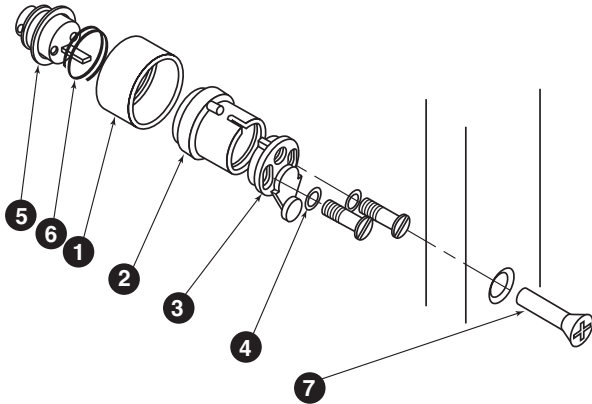


Part No.	Description	Finish	Pkg. Qty	Price
1	RRING.103 Retaining Ring .250	-	25	16.00
2	SCREW.1028 10-32 1/4" UFPH Screw	US32D	10	29.00
	SCREW.1029 10-32 1/4" UFPH Screw	BLACK	10	29.00
3	NUT.101 3/8-24 Jam Nut	-	10	29.00
4	4270106796 Lift Bracket Assembly	-	each	75.00
	4270107495 EL Lift Bracket Assembly	-	each	86.00
5	WASHER.116 Rod Washer	-	10	19.00
6	4270108426 EL Hex Rod Guide Assembly	US32D	each	53.00
	GUIDE.101 EL Hex Rod Guide Assembly	P35	each	53.00
7	BUSH.107 EL Hex Bushing	-	10	29.00
	GUIDE.102 HH Hex Rod Guide Assembly	P35	each	77.00
8	4270106776 Top Rod 35.000"	-	each	72.00
9	4270106775 Standard Bottom Rod 31.625"	-	each	72.00
	4270109003 EL Bottom Rod 34.625"	-	each	80.00
10	4270105926 EL Top Latch	-	each	177.00
	4270101806 SU Top Latch	-	each	133.00
11	4270100521 RL Bottom Latch	-	each	112.00
12	4270101830 Hex Bottom Bolt	-	each	48.00
13	RODASY.110 1490 Top Rod Assembly 7' Dr	-	each	208.00
	4270109078 EL1490 Top Rod Assembly 7' Dr	-	each	251.00
14	RODASY.112 Bottom Rod Assembly	-	each	123.00
	4270109077 EL1490 Bottom Rod Assembly	-	each	136.00
15	4270106782 1490 Top/Btm Rod Assembly 7' Dr	-	each	402.00
	4270107497 EL1490 Top/Btm Rod Assembly 7' Dr	-	each	449.00
	4270107791 Extension Rod Kit over 7' up to 10' Drs	-	each	146.00

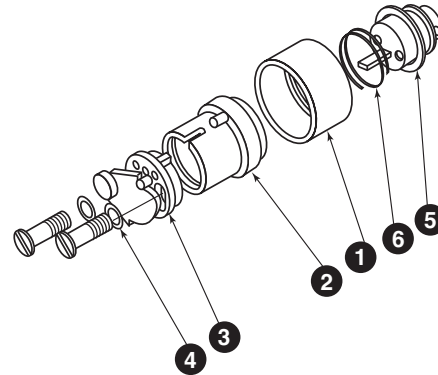
Prices subject to change without notice

# Cylinder Assembly

1490



1590



## Cam Assembly



Hold Back



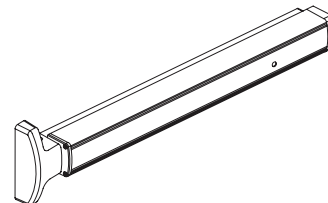
Night Latch

	Part No.	Description	Finish	Pkg. Qty	Price	
1	4270107213	Cylinder Collar 1.00"	P28	each	29.00	
	4270107214	Cylinder Collar 1.00"	P13	each	29.00	
	4270107215	Cylinder Collar 1.00"	P35	each	29.00	
	4270109005	Cylinder Collar 7 Pin 1.25"	P28	each	41.00	
	4270109006	Cylinder Collar 7 Pin 1.25"	P13	each	41.00	
	4270109007	Cylinder Collar 7 Pin 1.25"	P35	each	41.00	
	2	4270107286	Cylinder Tube w/Pin 1 3/4" DR	-	each	45.00
4270107833		Cylinder Tube w/Pin 2" DR	-	each	77.00	
4270107787		Cylinder Tube w/Pin 2 1/4" DR	-	each	77.00	
4270109009		Cylinder Tube w/Pin 7 Pin 1 3/4" DR	-	each	77.00	
4270109190		Cylinder Tube w/Pin 7 Pin 2" DR	-	each	77.00	
4270109630		HH Cylinder Tube w/Pin 2 3/8" DR	-	each	53.00	
CTUBE.232		HH Cylinder Tube w/Pin 7 Pin 2 3/8" DR	-	each	84.00	
3	4270107268	1490 NL Cam Assembly	-	each	37.00	
	4270107270	1490 HB Cam Assembly	-	each	37.00	
	4270107283	1590 NL Cam Assembly	-	each	37.00	
	4270107285	1590 HB Cam Assembly	-	each	37.00	
	4	WASHER.108	Cylinder Adaptor Washer	-	10	19.00
5		WASHER.109	Cylinder Lock Washer	CZNC	10	27.00
		WASHER.110	Cylinder Lock Washer	BLACK	10	27.00
6	SPRING.105	Cylinder Collar Spring	-	10	13.00	
7	SCREW.1105	12-24 1.1/2" UFPHMS Screw	CZNC	10	30.00	
	SCREW.1099	12-24 1.1/2" UFPHMS Screw	BLACK	10	29.00	

Prices subject to change without notice

## 1690 Series

Devices are priced for 30", 36" x 7',  
Aluminum or Hollow Metal Doors.  
Hex Bottom Latch furnished standard.  
(Price includes PB48 Strike)



Model No.	US28	DC13, DC35	US26	US26D	Standard Trim
1690EO	549	587	717	688	–
1691DT	745	783	1159	1130	9970 Pull
1692NL-OP/HB-OP	688	726	856	827	169CA w/Rim Cylinder
1694NL-P/HB-P	884	922	1298	1269	9970 Pull 169CA w/Rim Cylinder

### REFERENCE NOTES:

Devices are supplied 36" x 7' standard, if not specified.  
Rim cylinder supplied standard with NL and HB options is C keyway.

## Extra Length

	List Add
42"	21.00
48"	30.00

## Optional Latches

Suffix		List Add
RL	Rod Bottom Latch	33.00
PL	Pullman Bottom Latch	33.00
ES	Top Latch for use with Electric Strikes Device Furnished LBR (Less Bottom Rod and Less Strike) <b>deduct \$27 List</b>	37.00
Less Rods	For retrofit of 1990 crossbar device, <b>deduct \$53 List</b>	

## Door Heights over 7'

	List Add
Up to 8'	75.00
Up to 9'	95.00
Up to 10'	110.00

## Device Options

		List Add
RX Switch	Base Exit Device unit modified Request to Exit Switch monitoring pushpad. <b>Prefix device "RX".</b>	245.00
Electric Latch Retraction	Base Exit Device unit modified with Electric Latch Retraction. <b>Prefix device "EL".</b> The EL option is not field replaceable on this model.	620.00
<b>(One PS914 x 900-2RS is the minimum requirement to power one or two EL devices. See Power Supply Section for requirements and options.)</b>		
Electric Dogging	Base Exit Device unit modified with Electric Dogging <b>Prefix device "ED".</b>	657.00
HH	Hurricane device. Available up to 8' device only. <b>Prefix device "HH".</b> HH is for a Hurricane device for all door manufactures other than YKK.	131.00
HHYKK	Hurricane device. Available up to 8' device only. <b>Prefix device "HHYKK".</b> HHYKK is for a Hurricane device for door manufacture YKK.	131.00

### REFERENCE NOTES:

For EL1690 Door widths other than the standard size (30", 36", 42" or 48"), please specify exact door width. For non-standard widths, the price of the next widest standard size will apply.  
HH (Hurricane) 1690 devices are hurricane rated by specific door manufacturers. Consult your device manufacturer to assure the HH1690 is hurricane rated with their door solution.

Prices subject to change without notice

**Offset Pull**

Model No.		Non-Finish	DC13, DC35, US28	US26, US26D
9970 Pull		-	196	442
STUD.102	9970 Mounting Stud (Pkg Qty 10)	35	-	-

**Replacement Cylinders**

Model No.	Description	US26D, US10B
3216	Rim Cylinder C Keyway	106

**Cylinder Assembly**

Model No.	Description	Non-Finish
169CA	Cylinder Assembly Less Cylinder	33

**Strikes - Concealed Vertical Rod**

Model No.	Description	Non-Finish	P13, P35, US32D
PB48	Top strike for 1990/1490/1690/2390 devices.	-	29
SHIM.112	PB48 Strike Shim (Pkg Qty: 10)	30	-

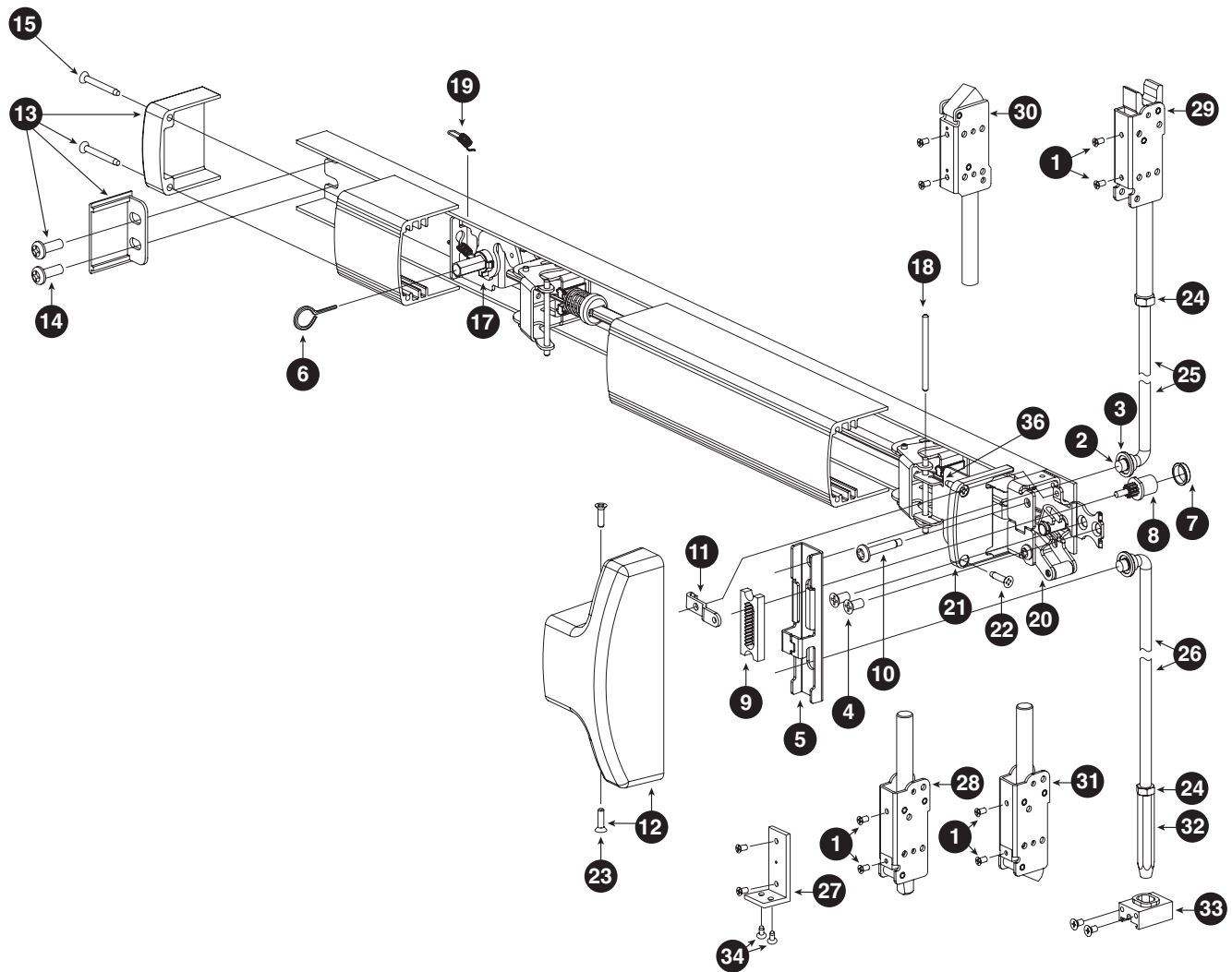
EXITS

Pushpads

Commercial /  
Medium Duty

1690 Series

Prices subject to change without notice



Part No.	Description	Finish	Pkg. Qty	Price
1	SCREW.1028	US32D	10	29.00
	SCREW.1029	BLACK	10	29.00
2	BUSH.109	Bearing Bushing	10	30.00
3	RRING.109	Retaining Ring .250"	25	27.00
4	SCREW.1069	Lock Stile Mounting Screw	10	17.00
5	BRKT.138	Lift Bracket	each	29.00
6	KEY.10020	Hex Dogging Key 5/32"	10	53.00
	PKG.150	Auxiliary Package (part 1-6)	each	30.00
	PKG.151	Auxiliary Package (part 1-6)	each	30.00
7	BUSH.102	Cylinder Bushing	10	30.00
8	CAM.102	Pinion Cam	10	162.00
	4270903177	Pinion Cam	each	27.00
9	RETRACT.101	Rod Retractor	10	68.00
10	SCREW.1074	Retainer Screw	10	27.00
11	BRKT.478	Pinion Support Bracket	each	12.00
12	COVER.113	Center Case Cover Kit	each	46.00
13	ECAP.130	Channel/Hinge End Cap Kit	each	32.00

Prices subject to change without notice

# 1690 Series Exploded View And Parts List

	Part No.	Description	Finish	Pkg. Qty	Price
14	SCREW.1070	1/4-20 1/2" PPHMS Screw	-	10	16.00
15	SCREW.1072	#8 1.1/2" FPH TC Typ AB Screw (before September, 2004)	-	10	16.00
	SCREW.1143	8-18 1.1/4" FPH TF Typ 25	-	10	29.00
16	SCREW.1067	1/4-20 3/8" Hex Soc Set Screw	BLACK	3	17.00
	SCREW.1068	1/4-20 3/8" Hex Soc Set Screw	US28	3	17.00
17	KIT.1197	Dogging Kit		each	38.00
18	PIN.128	Push Bar Pin	-	10	16.00
19	971493-76	Dogging Spring	-	each	12.00
20	BRKTASY.107	Actuator Arm Bracket Assy	-	each	19.00
21	ECAP.129	Lock Stile Push Bar End Cap	P35	each	19.00
22	SCREW.1077	8-3/4" FPHSMS (before September, 2004)	BLACK	10	29.00
	SCREW.1141	8-18 .3/4" FPH TF Typ 25	-	10	22.00
23	SCREW.1025	8-5/8" FPHSMS (before September, 2004)	BLACK	10	27.00
24	NUT.101	Rod Jam Nut	-	10	29.00
25	4270100017	SU/PL/ES/RL Rod (Standard)	-	each	40.00
	4270102427	SU/PL/ES/RL Rod-1/4" Insulclad 7'	-	each	40.00
	4270102426	SU/PL/ES/RL Rod-1/4" Insulclad 8'	-	each	130.00
	4270100018	SU Rod 8' Door	-	each	130.00
	4270100172	SU Ext Rod Kit Up to 9' Dr (not shown)	-	each	114.00
	4270100197	SU Ext Rod Kit Up to 10' Dr (not shown)	-	each	134.00
26	4270101825	Hex Bottom Rod	-	each	40.00
27	BRKTASY.101	Latch Mtg Bracket Kit-HMD	-	each	56.00
28	● 4270100521	RL Bottom Latch	-	each	112.00
29	● 4270101806	SU Top Latch	-	each	133.00
30	● 4270100346	ES Top Latch	-	each	154.00
31	● 4270101482	PL Bottom Latch	-	each	112.00
32	BOLT.1004	Hex Bottom Bolt Beveled	-	each	53.00
33	4270107176	Hex Rod Guide Assembly	US32D	each	46.00
	4270107178	Hex Rod Guide Assembly	P35	each	46.00
	SCREW.1076	Hex Rod Guide Screws	US28	10	12.00
	SCREW.1081	Hex Rod Guide Screws	DC13/DC35	10	12.00
	PIN.110	ES Latch Pin	-	10	28.00
	PIN.109	SU/ES/PL/HH Latch Spirol Pin	-	10	22.00
34	SCREW.1037	10-32 3/8" FPHMS	-	25	27.00
	● 4270106632	SU Top Rod Assembly 7' Dr	-	each	177.00
	● 4270106633	SU Top Rod Assembly 8' Dr	-	each	265.00
	● 4270101818	SU Top Rod Assembly 9' Dr	-	each	288.00
	● 4270101819	SU Top Rod Assembly 10' Dr	-	each	314.00
	● 4270101873	ES Top Rod Assembly 7' Dr	-	each	223.00
	4270101874	ES Top Rod Assembly 8' Dr	-	each	337.00
	● 4270100522	RL Bottom Rod Assembly	-	each	177.00
	RODASY.1075	Hex Bottom Rod Assembly	-	each	124.00
	● 4270100266	PL Bottom Rod Assembly	-	each	181.00
36	BRKT.128	Pushbar Anchor Bracket	-	each	12.00

## REFERENCE NOTES:

- Specify if door material other than aluminum. Complete rod and latch assembly includes (4270100017) standard rod and (Nut.101). Part numbers shown are for standard centerlines and assembled lengths.

Prices subject to change without notice

Part No.	Description	Finish	Pkg. Qty	Price
KIT.1156	NL Cylinder Assy & Auxiliary Parts (parts 1-10)	US28	each	72.00
KIT.1157	NL Cylinder Assy & Auxiliary Parts (parts 1-10)	DC13/DC35	each	72.00
169CA	1690NL Cylinder Assembly (parts 7-11)	-	each	33.00
SCREW.1121	10-32 3/8" UFPH TF	US28	8	13.00
SCREW.1114	10-32 3/8" UFPH TF	DC13/DC35	8	13.00
BRKT.156	Center Case Bracket	-	each	19.00
SWITCH.1006	RX Switch Wire Assembly (not shown) Valid for Field Install RX Option on Devices shipped after June, 2002	-	each	259.00
050534-00	EL Potted Circuit Breaker (not shown)	-	each	357.00
971687-00	EL Solenoid 24 VDC (not shown)	-	each	290.00
47361878	EL Plunger (not shown)	-	each	84.00
110388-00	EL Cable Assembly (not shown)	-	each	53.00

## 1690/1790 Pushbars and Channels Standard EL

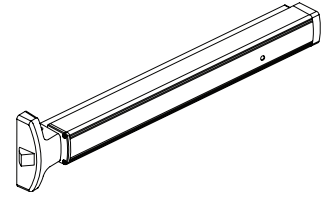
EXT.827	EXT.830	1690/1790 Pushbar 30"	US28	each	123.00
EXT.828	EXT.825	1690/1790 Pushbar 30"	DC13	each	143.00
EXT.829	EXT.826	1690/1790 Pushbar 30"	DC35	each	143.00
EXT.2351	EXT.2323	1690/1790 Pushbar 30"	US3	each	337.00
EXT.2352	EXT.2333	1690/1790 Pushbar 30"	US10	each	303.00
EXT.2353	EXT.2338	1690/1790 Pushbar 30"	US26	each	337.00
EXT.2354	EXT.2340	1690/1790 Pushbar 30"	US26D	each	303.00
EXT.608	EXT.398	1690/1790 Pushbar 36"	US28	each	123.00
EXT.609	EXT.399	1690/1790 Pushbar 36"	DC13	each	143.00
EXT.631	EXT.400	1690/1790 Pushbar 36"	DC35	each	143.00
EXT.2355	EXT.2324	1690/1790 Pushbar 36"	US3	each	337.00
EXT.2356	EXT.2334	1690/1790 Pushbar 36"	US10	each	303.00
EXT.2357	EXT.2339	1690/1790 Pushbar 36"	US26	each	337.00
EXT.2358	EXT.2289	1690/1790 Pushbar 36"	US26D	each	303.00
EXT.646	EXT.438	1690/1790 Pushbar 42"	US28	each	134.00
EXT.736	EXT.439	1690/1790 Pushbar 42"	DC13	each	159.00
EXT.737	EXT.441	1690/1790 Pushbar 42"	DC35	each	159.00
EXT.2359	EXT.2341	1690/1790 Pushbar 42"	US3	each	350.00
EXT.2360	EXT.2345	1690/1790 Pushbar 42"	US10	each	316.00
EXT.2361	EXT.2349	1690/1790 Pushbar 42"	US26	each	350.00
EXT.2362	EXT.2350	1690/1790 Pushbar 42"	US26D	each	316.00
EXT.738	EXT.442	1690/1790 Pushbar 48"	US28	each	143.00
EXT.739	EXT.443	1690/1790 Pushbar 48"	DC13	each	169.00
EXT.740	EXT.444	1690/1790 Pushbar 48"	DC35	each	169.00
EXT.2363	EXT.2298	1690/1790 Pushbar 48"	US3	each	359.00
EXT.2364	EXT.2303	1690/1790 Pushbar 48"	US10	each	323.00
EXT.2365	EXT.2304	1690/1790 Pushbar 48"	US26	each	359.00
EXT.2366	EXT.2294	1690/1790 Pushbar 48"	US26D	each	323.00
EXT.175		1690 Channel 27.138	US28	each	30.00
EXT.177		1690 Channel 27.138	DC13	each	46.00
EXT.741		1690 Channel 33.138	US28	each	33.00
EXT.742		1690 Channel 33.138	DC13	each	38.00
EXT.743		1690 Channel 33.138	DC35	each	37.00
EXT.744		1690 Channel 39.138	US28	each	38.00
EXT.745		1690 Channel 39.138	DC13	each	45.00
EXT.746		1690 Channel 39.138	DC35	each	45.00
EXT.747		1690 Channel 45.138	US28	each	43.00
EXT.748		1690 Channel 45.138	DC13	each	52.00
EXT.749		1690 Channel 45.138	DC35	each	56.00
4270109291		1690 Channel 32.250	US28	each	36.00
4270109295		1690 Channel 44.250	US28	each	43.00
4270109293		1690 Channel 44.250	DC35	each	51.00
EXT.178		1690 Channel 27.138	DC35	each	52.00
4270109297		1690 Channel 44.250	DC35	each	64.00
4270109423		1690 Channel 38.250	US28	each	43.00
4270109424		1690 Channel 38.250	DC13	each	43.00
4270109425		1690 Channel 38.250	DC35	each	64.00
EXT.101		1790 Channel 33.580	US28	each	72.00
EXT.102		1790 Channel 39.580	US28	each	75.00
EXT.103		1790 Channel 45.580	US28	each	80.00
4270109571		1790 Channel 33.580	DC13	each	66.00
4270109572		1790 Channel 39.580	DC13	each	77.00
4270109574		1790 Channel 33.580	DC35	each	73.00
4270109575		1790 Channel 39.580	DC35	each	81.00
4270109576		1790 Channel 45.580	DC35	each	87.00

Prices subject to change without notice

## 1790 Series

Devices are priced for 30" and 36",  
Aluminum or Hollow Metal Doors.

(Price includes TD35 Strike)



Model No.	US28	DC13, DC35	US26	US26D	Standard Trim
1790EO	501	535	666	642	-
1791DT	697	731	1108	1084	9970 Pull
1792NL-OP/HB-OP	607	641	772	748	179CA w/Rim Cylinder
1794NL-P/HB-P	803	837	1214	1190	9970 Pull 179CA w/Rim Cylinder

### REFERENCE NOTES:

Devices are supplied 36" x 7' standard, if not specified.  
Rim cylinder supplied standard with NL and HB options is C keyway.

## Extra Length

	List Add
42"	21.00
48"	30.00

## Device Options

	List Add
<b>RX Switch</b> Base Exit Device unit modified Request to Exit Switch monitoring pushpad. <b>Prefix device "RX".</b>	245.00
<b>Electric Latch Retraction</b> Base Exit Device unit modified with Electric Latch Retraction. <b>Prefix device "EL".</b> The EL option is not field replaceable on this model. <b>(One PS914 x 900-2RS is the minimum requirement to power one or two EL devices. See Power Supply Section for requirements and options.)</b>	620.00
<b>Electric Dogging</b> Base Exit Device unit modified with Electric Dogging <b>Prefix device "ED".</b>	657.00

### REFERENCE NOTES:

For EL1790 Door widths other than the standard size (30", 36", 42" or 48"), please specify exact door width.  
For non-standard widths, the price of the next widest standard size will apply.

## Lever Control

Model No.	Description	P28 P13 P35	US15
179L	Lever Control	383	427
179L-BE	Lever Control, Blank Escutcheon	383	427
179L-NL	Lever Control, Night Latch	383	427

### REFERENCE NOTES:

Lever Controls are Handed. Specify handing RHR or LHR.  
179L Trims are field retrofittable with all 1790 Series Devices.  
For initial installation requiring lever trim, the 1790EO is the suggested device to order with the 179L trims.  
179L and L-NL require a 1 1/8" mortise cylinder with straight cam, sold separately.

Prices subject to change without notice



**Offset Pull**

Model No.		Non-Finish	DC13, DC35, US28	US26, US26D
<b>9970 Pull</b>		–	196	442
<b>STUD.102</b>	9970 Mounting Stud (Pkg Qty 10)	35	–	–

**Replacement Cylinders**

Model No.	Description	US26D, US10B
<b>3216</b>	Rim Cylinder C Keyway	106

**Cylinder Assembly**

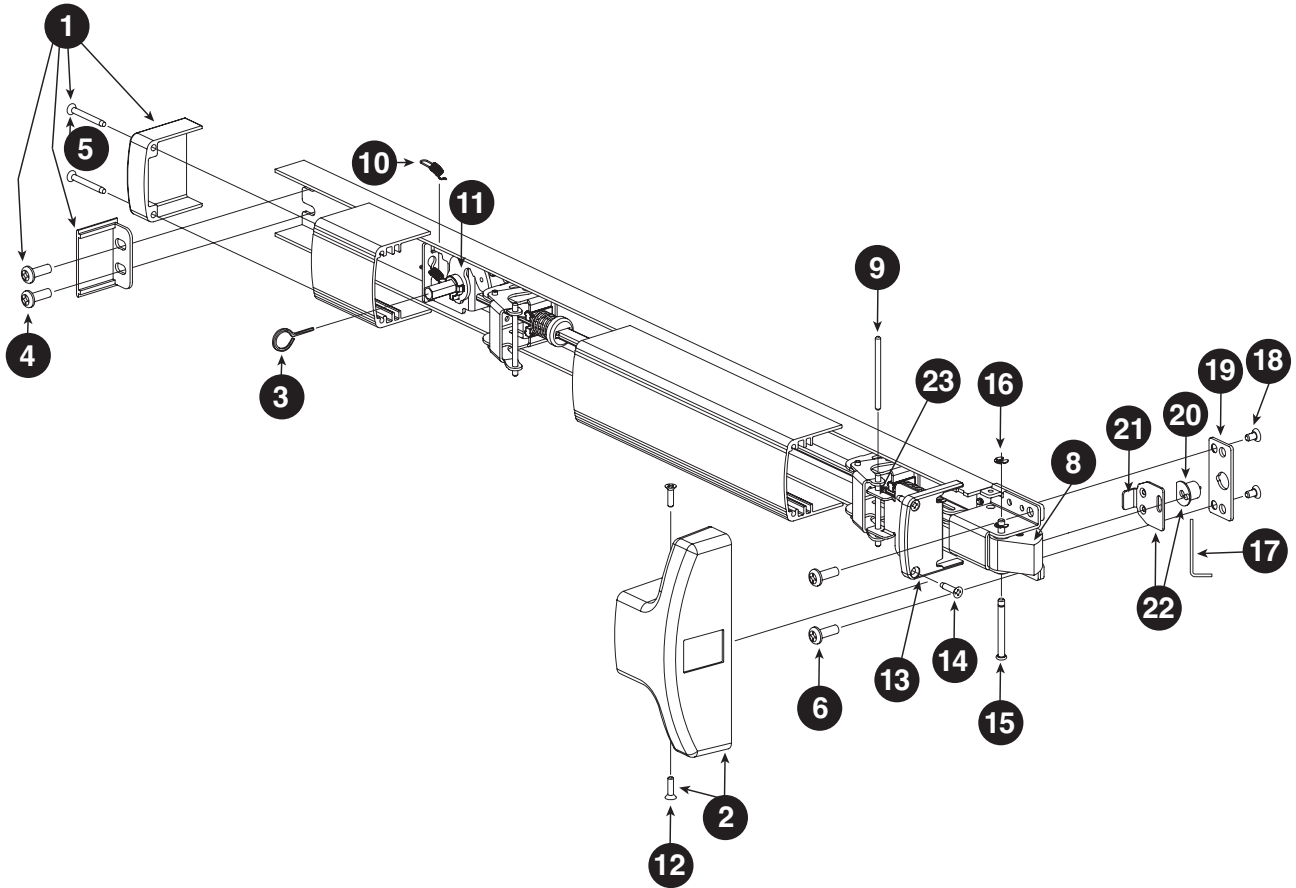
Model No.	Description	Non-Finish
<b>179CA</b>	Cylinder Assembly Less Cylinder	33

**Strikes - Rim**

Model No.	Description	Non-Finish	Black	P35
<b>STK45</b>	Strike for inactive door, pair of doors with 1590/1790/2090 devices	–	–	96
<b>TD35</b>	Strike for single doors, 1590 and 1790 device	–	–	133
<b>SHIM.150</b>	TD35 Strike Shim	–	30	–
<b>SCREW.1016</b>	TD35 Screw 10-32 x 1" FPHMS (Pkg Qty 25)	–	28	–
<b>4270109590</b>	TD35 Wear Strip	16	–	–
<b>RIVET.101</b>	TD35 Drive Rivet (Pkg Qty 25)	38	–	–

Prices subject to change without notice

**EXITS**  
 Pushpads  
 Commercial / Medium Duty  
 1790 Series



Prices subject to change without notice

	Part No.	Description	Finish	Pkg. Qty	Price
1	ECAP.130	Channel/Hingeside End Cap Kit	-	each	32.00
2	COVER.120	Center Case Cover Kit	-	each	46.00
3	KEY.10020	Hex Dogging Key 5/32"	-	10	53.00
4	SCREW.1070	1/4-20 1/2" PPHMS Screw	-	10	16.00
5	SCREW.1072	#8 1.1/2" FPH TC Typ AB Screw (before September, 2004)	-	10	16.00
	SCREW.1143	8-18 1.1/4" FPH TF Typ 25	-	10	29.00
6	SCREW.1075	1/4-20 3/4" PPHMS Screw	-	10	17.00
	SCREW.1121	10-32 3/8" UFPH TF	US28	8	13.00
7	PKG.133	Auxiliary Package	-	each	13.00
8	LBOLT.105	Latch Assembly	-	each	72.00
	SWITCH.1006	RX Switch Wire Assembly (not shown) Valid for Field Install RX Option on Devices shipped after June, 2002	-	each	259.00
	050534-00	EL Potted Circuit Breaker (not shown)	-	each	357.00
	971687-00	EL Solenoid 24VDC (not shown)	-	each	290.00
	47361878	EL Plunger (not shown)	-	each	84.00
	110388-00	EL Cable Assembly (not shown)	-	each	53.00
9	PIN.128	Pushbar Pin	-	10	16.00
10	971493-76	Dogging Spring	-	each	12.00
11	KIT.1197	Dogging Kit	US28	each	38.00
12	SCREW.1025	8 x 5/8" FPHTC Typ 25 (before July, 2006)	-	10	27.00
13	ECAP.129	Lock Stile End Cap	DC35	each	19.00
14	SCREW.1077	8-3/4" FPHSMS (before September, 2004)	BLACK	10	29.00
	SCREW.1141	8-18 .3/4" FPH TF Typ 25	-	10	22.00
15	969467-89	Latch Pin	-	each	13.00
16	RRING.105	Latch Pin Retaining Clip	-	10	16.00
17	4270109548	Short Arm Allen Wrench	-	each	12.00
18	SCREW.1150	10-32 3/8" UFPH MS	-	10	28.00
19	SPACER.107	1790 Channel Spacer	-	each	22.00
20	CAMASY.101	Drive Bushing	-	each	56.00
21	SLIDER.101	Slider	-	each	12.00
22	179CA	1790 NL/HB Cylinder Assembly	-	each	33.00
23	BRKT.128	Pushbar Anchor Bracket	-	each	12.00

**1790 Pushbars on page 275**

EXITS

Pushpads

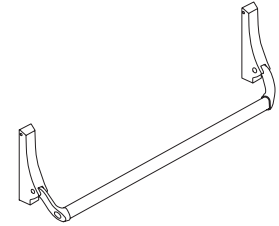
Commercial /  
Medium Duty

1790 Series

Prices subject to change without notice

## 1990 Series

Devices are priced for 3'8" x 7',  
 Aluminum or Hollow Metal Doors.  
 Hex Bottom Latch furnished standard.  
 (Price includes PB48 Strike)



Model No.	P28	P13, P35	US26D	
1990EO	574	589	1442	—
1991DT	770	785	1884	9970 Pull
1992NL-OP/HB-OP	680	695	1548	Rim Cylinder only
1993NL/HB	876	891	1990	9970 w/Rim Cylinder

**REFERENCE NOTES:**

Rim cylinder supplied standard with NL and HB options is C keyway.

### Optional Latches

Suffix		List Add
RL	Rod Bottom Latch	33.00
PL	Pullman Bottom Latch	33.00
ES	Top Latch for use with Electric Strikes Device Furnished LBR (Less Bottom Rod and Less Strike) <b>deduct \$27.00 List</b>	37.00

### Door Heights over 7'

	List Add
Up to 8'	75.00
Up to 9'	95.00
Up to 10'	110.00

### Crossbar

	List Add
Crossbar furnished 41" standard - Easily Cut for Job Fitting	
Extra Length Crossbar - 48" (Fits Door Width up to 51") - P28, P13, P35 finishes	23.00
Extra Length Crossbar - 48" (Fits Door Width up to 51") - Architectural finishes Less Crossbar, <b>deduct \$119 List</b>	33.00

**REFERENCE NOTES:**

Specify if Door Material other than Aluminum.  
 Not recommended for use on wood doors.

EXITS

Crossbars

Narrow Stile

1990 Series

Prices subject to change without notice

**Offset Pull**

Model No.		Non-Finish	DC13, DC35, US28	US26, US26D
<b>9970 Pull</b>		–	196	442
<b>STUD.102</b>	9970 Mounting Stud (Pkg Qty 10)	35	–	–

**Replacement Cylinders**

Model No.	Description	US26D, US10B
<b>3216</b>	Rim Cylinder C Keyway	106

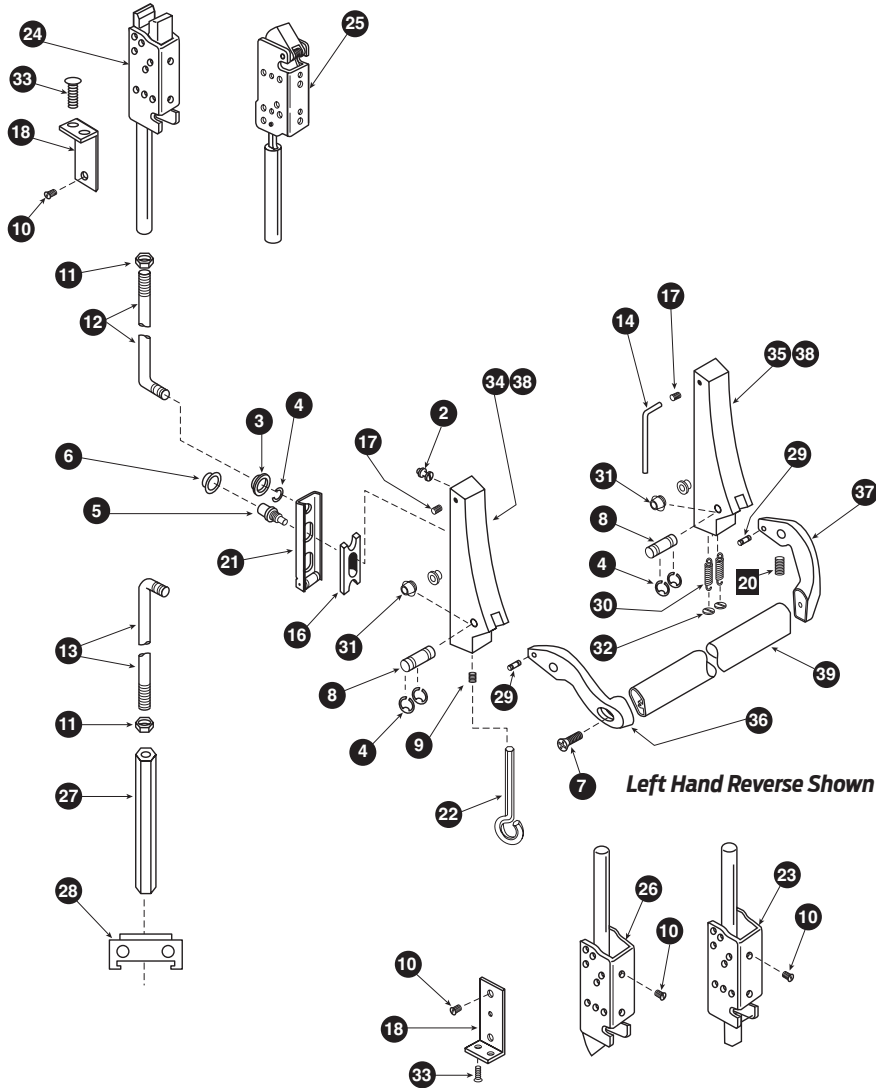
**Strikes - Concealed Vertical Rod**

Model No.	Description	Non-Finish	P13, P35, US32D
<b>PB48</b>	Top strike for 1990/1490/1690/2390 devices.	–	29
<b>SHIM.112</b>	PB48 Strike Shim (Pkg Qty: 10)	30	–

Prices subject to change without notice

# 1990 Exploded View And Parts List

(For Devices Furnished After 5/1/77)



EXITS

Crossbars

Narrow Stile

1990 Series

Part No.	Description	Finish	Pkg. Qty	Price
2	STUD.101 Case Mounting Stud	-	10	34.00
3	BUSH.109 Bearing Bushing	-	10	30.00
4	RRING.109 Retaining Ring .250	-	25	27.00
5	CAM.102 Pinion Cam	-	10	162.00
4270903177	Pinion Cam	-	each	27.00
6	BUSH.102 Cylinder Bushing	-	10	30.00
7	SCREW.1027 1/4-20 1" FPHTC Typ 23	US32D	10	45.00
	SCREW.1015 1/4-20 1" FPHTC Typ 23	BLACK	10	45.00
	PIN.115 1990 Axle Pin	-	10	151.00
9	SCREW.1022 Dog Screw	-	25	133.00
10	SCREW.1028 10-32 1/4" UFPHMS	US32D	10	29.00
	SCREW.1029 10-32 1/4" UFPHMS	BLACK	10	29.00
4270107322	1490 LHR/1590 RHR Push Label	GOLD	each	34.00

Prices subject to change without notice

# 1990 Series

(For Devices Furnished After 5/1/77)

	Part No.	Description	Finish	Pkg. Qty	Price
11	NUT.101	Rod Jam Nut	-	10	29.00
12	4270100017	SU/PL/ES/RL Rod	-	each	40.00
	4270102427	SU/PL/ES/RL Rod-1/4" Insulclad 7'	-	each	40.00
	4270102426	SU/PL/ES/RL Rod-1/4" Insulclad 8'	-	each	130.00
13	4270101825	Hex Bottom Rod	-	each	40.00
14	WRENCH.101	Allen Wrench	-	10	19.00
16	RETRACT.101	Rod Retractor	-	10	68.00
17	SCREW.1030	1/4-20 3/8" Hex Soc Set	US32D	25	37.00
	SCREW.1039	1/4-20 3/8" Hex Soc Set	BLACK	25	37.00
18	BRKTASY.101	Latch Mtg Bracket Kit-HMD	-	each	56.00
21	4270100013	Lift Bracket Assembly	-	each	30.00
22	KEY.101	Hex Dogging Key	-	10	45.00
23	● 4270100521	RL Bottom Latch	-	each	112.00
24	● 4270101806	SU Top Latch	-	each	133.00
25	● 4270100346	ES Top Latch	-	each	154.00
26	● 4270101482	PL Bottom Latch	-	each	112.00
27	4270101830	Hex Bottom Bolt	-	each	48.00
28	4270107176	Hex Rod Guide Assembly	US32D	each	46.00
	4270107178	Hex Rod Guide Assembly	P35	each	46.00
	SCREW.1076	Hex Rod Guide Screws	US28	10	12.00
	SCREW.1081	Hex Rod Guide Screws	DC13/DC35	10	12.00
	PIN.110	ES Latch Pin	-	10	28.00
	RETAIN.101	Case Retainer	-	10	30.00
	PIN.109	SU/ES/PL/HH Latch Spirol Pin	-	10	22.00
	4270100312	Crossbar Tie Rod	-	each	84.00
	RRING.103	End Case Retaining Ring	-	25	16.00
29	PIN.104	Spring Pin	-	10	29.00
30	SPRING.103	Tension Spring	-	10	37.00
31	BUSH.103	Axle Bushing	-	25	37.00
32	RETAIN.102	Spring Retainer	-	25	27.00
33	SCREW.1037	10-32 3/8" FPHMS	-	25	27.00
	● 4270106632	SU Top Rod Assembly 7' Dr	-	each	177.00
	● 4270106633	SU Top Rod Assembly 8' Dr	-	each	265.00
	● 4270101818	SU Top Rod Assembly 9' Dr	-	each	288.00
	● 4270101819	SU Top Rod Assembly 10' Dr	-	each	314.00
	● 4270101873	ES Top Rod Assembly 7' Dr	-	each	223.00
	4270101874	ES Top Rod Assembly 8' Dr	-	each	337.00
	● 4270100522	RL Bottom Rod Assembly	-	each	177.00
	4270101831	Hex Bottom Rod Assembly	-	each	92.00
	● 4270100266	PL Bottom Rod Assembly	-	each	181.00
	4270100018	SU Rod 8' Door	-	each	130.00
	4270100172	SU Ext Rod Kit Up to 9' Dr	-	each	114.00
	4270100197	SU Ext Rod Kit Up to 10' Dr	-	each	134.00

EXITS

Crossbars

Narrow Stile

1990 Series

Prices subject to change without notice

# 1990 Series

(For Devices Furnished After 5/1/77)

## 34 End Case Assy LH

Part No.	Finish	List Price
<b>LH = Lock Stile assembly for LHR Device or Hinge Stile assembly for RHR Device</b>		
4270902776	P28	239.00
4270902778	P13	264.00
4270902779	P35	264.00
CASE.223	US26D	771.00

## 36 Lever Arm LH

Part No.	Finish	List Price
<b>LH = Lock Stile Lever Arm for LHR Device or Hinge Stile Lever Arm for RHR Device</b>		
4270902799	P28	74.00
4270902802	P13	83.00
4270902803	P35	83.00
LARM.180	US26D	278.00

## 38 Housing Assembly

Part No.	Finish	List Price
(Includes housing, retainer spring, retainer, dog screw and mounting screws)		
4270902787	P28	169.00
4270902789	P13	169.00
4270902790	P35	169.00
HOUSING.231	US26D	481.00

## 35 End Case Assy RH

Part No.	Finish	List Price
<b>RH = Lock Stile assembly for RHR Device or Hinge Stile assembly for LHR Device</b>		
4270902782	P28	239.00
4270902784	P13	264.00
4270902785	P35	264.00
CASE.222	US26D	771.00

## 37 Lever Arm RH

Part No.	Finish	List Price
<b>RH = Lock Stile Lever Arm for RHR Device or Hinge Stile Lever Arm for LHR Device</b>		
4270902805	P28	74.00
4270902808	P13	83.00
4270902809	P35	83.00
LARM.188	US26D	278.00

## 39 Crossbar 41"

Part No.	Finish	List Price
47285197	689	169.00
47285197	DC13	183.00
47285197	622	183.00

## Crossbar 48"

Part No.	Finish	List Price
47286482	689	192.00
47286482	DC13	209.00
47286482	622	209.00

### REFERENCE NOTE:

1990/2090 Lever Arms & Housing Assemblies in US finishes are not compatible with 990/1090 components. Replace with appropriate end case assembly or active housing assembly.

Prices subject to change without notice

EXITS

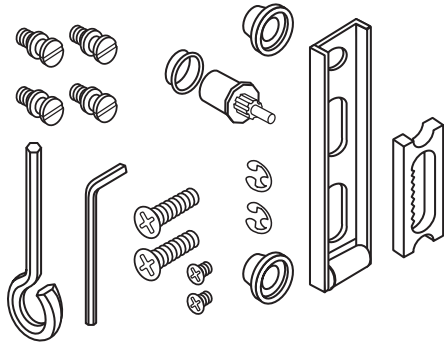
Crossbars

Narrow Stile

1990 Series

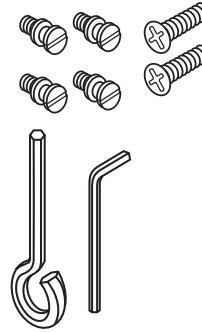


## 990 and 1990 Auxiliary Pkg.



Part Number	Finish	List Price
4270902091	US32D	56.00
4270902095	DC35	56.00

## 1090 and 2090 Auxiliary Pkg.



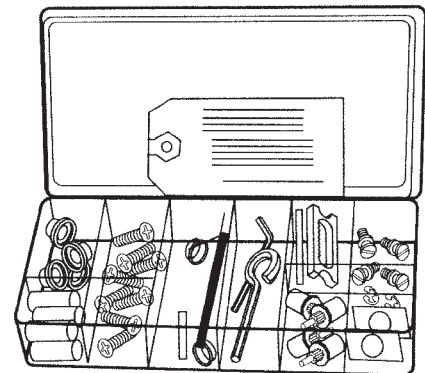
Part Number	Finish	List Price
4270902121	US32D	19.00
4270902125	DC35	19.00

## Panic Device Repair Kit

Part Number	Description	List Price
4270100583	Complete Repair Kit	401.00
4270100582	Maintenance Kit Box only	32.00

### Kit Includes:

	Part Number	Description	Replacement Pkg.	
12	RING.108	Retaining Rings	RRING.109	(pkg/25)
6	4270100130	1/4-20 x 3/8 Set Screws	SCREW.1030	(pkg/25)
6	BUSH.108	Bearing Bushing	BUSH.109	(pkg/10)
8	4270101753	Tension Springs	SPRING.103	(pkg/10)
2	4270100153	Dogging Screws	SCREW.1022	(pkg/25)
10	963128-00	10-32 x 1/4 UFPH MS	SCREW.1028	(pkg/10)
6	4299100213	1/4-20 x 1" FPH MS	SCREW.1027	(pkg/10)
3	4270100152	Spring Pins	PIN.104	(pkg/10)
1	4270100116	Dogging Key	KEY.101	(pkg/10)
1	963100-00	1/8" Allen Wrench	WRENCH.101	(pkg/10)
3	4270100110	Retractor	RETRACT.101	(pkg/10)
4	4270903177	Pinion Cams	CAM.102	(pkg/10)
8	4230100017	Center Case Mounting Studs	STUD.101	(pkg/10)
6	4270101778	Axle Bushings	BUSH.103	(pkg/25)
3	4270108353	PB48 Strike US32D		each
4	4270100663	Cylinder Bushings	BUSH.102	(pkg/10)
1	4270100013	Lift Bracket Assy		each
4	4270106997	Axle Pins	PIN.115	(pkg/10)
2	4270100026	3/16 x 13/16 Roll Pins	PIN.109	(pkg/10)
2	4270100075	3/16 x 9/16 Roll Pins	PIN.110	(pkg/10)
1	4270100299	Dogging Key Tag		each
12	4299100997	Retaining Rings	RRING.103	(pkg/25)
1	4270100582	Maintenance Kit Box		each
8	4270101782	1990 Spring Retainer	RETAIN.102	(pkg/25)
3	4270106349	SU Latchbolt		each



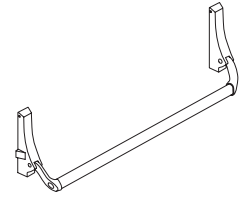
**Parts Kit For Easy Servicing  
of 1990 Devices**

Prices subject to change without notice

## 2090 Series

**Devices are priced for 3'8",  
Aluminum or Hollow Metal Doors.**

(Price includes SD36 Strike)



Model No.	P28	P13, P35	US26D	Standard Trim
2090EO	473	491	1336	–
2091DT	669	687	1778	9970 Pull
2092NL-OP/HB-OP	579	597	1442	Rim Cylinder only
2093NL/HB	775	793	1884	9970 w/Rim Cylinder

### REFERENCE NOTES:

Rim cylinder supplied standard with NL and HB options is C keyway.

### Crossbar

	List Add
Crossbar furnished 41" standard - Easily Cut for Job Fitting	
Extra Length Crossbar - 48" (Fits Door Width up to 51") - P28, P13, P35 finishes	23.00
Extra Length Crossbar - 48" (Fits Door Width up to 51") - Architectural finishes Less Crossbar, <b>deduct \$136 List</b>	33.00

### REFERENCE NOTES:

Specify if Door Material other than Aluminum.  
Specify Handing RHR or LHR. Not Reversible.

Prices subject to change without notice

**Offset Pull**

Model No.		Non-Finish	US28, DC13, DC35	US26, US26D
<b>9970 Pull</b>		-	196	442
<b>STUD.102</b>	9970 Mounting Stud (Pkg Qty 10)	35	-	-

**Replacement Cylinders**

Model No.	Description	US26D, US10B
<b>3216</b>	Rim Cylinder C Keyway	106

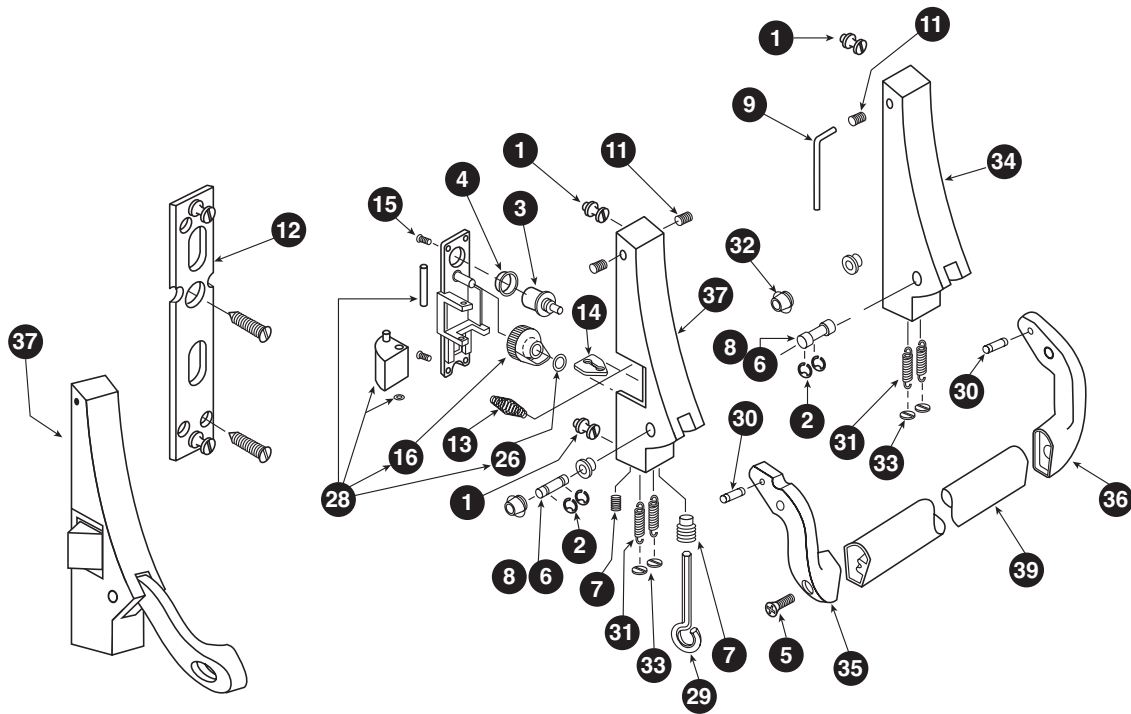
**Strikes - Rim**

Model No.	Description	P13, P28	P35
<b>STK45</b>	Strike for inactive door, pair of doors with 1590/1790/2090 devices	-	96
<b>SD36</b>	Strike for all stops, 2090 device.	85	85
<b>TD35</b>	Strike for single doors, 1590 or 1790 device.	-	133

Prices subject to change without notice

# 2090 Series Exploded View And Parts List

(For Devices Furnished After 5/1/77)



*Left Hand Reverse Shown*

EXITS

Crossbars

Narrow Stile

2090 Series

Prices subject to change without notice

(For Devices Furnished After 5/1/77)

	<b>Part No.</b>	<b>Description</b>	<b>Finish</b>	<b>Pkg. Qty</b>	<b>Price</b>
1	STUD.101	Case Mounting Stud	-	10	34.00
2	RRING.103	Retaining Ring .250	-	10	16.00
3	CAM.102	Pinion Cam	-	10	162.00
	4270903177	Pinion Cam	-	each	27.00
4	BUSH.102	Cylinder Bushing	-	10	30.00
5	SCREW.1027	1/4-20 1" FPHTC TYP23	US32D	10	45.00
	SCREW.1015	1/4-20 1" FPHTC TYP23	BLACK	10	45.00
	PIN.115	2090 Axle Pin	US32D	10	151.00
	PIN.116	Latch Pivot Pin	-	10	16.00
7	SCREW.1022	Dog Screw	-	25	133.00
9	WRENCH.101	Allen Wrench	-	10	19.00
11	SCREW.1030	1/4-20 3/8" Hex Soc Set Screw	US32D	25	37.00
	SCREW.1039	1/4-20 3/8" Hex Soc Set Screw	BLACK	25	37.00
12	4270100304	Adapter Plate Assembly	-	2	34.00
13	SPRING.104	Latch Spring	-	10	19.00
14	4270101840	Latch Link	-	each	17.00
15	SCREW.1031	4-40 3/8" FL Posi-Drive Screw	-	10	17.00
16	RETRACT.102	Latchbolt Retractor	-	10	190.00
26	RRING.102	Retaining Ring .240	-	10	16.00
28	4270902968	2090 Backplate Assembly LHR	-	each	78.00
	4270902974	2090 Backplate Assembly RHR	-	each	78.00
29	KEY.101	Hex Dogging Key	-	10	45.00
	4270100312	Crossbar Tie Rod	-	each	84.00
30	PIN.104	Spring Pin	-	10	29.00
	SPRING.103	Tension Spring	-	10	37.00
32	BUSH.103	Axle Bushing	-	25	37.00
33	RETAIN.102	Spring Retainer	-	25	27.00

EXITS

Crossbars

Narrow Style

2090 Series

Prices subject to change without notice

# 2090 Series

(For Devices Furnished After 5/1/77)

## 34 End Case Assy LH

Part No.	Finish	List Price
<b>LH = Hinge Stile assembly for RHR Device</b>		
4270902776	P28	239.00
4270902778	P13	264.00
4270902779	P35	264.00
CASE.223	US26D	771.00

## 35 Lever Arm LH - Active

Part No.	Finish	List Price
<b>LH = Lock Stile Lever Arm for LHR Device</b>		
4270902763	P28	74.00
4270902766	P13	83.00
4270902767	P35	83.00
LARM.216	US26D	278.00

## 36 Lever Arm LH - End Case

Part No.	Finish	List Price
<b>LH = Hinge Stile assembly for RHR Device</b>		
4270902799	P28	74.00
4270902802	P13	83.00
4270902803	P35	83.00
LARM.180	US26D	278.00

## 35 End Case Assy RH

Part No.	Finish	List Price
<b>RH = Hinge Stile assembly for LHR Device</b>		
4270902782	P28	239.00
4270902784	P13	264.00
4270902785	P35	264.00
CASE.222	US26D	771.00

## 35 Lever Arm RH - Active

Part No.	Finish	List Price
<b>RH = Lock Stile Lever Arm for RHR Device</b>		
4270902769	P28	74.00
4270902772	P13	83.00
4270902773	P35	83.00
LARM.205	US26D	278.00

## 36 Lever Arm RH - End Case

Part No.	Finish	List Price
<b>RH = Hinge Stile assembly for LHR Device</b>		
4270902805	P28	74.00
4270902808	P13	83.00
4270902809	P35	83.00
LARM.188	US26D	278.00

### REFERENCE NOTE:

1990/2090 Lever Arms & Housing Assemblies in US finishes are not compatible with 990/1090 components. Replace with appropriate end case assembly or active housing assembly.

Prices subject to change without notice

(For Devices Furnished After 5/1/77)

## 37 Active Housing Assembly LH

Part No.	Finish	List Price
<b>LH = Lock Stile assembly for LHR Device</b>		
4270902740	P28	304.00
4270902742	P13	325.00
4270902743	P35	325.00
CASE.243	US26D	882.00

## 39 Crossbar 41"

Part No.	Finish	List Price
47285197	689	169.00
4270900094	DC13	183.00
47285197	622	183.00

## 37 Active Housing Assembly RH

Part No.	Finish	List Price
<b>RH = Lock Stile assembly for RHR Device</b>		
4270902746	P28	304.00
4270902748	P13	325.00
4270902749	P35	325.00
CASE.229	US26D	882.00

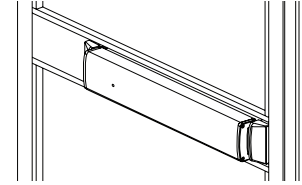
## Crossbar 48"

Part No.	Finish	List Price
47286482	689	192.00
CBAR.116	DC13	209.00
47286482	622	209.00

Prices subject to change without notice

# 2390 Series Concealed Vertical Rod Mid-Panel Exit Devices

Devices are priced for 42", 48" x 7',  
Aluminum Doors.  
Hex Bottom Latch furnished standard.  
(Price includes PB48 Strike)



Model No.	Device Size	Fits Door Opening	US28	DC13, DC35,	Standard Trim
2390EO	21"	up to 42"	950	977	-
2390EO	24"	up to 48"	1010	1037	-
2392NL/HB-OP	21"	up to 42"	1173	1200	Mortise Cylinder Assy with Cylinder
2392NL/HB-OP	24"	up to 48"	1233	1260	Mortise Cylinder Assy with Cylinder
2395NL/HB-OP	21"	up to 42"	1067	1094	Mortise Cylinder Assy less Cylinder
2395NL/HB-OP	24"	up to 48"	1127	1154	Mortise Cylinder Assy less Cylinder
2398 Dummy	21"	up to 42"	520	557	-
2398 Dummy	24"	up to 48"	556	593	-

NOTE: Because muntin locations vary by door manufacturer, specify centerline of device when ordering (from bottom of door to centerline of muntin).

## Optional Cylinder Kit

Model No.	Description	List Add
239CA	NL/HB Kit Less Cylinder	117.00
231CA	NL/HB Kit Less Cylinder w/ Schlage Cam B502-191	119.00
3215	Mortise Cylinder C Keyway	106.00
2" Door Kit	For Cylinder Operation	43.00

## Optional Latches

Suffix	Description	List Add
RL	Rod Bottom Latch	33.00
PL	Pullman Bottom Latch	33.00
ES	Top Latch for use with Electric Strike	37.00

Device furnished LBR (Less Bottom Rod and Less Strike) deduct \$29.00 List

## Accessories

	Description	List Add	
■ Long Top Rod	For Door Height from 7' to 8'	30.00	
■ Top Rod with Extension	For Door Height from 8' to 9'	96.00	
■ Top Rod with Extension	For Door Height from 9' to 10'	110.00	
Extension Rod Kit	For Door Height 7' to 10' Field Installation - Part #EXTROD.1001	152.00	
Filler Plate	Up to 42" Door, 16 1/2" Filler Plate	US28	32.00
		DC13, DC35, Champagne	34.00
	Up to 48" Door, 19 1/2" Filler Plate	US28	33.00
		DC13, DC35, Champagne	35.00

### REFERENCE NOTES:

Rod Length requirement varies with device mounting height.

## Strikes - Concealed Vertical Rod

Model No.	Description	Non-Finish	P13, P35, US32D
PB48	Top strike for 1990/1490/1690/2390 devices.		29.00

## 2390 Device Options

		List Add
RX Switch	Base Exit Device unit modified Request to Exit Switch monitoring pushpad. Prefix device "RX".	245.00
Electric Latch Retraction	Base Exit Device unit modified with Electric Latch Retraction. Prefix device "EL". The EL option is not field replaceable on this model.	620.00

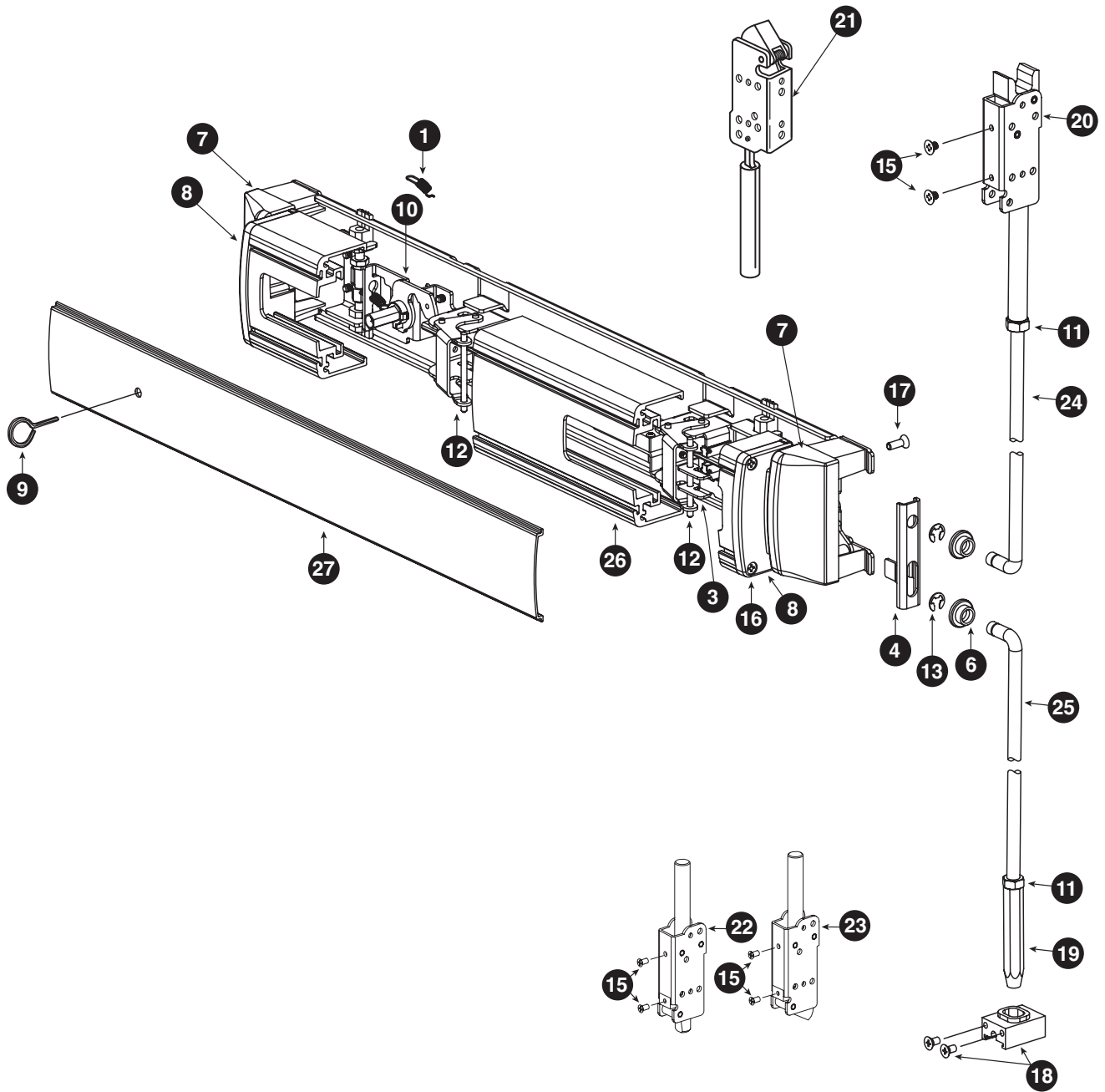
(One PS914 x 900-2RS is the minimum requirement to power one or two EL devices.  
See Power Supply Section for requirements and options.)

Prices subject to change without notice



Prices subject to change without notice

**EXITS**  
 Recessed  
 Concealed Vertical  
 Mid-Panel  
 2390 Series



Prices subject to change without notice

	Part No.	Description	Finish	Pkg Qty	List Price
1	971493-76	Dogging Spring	-	each	12.00
2	AXLE.1006	Lift Lever Axle	-	each	12.00
3	BRKT.137	Pushbar Anchor Bracket	-	each	19.00
4	BRKT.143	Lift Bracket	-	each	19.00
5	BRKTASY.107	Actuator Arm Bracket Assembly	-	each	19.00
6	BUSH.109	Bearing Bushing	-	10	30.00
7	COVER.127	Fixed Cover	-	each	40.00
8	ECAP.143	Moving Pushbar End Cap	-	each	17.00
9	KEY.10020	Hex Dogging Key 5/32"	-	10	53.00
10	KIT.1197	Dogging Kit	-	each	38.00
11	NUT.101	Rod Jam Nut	-	10	29.00
12	PIN.128	Pushbar Pin	-	10	16.00
	PKG.134	Mounting Package (parts 4,6,9,13,15 on page 294)	US32D	each	30.00
	PKG.135	Mounting Package (parts 4,6,9,13,15 on page 294)	DC35	each	30.00
13	RRING.109	Retaining Ring .250	-	25	27.00
15	SCREW.1028	10-32 1/4" UFPHMS	US32D	10	29.00
	SCREW.1029	10-32 1/4" UFPHMS	BLACK	10	29.00
16	★ SCREW.1077	#8 3/4" FPH TF AB Screw (before September, 2004)	-	10	29.00
	SCREW.1141	8-18 .3/4" FPH TF Typ 25	-	10	22.00
17	SCREW.1088	12-14 1/2" UFPH MS Typ 25 Screw	-	10	22.00
	SCREW.1121	10-32 3/8" UFPH TF	US28	8	13.00
	SCREW.1114	10-32 3/8" UFPH TF	DC13/DC35	8	13.00
	SCREW.1076	Hex Rod Guide Screws	US28	10	12.00
	SCREW.1081	Hex Rod Guide Screws	DC13/DC35	10	12.00
	EXTROD.1001	Extension Rod Kit (not shown)	-	each	152.00
18	4270107176	Hex Rod Guide Assembly	US32D	each	46.00
	4270107178	Hex Rod Guide Assembly	P35	each	46.00
19	BOLT.1004	Hex Bottom Bolt-Beveled	-	each	53.00
20	4270101806	SU Top Latch	-	each	133.00
21	4270100346	ES Top Latch	-	each	154.00
22	4270100521	RL Bottom Latch	-	each	112.00
23	4270101482	PL Bottom Latch	-	each	112.00
	PIN.110	ES Latch Pin	-	10	28.00
	PIN.109	SU/ES/PL/HH Latch Spirol Pin	-	10	22.00
	● SWITCH.1006	RX Switch Wire Assembly (not shown) Valid for Field Install RX Option on Devices shipped after June, 2002	-	each	259.00
	110388-00	EL Cable Assembly (not shown)	-	each	53.00
	050534-00	EL Potted Circuit Breaker (not shown)	-	each	357.00
	971687-00	EL Solenoid 24VDC (not shown)	-	each	290.00
	47361878	EL Plunger (not shown)	-	each	84.00
24	ROD.1043	Top Rod 34.000", CL=42.5, DH=83.1875"	-	each	40.00
	4270103324	Top Rod 35.500", CL=41.25, DH=83.1875"	-	each	40.00
	ROD.1082	Top Rod 39.000", CL=37.875, DH=83.1875"	-	each	40.00
	ROD.1036	Top Rod 36.500", CL=40, DH=83.1875"	-	each	40.00
25	ROD.1080	Bottom Rod 40.000", CL=42.500"	-	each	40.00
	ROD.1044	Bottom Rod 38.500", CL=41.250"	-	each	40.00
	4270100017	Bottom Rod 35.125", CL=37.875"	-	each	40.00
	ROD.1011	Bottom Rod 37.500", CL=40"	-	each	40.00
	KIT.1128	2390 LBR KIT	-	each	19.00

**REFERENCE NOTES:**

- RX Switch Kit valid for Field Install RX option on devices shipped after June, 2002
- ★ For Devices shipped before September, 2004.

Prices subject to change without notice

# 2390 Series (continued)

	Part No.	Description	Finish	List Price	
26	EXT.3000	Pushbar 21"	US28	181.00	
	EXT.3001	Pushbar 21"	DC13	195.00	
	EXT.3002	Pushbar 21"	DC35	195.00	
	EXT.3003	Pushbar 21"	Champagne	195.00	
	EXT.3004	Pushbar 24"	US28	211.00	
	EXT.3005	Pushbar 24"	DC13	232.00	
	EXT.3006	Pushbar 24"	DC35	232.00	
	EXT.3007	Pushbar 24"	Champagne	232.00	
	27	EXT.3008	Coverplate 21"	US28	72.00
		EXT.3009	Coverplate 21"	DC13	81.00
		EXT.3010	Coverplate 21"	DC35	81.00
		EXT.3011	Coverplate 21"	Champagne	81.00
		EXT.3012	Coverplate 24"	US28	78.00
		EXT.3013	Coverplate 24"	DC13	92.00
		EXT.3014	Coverplate 24"	DC35	92.00
		EXT.3015	Coverplate 24"	Champagne	92.00
		EXT.3050	EL Coverplate 21"	US28	72.00
		EXT.3051	EL Coverplate 21"	DC13	81.00
		EXT.3052	EL Coverplate 21"	DC35	81.00
		EXT.3053	EL Coverplate 21"	Champagne	81.00
		EXT.3054	EL Coverplate 24"	US28	78.00
		EXT.3055	EL Coverplate 24"	DC13	92.00
		EXT.3056	EL Coverplate 24"	DC35	92.00
		EXT.3057	EL Coverplate 24"	Champagne	92.00
		CHASY.147	Channel Assembly 36" Door (supplied for field sizing)	US28	118.00
		CHASY.160	Channel Assembly 36" Door (supplied for field sizing)	DC13	143.00
CHASY.107		Channel Assembly 36" Door (supplied for field sizing)	DC35	143.00	
CHASY.158		Channel Assembly 36" Door (supplied for field sizing)	Champagne	191.00	
CHASY.108	Channel Assembly 48" Door (supplied for field sizing)	US28	135.00		
CHASY.109	Channel Assembly 48" Door (supplied for field sizing)	DC13	193.00		
CHASY.125	Channel Assembly 48" Door (supplied for field sizing)	DC35	193.00		
CHASY.207	Channel Assembly 48" Door (supplied for field sizing)	Champagne	193.00		
EXT.2927	Filler Plate 16.50", 42" Door (supplied for field sizing)	US28	37.00		
EXT.2949	Filler Plate 16.50", 42" Door (supplied for field sizing)	DC13	40.00		
EXT.2950	Filler Plate 16.50", 42" Door (supplied for field sizing)	DC35	40.00		
EXT.2951	Filler Plate 16.50", 42" Door (supplied for field sizing)	Champagne	40.00		
EXT.440	Filler Plate 19.50", 48" Door (supplied for field sizing)	US28	38.00		
EXT.445	Filler Plate 19.50", 48" Door (supplied for field sizing)	DC13	40.00		
EXT.450	Filler Plate 19.50", 48" Door (supplied for field sizing)	DC35	40.00		
EXT.2244	Filler Plate 19.50", 48" Door (supplied for field sizing)	Champagne	40.00		
●	RODASY.10001	Top Rod Assy RHR AL=40.176", CL=42.500", DH=83.1875"		177.00	
●	RODASY.10002	Top Rod Assy RHR AL=41.426", CL=41.250", DH=83.1875"		177.00	
●	RODASY.10003	Top Rod Assy RHR AL=44.801", CL=37.875", DH=83.1875"		208.00	
●	RODASY.10004	Top Rod Assy RHR AL=42.676", CL=40", DH=83.1875"		177.00	
●	RODASY.10005	Top Rod Assy RHR AL=41.489", CL=41.250", DH=83.1875"		177.00	
●	RODASY.10006	Top Rod Assy LHR AL=40.176", CL=42.500", DH=83.1875"		177.00	
●	RODASY.10007	Top Rod Assy LHR AL=41.426", CL=41.250", DH=83.1875"		177.00	
●	RODASY.10008	Top Rod Assy LHR AL=44.801", CL=37.875", DH=83.1875"		208.00	
●	RODASY.10009	Top Rod Assy LHR AL=42.676", CL=40", DH=83.1875"		177.00	
●	RODASY.10010	Top Rod Assy LHR AL=41.489", CL=41.250", DH=83.1875"		177.00	
●	RODASY.10011	Bottom Rod Assy AL=41.877", CL=42.500"		92.00	
●	RODASY.10012	Bottom Rod Assy AL=40.627", CL=41.250"		92.00	
●	RODASY.10013	Bottom Rod Assy AL=37.252", CL=37.875"		92.00	
●	RODASY.10014	Bottom Rod Assy AL=39.377", CL=40"		92.00	

**REFERENCE NOTES:**

- Complete rod and latch assembly includes standard rod (4270100017) and (Nut.101).

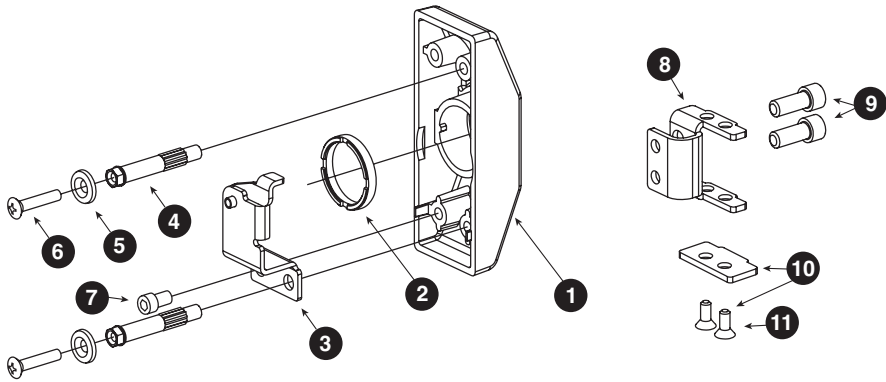
Prices subject to change without notice

EXITS

Recessed

Concealed Vertical Mid-Panel

2390 Series



Part No.	Description	Finish	Pkg Qty	List Price
1	HOUSING.123 2390 Cylinder Housing	P28	each	103.00
	HOUSING.124 2390 Cylinder Housing	P13	each	103.00
	HOUSING.125 2390 Cylinder Housing	P35	each	103.00
2	971974-00 Mortise Locking Collar	-	each	17.00
3	BRKTASY.118 2390 NL/HB Bracket Assembly	-	each	48.00
4	971585-89 Mounting Stud	-	each	16.00
5	WASHER.120 #10 Countersunk Washer	DC35	10	17.00
5	WASHER.121 #10 Countersunk Washer	US32D	10	17.00
6	SCREW.1083 10-24 x 1" OPHMS	US32D	10	19.00
7	SCREW.1082 1/4-20 x 3/8" SHCS	-	10	19.00
8	BRKT.152 2390 Rod Lift Bracket	-	each	29.00
9	SCREW.1084 1/4-28 x 3/4" SHCS	-	10	22.00
10	BRKTASY.155 Lift Bracket Kit - 2" Door	-	each	52.00
11	SCREW.1085 8-18 x 5/16" UFPHMS AB Screw	-	each	19.00

**Strike**

Part No.	Description	Finish	Pkg Qty	List Price
SHIM.112	PB48 Strike Shim	-	10	30.00
SCREW.1038	Screw 8-32 x 1/2" UFPHMS	BLACK	25	19.00
SCREW.1032	Screw 8-32 x 1/2" UFPHMS	US32D	25	19.00

Prices subject to change without notice

# Exit Accessories

## Mullions

Model No.	Description	Finish	List Price					
			7'2"	7'3"	8'2"	8'3"	9'2"	10'2"
4023	Steel Mullion (2" x 3") For use with 25/24/19/XX Rim Devices only	SP28	480	—	519	—	—	605
F4023	Steel Mullion (2" x 3") Fire Rated for use with 25/24/19/XX Fire Rated Rim Devices only	SP28	—	688	—	743	—	—
2923	Steel Mullion (1 1/2" x 2 1/2") For use with 25/24/19/XX Rim Devices only	Black Prime Coat	429	—	463	—	501	—
4423	T Shaped Steel Mullion for use with 24-R Device only (4396 Adjustable Strike Supplied)	Black Prime Coat	1193	—	1218	—	—	—
RM70	Aluminum Mullion for use with 2090 Rim Devices only (STK70 Adjustable Mortise Strike Supplied)	US28	873	—	939	—	1011	1081
		DC13/DC35	925	—	994	—	1060	1131
RM150	Aluminum Mullion for use with 1590 Rim Devices only (STK150 Adjustable Mortise Strike Supplied)	US28	888	—	961	—	1029	1100
		DC13/DC35	939	—	1012	—	1084	1158
RM170	Aluminum Mullion for use with 1790 Rim Devices only (STK170 Adjustable Mortise Strike Supplied)	US28	873	—	939	—	1011	1081
		DC13/DC35	925	—	994	—	1060	1131

### REFERENCE NOTES:

- 1) Mullions shipped complete with mounting brackets, screws, and stabilizers (for Aluminum Mullions). Strikes are not included, except where indicated. Order with exit devices when required.
- 2) Aluminum Mullions for use with doors with stiles as narrow as 1 1/4", reinforced with steel insertions.
- 3) Blank Mullions (without strike preparation) are available at the same price as standard Mullions. Consult factory for more information.
- 4) Mullions can be cut down in field if unique heights under 10'2" are required.
- 5) Steel Mullions 4023 and F4023 now ship with a new design. Part purchased prior to September 1, 2014 are not retrofittable.

## Mullion Options

Model No.	Description	Finish	List Adder
KR	KR-4023 Mullion Keyed Removable Mullion option for use with 25/24/19/XX Rim Devices only	SP28	437
	KR-F4023 Mullion Keyed Removable Fire rated Mullion option for use with 25/24/19/XX Fire Rated Rim Devices	SP28	652
HW	Hurricane Wind Only-rated mullions. Specify HW.		
	HW-4023	SP28	61
	HW-F4023	SP28	123
	HW-2923	Black Prime Coat	61

## Accessories

Model No.	Description	Finish	List Price
050168	Keyed Removable Kit for existing 4023 Mullion	SP28	591
050169	Keyed Removable Kit for existing F4023 Mullion	SP28	651

### REFERENCE NOTES:

- 1) Steel Mullions 4023 and F4023 now ship with a new design. Parts purchased prior to September 1, 2014 are not retrofittable.

## Parts

Model No.	Description	Finish	List Price
050335	Top Fitting for 4023 Mullion	SP28	81.00
050391	Top Fitting for F4023 Mullion	SP28	207.00
050390	Bottom Fitting for 4023 and KR-4023 Mullion	SP28	78.00
050392	Bottom Fitting for F4023 and KR-F4023 Mullion	SP28	207.00
971212	KR-4023 Mullion Adjustment Shim Plate	Non-finished	15.00
971313	KR-F4023 Mullion Adjustment Shim Plate	SP28	50.00
971340	KR-4023 Mullion Top Fitting	SP28	121.00
971312	KR-F4023 Mullion Top Fitting	SP28	140.00
971328	KR-4023/KR-F4023 Mullion Cylinder Locking Washer	Non-finished	21.00
050054	(KR)(F)4023 Mullion Stabilizers (set of 4, 2 attach to the mullion and 2 attach to the door)	SP28	110.00
050526	KR-4023/KR-F4023 Mullion Cylinder Lock Nut	Non-finished	17.00
900409	KR-4023 Mullion Mounting Package	SP28	84.00
900410	KR-F4023 Mullion Mounting Package	SP28	70.00
900411	KR-F4023 Bottom Fitting Screw Package	Non-finished	29.00
900413	KR-F4023 Top Fitting Screw Package	Non-finished	29.00
971187	KR Inner Mullion Back Cover Plate	SP28	29.00
060104	Top Fittings for 2923 Mullion	Non-finished	63.00
060105	Bottom Fittings for 2923 Mullion	Non-finished	63.00
060107	Top Fittings for 4423 Mullion	Non-finished	94.00
060108	Bottom Fittings for 4423	Non-finished	94.00
525	Aluminum Mullion Stabilizers (set of 2)	US28	52.00
		DC13/DC35	57.00
STK70	Adjustable Mortise Strikes (pair) for use with 2090 Device /RM70 Aluminum Mullion	US32D	129.00
STK150	Adjustable Mortise Strikes (pair) for use with 1590 Device /RM150 Aluminum Mullion	US32D	129.00
STK170	Adjustable Mortise Strikes (pair) for use with 1790 Device /RM170 Aluminum Mullion	US32D	129.00

### REFERENCE NOTES:

- 1) Steel Mullions 4023 and F4023 now ship with a new design. Parts listed above are not retrofittable to mullions purchased prior to September 1, 2014. Please consult factory for more information

Prices subject to change without notice

## Mullion

Part No.	Description	Finish	Pkg Qty	List Price
4270108954	RM170 Mullion Bracket Pkg	-	each	105
4270107489	RM150 Mullion Bracket Pkg	-	each	99
4270108999	Mullion Adapter Plate	P28	each	76
4270109000	Mullion Adapter Plate	P13	each	76
4270109001	Mullion Adapter Plate	P35	each	76

## Sex Bolts

Model No.	Description	Screw	BRS US10B US26D	US3, US4 US10, SP313 US32, US32D
<b>2729P</b>	Package of 1 - Includes Machine Screw	10-24 3/4" PPHMS	13	-
<b>2729F</b>	Package of 1 - Includes Machine Screw	10-24 3/4" FPHMS	13	-
<b>4122</b>	Package of 1 - Includes Machine Screw	1/2-20 3/4" PPHMS	13	-
<b>325</b>	Package of 2	1/4-20	-	32
<b>425</b>	Package of 2	10-24	-	32

## Delayed Egress System

Model No.	Description	List Price
<b>DE5300</b>	Logic Controller *15 Second Release Delay furnished standard	1146

### REFERENCE NOTES:

- 1) Designed to meet both life safety and security & NFPA 101 for "Special Locking Arrangement" and IBC "Special Egress-Control Devices"
- 2) Release delay over 15 seconds requires a letter of approval from Authority Having Local Jurisdiction. Letter must accompany sales order at time of submission. Order cannot be processed without the letter.
- 3) A complete delayed egress system requires several components that must be ordered separately:
  - a. 24 / 25 Device containing a RX switch option
  - b. Power Supply PS902 minimum recommendation (See Power Supply section for more information)
  - c. Electronic Power Transfer (EPT) or Power Transfer Hinge
  - d. Magnetic Locks – Recommended Schlage electronics M420, M450 or M490 (See Schlage Electronics Security Price Book for more information.)
  - e. 1-1/4" Mortise Cylinder with Straight Cam installed with a compression ring

## Shared Components

Shared components will receive the lower discount (ie components shared with Von Duprin will receive the Von Duprin discount instead of the Falcon discount).

Prices subject to change without notice

# Numerical Index - Exits

Part No.	Page
299.....	193, 225
525.....	294
603.....	188, 221
2130.....	197, 201, 233, 253
3518.....	186
3530.....	186
3542.....	186
3722.....	245
3777.....	188, 197
3788.....	197, 231, 253
4107.....	245, 249, 251
4108.....	245, 249, 251
4120.....	222
4121.....	222
4122.....	249, 251
4188.....	201, 233
4208.....	190, 223
4270.....	222, 246
4286.....	245, 253
4288.....	245, 253
4349.....	222, 246
4450.....	221, 231
4567.....	188, 201, 221, 233
4694.....	188, 201, 221, 233
4832.....	188, 203, 235
4833.....	188, 203, 221, 235
4834.....	188, 203, 221, 235
4835.....	188, 203, 221, 235
5494.....	188, 197, 201, 203, 221, 231, 233, 235, 245
8500.....	205
040069.....	187, 220
050054.....	294
050335.....	294
050390.....	294
050391.....	294
050392.....	294
050526.....	246, 294
050534.....	187, 220
060104.....	294
060105.....	294
060107.....	294
060108.....	294
060109.....	187, 190, 193, 195, 199, 200, 203, 205, 220, 223, 225, 227, 229, 232, 234, 245, 249, 251
060110.....	245, 249, 251
060111.....	187, 190, 197, 201, 203, 220, 223, 231, 233, 235, 253
060112.....	190, 223
060113.....	190, 223, 253
060114.....	190, 223, 253
060115.....	190, 223
060116.....	190, 223
060117.....	190, 223
060118.....	190, 223
060119.....	190, 223
060120.....	190, 223
060121.....	190, 223
060122.....	190, 223
060123.....	190, 223
060124.....	190, 223
060125.....	190, 223
060126.....	190, 223
060136.....	222
060137.....	222
060138.....	222
060138.....	246
090041.....	189
090978.....	220, 229
106182.....	187
106198.....	187, 220
114320.....	187, 220
600161.....	246
600166.....	246
600173.....	190, 223
600208.....	189
600272.....	189

Part No.	Page
600273.....	189
600274.....	189
600275.....	189
600276.....	189
600277.....	189, 190, 223
600278.....	189, 190, 223
600279.....	189, 190, 223
600280.....	189
600281.....	189
600282.....	189
600283.....	189, 190, 222, 223, 246
600284.....	189
600285.....	189
600286.....	189
600287.....	189
600288.....	189, 222
600289.....	189
600290.....	189
600293.....	189
600294.....	189
600295.....	189
600296.....	189
600297.....	189
600298.....	189, 222
600299.....	189, 222
600300.....	189, 222
600301.....	189, 222
600305.....	187, 190, 193, 195, 199, 205, 220, 223, 225, 227, 229
600307.....	187, 190, 195, 199, 205, 220, 223, 227, 229
600307.....	193, 225
600308.....	187, 190, 195, 199, 205, 223
600309.....	187, 190, 195, 199, 223
600310.....	187, 193, 195, 199, 205, 220, 225, 227, 229
600315.....	246
600319.....	187, 190, 193, 195, 199, 205, 220, 223, 225, 227, 229
600320.....	187, 220
600321.....	187, 220
600335.....	186
600336.....	186
600337.....	189, 222
600339.....	222, 246
600346.....	246
610045.....	245, 253
610055.....	188, 197
610056.....	221, 231
610057.....	188, 201, 203, 221, 233, 235
610061.....	188, 201, 203, 221, 233, 235
610480.....	187, 220, 245, 249, 251
640001.....	190, 223
640002.....	190, 223
650006.....	197, 231, 244, 253
650007.....	197, 231, 244, 253
650008.....	197, 231, 244, 253
650017.....	201, 203, 233, 235
650018.....	201, 203, 233, 235
650019.....	201, 203, 233, 235
650106.....	186
650107.....	186
650108.....	186
650116.....	220
650117.....	220
650119.....	187
650120.....	187
650121.....	220, 225, 227, 229
650122.....	220, 225, 227, 229
650131.....	220
650132.....	220
650135.....	187
650136.....	187
650139.....	220
650140.....	220
650143.....	187
650144.....	187
650147.....	185
650148.....	185

Part No.	Page
650151.....	222
650152.....	222
650153.....	222
650154.....	222
650157.....	222
650158.....	222
650161.....	222
650162.....	222
650165.....	222
650166.....	222
650167.....	185
650168.....	185
650169.....	222
650170.....	222
650173.....	222
650174.....	222
650177.....	222
650178.....	222
650181.....	222
650182.....	222
650185.....	222
650186.....	222
650187.....	220, 225, 227, 229
650188.....	220, 225, 227, 229
650189.....	222
650190.....	222
650191.....	187, 193, 195, 199, 205
650192.....	187, 193, 195, 199, 205
650201.....	220, 227, 231
650202.....	188, 197, 221, 231
650227.....	187, 193, 195, 199, 205
650228.....	187, 193, 195, 199, 205
650231.....	189, 190, 223
650232.....	189
650234.....	220
650234.....	225
650235.....	189
650236.....	220, 227
650237.....	189
650238.....	220, 229
650239.....	187, 193
650240.....	187, 193
650242.....	187, 195
650244.....	187, 199
650246.....	187, 205
650247.....	220, 225
650249.....	220, 225
650251.....	220, 227
650253.....	220, 229
650255.....	187, 193
650257.....	187, 195
650259.....	187, 199, 205
650261.....	187, 195, 199, 205
650262.....	187, 195
650263.....	187, 199
650265.....	187, 220
650266.....	186
650267.....	189, 190, 223
650277.....	190, 223
650278.....	189
650293.....	187, 193, 205
650294.....	187, 190, 193, 194, 199, 204, 220, 223, 225, 227, 229
650295.....	187, 195, 197
650296.....	187, 201, 203
650297.....	245, 249, 251
650298.....	220, 235
650299.....	187, 201, 203
650300.....	187, 201, 220, 233
650302.....	220, 225
650303.....	245, 249, 251
650304.....	220, 227, 231
650307.....	245, 249
650308.....	245, 251
650309.....	245, 251
650311.....	188, 190, 197, 221, 223, 231
650312.....	222
650313.....	222
650314.....	222, 246

Part No.	Page
650315.....	187, 195, 197
650316.....	187, 195, 197
650317.....	187, 200, 220, 232
650318.....	187, 201, 220, 233
650320.....	245, 249, 251
650324.....	220, 225
650325.....	220, 227, 231
650326.....	220, 234, 235
650327.....	220, 222, 233, 235
650328.....	245, 249
650329.....	245, 249
650330.....	245, 251
650331.....	245, 251
650334.....	245
650336.....	188, 197, 221, 231
650337.....	245, 253
650338.....	245
650339.....	188, 201, 203, 221, 233, 235
650343.....	245, 249, 251
650345.....	187, 193, 205
650346.....	187, 201, 220, 233
650348.....	187, 193, 194, 199, 205, 220, 225, 227, 229
650351.....	221, 233, 235
650355.....	246
650356.....	246
650358.....	246
650359.....	185, 187, 220
650360.....	245, 249, 251
650361.....	245, 249, 251
650366.....	222
650371.....	246
650374.....	245, 249
650375.....	188, 197, 221, 231, 245
650376.....	188, 201, 203
650377.....	187, 205
650378.....	187, 205
650384.....	245, 249
650385.....	245, 251
650386.....	245, 253
650387.....	188, 197, 221, 231, 245, 253
650388.....	245, 253
650389.....	188, 197, 221, 231, 245, 253
650390.....	245, 251
650391.....	245, 251
650392.....	245, 251
650393.....	245, 251
650398.....	187, 205
650706.....	185
650707.....	185
650712.....	187, 220
650713.....	187, 220
650714.....	187, 220
650715.....	187, 220
650716.....	220
650717.....	220
660002.....	188, 197, 221, 231, 245, 253
660136.....	245
661408.....	220, 225, 227, 229
661409.....	220, 225, 227, 229
661412.....	187, 193, 195, 199, 205
661413.....	187, 193, 195, 199, 205
661472.....	186
661473.....	186
661560.....	222
661565.....	246
661567.....	222, 246
900409.....	294
900410.....	294
900411.....	294
900413.....	294
970321.....	190, 223
971187.....	294
971212.....	294
971312.....	294
971313.....	294
971328.....	294
971340.....	294
3894-000.....	190, 223

Prices subject to change without notice



# Exits - Numerical Index

<b>Part No.</b>	<b>Page</b>
050534-00	264, 271, 275, 291
110388-00	264, 271, 275, 291
47266630	185
47266631	185
47266852	187, 220
47269206	187, 220
47270296	220
47270297	220
47270298	187
47270299	187
47270546	185
47270547	185
47285197	280
47286482	280
47361878	264, 271, 275, 291
963100-00	281
963128-00	281
969467-89	275
971493-76	270, 275, 291
971585-89	293
971659-79	262
971660-79	262
971687-00	271, 275, 291
971974-00	293
4270902121	281
4230100017	281
4270100013	279, 281
4270100017	270, 279, 291
4270100018	270, 279
4270100026	281
4270100075	281
4270100110	281
4270100116	281
4270100130	281
4270100152	281
4270100153	281
4270100172	270, 279
4270100197	270, 279
4270100266	270, 279
4270100299	281
4270100304	285
4270100312	279, 285
4270100346	270, 279, 291
4270100521	265, 270, 279, 291
4270100522	270, 279
4270100582	281
4270100583	281
4270100663	281
4270101482	270, 279, 291
4270101753	281
4270101778	281
4270101782	281
4270101806	265, 270, 279, 291
4270101818	270, 279
4270101819	270, 279
4270101825	270, 279
4270101830	265, 279
4270101831	279
4270101840	285
4270101873	270, 279
4270101874	270, 279
4270102426	270, 279
4270102427	270, 279
4270103324	291
4270105926	265
4270106349	281
4270106632	270, 279
4270106633	270, 279
4270106745	262
4270106769	262
4270106770	259
4270106772	262
4270106773	262, 264
4270106775	265
4270106776	265
4270106782	265
4270106786	259
4270106787	259
4270106796	265

<b>Part No.</b>	<b>Page</b>
4270106863	259
4270106875	259
4270106888	262
4270106977	262
4270106997	281
4270107027	260
4270107028	260
4270107029	260
4270107031	260
4270107032	260
4270107033	260
4270107034	260
4270107035	260
4270107036	260
4270107038	260
4270107039	260
4270107040	260
4270107046	262
4270107047	262
4270107048	262
4270107060	262
4270107061	262
4270107089	262
4270107090	262
4270107091	260
4270107092	260
4270107093	260
4270107095	260
4270107096	260
4270107097	260
4270107176	270, 279, 291
4270107178	270, 279, 291
4270107186	264
4270107188	264
4270107189	264
4270107192	264
4270107193	264
4270107194	264
4270107213	266
4270107214	266
4270107215	266
4270107268	266
4270107270	266
4270107283	266
4270107285	266
4270107286	266
4270107320	259
4270107321	259
4270107322	259, 278
4270107323	259
4270107341	264
4270107342	264
4270107360	264
4270107361	264
4270107363	264
4270107422	262
4270107429	264
4270107430	264
4270107489	295
4270107495	265
4270107497	265
4270107520	262
4270107521	262
4270107587	260
4270107588	260
4270107589	260
4270107591	260
4270107592	260
4270107593	260
4270107603	262
4270107623	264
4270107685	260
4270107686	260
4270107687	260
4270107688	260
4270107689	260
4270107691	260
4270107703	260
4270107704	260

<b>Part No.</b>	<b>Page</b>
4270107705	260
4270107706	260
4270107707	260
4270107709	260
4270107712	260
4270107713	260
4270107714	260
4270107715	260
4270107716	260
4270107718	260
4270107787	266
4270107791	265
4270107833	266
4270108353	281
4270108426	265
4270108763	264
4270108954	295
4270108999	295
4270109000	295
4270109001	295
4270109003	265
4270109005	266
4270109006	266
4270109007	266
4270109009	266
4270109077	265
4270109078	265
4270109142	264
4270109190	266
4270109548	275
4270109630	266
4270900091	280, 287
4270900094	287
4270900095	280, 287
4270902091	281
4270902095	281
4270902125	281
4270902740	287
4270902742	287
4270902743	287
4270902746	287
4270902748	287
4270902749	287
4270902763	286
4270902766	286
4270902767	286
4270902769	286
4270902772	286
4270902773	286
4270902776	280, 286
4270902778	280, 286
4270902779	280, 286
4270902782	280, 286
4270902784	280, 286
4270902785	280, 286
4270902787	280
4270902789	280
4270902790	280
4270902799	280, 286
4270902802	280, 286
4270902803	280, 286
4270902805	280, 286
4270902808	280, 286
4270902809	280, 286
4270902968	285
4270902974	285
4270903177	269, 278, 281, 285
4299100213	281
4299100997	281
4299101020	262
169CA	271
179CA	275
603L	201, 233
603R	201, 233
325 SNB	190, 223
425 SNB	190, 223
299 Strike	190, 223
AXLE.1006	291
AXLE.1007	262

<b>Part No.</b>	<b>Page</b>
BASEASY.208	264
BASEASY.209	264
BASEASY.210	264
BASEASY.211	264
BASEASY.220	264
BASEASY.221	264
BOLT.1004	270, 291
BRKT.128	270, 275
BRKT.137	291
BRKT.138	269
BRKT.143	291
BRKT.152	293
BRKT.156	271
BRKT.478	269
BRKTASY.101	270, 279
BRKTASY.107	270, 291
BRKTASY.118	293
BRKTASY.155	293
BUMPER.103	259
BUSH.102	269, 278, 285
BUSH.103	279, 285
BUSH.107	265
BUSH.108	281
BUSH.109	269, 278, 291
CAM.102	269, 278, 285
CAMASY.101	275
CASE.222	280, 286
CASE.223	280, 286
CASE.229	287
CASE.243	287
CBAR.101	280, 287
CBAR.116	287
CBAR.135	280, 287
CHASY.107	292
CHASY.108	292
CHASY.109	292
CHASY.125	292
CHASY.147	292
CHASY.158	292
CHASY.160	292
CHASY.207	292
COVER.113	269
COVER.120	275
COVER.127	291
CTUBE.232	266
ECAP.103	260
ECAP.111	260
ECAP.129	270, 275
ECAP.130	269, 275
ECAP.143	291
EXT.255	260
EXT.256	260
EXT.257	260
EXT.258	260
EXT.259	260
EXT.261	260
EXT.440	292
EXT.445	292
EXT.450	292
EXT.2244	292
EXT.2927	292
EXT.2949	292
EXT.2950	292
EXT.2951	292
EXT.3000	292
EXT.3001	292
EXT.3002	292
EXT.3003	292
EXT.3004	292
EXT.3005	292
EXT.3006	292
EXT.3007	292
EXT.3008	292
EXT.3009	292
EXT.3010	292
EXT.3011	292
EXT.3012	292
EXT.3013	292
EXT.3014	292

Prices subject to change without notice



# Numerical Index - Exits

EXITS

Part No.	Page
EXT.3015.....	292
EXT.3050.....	292
EXT.3051.....	292
EXT.3052.....	292
EXT.3053.....	292
EXT.3054.....	292
EXT.3055.....	292
EXT.3056.....	292
EXT.3057.....	292
EXTROD.1001...	291
F570.....	249
F603.....	188, 201, 203, 221, 233
GUIDE.101.....	265
GUIDE.102.....	265
HOUSING.123...	293
HOUSING.124...	293
HOUSING.125...	293
HOUSING.231...	280
KEY.101.....	279, 285
KEY.10020.....	262, 269, 275, 291
KIT.1008.....	264
KIT.1009.....	264
KIT.1010.....	264
KIT.1011.....	264
KIT.1012.....	264
KIT.1013.....	264
KIT.1128.....	291
KIT.1156.....	271
KIT.1157.....	271
KIT.1197.....	270, 275, 291
LARM.180.....	286
LARM.180.....	280
LARM.188.....	286
LARM.188.....	280
LARM.205.....	286
LARM.216.....	286
LATCHR.102.....	264
LBOLT.105.....	275
LEVER.103.....	264
LEVER.104.....	264
LEVER.105.....	264

Part No.	Page
NUT.101.....	265, 270, 279, 291
NUT.103.....	264
PIN.104.....	279, 285
PIN.109.....	270, 279, 291
PIN.110.....	270, 279, 291
PIN.115.....	278, 285
PIN.116.....	285
PIN.128.....	270, 275, 291
PKG.102.....	260
PKG.104.....	260
PKG.105.....	260
PKG.133.....	275
PKG.134.....	291
PKG.135.....	291
PKG.150.....	269
PKG.151.....	269
RETAIN.101.....	279
RETAIN.102.....	279, 285
RETRACT.101.....	269, 279
RETRACT.102...	285
RING.108.....	281
ROD.1011.....	291
ROD.1036.....	291
ROD.1043.....	291
ROD.1044.....	291
ROD.1080.....	291
ROD.1082.....	291
RODASY.110.....	265
RODASY.112.....	265
RODASY.1075...	270
RODASY.10001..	292
RODASY.10002..	292
RODASY.10003..	292
RODASY.10004..	292
RODASY.10005..	292
RODASY.10006..	292
RODASY.10007..	292
RODASY.10008..	292
RODASY.10009..	292
RODASY.10010..	292
RODASY.10011..	292

Part No.	Page
RODASY.10012..	292
RODASY.10013..	292
RODASY.10014..	292
RRING.102.....	285
RRING.103.....	265, 279, 285
RRING.104.....	262, 264
RRING.105.....	262, 264, 275
RRING.109.....	269, 278, 291
SCREW.1012.....	259
SCREW.1015.....	278, 285
SCREW.1022....	278, 285
SCREW.1025....	270, 275
SCREW.1027....	278, 285
SCREW.1028....	259, 265, 269, 278, 291
SCREW.1029....	265, 269, 278, 291
SCREW.1030....	279, 285
SCREW.1031....	285
SCREW.1032....	293
SCREW.1037....	270, 279
SCREW.1038....	293
SCREW.1039....	279, 285
SCREW.1043....	262
SCREW.1050....	259
SCREW.1053....	259
SCREW.1055....	259
SCREW.1061....	264
SCREW.1063....	264
SCREW.1065....	264
SCREW.1066....	259
SCREW.1067....	270
SCREW.1068....	270
SCREW.1069....	269
SCREW.1070....	270, 275
SCREW.1072....	270
SCREW.1072....	275
SCREW.1074....	269
SCREW.1075....	275
SCREW.1076....	270, 279, 291
SCREW.1077....	270
SCREW.1077....	275, 291
SCREW.1081....	270, 279, 291

Part No.	Page
SCREW.1082....	293
SCREW.1083....	293
SCREW.1084....	293
SCREW.1085....	293
SCREW.1088....	291
SCREW.1099....	266
SCREW.1105....	266
SCREW.1114....	271, 291
SCREW.1121....	271, 275, 291
SCREW.1136....	262, 264
SCREW.1141....	270, 275, 291
SCREW.1143....	259, 270, 275
SCREW.1150....	275
SCREW.1282....	259
SHIM.112.....	293
SLIDER.101.....	275
SOLENOID.142..	264
SPACER.107....	275
SPRING.103....	279, 285
SPRING.104....	285
SPRING.105....	266
STK70.....	294
STK150.....	294
STK170.....	294
STUD.101.....	278, 285
SWITCH.1002....	264
SWITCH.1004....	264
SWITCH.1006....	271, 275, 291
WASHER.102....	262, 264
WASHER.103....	262, 264
WASHER.107....	262
WASHER.108....	266
WASHER.109....	266
WASHER.110....	266
WASHER.116....	265
WASHER.120....	293
WASHER.121....	293
WF603.....	188, 203, 221, 235
WRENCH.101....	279, 285

Prices subject to change without notice

General Closer Information.....	299	Concealed .....	306
Finishes.....	299	OHC100A Series.....	306
Common Applications .....	300	OHC100A Options and Parts .....	306
Surface Mount .....	301	Auto Operator .....	307
SC Series Options Overview .....	301	8200 Series.....	307
SC60/SC60A Series (Light-Medium Duty).....	302	8200 Options and Parts .....	307
SC60/SC60A Options and Parts.....	302	8300 Series Actuators & Accessories .....	308
SC70/SC70A Series (Heavy Duty) .....	303		
SC70/SC70A Options and Parts.....	303		
SC80/SC80A Series (Medium Duty).....	304		
SC80/SC80A Options and Parts.....	304		
SC90/SC90A Series (Light/Residential Duty) .....	305		
SC90/SC90A Options and Parts.....	305		

## General Closer Information

### Surface Mount SC Series

#### Certifications and Listings

1. SC60/SC60A, SC70/SC70A and SC80/SC80A Series Closers are certified to meet the requirements of ANSI Standard A156.4, Grade 1.
2. SC90/SC90A Series Closers are certified to meet the requirements of ANSI Standard A156.4, Grade 3.
3. SC60/SC60A, SC70/SC70A, SC80/SC80A, and SC90 Series Closers without hold-open arms are UL10C fire rated.
4. SC61/SC61A, SC71/SC71A, SC81/SC81A, and SC91 Series are designed to meet the American Disabilities Act (ADA) and ANSI A117.1.
5. SC93 (spring size 3) and SC94 (spring size 4) Series do not meet ADA force requirements.

#### Covers and Hardware:

1. SC80/SC80A Series Closers ship with a standard SLIM cover unless an optional FULL (FC) cover is added to the order line.
2. SC60/SC60A Series Closers ship as LESS cover unless an optional SLIM cover is added to the order line.
3. SC90/SC90A Series Closers ship LESS cover unless an option SLIM cover is added to order line.
4. All SC 60/70/80/90 Series Closers are furnished with a TBWMS fastener pack. ALL SC60A/70A/80A/93A/94A closer series are furnished with TBWMS and Self-Reaming and Tapping Screws.

#### Master Cartons

1. All SC60, SC80 and SC90 Series Closers are packed with six (6) identical closers per master carton. SC60A and SC80A RWPA are packed with six (6) identical closers per master carton. SC60A and SC80A HWP, DS, DSHO, HD, SS, and SSHO arms are packed 4 per master carton.

### Closer Finishes

Finish Code	BHMA	Finish Color Description
MTBK	622	Matte Black
AL	689	Silver Painted (Resembles Aluminum Finish)
DKB	695	Dark Bronze Painted (Spray Duranodic)
BR	696	Brass Painted

#### REFERENCE NOTES:

- 1) OHC100 and OHC101 cylinder and components only available in DKBRZ. VO style arm available in AL or DKBRZ finish.
- 2) 8200 Series Auto Operator only available in AL.
- 3) Matte Black finish will not transition to SC60A, SC70A, and SC80A until Q3 2017.

Prices subject to change without notice

2. SC70/SC70A Series Closers are packed with four (4) identical closers per master carton.

### Overhead Concealed OHC100A Series

#### Certifications and Listings

1. OHC100A and OHC101A Series Closers without hold-open option are listed to UL228.
2. OHC101A Series Closers are designed to meet the American Disabilities Act (ADA) and ANSI A117.1.
3. OHC100A Series Closers (spring size 3-5) do not meet ADA force requirements.

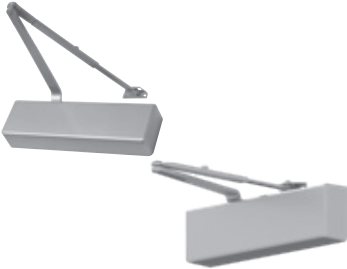




#### Device Options

1. OHC100A and OHC101A Series Closers are available with 90° or 105° of door swing cylinders.
2. OHC100A and OHC101A Series Closers utilize a 'Hold-Open' feature within the cylinder assembly.
3. 'A' Style arm is an End Load(EL) arm
4. 'S' Style arm is a Side load(SL) arm
5. 'VO' Style is used on doors hung with offset pivots or butt hinges.
6. OHC100A and OHC101A cylinders come standard with DKBRZ finish and components come with AL finish.

#### Competitive Retrofit

OHC100A Series are a retrofit for the following models; Norton 4900, Jackson 20-330, Global TC7000, International 100 or 200 and the Kawneer Husky II.

# Common Applications

	Series	Duty	Applications
	<b>SC70/SC70A Series</b>	Heavy	Commercial / Exterior Door Commercial / Interior Door Aluminum Store Front
	<b>SC80/SC80A Series</b>	Medium	Commercial / Exterior Door Commercial / Interior Door Aluminum Store Front
	<b>SC60/SC60A Series</b>	Light-Medium	Commercial / Exterior Door Commercial / Interior Door Aluminum Store Front
	<b>SC90/SC90A Series</b>	Light	Commercial / Interior Door Aluminum Store Front
	<b>OH100A Series</b>	Medium	Aluminum Store Front Retail

CLOSERS

Prices subject to change without notice

Falcon has several options to meet your unique application and/or installation needs. See the options section on each series page in the Falcon Closer price list for available options by series. Please contact **Falcon Closer Customer Care at (877) 671-7011** for additional information. As always, we appreciate your business!

### Cylinder Options

- **STD – Standard Cylinder.** Cylinder will provide consistent door control throughout the opening & closing cycle. Independent backcheck, main speed and latch speed are field adjustable regulation valves and incorporated into the cylinder.
- **DEL – Delay Action Cylinder.** Cylinder will provide consistent door control throughout the opening & closing cycle but includes an extra regulation valve that allows the door to slowly close (delay) as it begins to send the door back to latch (approximately 70°). Independent backcheck, main speed and latch speed are field adjustable regulation valves and incorporated into the cylinder.

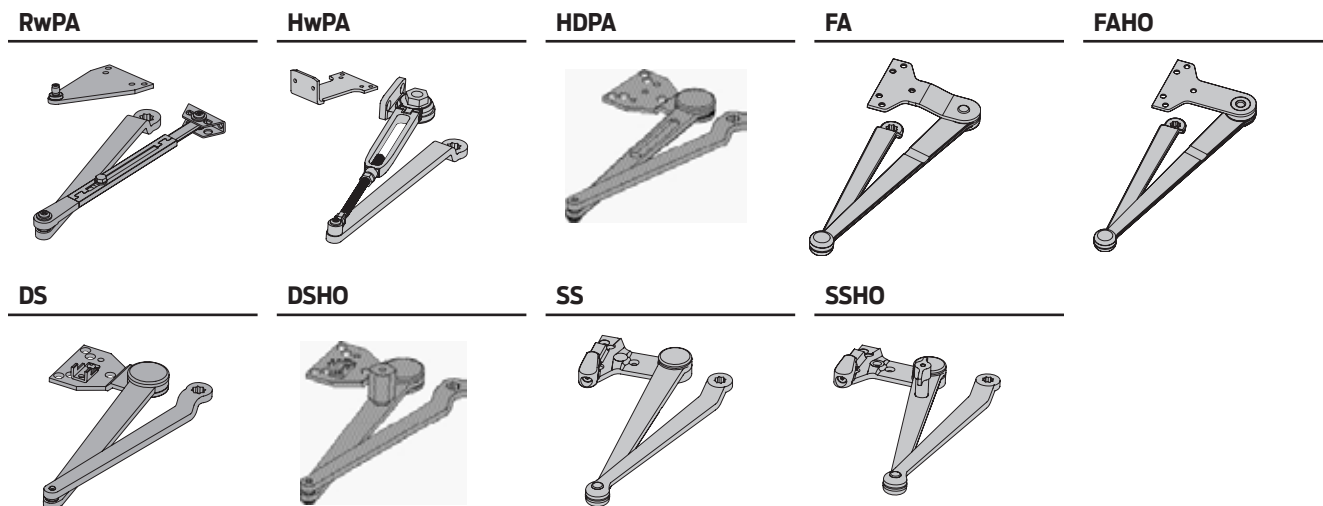
### Cover Options

- **STD – Standard Cover.** Cover will enclose the cylinder body with the exception of the unused pinion shaft. A shaft cover will be included to cover the unused pinion shaft.
- **SLIM – Slim Cover.** Cover will enclose the cylinder body with the exception of the unused pinion shaft. A shaft cover will be included to cover the unused pinion shaft.
- **FULL – Full Cover.** Cover will enclose the entire cylinder body, including the unused pinion shaft.

### Arm Options

- **Rw/PA – Regular Arm with Parallel Arm Bracket.** Includes adjustable forearm assembly to accommodate a variety of door types and frame conditions. Parallel Arm (PA) bracket allows closer to be installed on the 'push' side of the door in a parallel arm type configuration.
- **Hw/PA – Hold Open Arm with Parallel Arm Bracket.** Includes adjustable forearm assembly to accommodate a variety of door types and frame conditions. Parallel Arm (PA) bracket allows closer to be installed on the 'push' side of the door in a parallel arm type configuration. Hold open function adjustable at the arm shoe.
- **HD/PA – Heavy Duty Arm with Parallel Arm Bracket.** Includes a stamped steel main arm and forearm for added durability in potentially high traffic and/or abusive applications. Parallel Arm (PA) bracket is a permanent feature, installation on 'push' side of the door in a parallel arm type configuration is required.

- **FA – Forged Arm.** Extra heavy duty arm with parallel arm bracket. Includes a forged steel main arm and forearm for maximum durability in high traffic and/or abusive applications. Parallel Arm (PA) bracket is a permanent feature, installation on 'push' side of the door in a parallel arm type configuration is required.
- **FA/HO – Forged Arm with Hold Open.** Extra heavy duty arm with parallel arm bracket that incorporates a hold open feature. Includes a forged steel main arm and forearm for maximum durability in high traffic and/or abusive applications. Parallel Arm (PA) bracket is a permanent feature, installation on 'push' side of the door in a parallel arm type configuration is required.
- **DS – Dead Stop Arm.** Heavy duty arm with parallel arm bracket that incorporates a positive mechanical stop. Includes a stamped steel main arm and forearm for added durability in potentially high traffic and/or abusive applications. Parallel Arm (PA) bracket is a permanent feature, installation on 'push' side of the door in a parallel arm type configuration is required.
- **DS/HO – Dead Stop Arm with Hold Open.** Heavy duty arm with parallel arm bracket that incorporates a positive mechanical stop and hold open feature. Includes a stamped steel main arm and forearm for added durability in potentially high traffic and/or abusive applications. Parallel Arm (PA) bracket is a permanent feature, installation on 'push' side of the door in a parallel arm type configuration is required. Hold open function is manually selected with a 'thumb turn' feature built into the main portion of the arm.
- **SS – Spring-n-Stop Arm.** Extra heavy duty arm with parallel arm bracket that incorporates an integral spring stop. Includes a forged steel main arm and forearm for maximum durability in high traffic and/or abusive applications. Parallel Arm (PA) bracket is a permanent feature, installation on 'push' side of the door in a parallel arm type configuration is required.
- **SS/HO – Spring-n-Stop Arm with Hold Open.** Extra heavy duty arm with parallel arm bracket that incorporates an integral spring stop and hold open feature. Includes a forged steel main arm and forearm for maximum durability in high traffic and/or abusive applications. Parallel Arm (PA) bracket is a permanent feature, installation on 'push' side of the door in a parallel arm type configuration is required.



### Fastener Pack Option

- **TBWS – Through Bolt, Wood & Machine Screws.** Fasteners for installation on wood, hollow metal or aluminum store front type doors. Through bolts for installations on 1¾" thick, hollow core doors are included. SC60A/SC70A/SC80A/SC93A/SC94A faster pack will contain TBWS and Self-Reaming and Tapping Screws

### ADA Accessibility Requirements

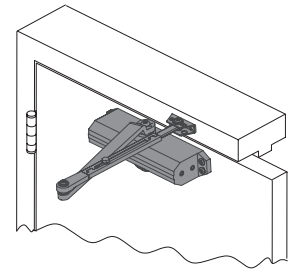
- **Product Information – Closers are preset for standard spring power or can be adjusted in the field to generate the 5lbs. of opening force (36" wide, interior door) requirements for ADA (Sections 4.13.10 and/or 4.13.11) and the ANSI Standard A117.1 (Sections 4.13.10 and/or 4.13.11).**
- **Product Information – Closers installed with the delay (DEL) cylinder option will also comply with the additional advisory suggestions for ADA (Section 4.13.10) and ANSI A117.1 (Section 4.13.10).**

Prices subject to change without notice

## SC60/SC60A Series

Light-Medium Duty

Model	Arm Type	Shipping Weight	AL (689) DKB (695) BR (696) MTBK (622) <sup>1</sup>
SC61/SC61A	RwPA	7	194
SC61/SC61A	HwPA	7	222
SC61/SC61A	HDPA <sup>1</sup>	7	222
SC61/SC61A	DS	9	245
SC61/SC61A	DSHO <sup>1</sup>	9	271
SC61/SC61A	SS <sup>1</sup>	9	323
SC61/SC61A	SSHO <sup>1</sup>	9	343



SC60/60A Series

**REFERENCE NOTES:**

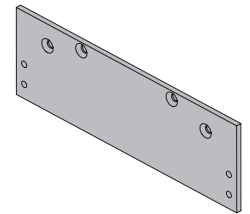
- 1) SC61 HD, DS/HO, SS, and SS/HO are not available in matte black.
- 2) SC61/SC61A ships standard as LESS cover.
- 3) SC61/SC61A is fully adjustable 1-5

### Closer Options

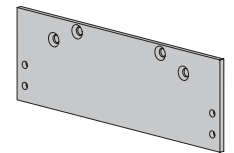
Suffix	Description	List Adder
SLIM	SLIM Cover	17

### Closer Parts and Accessories

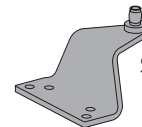
Model	Description	Shipping Weight	List
SC61/SC61A-3071	Standard Cylinder	9	120
SC60/SC60A-72	Slim Cover	1	17
SC60/SC60A-3077/PA	Regular Arm w/ PA Bracket	3	75
SC60/SC60A-3049/PA	Hold Open Arm w/ PA Bracket	3	103
SC60/SC60A-3077HD	Heavy Duty Parallel Arm <sup>1</sup>	3	103
SC60/SC60A-3077DS	Dead Stop Parallel Arm	5	123
SC60/SC60A-3049DS	Hold Open Dead Stop Parallel Arm <sup>1</sup>	5	151
SC60/SC60A-3077SS	Spring N Stop Arm <sup>1</sup>	5	202
SC60/SC60A-3049SS	Hold Open Spring N Stop Arm <sup>1</sup>	5	225
SC60/SC60A-18	Mounting Plate - Top Jamb	2	38
SC60/SC60A-18PA	Mounting Plate - Push Side	2	38
SC60/SC60A-30	Cush Shoe Support	1	25
SC60/SC60A-61	Blade Stop Spacer	1	29
SC60/SC60A-62A	Offset Auxiliary Shoe	1	33
043156626427	SC60A/80A Standard Screw Pack AL Finish replacing 42824		12
043156626465	SC60A/80A Standard Screw Pack DKB Finish replacing 42833		12
043156626441	SC60A/80A Standard Screw Pack BR Finish replacing 42840		12
043156626434	SC60A/80A Screw Pack for Affixed Parallel Arm Shoe (AL) - in addition to 043156626427		12
043156626472	SC60A/80A Screw Pack for Affixed Parallel Arm Shoe (DKB) - in addition to 043156626465		12
043156626458	SC60A/80A Screw Pack for Affixed Parallel Arm Shoe (BR) - in addition to 043156626441		12
043156618422	SC60A/80A PINION CAP (AL)		7
043156618446	SC60A/80A PINION CAP (DKB)		7
043156618439	SC60A/80A PINION CAP (BR)		7
043156618453	SC60/80 PINION CAP (MTBK)		7



SC60A-18



SC60A-18PA



SC60A-62A

**REFERENCE NOTES:**

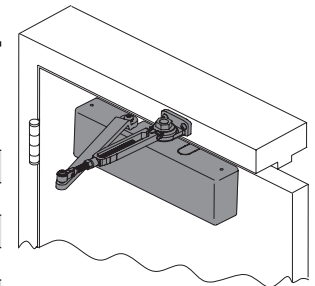
- 1) SC61, SS, and SS/HO arms are not available in matte black.
- 2) Matte Black and Dark Bronze Closers share the same screw finish.

Prices subject to change without notice

**SC70/SC70A Series**

Heavy Duty

Model	Arm Type	Shipping Weight	AL (689) DKB (695) BR(696) MTBK (622) <sup>1</sup>
SC71/SC71A	RwPA	10	383
SC71/SC71A	HwPA	10	409
SC71/SC71A	HDPA	11	409
SC71/SC71A	FA <sup>1</sup>	11	429
SC71/SC71A	FAHO <sup>1</sup>	11	458
SC71/SC71A	DS	11	431
SC71/SC71A	DSHO <sup>1</sup>	12	460
SC71/SC71A	SS <sup>1</sup>	12	511
SC71/SC71A	SSHO <sup>1</sup>	12	532



SC70/SC70A Series

**REFERENCE NOTES:**

- 1) SC71 FA, FA/HO, SS, and SS/HO are not available in matte black.
- 2) SC71 ships standard with a FULL Cover.
- 3) SC71 is fully adjustable 1-6

**Closer Options**

Suffix	Description	List Adder
DEL <sup>1</sup>	Delayed Action Cylinder	34

**REFERENCE NOTE:**

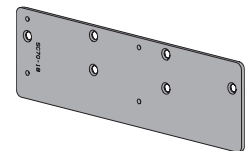
- 1) Delay Action is not available in matte black.

**Closer Parts and Accessories**

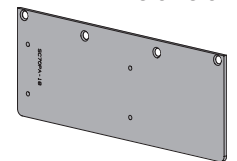
Model	Description	Shipping Weight	List
SC71/SC71A-3071	Standard Cylinder	12	287
SC71/SC71A-3071DEL	Delay Cylinder <sup>1</sup>	12	328
SC70/SC70A-72	FULL Cover	1	21
SC70/SC70A-3077/PA	Regular Arm w/ PA Bracket	3	75
SC70/SC70A-3049/PA	Hold Open Arm w/ PA Bracket	3	103
SC70/SC70A-3077HD	Heavy Duty Parallel Arm	3	103
SC70/SC70A-3077FA	Forged Parallel Arm <sup>1</sup>	3	121
SC70/SC70A-3049FA	Hold Open Forged Parallel Arm <sup>1</sup>	3	148
SC70/SC70A-3077DS	Dead Stop Parallel Arm	5	123
SC70/SC70A-3049DS	Hold Open Dead Stop Parallel Arm <sup>1</sup>	5	151
SC70/SC70A-3077SS	Spring N Stop Arm <sup>1</sup>	5	202
SC70/SC70A-3049SS	Hold Open Spring N Stop Arm <sup>1</sup>	5	225
SC70/SC70A-18	Narrow Frame Back Plate	3	66
SC70/SC70A-18PA	Narrow Top Rail Drop Plate	4	66
SC70/SC70A-30	Cush Shoe Support	1	25
SC70/SC70A-61	Blade Stop Spacer	1	29
SC70/SC70A-62A	Offset Auxiliary Shoe	1	33
043156649228	SC70A STD SCREW PACK AL		12
043156649242	SC70A STD SCREW PACK DKB		12
043156649235	SC70A STD SCREW PACK BR		12

**REFERENCE NOTE:**

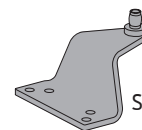
- 1) SC71/SC71A FA, FA/HO, SS, and SS/HO arms are not available in matte black.
- 2) Matte Black and Dark Bronze Closers share the same screw finish.



SC70/SC70A-18



SC70/SC70A-18PA



SC70/SC70A-62A

**CLOSERS**

Surface Mount / Mechanical

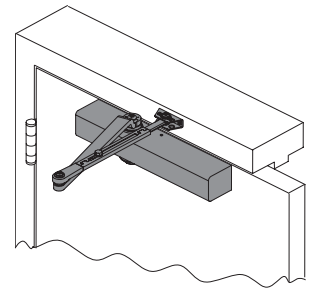
SC70/SC70A

Prices subject to change without notice

## SC80/SC80A Series

Medium Duty

Model	Arm Type	Shipping Weight	AL (689) DKB (695) BR (696) MTBK (622) <sup>1</sup>
SC81/SC81A	RwPA	8	245
SC81/SC81A	HwPA	8	270
SC81/SC81A	HDPA <sup>1</sup>	10	270
SC81/SC81A	DS	10	294
SC81/SC81A	DSHO <sup>1</sup>	10	320
SC81/SC81A	SS <sup>1</sup>	10	373
SC81/SC81A	SSHO <sup>1</sup>	10	393



SC80/SC80A  
(w/ full cover shown)

**REFERENCE NOTES:**

- 1) SC81 delay action, SS, and SS/HO arms are not available in matte black.
- 2) SC81/SC81A ships standard with a SLIM Cover.
- 3) SC81/SC81A is fully adjustable 1-6

### Closer Options

Suffix	Description	List Adder
FC	FULL Cover	8
DEL <sup>1</sup>	Delayed Action Cylinder	34

**REFERENCE NOTE:**

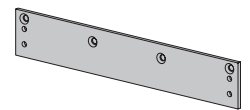
- 1) Delay action is not available in matte black.

### Closer Parts and Accessories

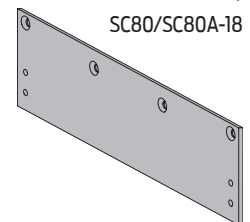
Model	Description	Shipping Weight	List
SC81/SC81A-3071	Standard Cylinder	10	157
SC81-3071DEL	Delay Cylinder <sup>1</sup>	10	196
SC80/SC80A-72	Slim Cover	1	13
SC80/SC81A-72FC	FULL Cover	1	21
SC80/SC81A-3077/PA	Regular Arm w/ PA Bracket	3	75
SC80/SC81A-3049/PA	Hold Open Arm w/ PA Bracket	3	103
SC80/SC81A-3077HD	Heavy Duty Parallel Arm <sup>1</sup>	3	103
SC80/SC81A-3077DS	Dead Stop Parallel Arm	5	123
SC80/SC81A-3049DS	Hold Open Dead Stop Parallel Arm <sup>1</sup>	5	151
SC80/SC81A-3077SS	Spring N Stop Arm <sup>1</sup>	5	202
SC80/SC81A-3049SS	Hold Open Spring N Stop Arm <sup>1</sup>	5	225
SC80/SC81A-18	Mounting Plate - Top Jamb	2	38
SC80/SC81A-18FC	Mounting Plate - Top Jamb for FULL Cover	2	38
SC80/SC81A-18PA	Mounting Plate - PA	2	38
SC80/SC81A-18PAFC	Mounting Plate - PA for FULL Cover	2	38
SC80/SC81A-30	Cush Shoe Support	1	25
SC80/SC81A-61	Blade Stop Spacer	1	29
SC80/SC81A-62A	Offset Auxiliary Shoe	1	33
043156626427	SC60A/80A Standard Screw Pack AL		12
043156626465	SC60A/80A Standard Screw Pack DKB		12
043156626441	SC60A/80A Standard Screw Pack BR		12
043156626434	SC60A/80A Screw Pack for Affixed Parallel Arm Shoe (AL) - in addition to 043156626427		12
043156626472	SC60A/80A Screw Pack for Affixed Parallel Arm Shoe (DKB) - in addition to 043156626465		12
043156626458	SC60A/80A Screw Pack for Affixed Parallel Arm Shoe (BR) - in addition to 043156626441		12
043156618422	SC60A/80A PINION CAP (AL)		7
043156618446	SC60A/80A PINION CAP (DKB)		7
043156618439	SC60A/80A PINION CAP (BR)		7
043156618453	SC60/80 PINION CAP (MTBK)		7

**REFERENCE NOTE:**

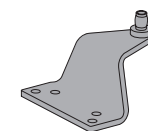
- 1) SC80A delay action, SS, and SS/HO arms are not available in matte black.
- 2) Matte Black and Dark Bronze Closers share the same screw finish.



SC80/SC80A-18



SC80/SC80A-18PA



SC80/SC80 A-62A

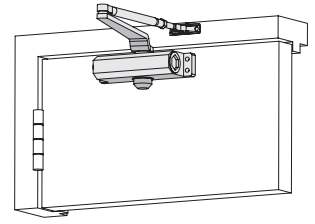
Prices subject to change without notice



**SC90/SC90A Series**

Light- Residential Duty

Model	Arm Type	Size	Shipping Weight	AL (689) DKB (695)
SC91/SC91A	RwPA	1	5	143
SC91/SC91A	HwPA	1	5	169
SC93/SC93A	RwPA	3	5	143
SC93	HwPA	3	5	169
SC94/SC94A	RwPA	4	5	143
SC94	HwPA	4	5	169



SC90/SC90A Series  
(SC91 shown)

**REFERENCE NOTES:**

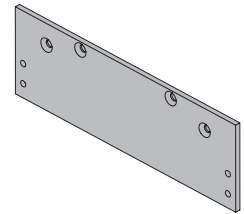
- 1) SC90 series ship standard as LESS Cover.
- 2) Less Back Check option is available on SC91 RWPA AL, SC93 RWPA AL, SC94 RWPA AL & DKB at \$10 Less List

**Closer Options**

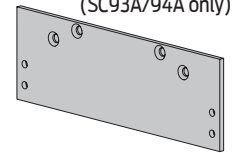
Suffix	Description	List Adder
STD	Standard Cover (Only fits 93 and 94 models)	20

**Closer Parts and Accessories**

Model	Description	Shipping Weight	List
SC90/SC90A-18	Mounting Plate - Top Jamb	2	38
SC90/SC90A-18PA	Mounting Plate - Push Side	2	38
043156654352	SC90 PINION CAP (ALUM)		7
043156654369	SC90 PINION CAP (DRKBRZ)		7



SC90/SC90A-18  
(SC93A/94A only)



SC90/SC90A-18PA  
(SC93A/94A only)

**CLOSERS**

Surface Mount /  
Mechanical

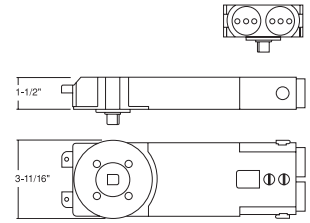
SC90/SC90A

Prices subject to change without notice

# OHC100A Series

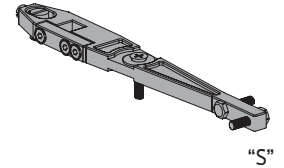
## OHC100A Series - Overhead Concealed (90° - without Hold Open)

Model	Door Swing Degree/ Hold Open Option	Arm /Floor Pivot Type	Adjustable Size	Shipping Weight	Standard Finish DKBRZ (695)
OHC100A	SO90 (90° - w/o Hold Open)	EL-DP	3-5	16	348
OHC101A	SO90 (90° - w/o Hold Open)	EL-DP	1-3	16	348
OHC100A	SO90 (90° - w/o Hold Open)	VO*	3-5	16	348
OHC101A	SO90 (90° - w/o Hold Open)	VO*	1-3	16	348
OHC100A	SO90 (90° - w/o Hold Open)	SL/GE	3-5	16	348
OHC101A	SO90 (90° - w/o Hold Open)	SL/GE	1-3	16	348



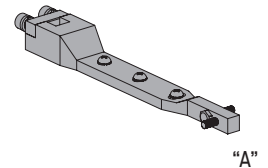
## OHC100A Series - Overhead Concealed (90° - with Hold Open)

Model	Door Swing Degree/ Hold Open Option	Arm /Floor Pivot Type	Adjustable Size	Shipping Weight	Standard Finish DKBRZ (695)
OHC100A	HO90 (90° - w/ Hold Open)	EL-DP	3-5	16	348
OHC101A	HO90 (90° - w/ Hold Open)	EL-DP	1-3	16	348
OHC100A	HO90 (90° - w/ Hold Open)	VO*	3-5	16	348
OHC101A	HO90 (90° - w/ Hold Open)	VO*	1-3	16	348
OHC100A	HO90 (90° - w/ Hold Open)	SL/GE	3-5	16	348
OHC101A	HO90 (90° - w/ Hold Open)	SL/GE	1-3	16	348



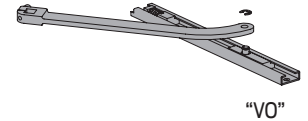
## OHC100A Series - Overhead Concealed (105° - without Hold Open)

Model	Door Swing Degree/ Hold Open Option	Arm /Floor Pivot Type	Adjustable Size	Shipping Weight	Standard Finish DKBRZ (695)
OHC100A	S105 (105° - w/o Hold Open)	EL-DP	3-5	16	348
OHC101A	S105 (105° - w/o Hold Open)	EL-DP	1-3	16	348
OHC100A	S105 (105° - w/o Hold Open)	VO*	3-5	16	348
OHC101A	S105 (105° - w/o Hold Open)	VO*	1-3	16	348
OHC100A	S105 (105° - w/o Hold Open)	SL/GE	3-5	16	348
OHC101A	S105 (105° - w/o Hold Open)	SL/GE	1-3	16	348



## OHC100A Series - Overhead Concealed (105° - with Hold Open)

Model	Door Swing Degree/ Hold Open Option	Arm /Floor Pivot Type	Adjustable Size	Shipping Weight	Standard Finish DKBRZ (695)
OHC100A	H105 (105° - w/ Hold Open)	EL-DP	3-5	16	348
OHC101A	H105 (105° - w/ Hold Open)	EL-DP	1-3	16	348
OHC100A	H105 (105° - w/ Hold Open)	VO*	3-5	16	348
OHC101A	H105 (105° - w/ Hold Open)	VO*	1-3	16	348
OHC100A	H105 (105° - w/ Hold Open)	SL/GE	3-5	16	348
OHC101A	H105 (105° - w/ Hold Open)	SL/GE	1-3	16	348



### REFERENCE NOTES:

- \*VO Style offset arm and track available in (AL) (689) or (DKBRZ) (695)
- OHC100A and OHC101A Series Closers utilize a 'Hold-Open' feature within the cylinder assembly.
- OHC100A Series Closers (Sizes 3-5) do not meet ADA force requirements.

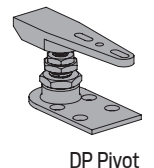
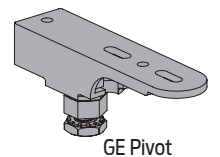
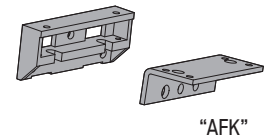
### Closer Parts and Accessories

Model	Description	Shipping Weight	AL (689) or DKBRZ (695)
OHC100-S090	Standard 90° Cylinder (Adjustable Sizes 3-5)	12	308
OHC101-S090	Standard 90° Cylinder (Adjustable Sizes 1-3)	12	308
OHC100-H090	Hold Open 90° Cylinder (Adjustable Sizes 3-5)	12	308
OHC101-H090	Hold Open 90° Cylinder (Adjustable Sizes 1-3)	12	308
OHC100-S105	Standard 105° Cylinder (Adjustable Sizes 3-5)	12	308
OHC101-S105	Standard 105° Cylinder (Adjustable Sizes 1-3)	12	308
OHC100-H105	Hold Open 105° Cylinder (Adjustable Sizes 3-5)	12	308
OHC101-H105	Hold Open 105° Cylinder (Adjustable Sizes 1-3)	12	308
OHC100-AFK	Mounting Bracket & Hardware	1	28
OHC100-EL	"A" Style End Load Arm	2	82
OHC100-SL	"S" Style Side Load Arm	2	58
OHC100-VO*	"VO" Style Offset Arm & Track	4	82
OHC100-GE	Center Hung Floor Pivot used with Side Load arm	2	48
OHC100-DP	Center Hung Floor Pivot used with End Load arm	2	48

\*VO Style offset arm and track available in AL(689) or DKBRZ (695).

### REFERENCE NOTES:

- OHC100 series cylinder are available only in DKBRZ (695)
- Mounting Bracket/Hardware and Arms are available only in AL (689) with the exception of VO Style.
- \*VO style offset arm and track are available in both AL (689) or DKBRZ (695).



Prices subject to change without notice

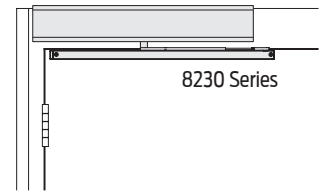
## 8200 Series

### Auto Operator

Model	Description	Shipping Weight	AL (689)
8231	Pull Side (STD)	41	2,618

**REFERENCE NOTES:**

1) Ships with standard 26" length cover.



8230 Series

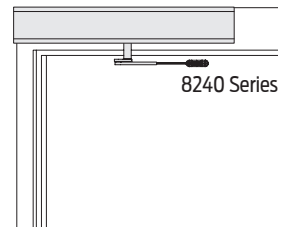
### Auto Operator Parts

Model	Description	List
8230-3077T	Standard Arm	155
8230-3077PLCM	Standard Arm w/Track	225
8230-3038	Track	79
8230-72MC	Metal Cover	123
8230-MS	Screw Pack	20
8230-3018	Mounting Bracket	300
8230-3034	Track Roller	21
8230-3454	Motor Gearbox Assembly	1,625
8230-3462	Control Box	1,075
8230-3498-2A	A/C Power Cable	43

Model	Description	Shipping Weight	AL (689)
8242	Push Side (REG)	41	2,618

**REFERENCE NOTES:**

1) Ships with standard 26" length cover.



8240 Series

### Auto Operator Parts

Model	Description	List
8240-3077	Regular Arm	125
8240-72MC	Metal Cover	123
8240-MS	Screw Pack	20
8240-77	Main Arm	116
8240-79	Rod	21
8240-3018	Mounting Bracket	300
8240-3454	Motor Gearbox Assembly	1,625
8240-3462	Control Box	1,075
8240-3498-2A	A/C Power Cable	43

Prices subject to change without notice

## 8310 Series

## Actuators & Accessories

### 6" Round – Text w/ Logo

Model	Description	List
8310-852T	Push Plate, Wall Mount	321
8310-869F	Mounting Box, Flush	195
8310-869S	Mounting Box, Surface	195
8310-802	Weather Ring	29



8310-852T

### 1 1/2" x 4 3/4" Jamb – Text w/ Logo

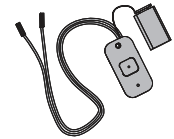
Model	Description	List
8310-818T	Push Plate, Jamb Mount	212
8310-819F	Mounting Box, Flush	46
8310-819S	Mounting Box, Surface	46



8310-818T

### Wireless Transmitters & Receiver

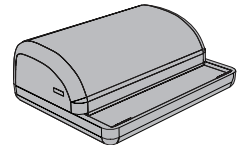
Model	Description	List
8310-844	Transmitter, Wall Mount	241
8310-844J	Transmitter, Jamb Mount	241
8310-861	Transmitter, Handheld	241
8310-865	Receiver	253



8310-844

#### REFERENCE NOTES:

1) Additional actuators and accessories are available through LCN - please see the LCN Price List.



8310-865

Prices subject to change without notice

## Standard Features

- UL294 Listed for Access Control
  - Class 2 rated power limited output\*
  - Universal 120-240 VAC input
  - Regulated and filtered DC outputs
  - AC input, battery and DC output LED indications
  - Plug and play connectors for optional distribution boards
  - AC input status indication on outside cover
  - AC monitoring
  - 14"H x 12"W x 4"D enclosure
- \* PS906 is Class 2 when used with 900-8P option board

## 1. Select Power Supply

Model No.	Description	List Price
PS902	Base Power Supply (2A @ 12/24 VDC- field selectable) (approx. weight: 9 lbs) -PS902 is able to accept a total of one optional distribution board, plus one fire alarm relay along with one battery backup board and up to two 7A/hr batteries	297.00
PS904	Base Power Supply (4A @ 12/24 VDC- field selectable) (approx. weight: 11 lbs) - PS904 is able to accept a total of two optional distribution boards, plus one battery backup board and up to two 7A/hr batteries	563.00
PS906	Base Power Supply (6A @ 12/24 VDC- field selectable) (approx. weight: 7 lbs) - PS906 is able to accept a total of three optional distribution boards or two optional boards with battery backup board and two 7A/hr batteries	871.00
PS914	Base Power Supply (4A w/ 16A inrush @ 12/24 VDC- field selectable) (approx. weight: 9 lbs) - PS914 is able to accept a total of two optional boards, plus one battery backup board and two 7A/hr batteries	853.00
PS914RFK	The PS914RFK allows the retrofit of the PS914 into an existing PS873 cabinet.	998.00
BAA	Buy America Act compliant power supply option will be labeled as "Assembled in the U.S.A. with U.S. and foreign materials"	46.00

**FALCON "EL" devices require the PS914 to operate.**

**When specifying PS914 power supply for use with "EL" Electric Latch Retraction devices, the 2RS is furnished when board option not specified.**

## 2. Select Optional Distribution Board with or without FA (Fire Alarm Relay)

Model No.	Description	Part #	List Price
900-4R	Independently controlled relays	44489912-00	200.00
900-4R-FA	Independently controlled relays with FA	44489912-00 & 44487247-00	274.00
900-2RS	2 Relay board output	44489896-00	204.00
900-2RS-FA	2 Relay board output with FA	44489896-00 & 44487247-00	278.00
900-4RL	4 Relay board integrated logic for controlling security interlocks, auto operators and time delays	44489920-00	551.00
900-4RL-FA	4 Relay board integrated logic for controlling security interlocks, auto operators and time delays with FA	44489920-00 & 44487247-00	625.00
900-8F	8 fuse protected outputs	44489946-00	74.00
900-8F-FA	8 fuse protected outputs with FA	44489946-00 & 44487247-00	148.00
900-8P	8 PTC protected outputs	44489938-00	74.00
900-8P-FA	8 PTC protected outputs with FA	44489938-00 & 44487247-00	148.00
900-BBK	Battery Backup Kit (includes two 7A/hr batteries)	44489961-00	288.00
900-BB	Battery Backup Board Only (sold separately)	44489953-00	144.00
900-BAT	Batteries Only (two 7A/hr batteries, sold separately)	44487155-00	144.00

\* For field installation, use model number. Example: 900-2RS.

## 3. Select Other Power Supply Options

Model No.	Description	Part #	List Price
900-FA	Fire Alarm Relay (EIR) module is a plug-in relay to provide an interface with fire or other emergency override systems PS902; may be installed directly on power supply or may be used with optional distribution boards PS904/PS906/PS914; must be used with optional distribution boards. If an optional board is not listed the 900-8F-FA will be provided.	44487247-00	74.00
900-KL	Key Lock Cover (not available with BAA)	44486850-00	46.00

### NOTES:

- 1) PS902, PS904, PS 906 and PS914 power supplies require connection to AC line voltage. Installation and all electrical connections (high and low voltage) should be performed by a qualified electrical contractor.
- 2) Power Supplies and Power Supply Options are not subject to standard discount terms.

Prices subject to change without notice

# Power Transfers

## Electric Power Transfers

Model No.	Description	SP28	SP313	Weight lbs
EPT 2	Two 18 gauge wires	555	555	2.5
EPT 10	Ten 24 gauge wires	590	590	2.5

**NOTE:**  
Electric Power Transfers are not subject to standard discount terms.

## EPT Options

Suffix	Description	List Add
CON	Cross-category solution using common interconnect components for electrified options. <b>Available on the EPT10.</b> Specify CON. See wire harness options in below Allegion Connect table.	\$13.00
BAA	<b>"Buy America Act" compliant EPT option - No additional charge</b> will be labeled as "Assembled in the U.S.A. with U.S. and foreign materials"	N/C

## Allegion Connect Harnesses - Prices listed are net, discounting does not apply

Part Number	Description	Price Each
<b>Harnesses with Molex Connectors on both ends (for use with Hollow Metal Doors)</b>		
CON-6	6" Wire Harness (internal p/n 106190-00)	\$14.00
CON-12	12" Wire Harness (internal p/n 106191-00)	18.00
CON-26	26" Wire Harness (internal p/n 106192-00)	20.00
CON-32	32" Wire Harness (internal p/n 106193-00)	21.00
CON-38	38" Wire Harness (internal p/n 106194-00)	24.00
CON-44	44" Wire Harness (internal p/n 106195-00)	22.00
CON-50	50" Wire Harness (internal p/n 106196-00)	24.00
CON-192	192" Wire Harness (internal p/n 106197-00)	52.00
<b>Harnesses with Molex Connector on one end, crimped pins on other w/ attachable Molex connector (for use with Wood Doors)</b>		
CON-6P	6" Wire Harness (internal p/n 106201-00)	\$17.00
CON-12P	12" Wire Harness (internal p/n 106202-00)	21.00
CON-26P	26" Wire Harness (internal p/n 106203-00)	24.00
CON-32P	32" Wire Harness (internal p/n 106204-00)	25.00
CON-38P	38" Wire Harness (internal p/n 106205-00)	25.00
CON-44P	44" Wire Harness (internal p/n 106206-00)	26.00
CON-50P	50" Wire Harness (internal p/n 106207-00)	27.00
CON-192P	192" Wire Harness (internal p/n 106208-00)	56.00
<b>Harness with Molex Connector on one end, stripped leads on other (for connection to power supply)</b>		
CON-6W	6" extension to power supply (internal p/n 106210-00)	\$17.00
<b>Service Kit</b>		
CON-KIT	Connector Service Kit (internal p/n 050823-00) contains: -100 each male & female terminals -10 each 4-pin and 8-pin male connectors -10 each 4-pin and 8-pin female connectors - 1 extraction tool - CON Adapter Harnesses for electrified hardware are located in the parts section with their corresponding products.	\$133.00

Prices subject to change without notice



## About Allegion

Allegion (NYSE: ALLE) creates peace of mind by pioneering safety and security. As a \$2 billion provider of security solutions for homes and businesses, Allegion employs more than 8,000 people and sells products in more than 120 countries across the world. Allegion comprises 27 global brands, including strategic brands CISA®, Interflex®, LCN®, Schlage® and Von Duprin®.

For more, visit [www.allegion.com](http://www.allegion.com)

KRYPTONITE ■ LCN ■  ■ STEELCRAFT ■ VON DUPRIN